



US00D612366S

(12) **United States Design Patent**
Wikel et al.

(10) **Patent No.:** **US D612,366 S**
(45) **Date of Patent:** **** Mar. 23, 2010**

(54) **HEADSET FOR A COMMUNICATION DEVICE**

(75) Inventors: **Harold L. Wikel**, Muskego, WI (US);
Matt B. Ansley, Muskego, WI (US);
Ryan P. Rye, Duluth, GA (US)

(73) Assignee: **Motorola, Inc.**, Schaumburg, IL (US)

(**) Term: **14 Years**

(21) Appl. No.: **29/334,827**

(22) Filed: **Apr. 2, 2009**

(51) **LOC (9) Cl.** **14-01**

(52) **U.S. Cl.** **D14/223**

(58) **Field of Classification Search** D14/205,
D14/206, 223; 181/129, 130, 135; 379/430,
379/433.01, 433.02, 433.03; 381/380, 381;
455/90.2, 575.2

See application file for complete search history.

(56) **References Cited**

U.S. PATENT DOCUMENTS

D461,791 S	8/2002	Ma	
D471,898 S *	3/2003	Bae	D14/223
D480,386 S *	10/2003	Browne et al.	D14/223
D485,549 S	1/2004	Ma et al.	
D502,171 S *	2/2005	Tang et al.	D14/223
6,868,284 B2 *	3/2005	Bae	455/575.2
D508,485 S *	8/2005	Katsumata	D14/223
D510,337 S *	10/2005	Tages	D14/205
D512,049 S *	11/2005	Yang	D14/223
D520,497 S *	5/2006	Yang	D14/223
D533,540 S *	12/2006	Murray	D14/205
D538,271 S *	3/2007	Kim et al.	D14/223
D538,792 S *	3/2007	Kim et al.	D14/223
D542,267 S *	5/2007	Cha et al.	D14/206
D552,087 S *	10/2007	Wei	D14/223
D552,596 S *	10/2007	Christopher	D14/205
7,289,640 B2 *	10/2007	Tsai et al.	381/380
D554,626 S *	11/2007	Christopher	D14/223
D555,150 S *	11/2007	Christopher et al.	D14/223
D555,151 S *	11/2007	Eklund	D14/223

D559,836 S *	1/2008	Lee	D14/223
D562,310 S *	2/2008	Moon et al.	D14/223
D562,808 S *	2/2008	Gwee	D14/223
D564,500 S *	3/2008	Wang	D14/223
D566,105 S *	4/2008	Yang et al.	D14/223
D566,108 S *	4/2008	Kan	D14/223
D566,692 S *	4/2008	Sade et al.	D14/223
D568,301 S *	5/2008	Kim et al.	D14/223
D573,582 S *	7/2008	Ma	D14/205
D575,277 S *	8/2008	Gaarde et al.	D14/223
D578,516 S *	10/2008	Christopher	D14/223
D597,534 S *	8/2009	Christopher	D14/223
D600,236 S *	9/2009	Sanguinetti et al.	D14/223

OTHER PUBLICATIONS

U.S. Appl. No. 29/305,316, filed Mar. 18, 2008, in the name of Stephen M. Christopher, entitled "Headset for a Communication Device".

U.S. Appl. No. 29/334,828, filed Apr. 2, 2009, in the name of Harold L. Wikel et al, entitled "Headset for a Communication Device".

* cited by examiner

Primary Examiner—Paula Greene

(57) **CLAIM**

The ornamental design for a headset for a communication device, as shown and described.

DESCRIPTION

FIG. 1 is a perspective view of a headset for a communication device showing our new design;

FIG. 2 is a top view thereof;

FIG. 3 is a bottom view thereof;

FIG. 4 is a first side view thereof;

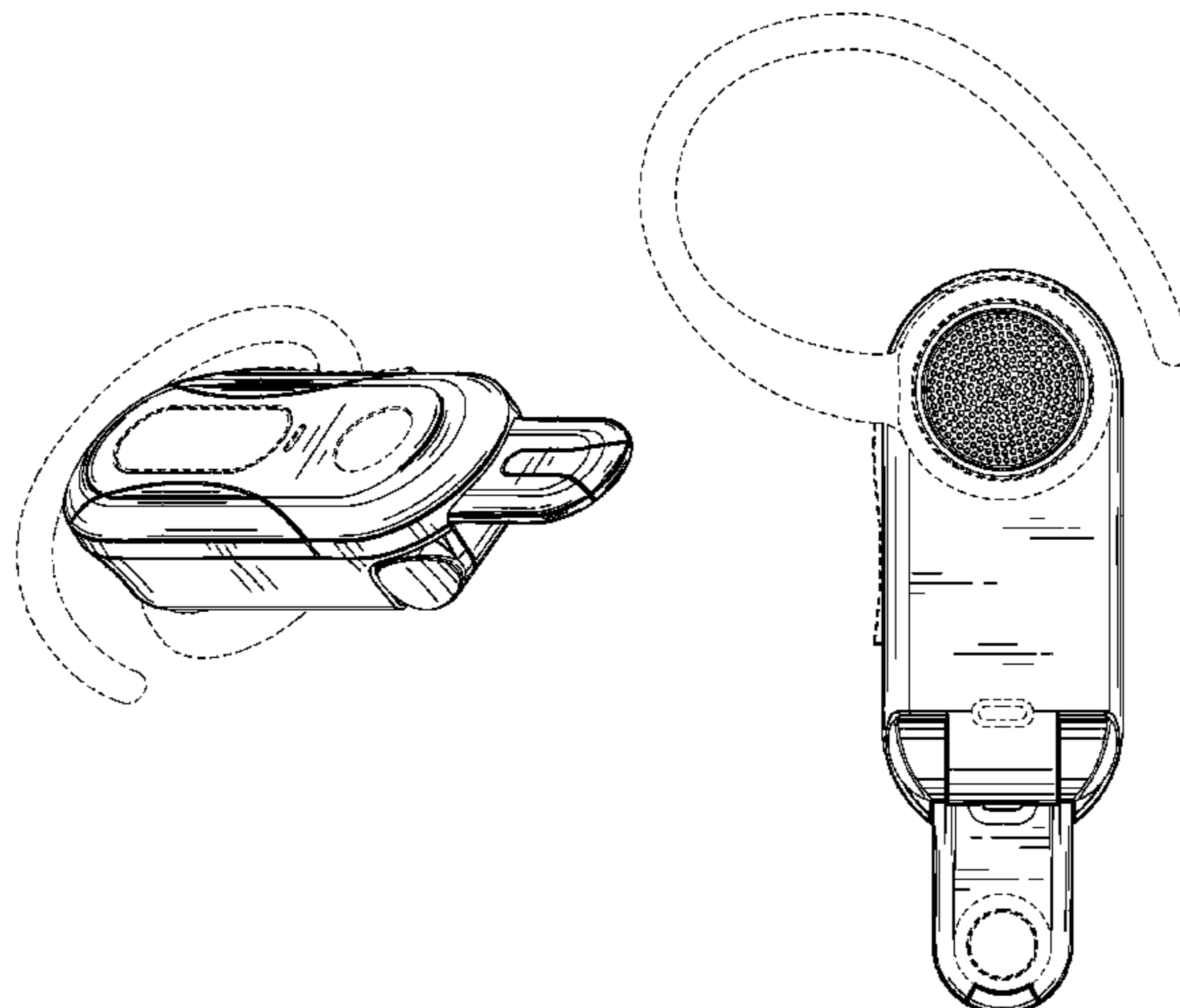
FIG. 5 is a second side view thereof;

FIG. 6 is a rear view thereof; and,

FIG. 7 is a front view thereof.

The broken line in FIGS. 1–7 showing environmental structures is for illustrative purposes and forms no part of the claim design.

1 Claim, 5 Drawing Sheets



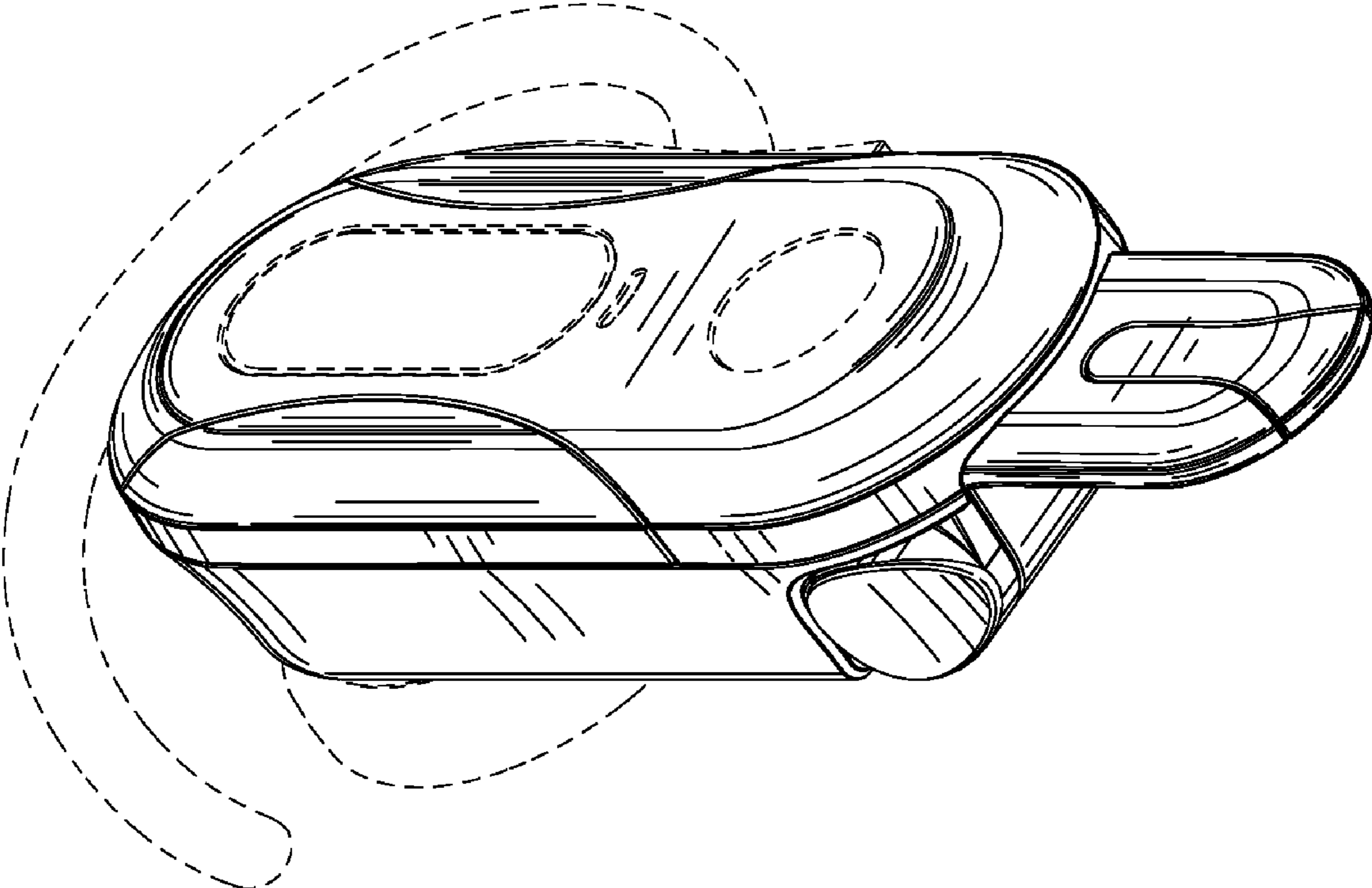


FIG. 1

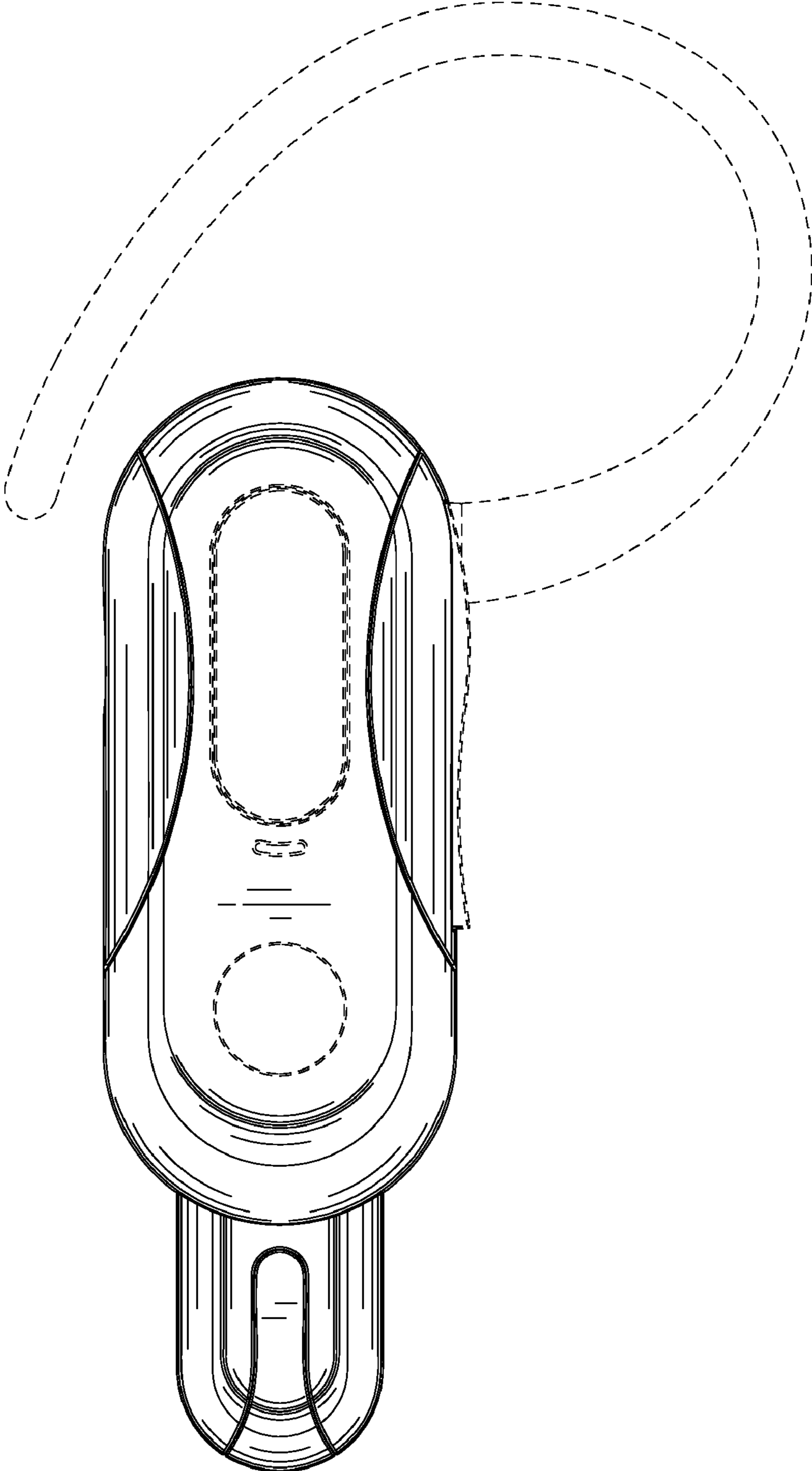


FIG. 2

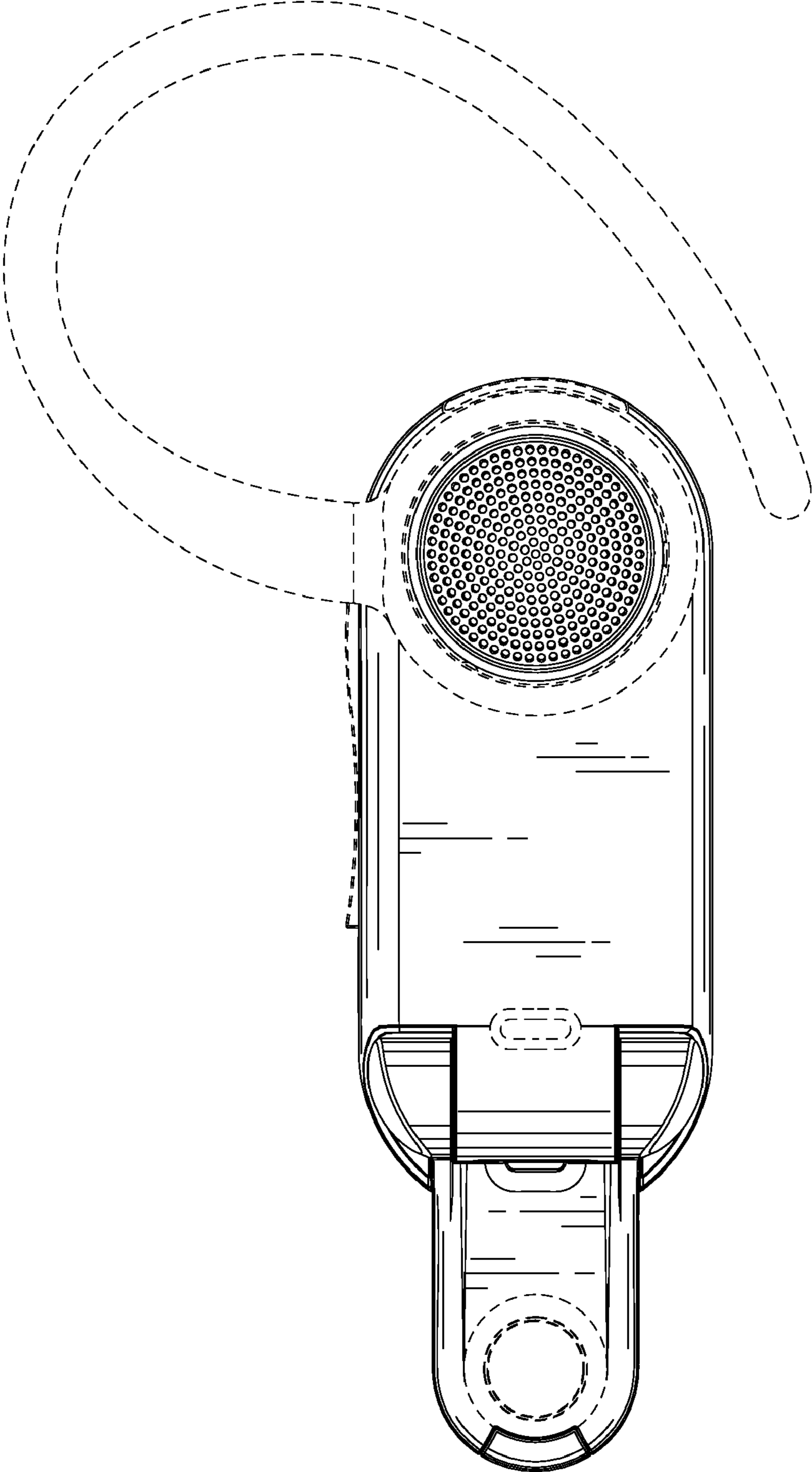


FIG. 3

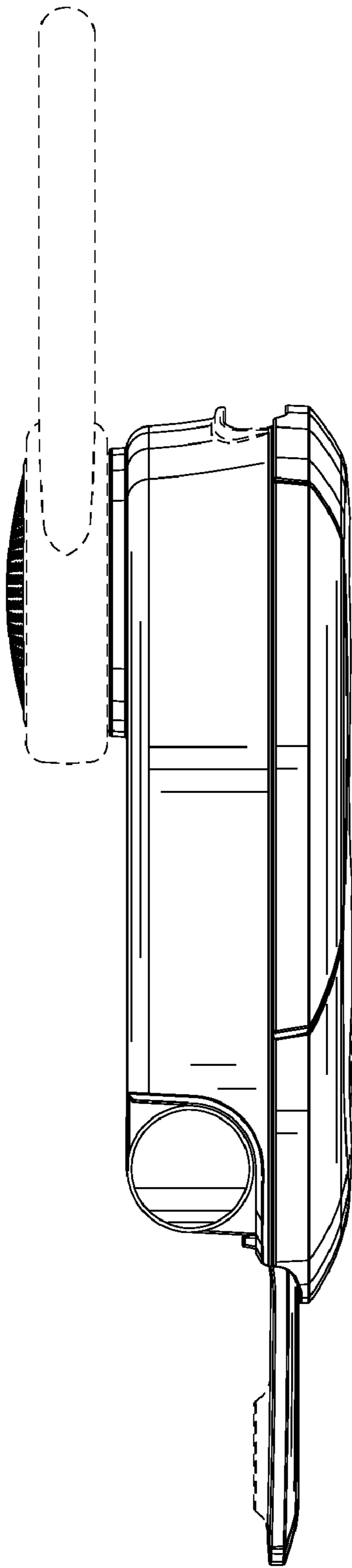


FIG. 4

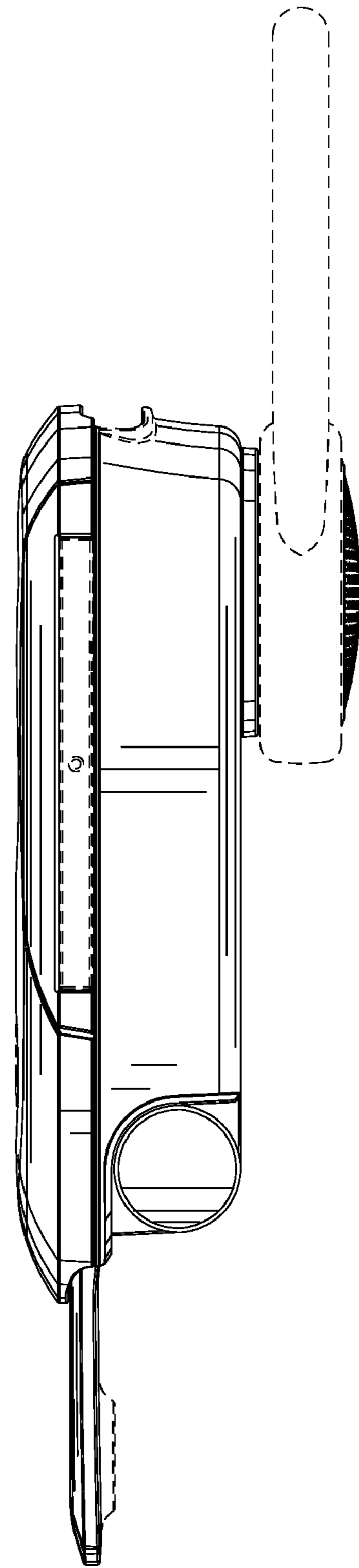


FIG. 5

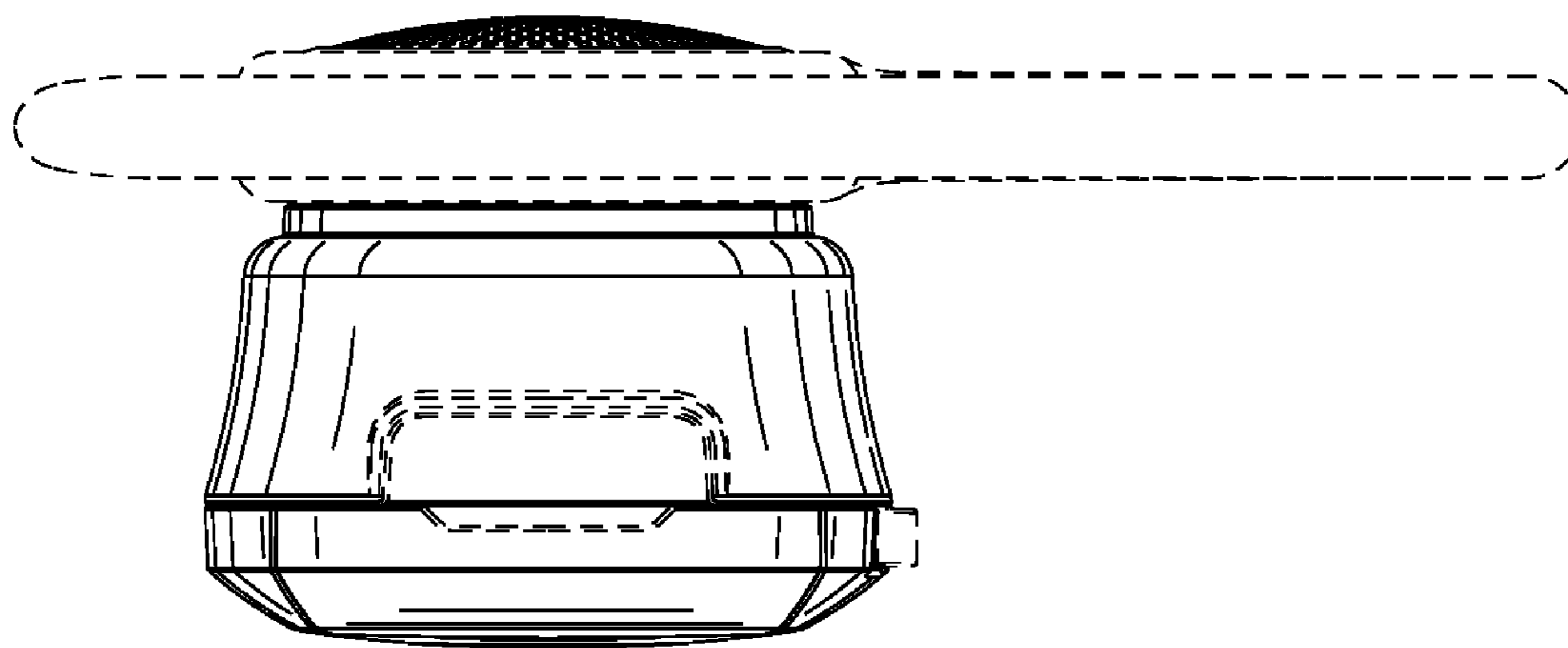


FIG. 6

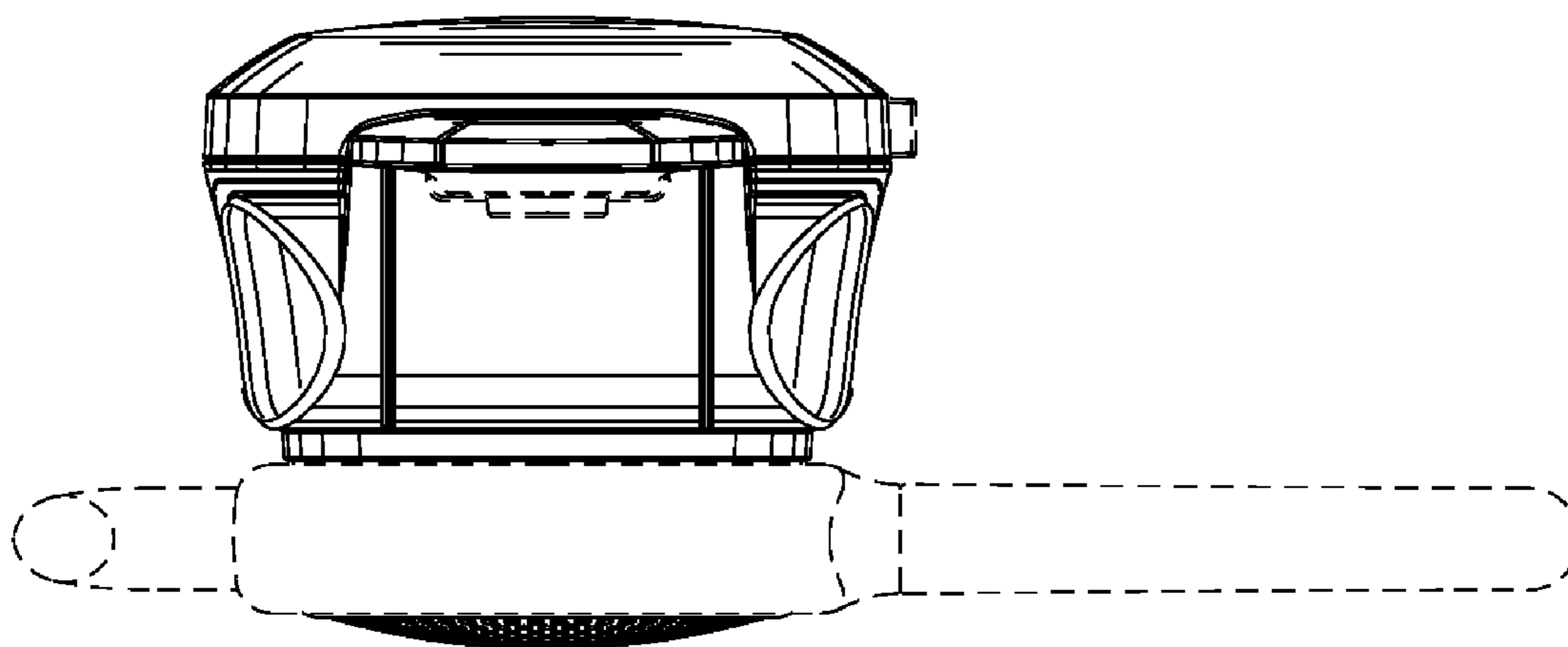


FIG. 7