



US00D612364S

(12) **United States Design Patent**
Kwolek

(10) **Patent No.:** **US D612,364 S**
(45) **Date of Patent:** **** Mar. 23, 2010**

(54) **RECESSED CONTROL KNOB**

(76) Inventor: **Tadeusz Kwolek**, 6073 E. Pioneer Pl.,
Columbus, IN (US) 47203

(**) Term: **14 Years**

(21) Appl. No.: **29/308,637**

(22) Filed: **Jun. 27, 2008**

(51) **LOC (9) Cl.** **14-01**

(52) **U.S. Cl.** **D14/217; D14/215**

(58) **Field of Classification Search** D14/204,
D14/207, 209–217, 172, 496, 162; D13/171–174,
D13/179; D8/310; 181/143–144, 147–148,
181/150–153, 157, 198–199; 381/300–303,
381/306, 332–333, 336, 345, 361–364, 386–388
See application file for complete search history.

(56) **References Cited**

U.S. PATENT DOCUMENTS

D220,268 S * 3/1971 Kliewer D14/496
D240,859 S * 8/1976 Kaye D14/162
D256,798 S * 9/1980 Scholz D14/217

D356,777 S * 3/1995 Katsui et al. D13/179
D378,677 S * 4/1997 Matsumoto et al. D14/496
D527,611 S * 9/2006 Sato D8/310

* cited by examiner

Primary Examiner—Nanda Bondade

(74) *Attorney, Agent, or Firm*—Roberts IP Law

(57) **CLAIM**

The ornamental design for a recessed control knob, as shown.

DESCRIPTION

FIG. 1 is a front isometric view of a recessed control knob of the present invention, showing my new design;

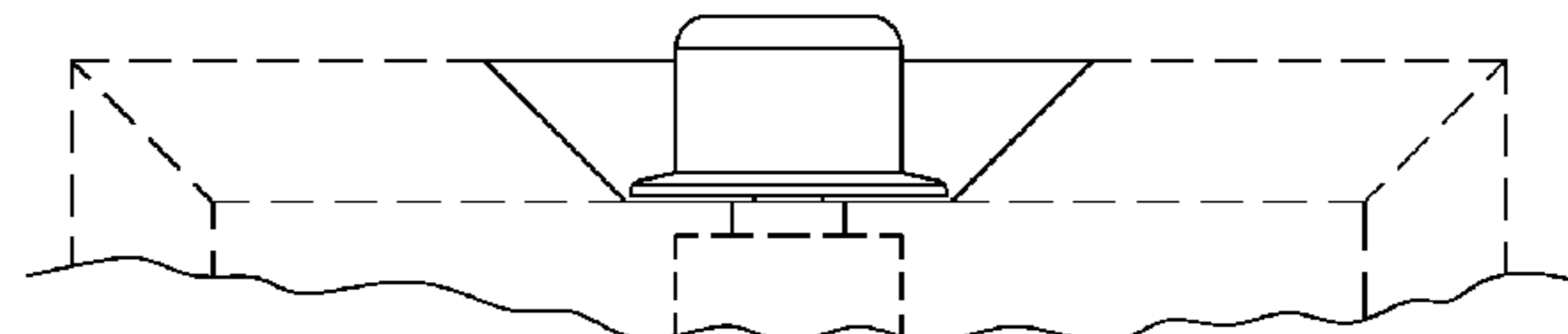
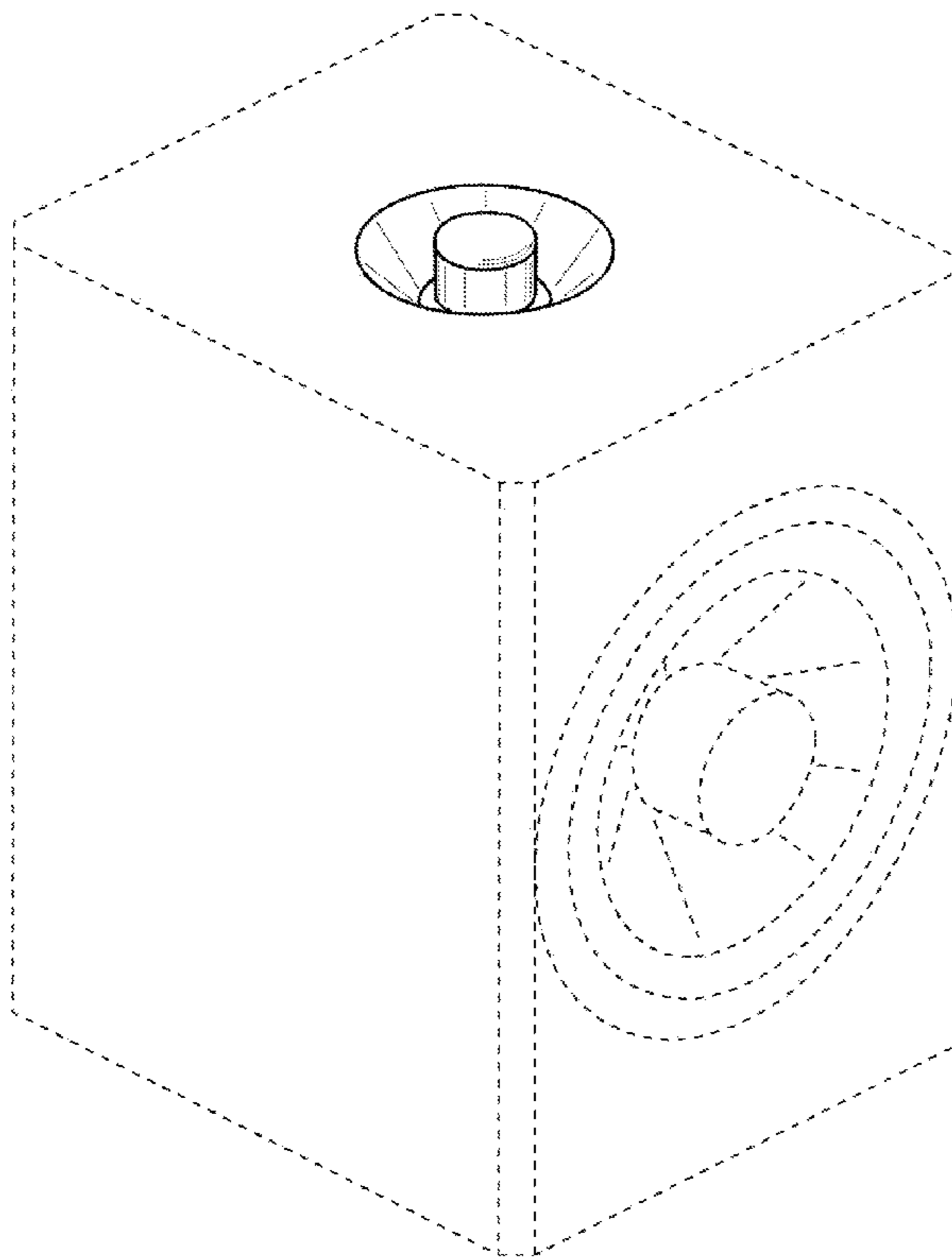
FIG. 2 is rear isometric view thereof;

FIG. 3 is a top plan view thereof; and,

FIG. 4 is a cross-sectional view thereof along line 4—4 of FIG. 3.

The broken line showing on the drawing disclosure is for illustrative purposes only and forms no part of the claimed design.

1 Claim, 4 Drawing Sheets



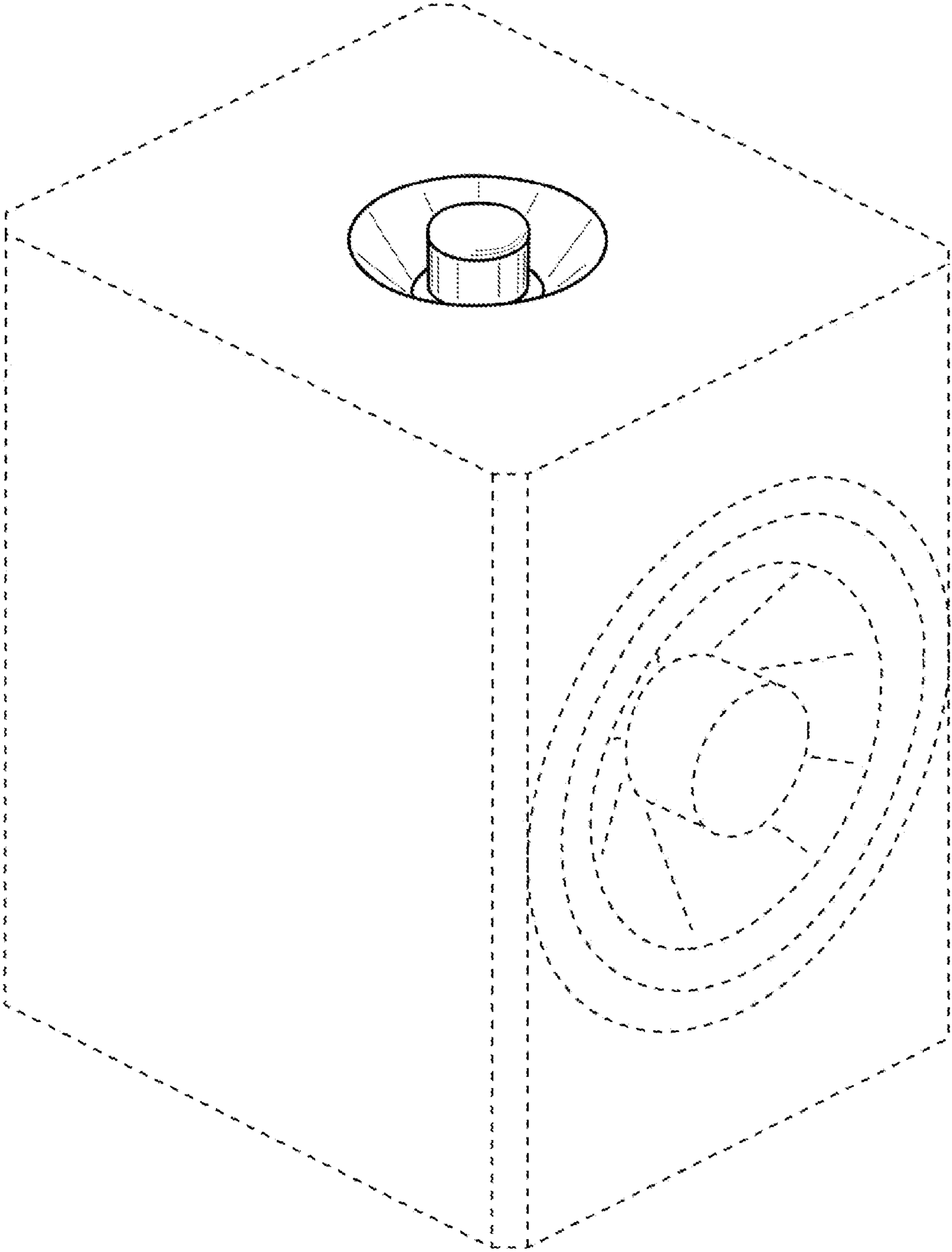


FIG. 1

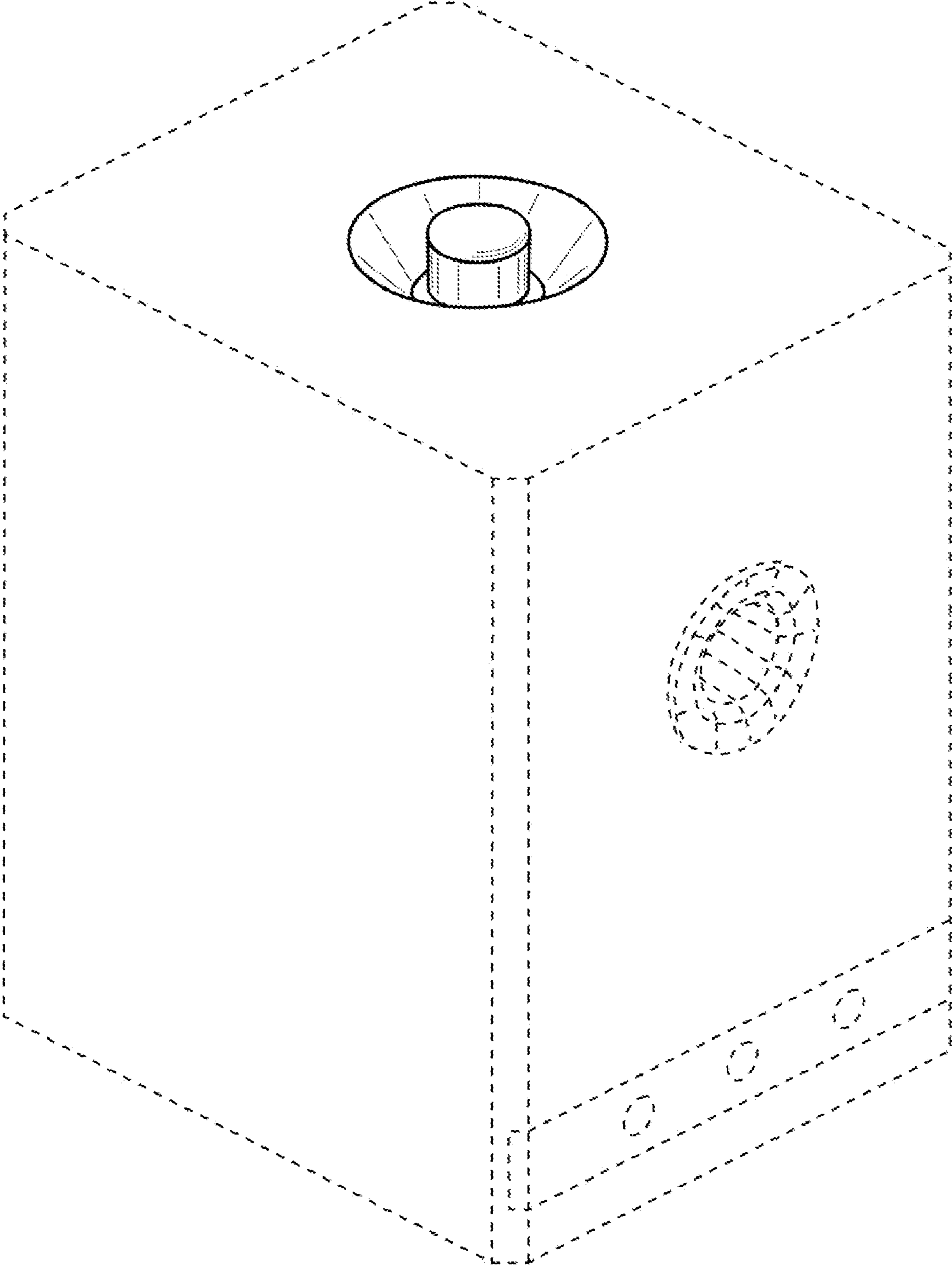


FIG. 2

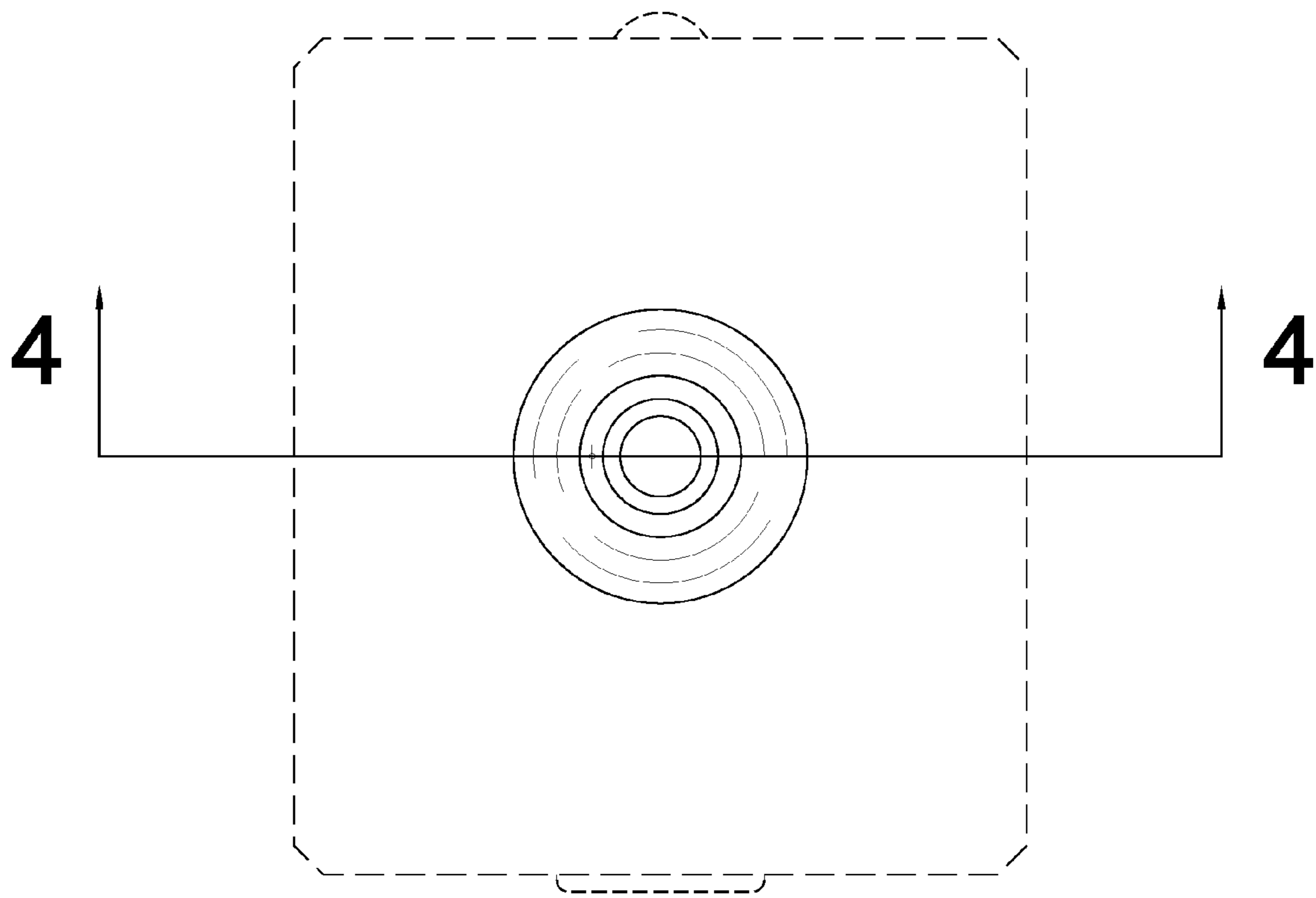


FIG. 3

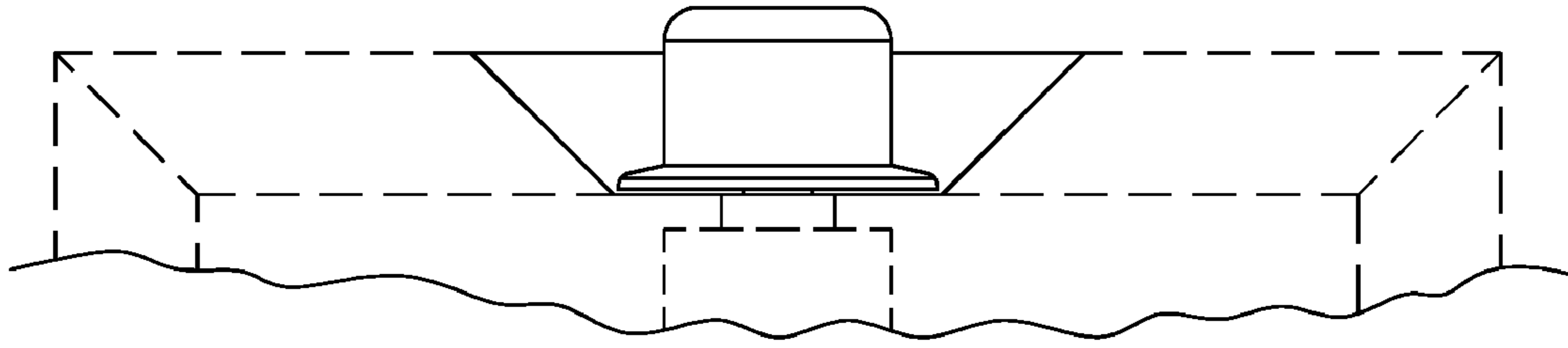


FIG. 4