



US00D612363S

(12) **United States Design Patent**
Eberl et al.

(10) **Patent No.:** **US D612,363 S**
(45) **Date of Patent:** **** Mar. 23, 2010**

(54) **HEADSET**

(76) Inventors: **Rolf Eberl**, c/o Special Electronics & Designs Inc., 214 Bruce Avenue, Kincardine, Ontario (CA) N2Z 2P3;
Peter Eberl, c/o Special Electronics & Designs Inc., 214 Bruce Avenue, Kincardine, Ontario (CA) N2Z 2P3

(**) Term: **14 Years**

(21) Appl. No.: **29/337,366**

(22) Filed: **May 20, 2009**

(51) **LOC (9) Cl.** **14-01**

(52) **U.S. Cl.** **D14/205**

(58) **Field of Classification Search** D14/205,
D14/206, 223, 188, 192; 379/430, 431; 381/380,
381/381, 371, 370, 375, 378, 379; D29/112,
D29/103; 2/209; 455/575.2; 181/129, 130;
D16/309; 345/8

See application file for complete search history.

(56) **References Cited**

U.S. PATENT DOCUMENTS

4,039,765	A *	8/1977	Tichy et al.	379/430
4,453,050	A	6/1984	Enokido	
4,472,607	A *	9/1984	Houng	181/18
D287,849	S	1/1987	O'Malley et al.	
4,668,842	A *	5/1987	Yokoyama et al.	381/380
D291,198	S *	8/1987	Bellini	D14/205
D316,551	S *	4/1991	Ichikawa	D14/205
5,117,464	A	5/1992	Jones et al.	
D331,057	S *	11/1992	Isonaga	D14/205
D342,947	S *	1/1994	Totsuka	D14/192
5,335,285	A	8/1994	Gluz	

D351,171	S *	10/1994	Tanaka	D14/205
D351,597	S *	10/1994	Nakamura	D14/205
5,446,788	A *	8/1995	Lucey et al.	379/430
D371,133	S *	6/1996	Andrea	D14/206
6,101,260	A	8/2000	Jensen et al.	
D459,337	S *	6/2002	Mori	D14/192
6,721,433	B2	4/2004	Sato	
6,754,361	B1	6/2004	Hall et al.	
D492,941	S *	7/2004	Komiyama	D14/205
D510,335	S *	10/2005	Suzuki	D14/205
D512,983	S *	12/2005	Tachikawa	D14/205
7,406,172	B2	7/2008	Amae	
D597,070	S *	7/2009	Zheng	D14/205
2008/0089545	A1	4/2008	Jannard et al.	

* cited by examiner

Primary Examiner—Paula Greene

(57) **CLAIM**

The ornamental design for a headset, as shown and described.

DESCRIPTION

FIG. 1 is a rear perspective view of a headset showing environmental features;

FIG. 2 is a front perspective view of the headset of FIG. 1;

FIG. 3 is a right side view of the headset of FIG. 1;

FIG. 4 is a front view of the headset of FIG. 1;

FIG. 5 is a left side view of the headset of FIG. 1;

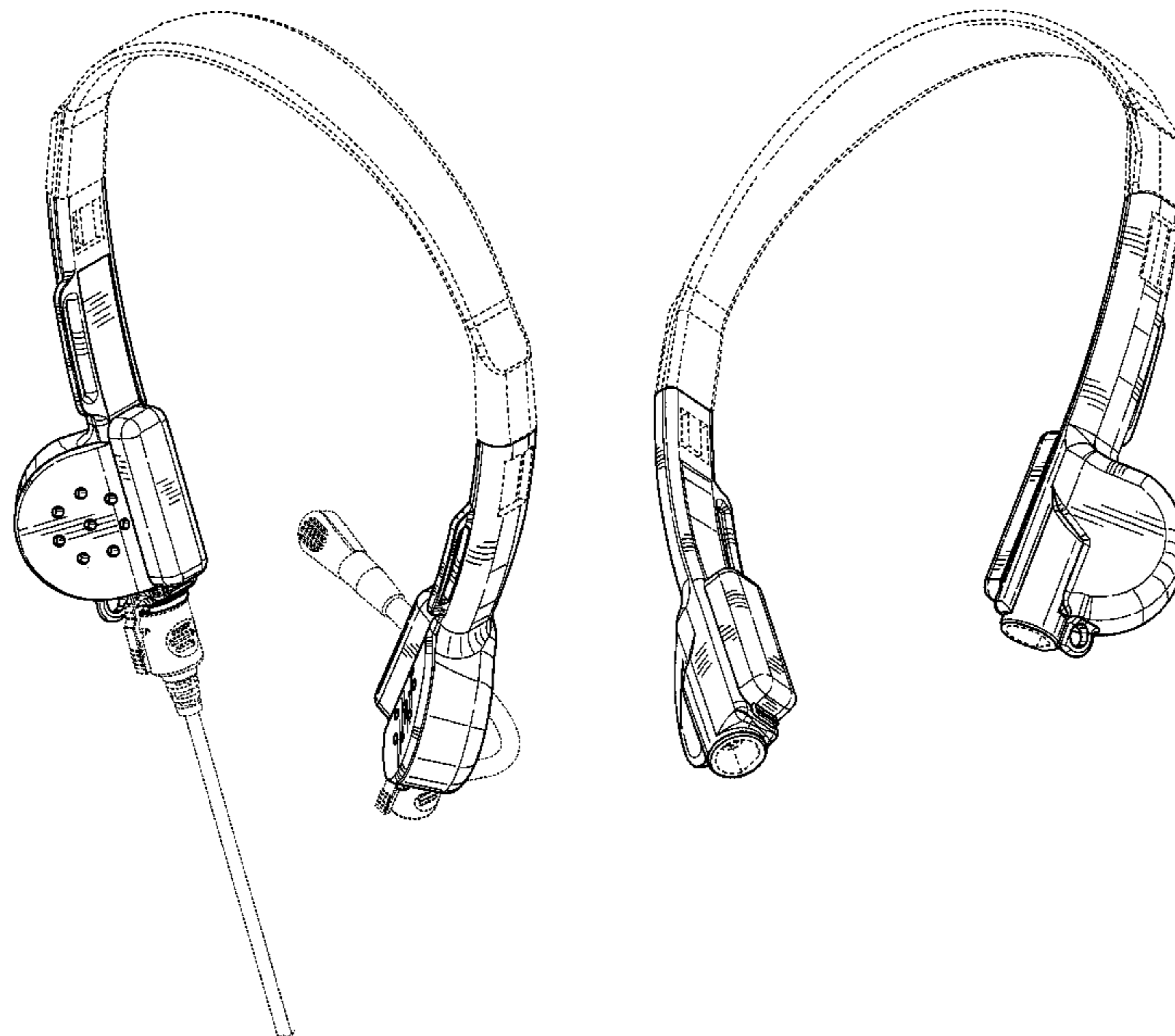
FIG. 6 is a rear view of the headset of FIG. 1;

FIG. 7 is a top view of the headset of FIG. 1; and,

FIG. 8 is a bottom view of the headset of FIG. 1.

The portions of the headset shown in dashed lines do not form part of the design.

1 Claim, 7 Drawing Sheets



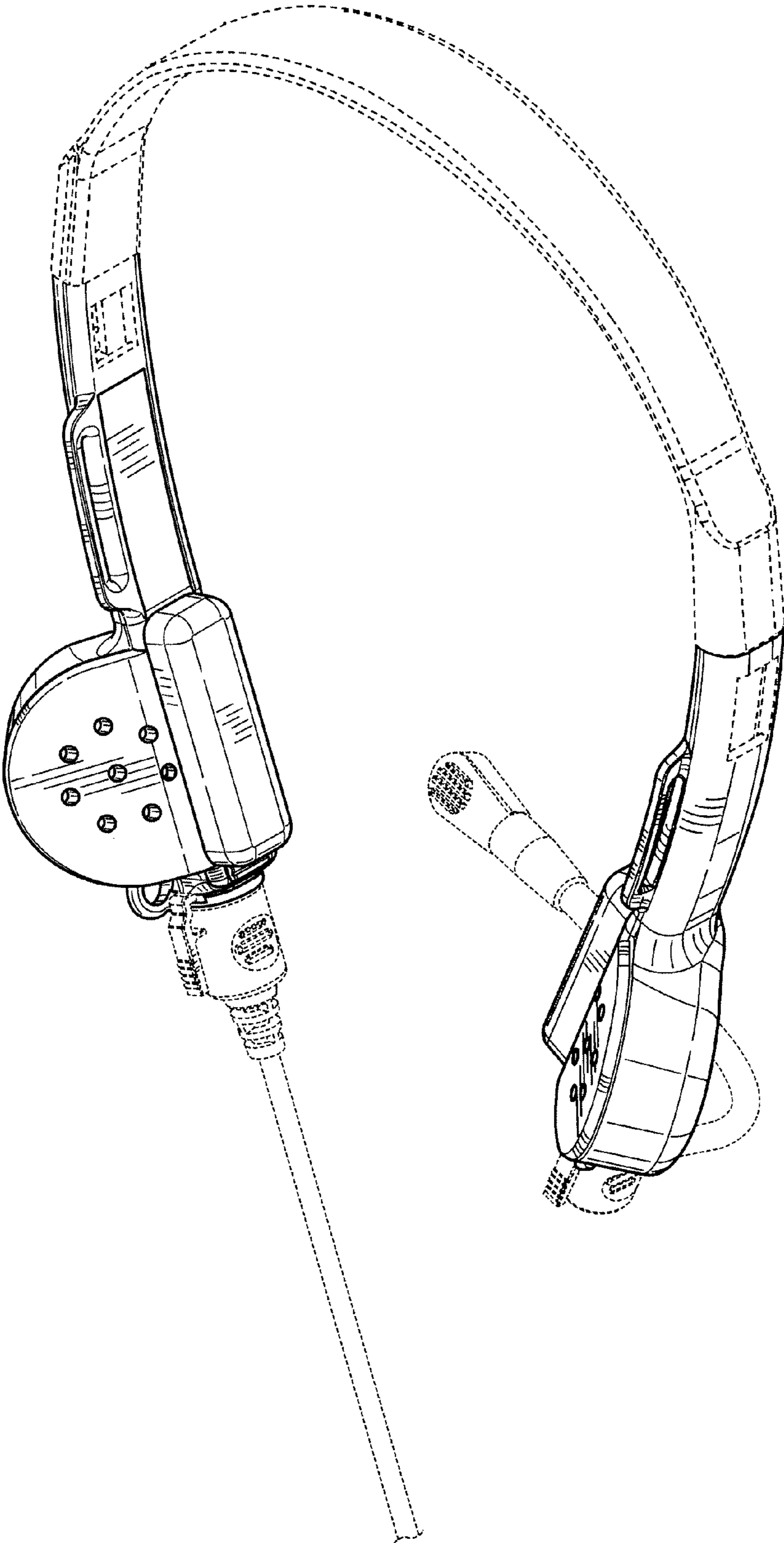


FIG. 1

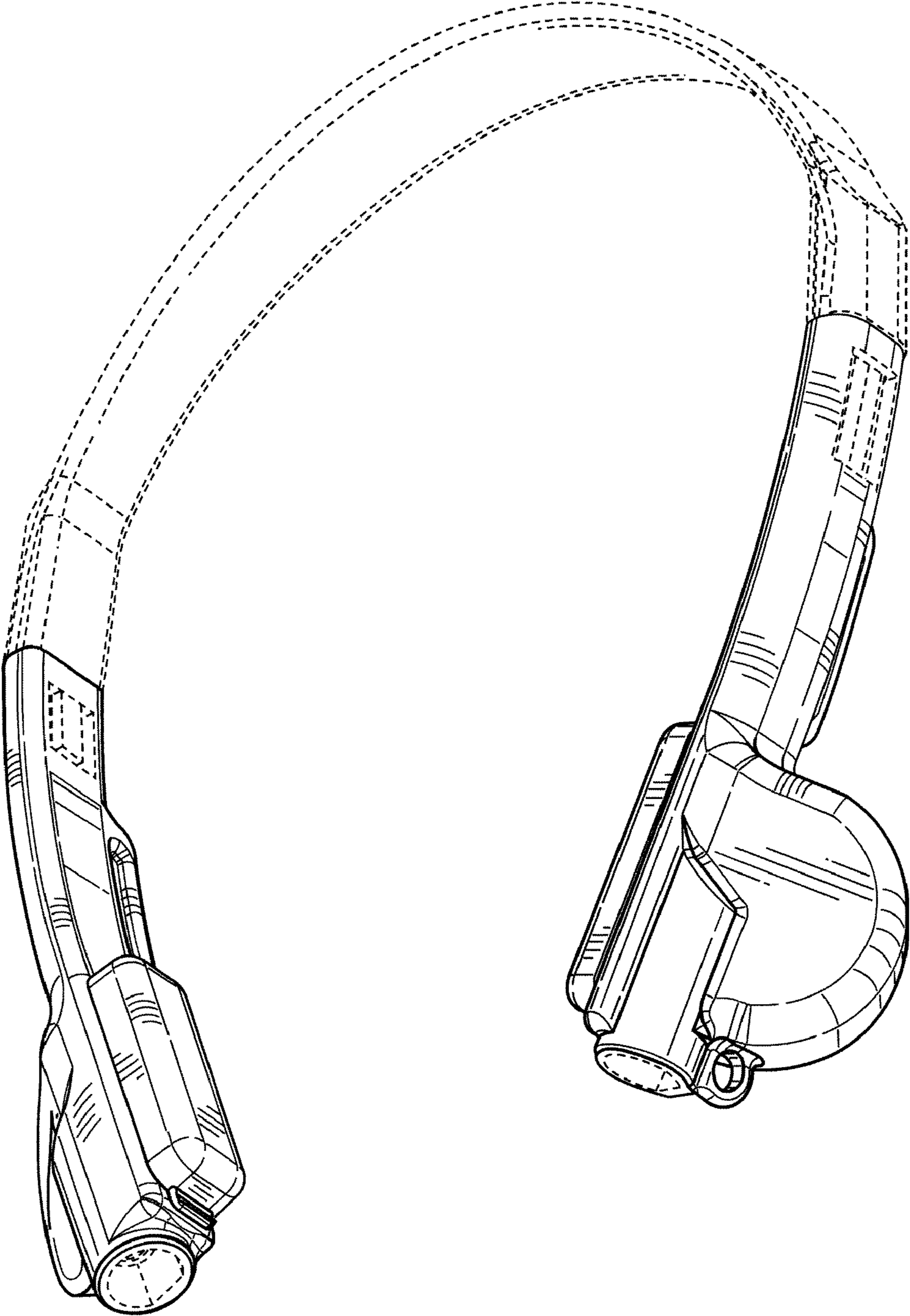


FIG. 2

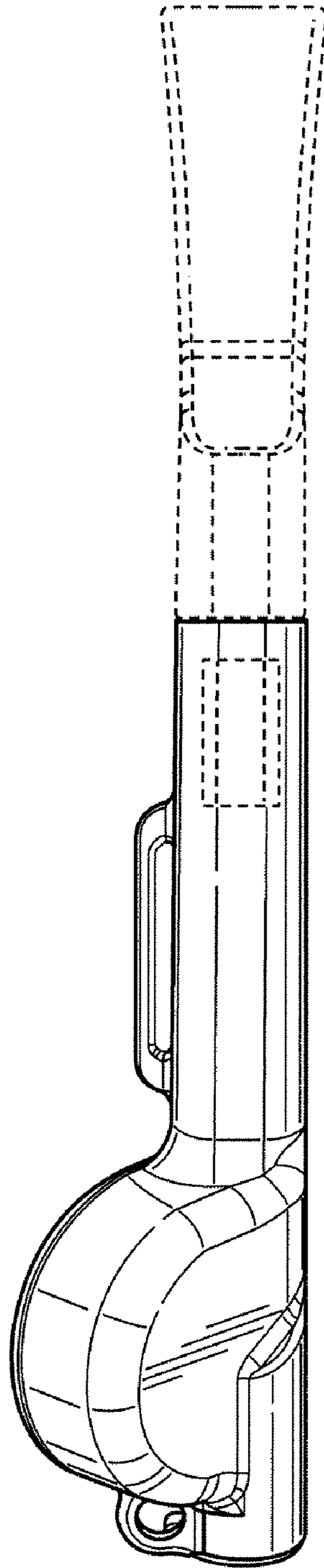


FIG. 3

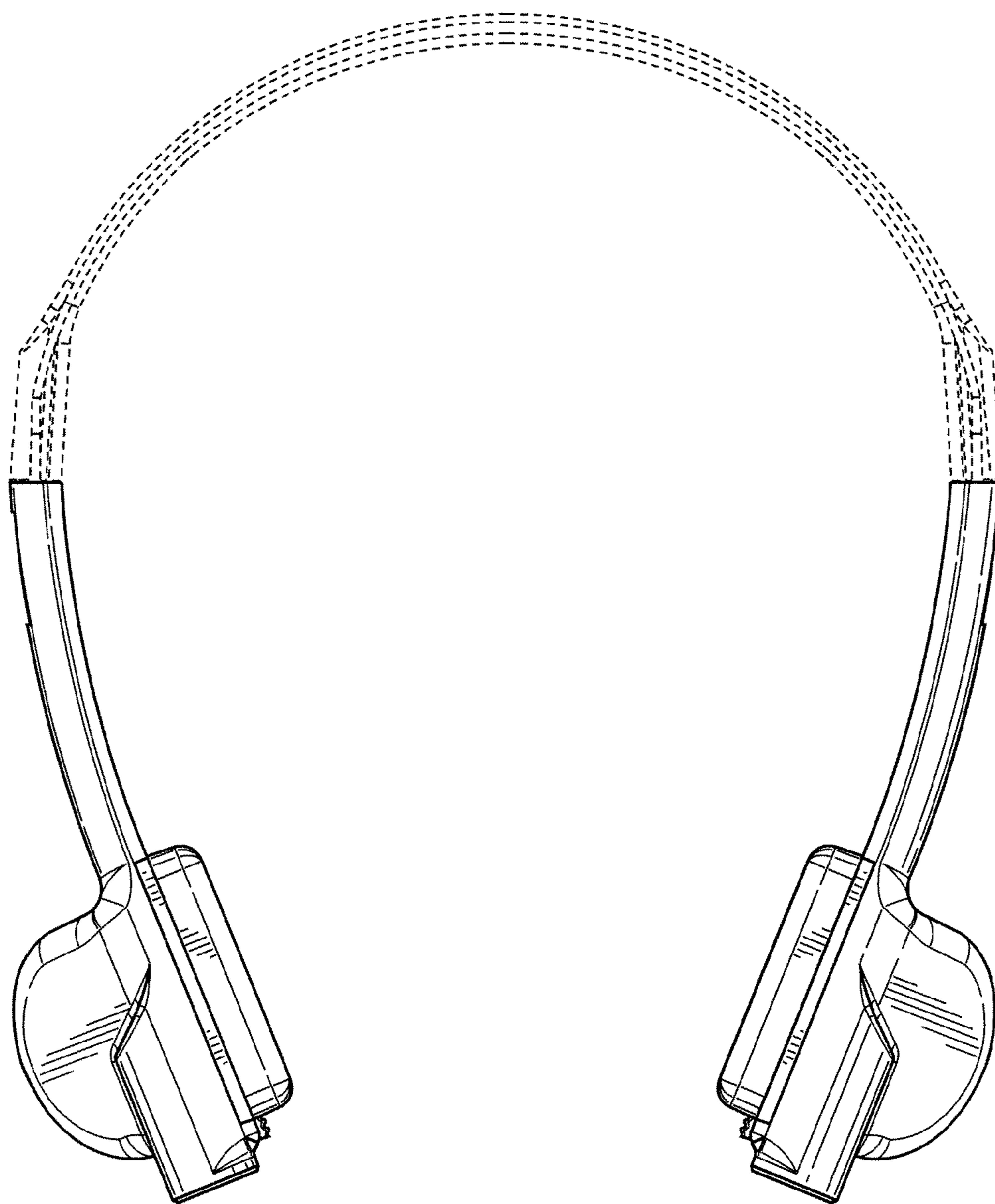


FIG. 4

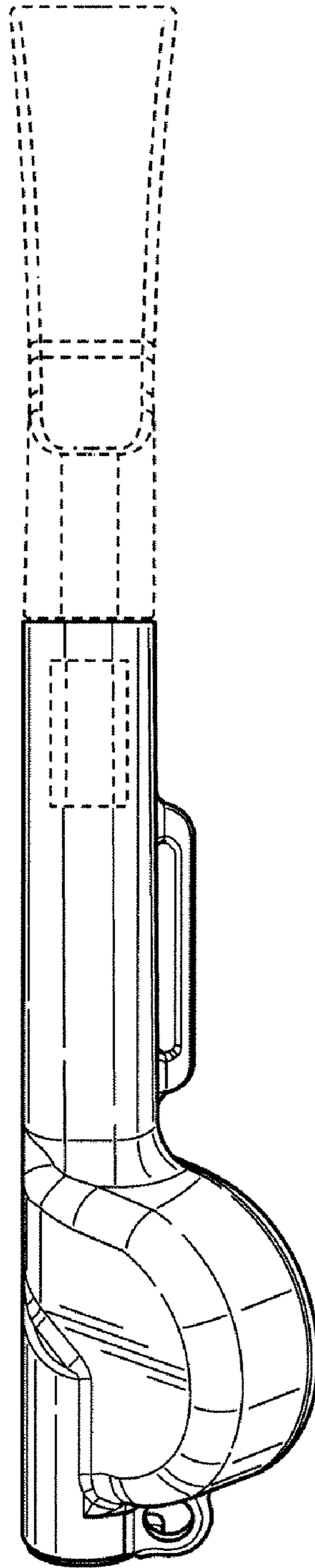


FIG. 5



FIG. 6

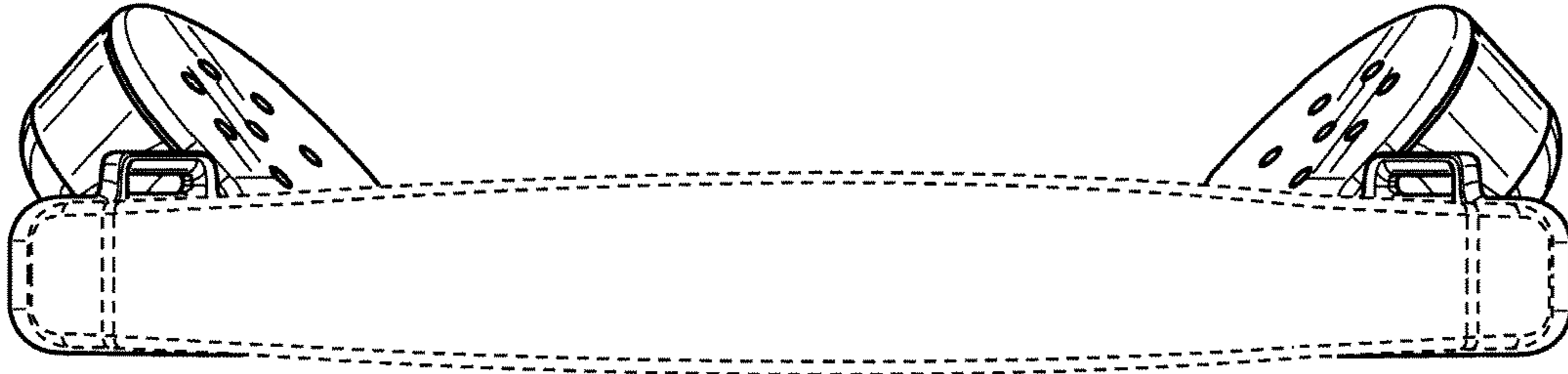


FIG. 7

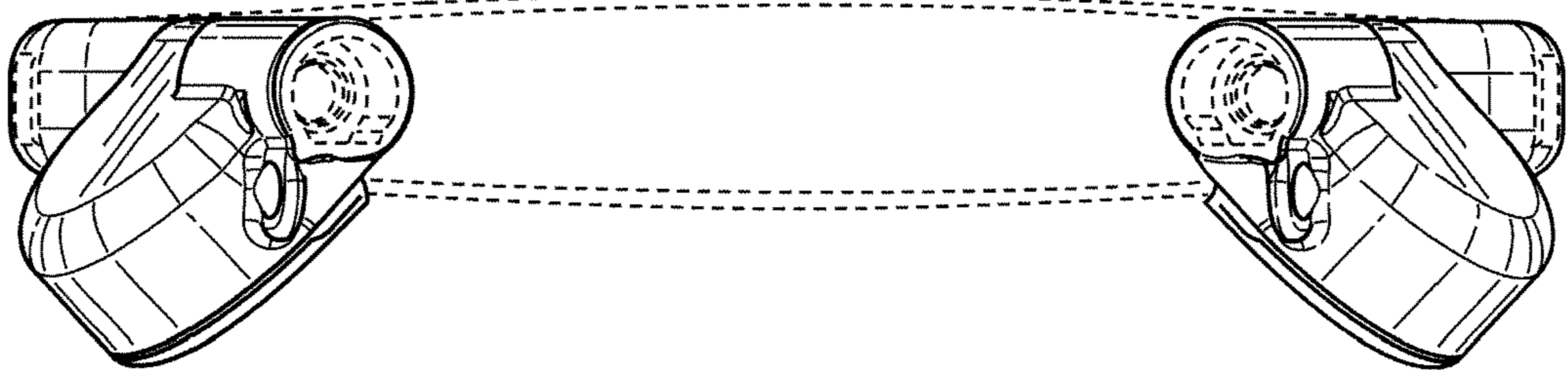


FIG. 8