



US00D612361S

(12) **United States Design Patent**
Wright

(10) **Patent No.:** **US D612,361 S**
(45) **Date of Patent:** **** Mar. 23, 2010**

(54) **PENDANT AUDIO DEVICE**

(75) Inventor: **Sheila A. Wright**, Bloomfield Hills, MI (US)

(73) Assignee: **Ann Williams Group LLC**, Bloomfield Hills, MI (US)

(**) Term: **14 Years**

(21) Appl. No.: **29/339,086**

(22) Filed: **Jun. 24, 2009**

(51) **LOC (9) Cl.** **14-03**

(52) **U.S. Cl.** **D14/203.2; D14/496; D14/203.1**

(58) **Field of Classification Search** D14/496, D14/401, 435, 474, 483, 217, 137, 138, 160, D14/168, 356, 203.1-103.8, 507; 345/156, 345/169, 173-179, 905; 715/727-729, 864; 710/1, 5, 8; 713/1, 600; 455/1.1, 1.7, 73, 455/344-347, 93, 95, 3.01-3.06, 550.1, 573.1; 370/342-344; 369/1, 2, 6-12; 463/43-47; 273/148 B

See application file for complete search history.

(56) **References Cited**

U.S. PATENT DOCUMENTS

4,955,164 A * 9/1990 Hashish et al. 451/40
6,285,867 B1 * 9/2001 Boling et al. 455/404.1

D511,337 S * 11/2005 Kim D14/509
D514,122 S * 1/2006 Rodarte D14/203.6
D527,704 S * 9/2006 Rodarte D13/108
D531,159 S * 10/2006 Park D14/203.3
D560,211 S * 1/2008 Kim et al. D14/216
7,395,090 B2 * 7/2008 Alden 455/557
7,398,635 B2 * 7/2008 Fairweather et al. 53/569
D582,394 S * 12/2008 Hong et al. D14/216

* cited by examiner

Primary Examiner—Prabhakar Deshmukh

(74) *Attorney, Agent, or Firm*—Dobrusin & Thennisch PC

(57) **CLAIM**

The ornamental design for a pendant audio device, as shown and described.

DESCRIPTION

FIG. 1 is a perspective view of a pendent audio device showing my new design;

FIG. 2 is a front elevational view thereof;

FIG. 3 is a rear elevational view thereof;

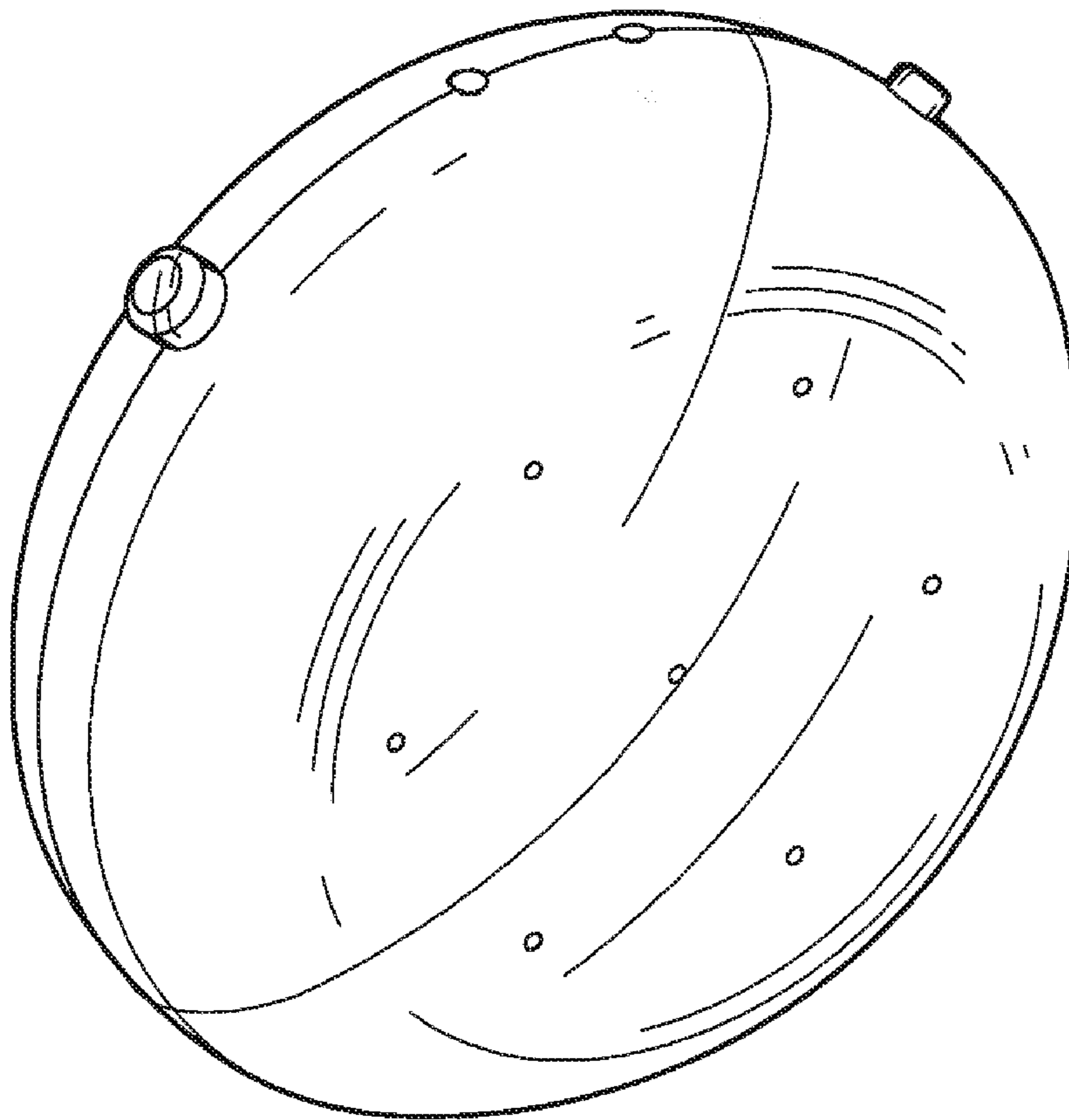
FIG. 4 is a top plan view thereof;

FIG. 5 is a bottom plan view thereof;

FIG. 6 is a right side elevational view thereof; and,

FIG. 7 is a left side elevational view thereof.

1 Claim, 2 Drawing Sheets



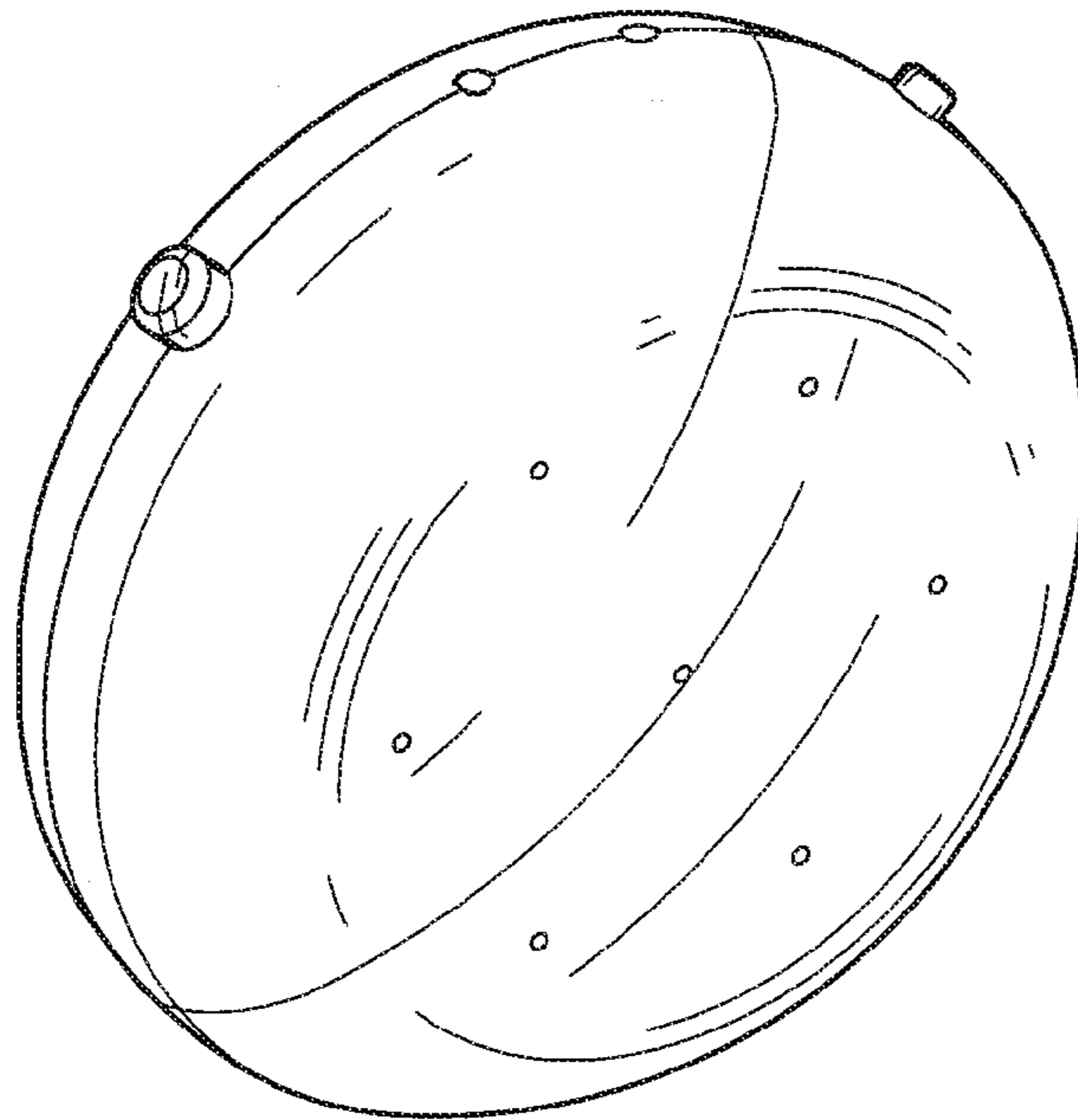


Fig - 1

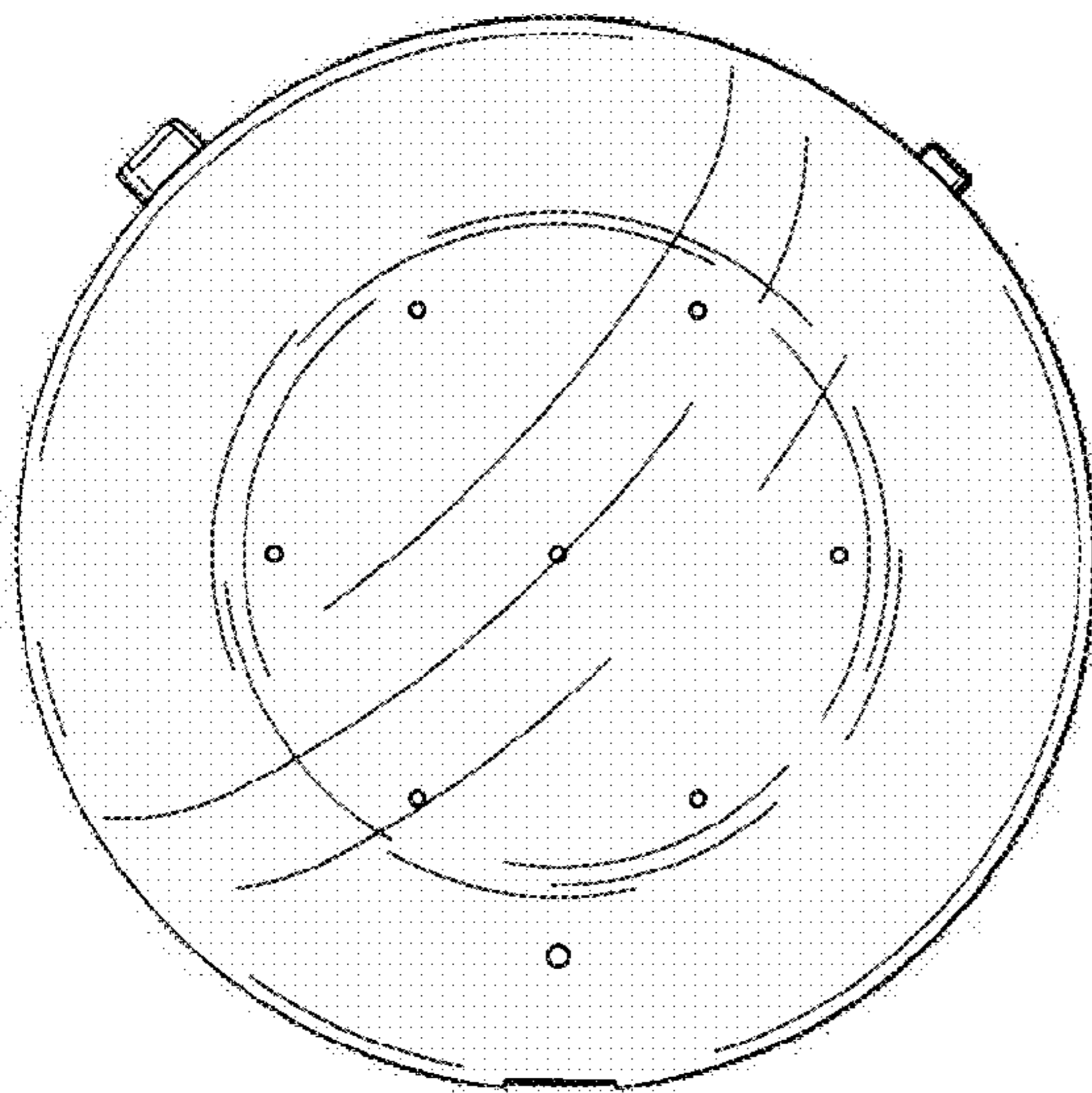


Fig - 2

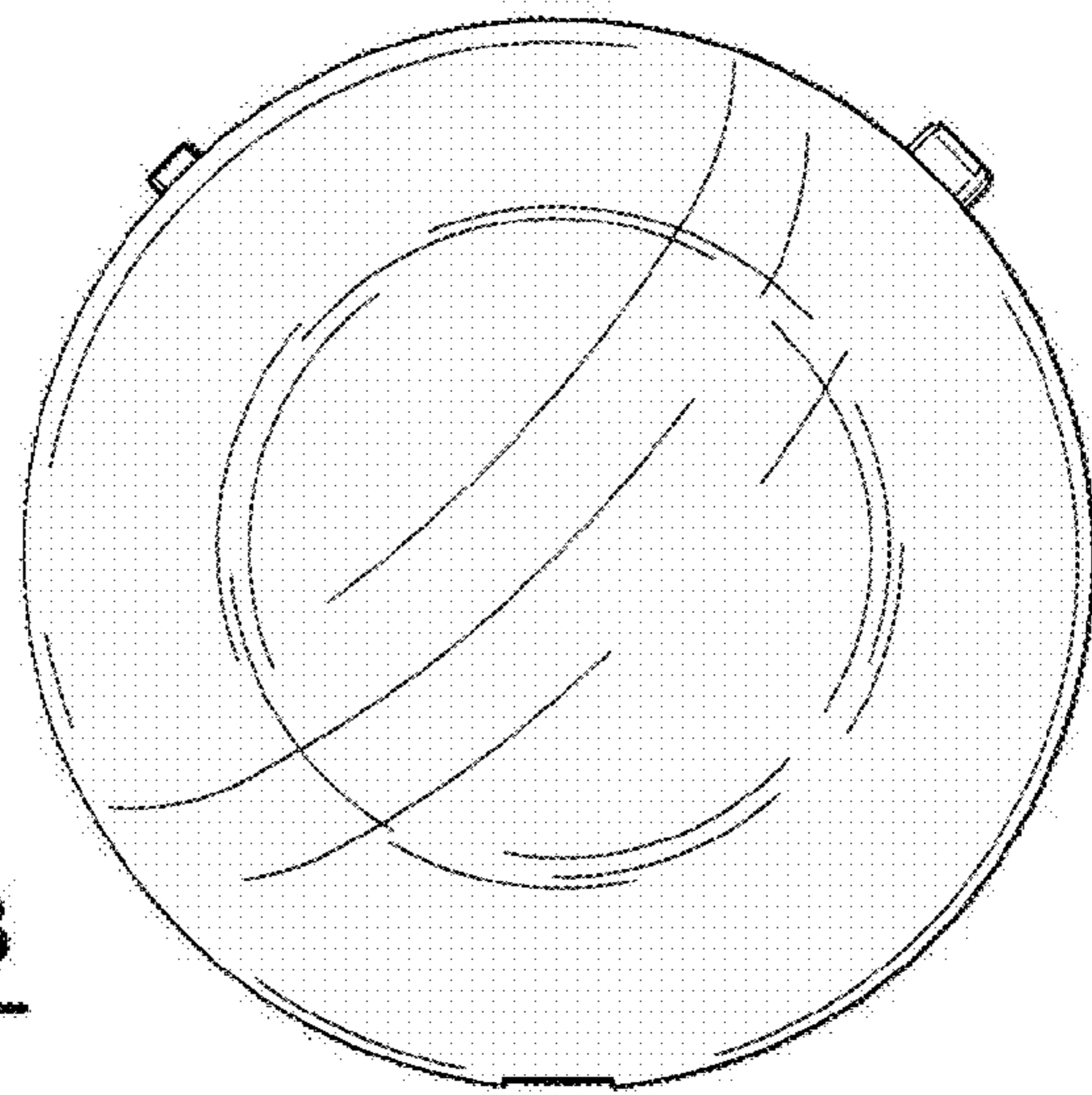


Fig - 3

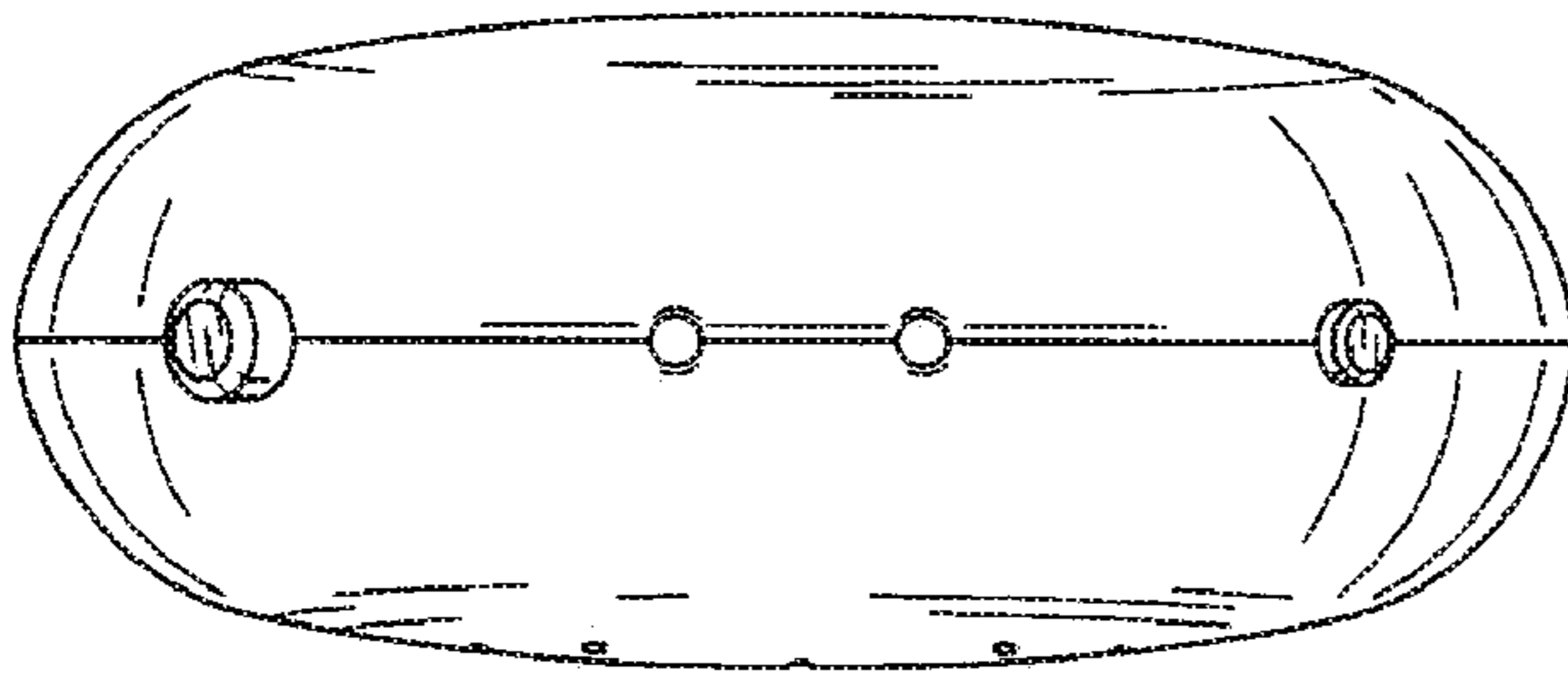


Fig-4

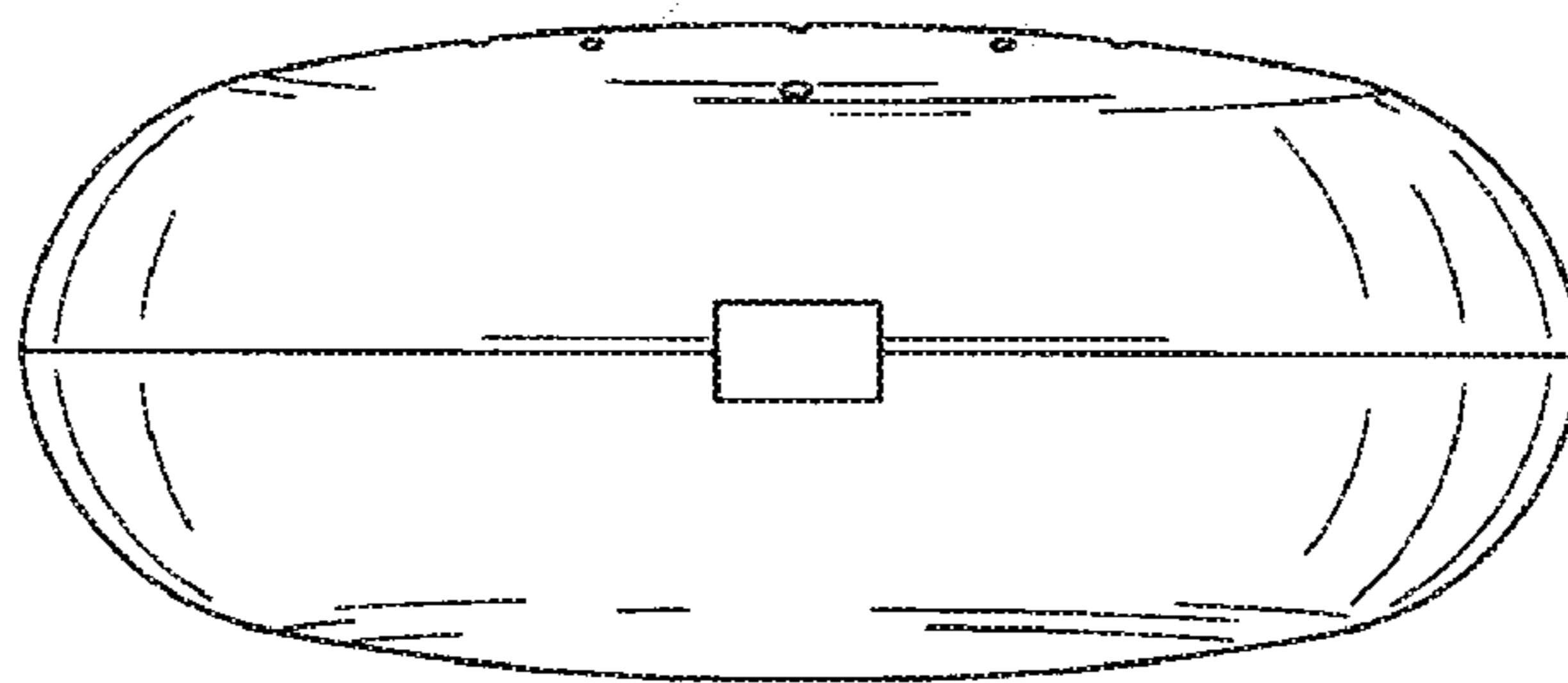


Fig-5

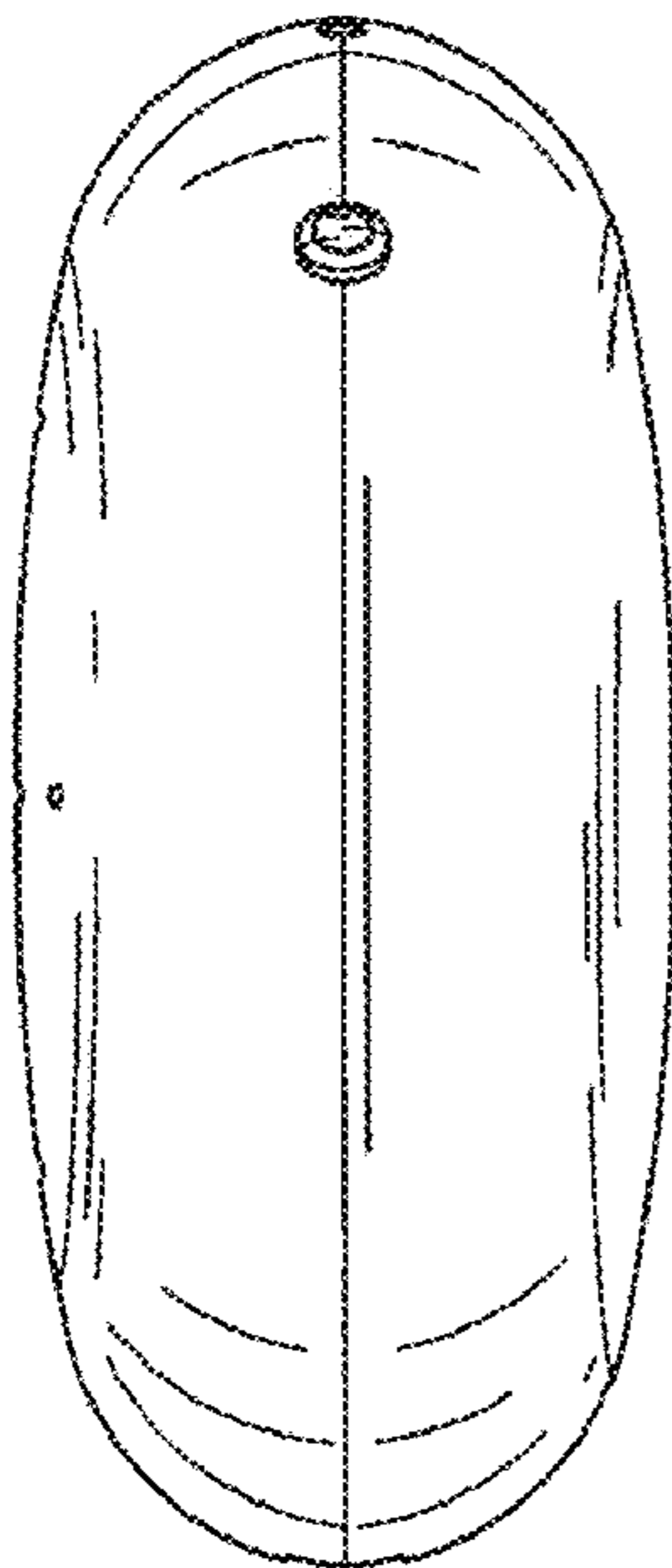


Fig-6

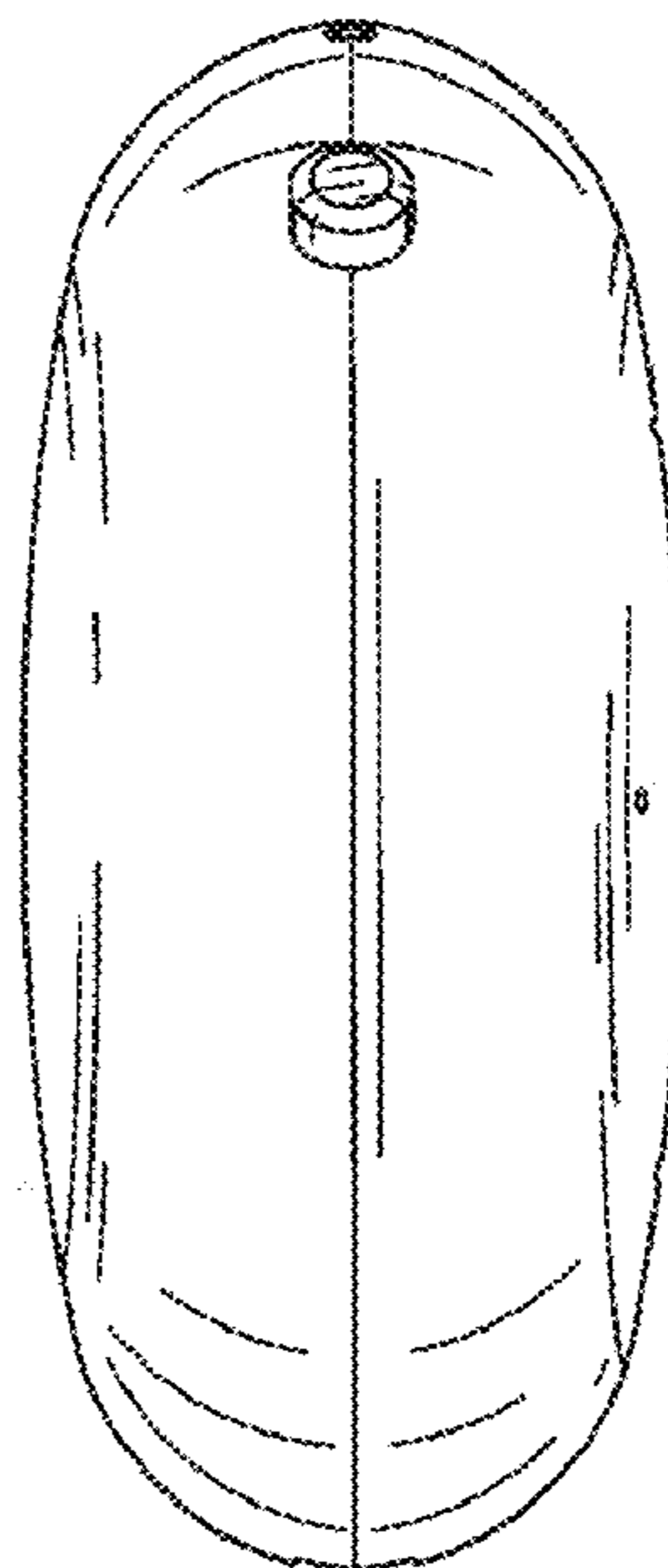


Fig-7