



US00D612358S

(12) **United States Design Patent**
Lee et al.

(10) **Patent No.:** **US D612,358 S**
(45) **Date of Patent:** **** Mar. 23, 2010**

(54) **MOBILE PHONE**

D567,794 S * 4/2008 Kim et al. D14/138 AD
D569,834 S * 5/2008 Suk et al. D14/138 AD

(75) Inventors: **Woo-Seok Lee**, Seoul (KR); **Hyun-Seop Kim**, Seoul (KR); **Chang-Hwan Hwang**, Goyang-Si (KR)

(73) Assignee: **Samsung Electronics Co., Ltd.**, Suwon-Si (KR)

(Continued)

(**) Term: **14 Years**

(21) Appl. No.: **29/336,171**

(22) Filed: **Apr. 29, 2009**

(30) **Foreign Application Priority Data**

Mar. 4, 2009 (KR) 30-2009-0009238

(51) **LOC (9) Cl.** **14-03**

(52) **U.S. Cl.** **D14/138 AD**

(58) **Field of Classification Search** D14/138 R,
D14/138 AD, 138 AC, 138 C, 138 G, 191,
D14/203.1–203.8, 496, 138 AA, 138 AB,
D14/247–248, 137, 147, 218, 341–347; D10/65,
D10/78, 104; D13/168; D18/7; 455/566,
455/575.1, 575.3

See application file for complete search history.

(56) **References Cited**

U.S. PATENT DOCUMENTS

D525,610 S * 7/2006 Kim et al. D14/138 AD
D525,959 S * 8/2006 Kim et al. D14/138 AD
D531,973 S * 11/2006 Kim et al. D14/138 AC
D531,974 S * 11/2006 Kim et al. D14/138 AC
D531,975 S * 11/2006 Kim et al. D14/138 AC
D533,532 S * 12/2006 Kim et al. D14/138 AC
D534,515 S * 1/2007 Kim et al. D14/138 AD
D534,893 S * 1/2007 Jo et al. D14/138 AD
D535,968 S * 1/2007 Lee D14/138 AD
D536,690 S * 2/2007 Lee D14/138 AD
D558,714 S * 1/2008 Kim et al. D14/138 AD
D562,796 S * 2/2008 Sohn et al. D14/138 AD
D566,674 S * 4/2008 Park D14/138 AD

OTHER PUBLICATIONS

Asus nuvifone G60, announced Feb. 2009, [online], [retrieved on Mar. 6, 2009]. Retrieved from Internet ,<URL: <http://www.gsmarena.com>>.*

(Continued)

Primary Examiner—Jeffrey D Asch
Assistant Examiner—Bridget L Eland
(74) *Attorney, Agent, or Firm*—Staas & Halsey LLP

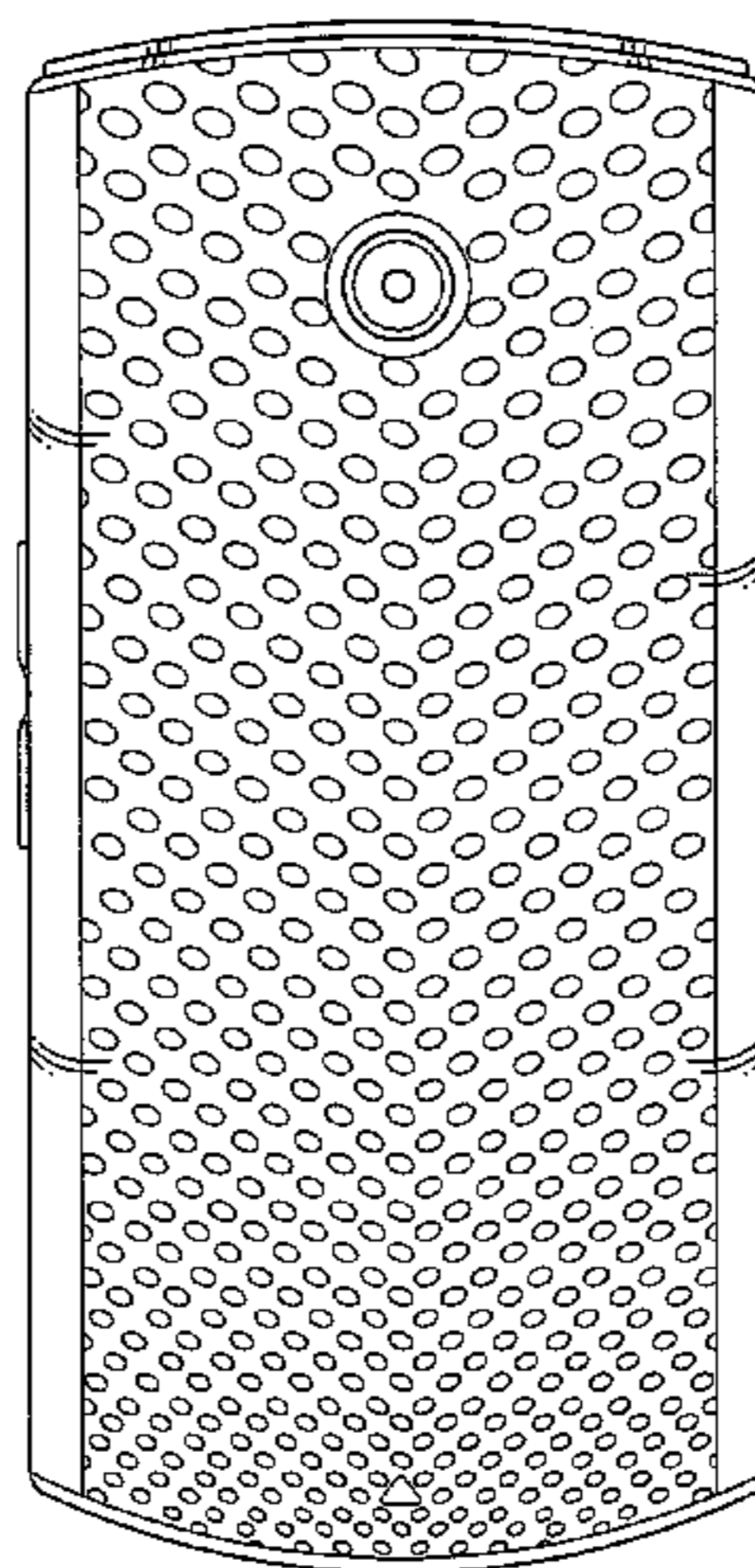
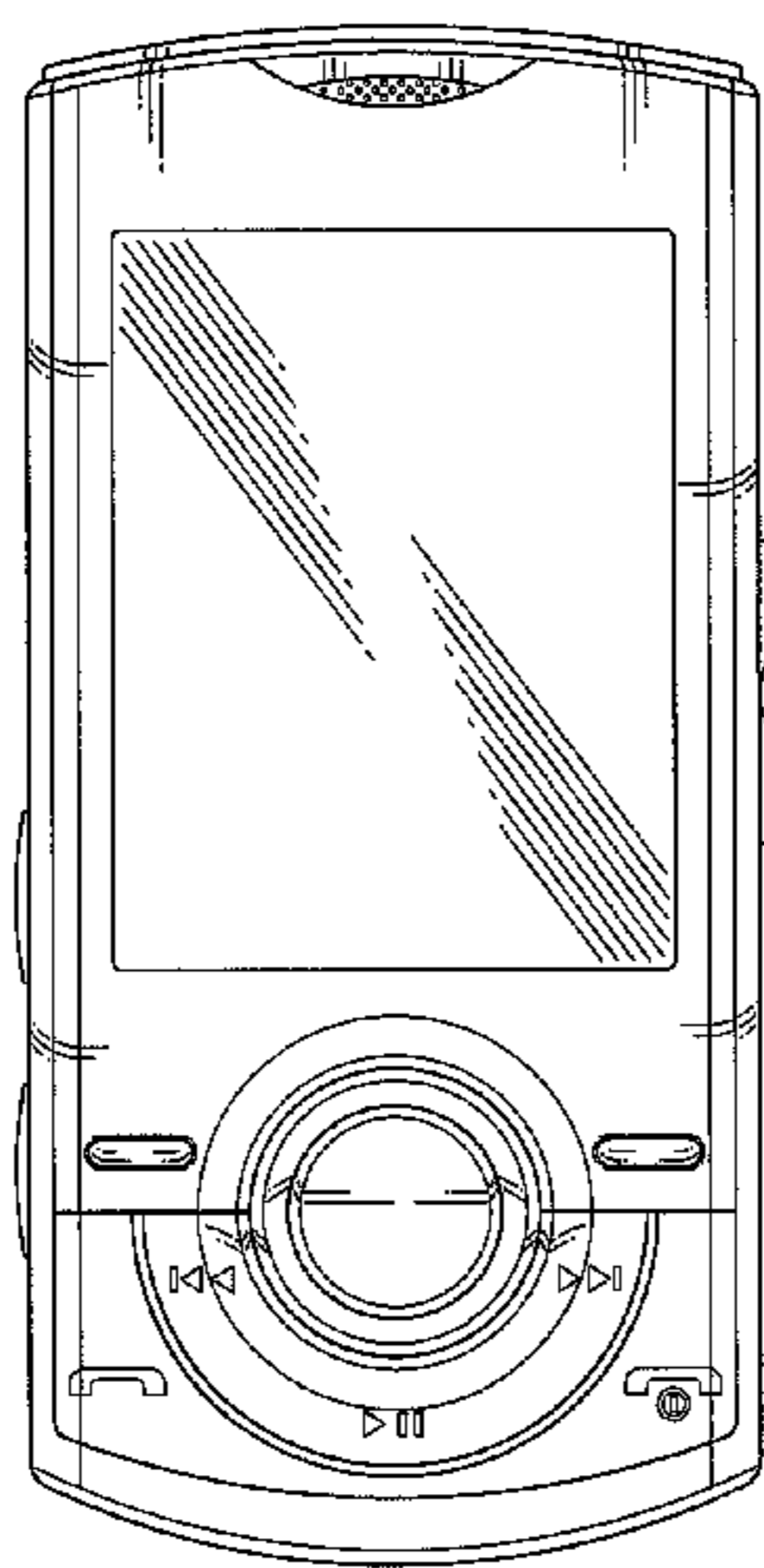
(57) **CLAIM**

The ornamental design for mobile phone, as shown and described.

DESCRIPTION

FIG. 1 is a front perspective view of a mobile phone;
FIG. 2 is a front view of the mobile phone of FIG. 1;
FIG. 3 is a rear view of the mobile phone of FIG. 1;
FIG. 4 is a left-side view of the mobile phone of FIG. 1;
FIG. 5 is a right-side view of the mobile phone of FIG. 1;
FIG. 6 is a top plan view of the mobile phone of FIG. 1;
FIG. 7 is a bottom plan view of the mobile phone of FIG. 1;
FIG. 8 is a slid up front open view of the mobile phone of FIG. 1; and,
FIG. 9 is a slid up back open view of the mobile phone of FIG. 1.

1 Claim, 6 Drawing Sheets



U.S. PATENT DOCUMENTS

D569,835 S * 5/2008 Han et al. D14/138 AD
D573,129 S * 7/2008 Park et al. D14/138 AD
D580,395 S * 11/2008 Oh et al. D14/138 AD
D581,382 S * 11/2008 Jeoung et al. D14/138 AD
D590,794 S * 4/2009 Jeoung et al. D14/138 AD
D596,606 S * 7/2009 Kim et al. D14/138 AD
D597,054 S * 7/2009 Park et al. D14/138 G
D597,516 S * 8/2009 Kim D14/138 AD
2005/0063144 A1* 3/2005 Park et al. 361/681
2008/0132288 A1* 6/2008 Misawa 455/566
2008/0274774 A1* 11/2008 Kim 455/575.1

OTHER PUBLICATIONS

HTC P3300, announced Sep. 2006, [online], [retrieved on Feb. 20, 2007]. Retrieved from Internet ,<URL: <http://www.gsmarena.com>>.*

HTC P3350, announced Feb. 2007, [online], [retrieved on Feb. 20, 2007]. Retrieved from Internet ,<URL: <http://www.gsmarena.com>>.*

LG KM500, announced Feb. 2008, [online], [retrieved on Mar. 21, 2008]. Retrieved from Internet ,<URL: <http://www.gsmarena.com>>.*

Pantech U-4000, announced Nov. 2006, [online], [retrieved on Feb. 20, 2007]. Retrieved from Internet ,<URL: <http://www.gsmarena.com>>.*

Samsung M2710, announced Jun. 2009, [online], [retrieved on Jun. 12, 2009]. Retrieved from Internet ,<URL: <http://www.gsmarena.com>>.*

Samsung M2510, announced Jun. 2009, [online], [retrieved on Jun. 23, 2009]. Retrieved from Internet ,<URL: <http://www.gsmarena.com>>.*

* cited by examiner

FIG. 1

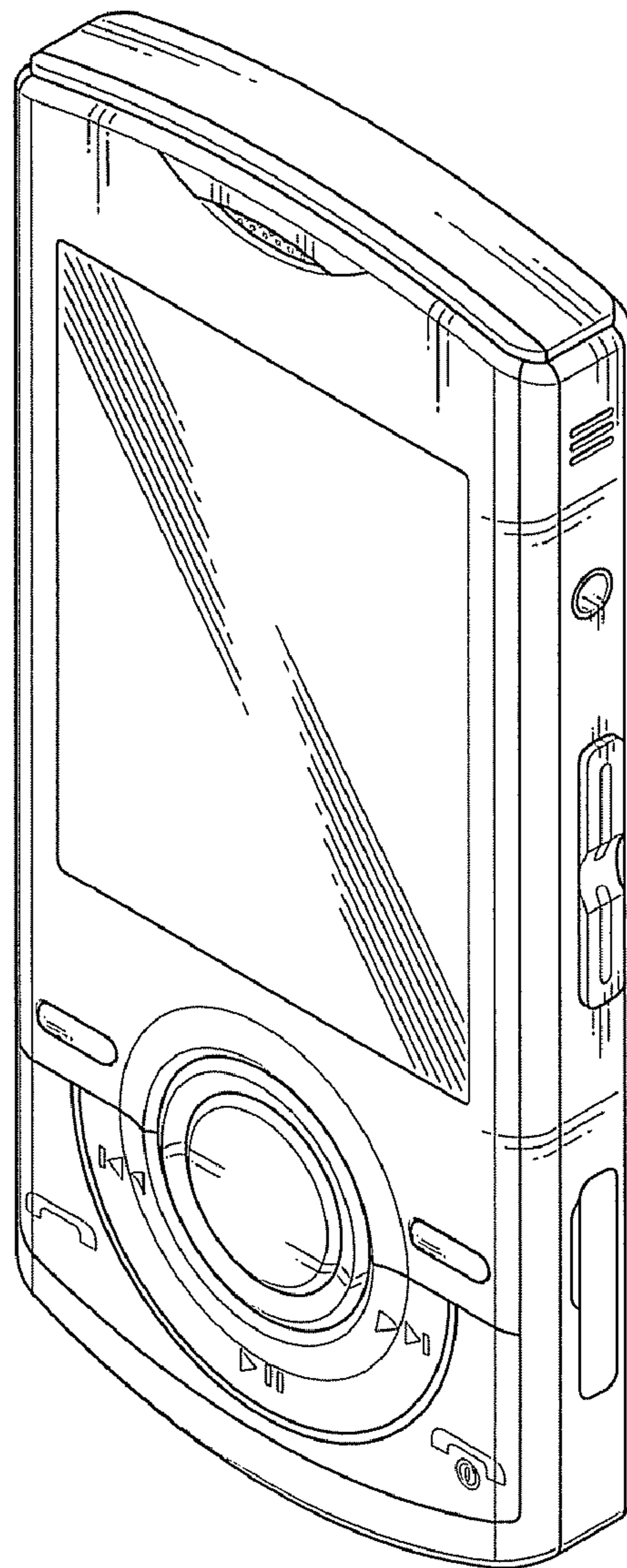


FIG. 2

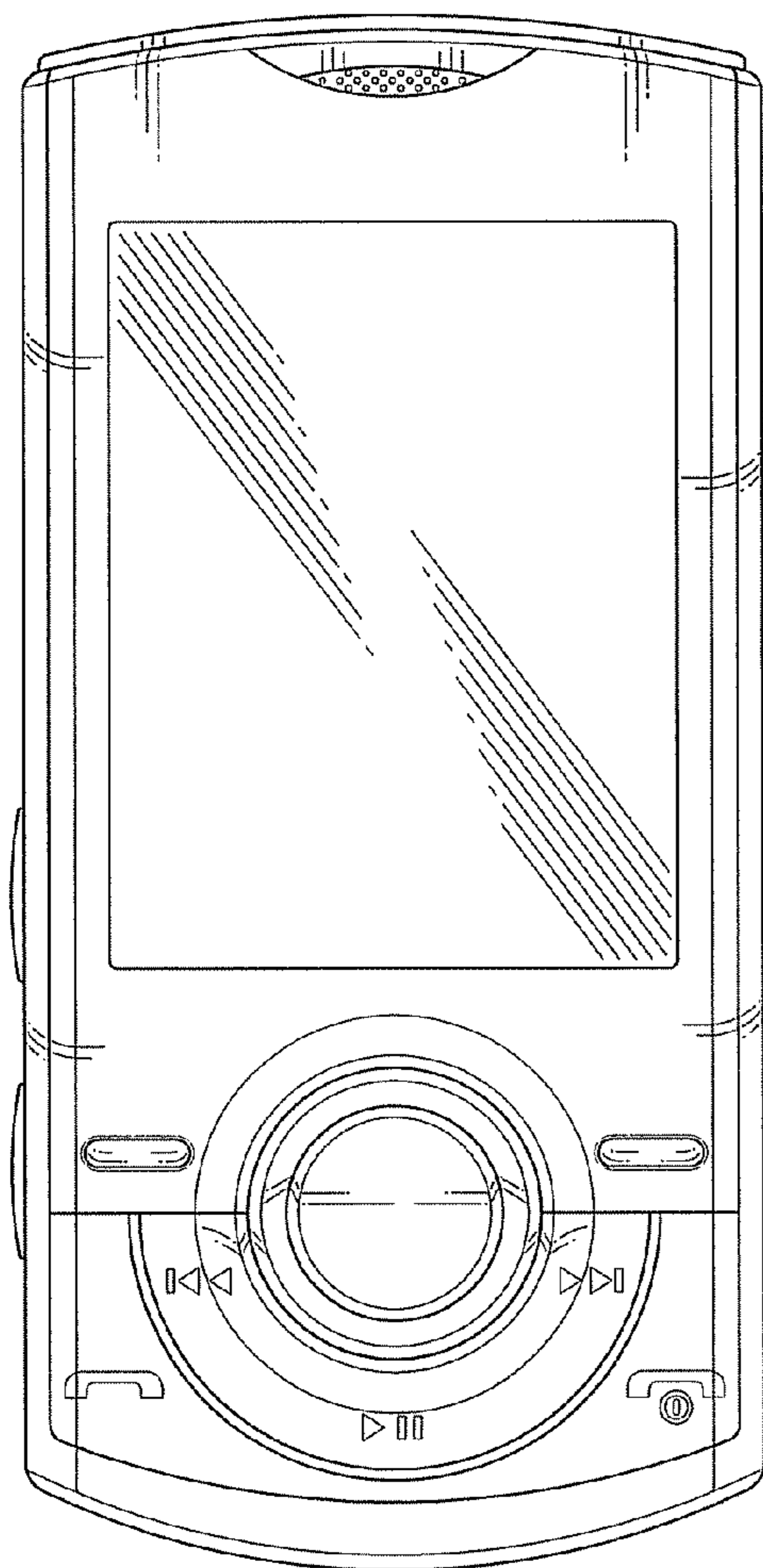


FIG. 3

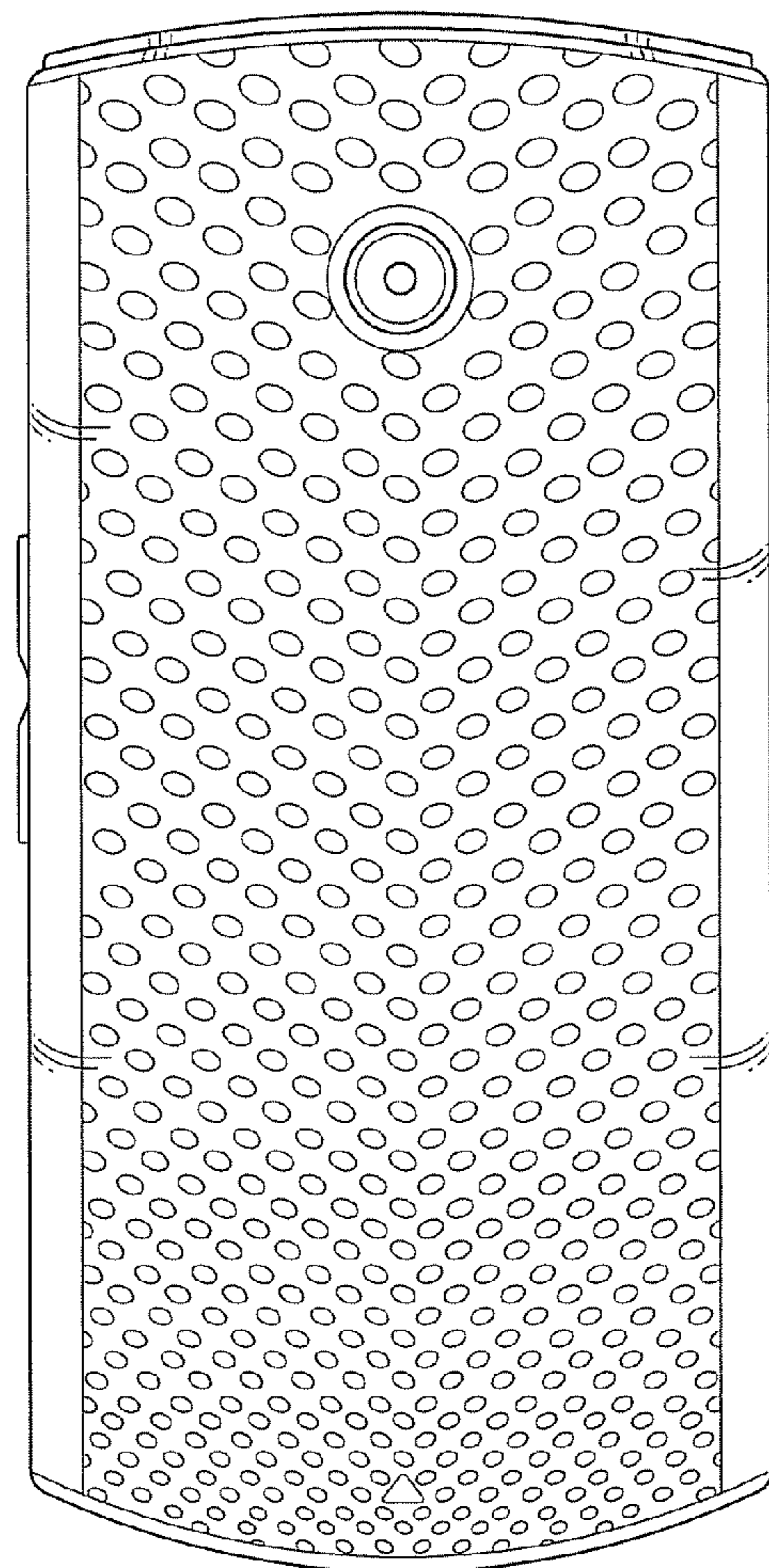


FIG. 4

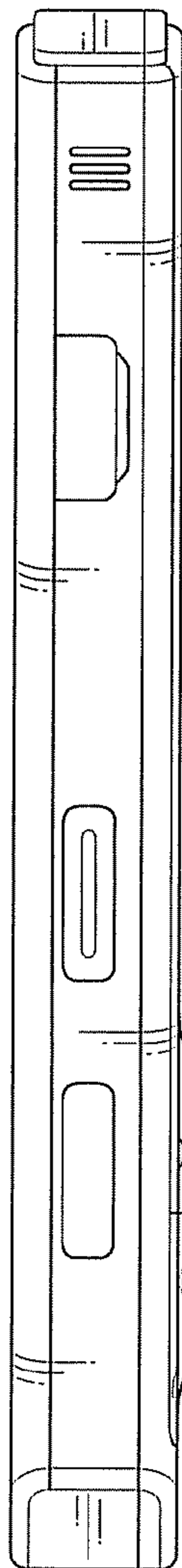


FIG. 5

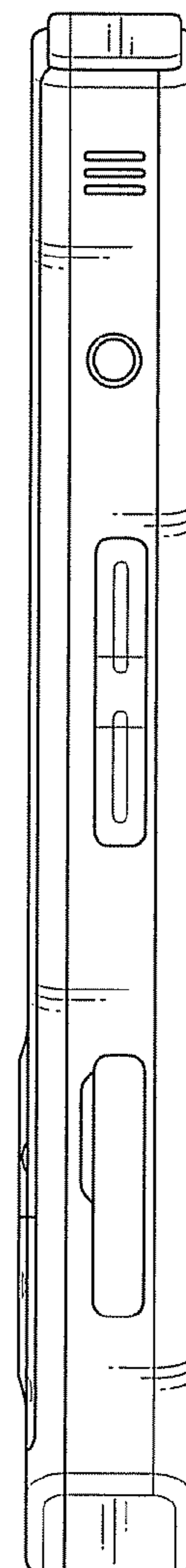


FIG. 6

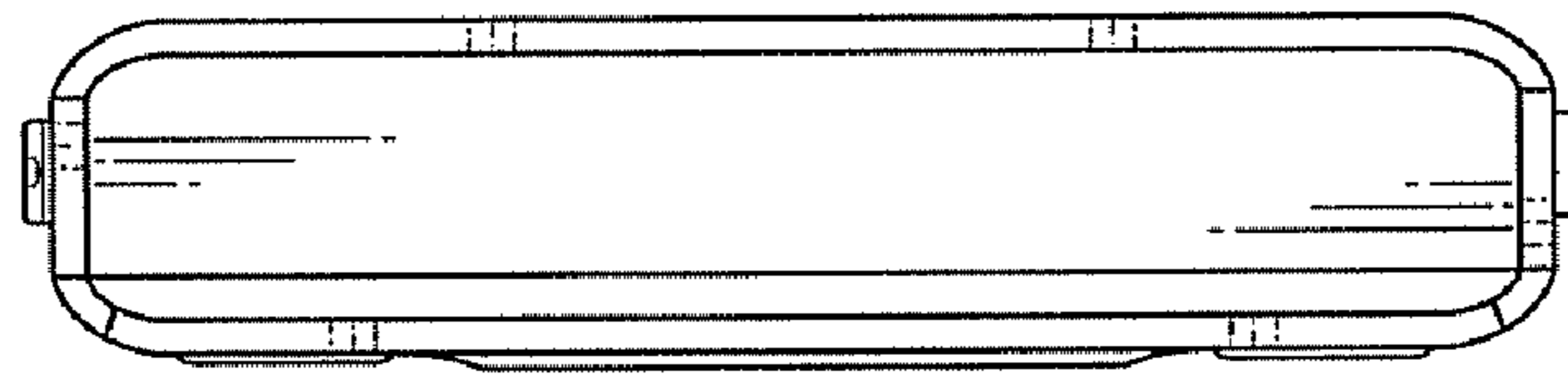


FIG. 7

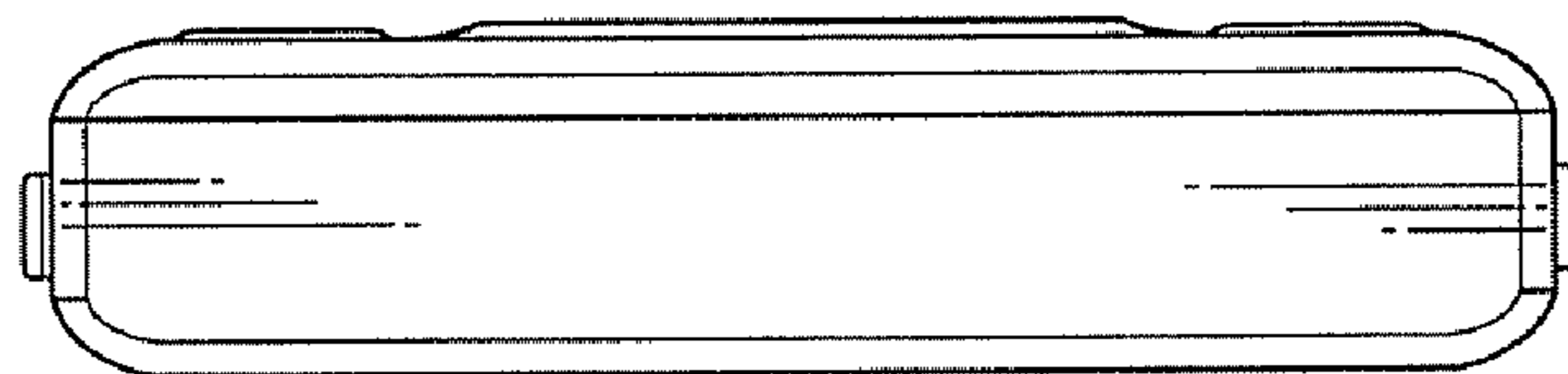


FIG. 8

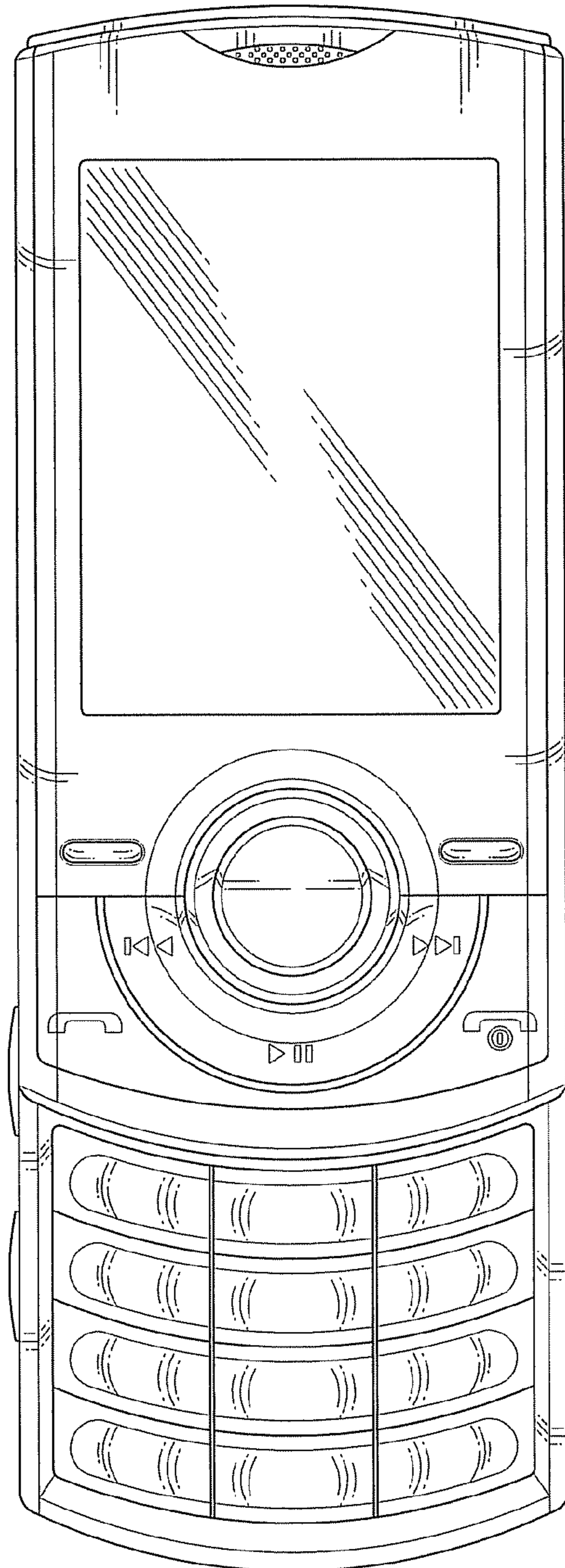


FIG. 9

