



US00D612346S

(12) **United States Design Patent**
Hsieh

(10) **Patent No.:** **US D612,346 S**
(45) **Date of Patent:** **** Mar. 23, 2010**

(54) **LIGHT EMITTING DIODE**

(75) Inventor: **Chung-Chuan Hsieh**, Tucheng (TW)

(73) Assignee: **Everlight Electronics Co., Ltd.**,
Tucheng (TW)

(**) Term: **14 Years**

(21) Appl. No.: **29/338,430**

(22) Filed: **Jun. 11, 2009**

(30) **Foreign Application Priority Data**

Dec. 22, 2008 (TW) 97307202

(51) **LOC (9) Cl.** **13-03**

(52) **U.S. Cl.** **D13/180**

(58) **Field of Classification Search** D13/180;
D26/2; 257/79, 80, 81, 88, 89, 95, 98, 99,
257/100, E33.058; 313/483, 498, 500; 362/555,
362/800

See application file for complete search history.

(56) **References Cited**

U.S. PATENT DOCUMENTS

D490,782 S *	6/2004	Suenaga	D13/180
D519,943 S *	5/2006	Kamada	D13/180
D528,999 S	9/2006	Cho et al.		
D537,798 S *	3/2007	Shin et al.	D13/180
D558,156 S *	12/2007	Yoon et al.	D13/180
D597,499 S *	8/2009	Kokubu et al.	D13/180
D597,972 S *	8/2009	Kobayakawa	D13/180

2007/0284708 A1* 12/2007 Hanya 257/676

FOREIGN PATENT DOCUMENTS

JP	D1261967	2/2006
JP	D1288058	12/2006
TW	575349	2/2004

OTHER PUBLICATIONS

Taiwanese Search dated September 18, 2009 from corresponding Taiwanese Application No. 97307202.

* cited by examiner

Primary Examiner—Selina Sikder

(74) *Attorney, Agent, or Firm*—Grossman, Tucker, Perreault & Pflieger, PLLC

(57) **CLAIM**

The ornamental design for a light emitting diode, as shown and described.

DESCRIPTION

FIG. 1 is a perspective view of a light emitting diode showing the claimed design;

FIG. 2 is a another perspective view thereof;

FIG. 3 is a front elevational view thereof;

FIG. 4 is a rear elevational view thereof;

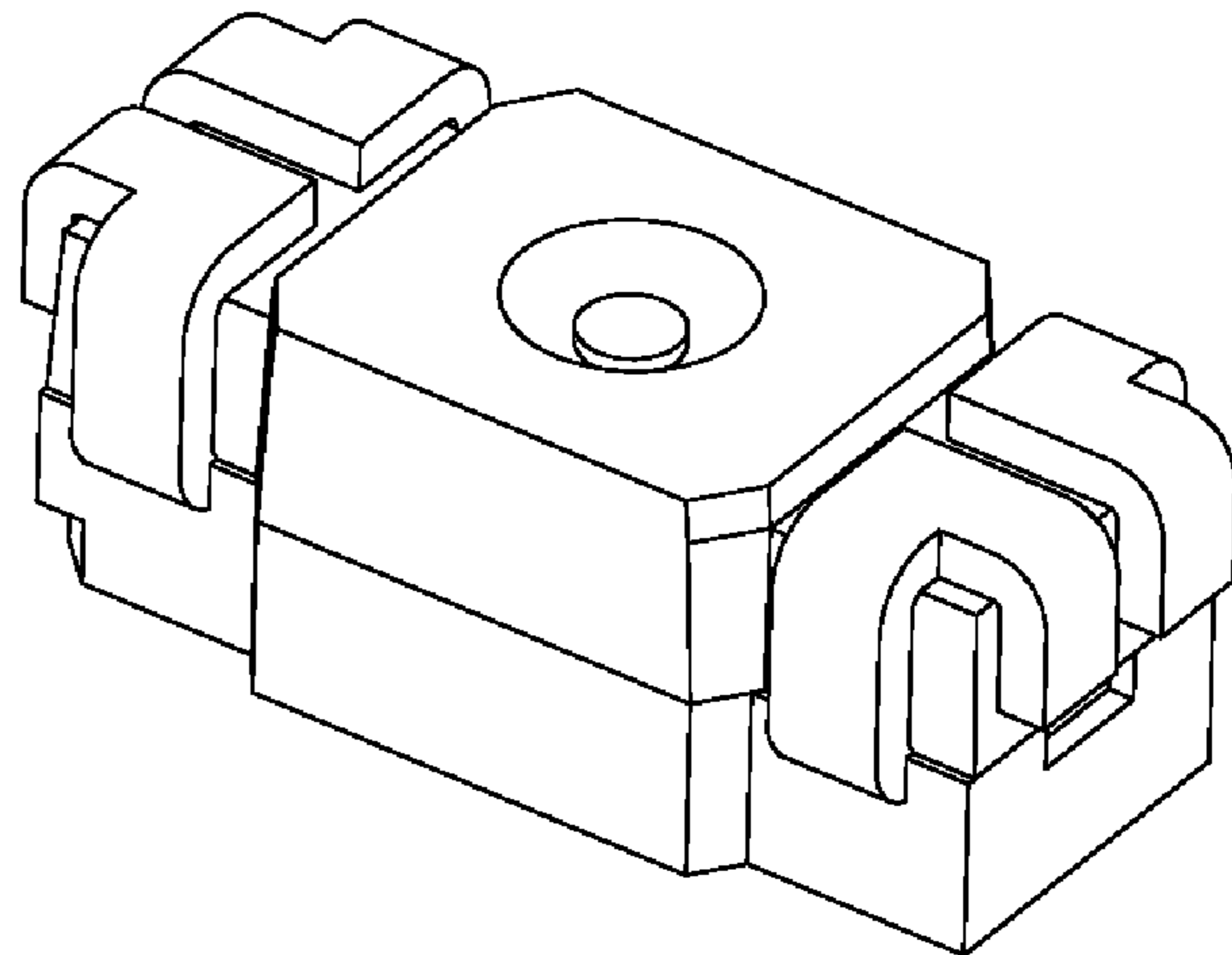
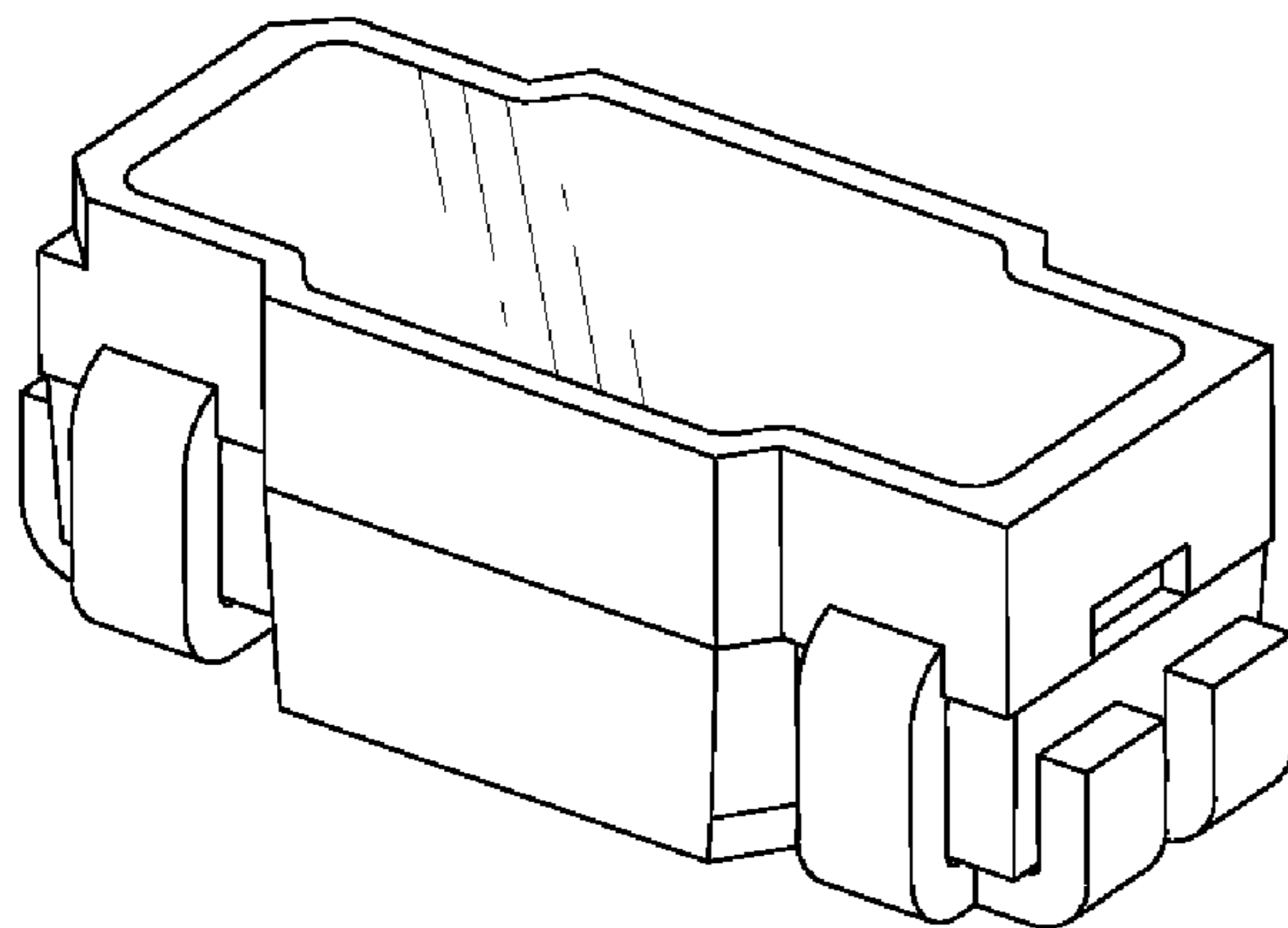
FIG. 5 is a left side elevational view thereof;

FIG. 6 is a right side elevational view thereof;

FIG. 7 is a top plan view thereof; and,

FIG. 8 is a bottom plan view thereof.

1 Claim, 5 Drawing Sheets



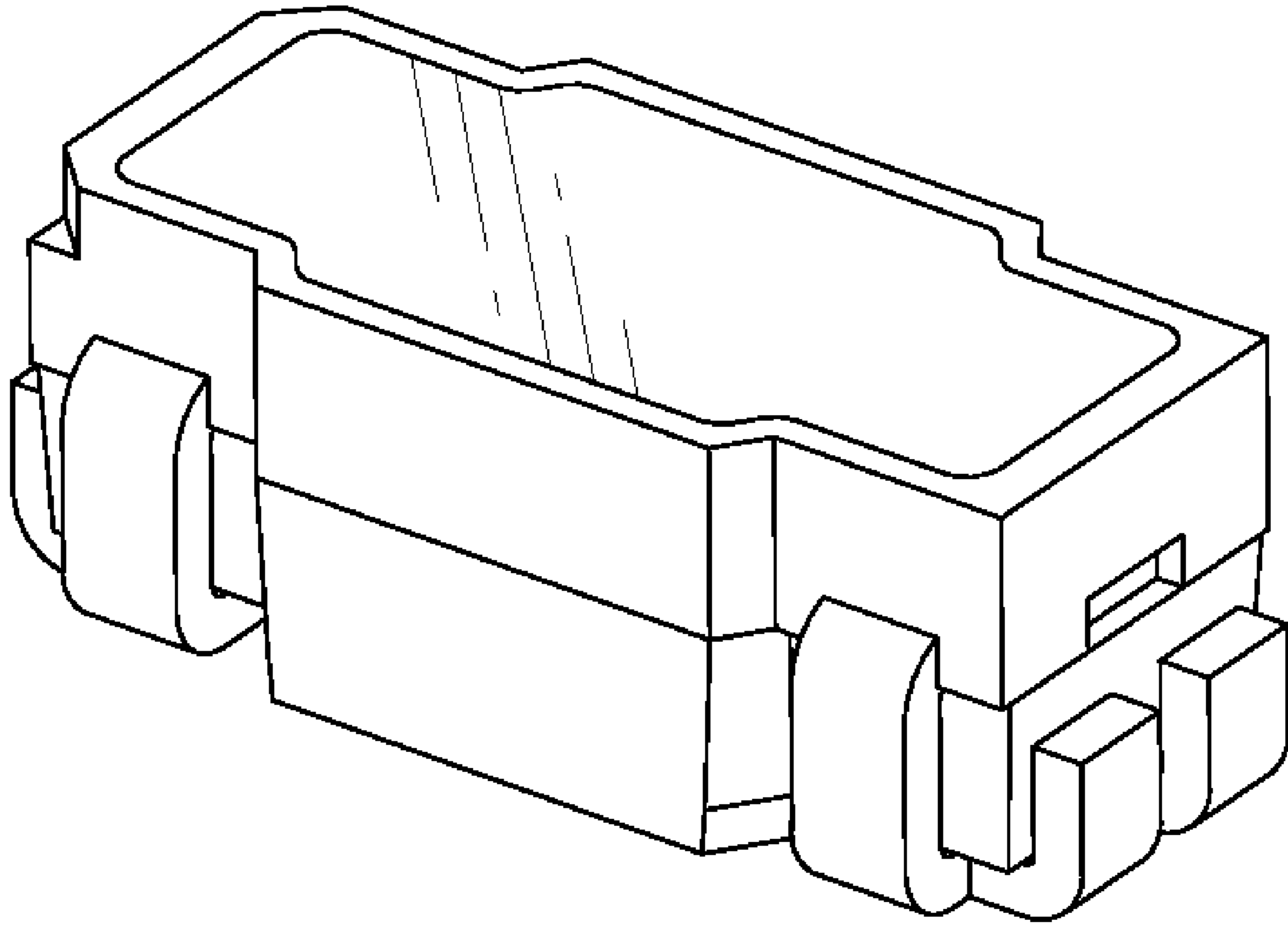


FIG. 1

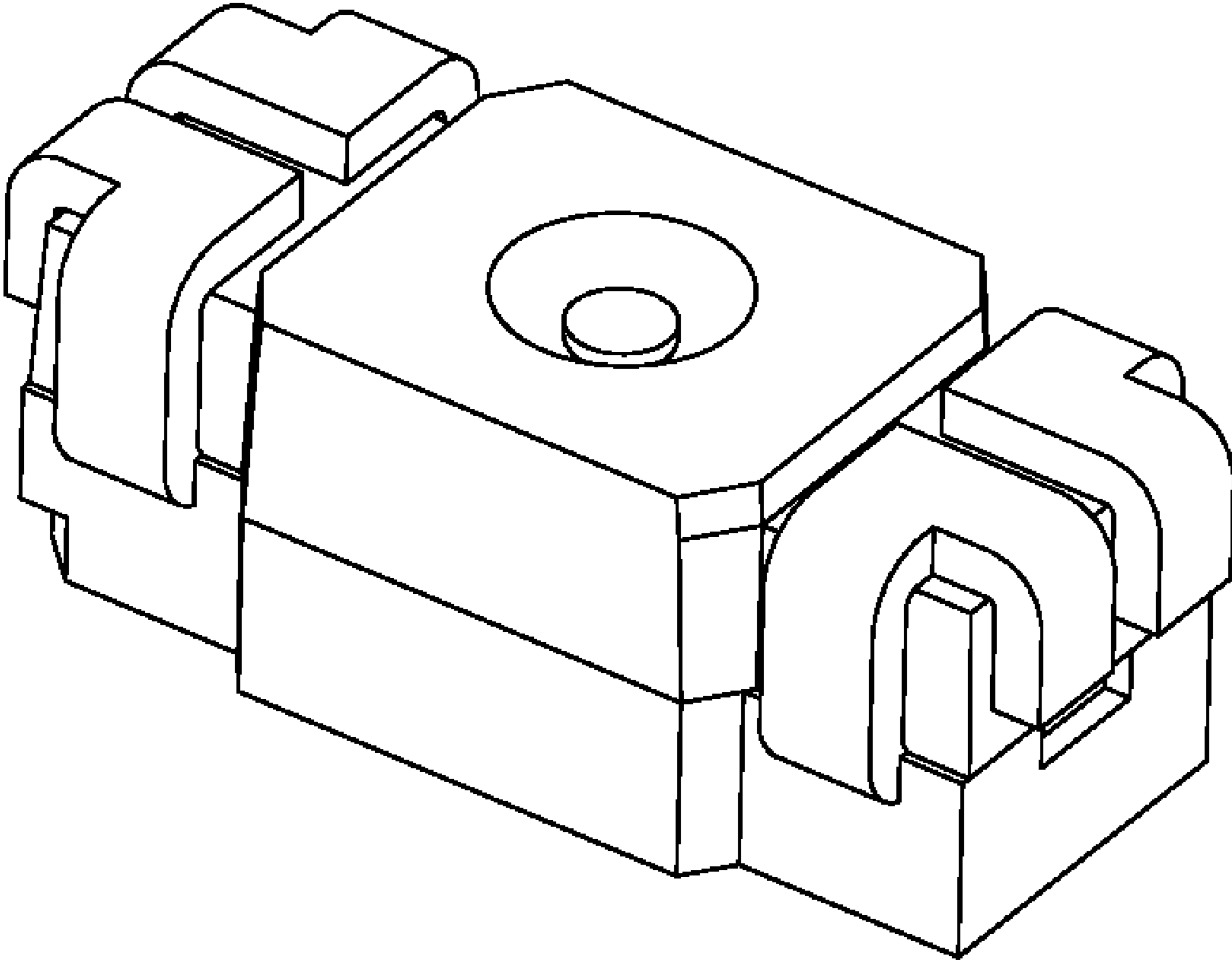


FIG. 2

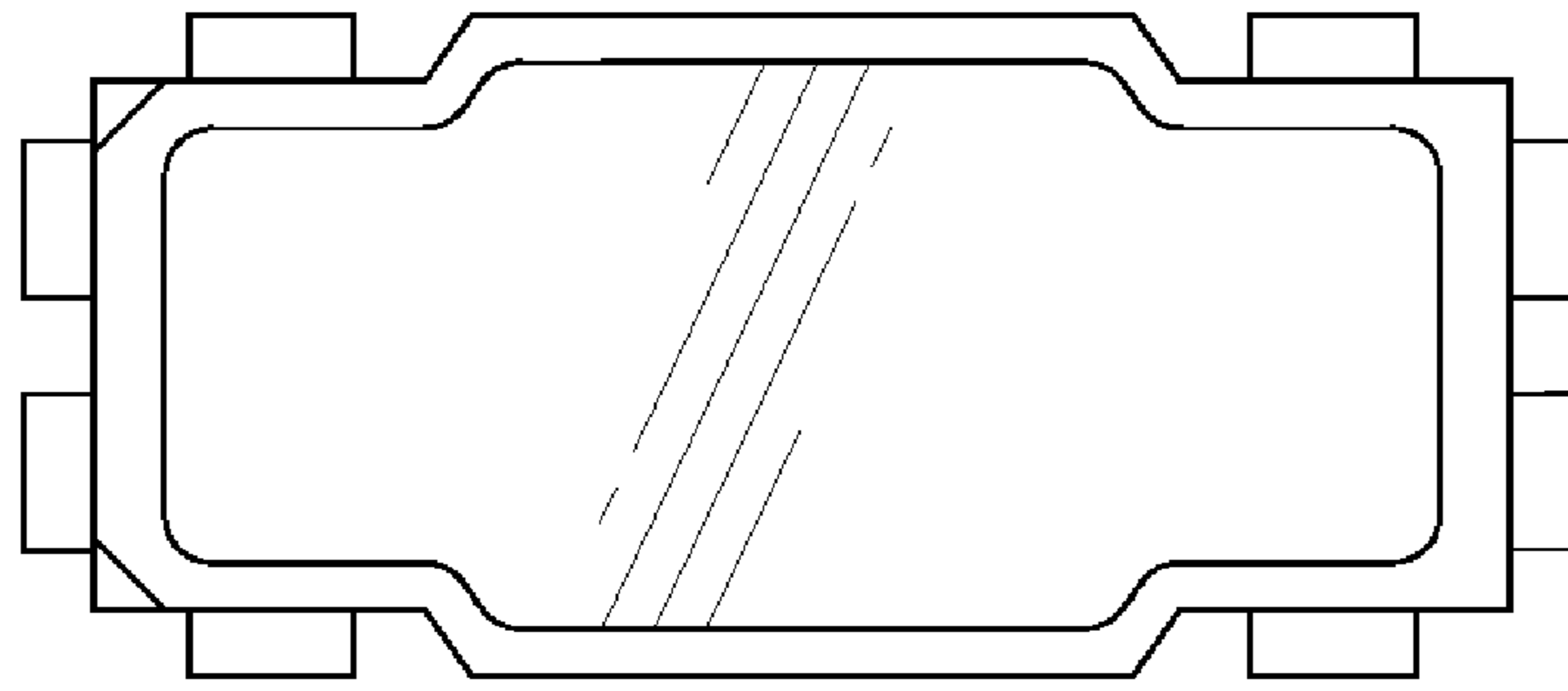


FIG. 3

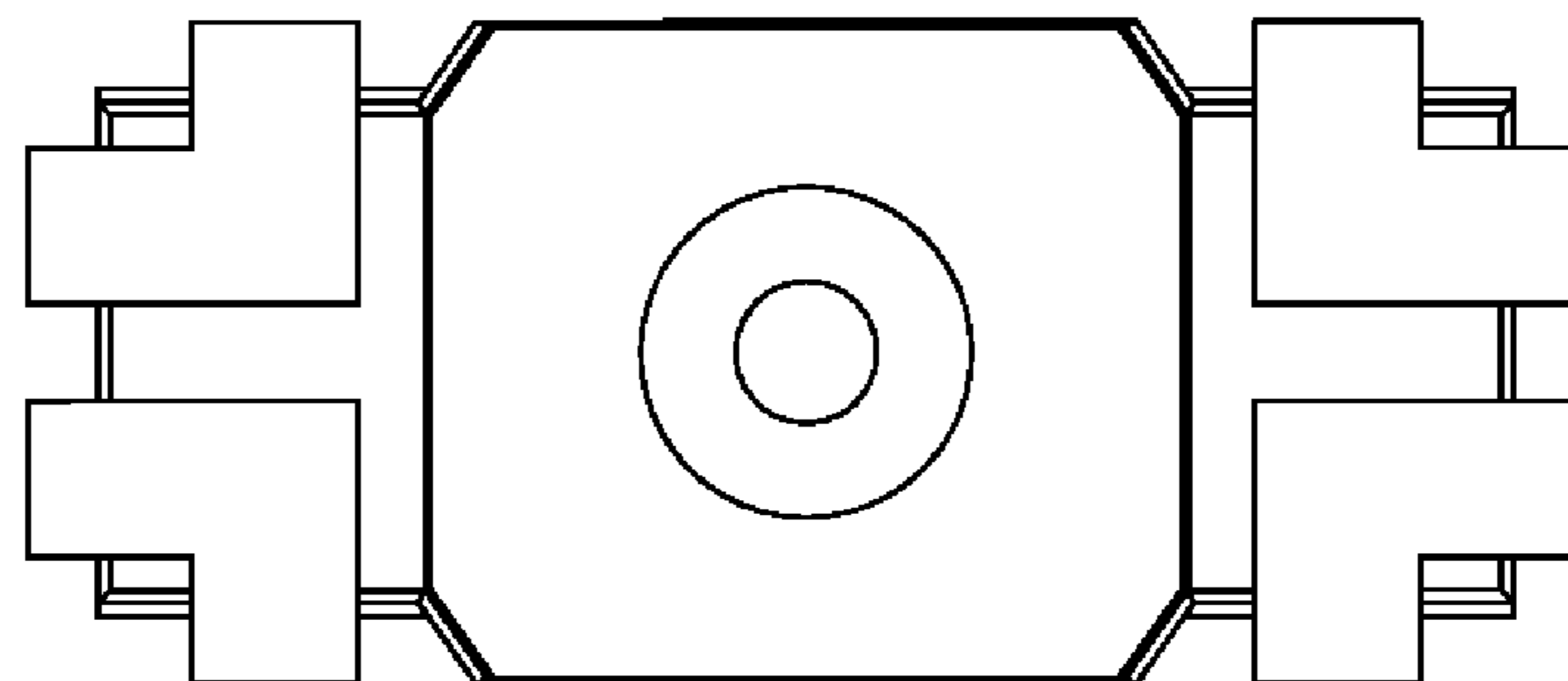


FIG. 4

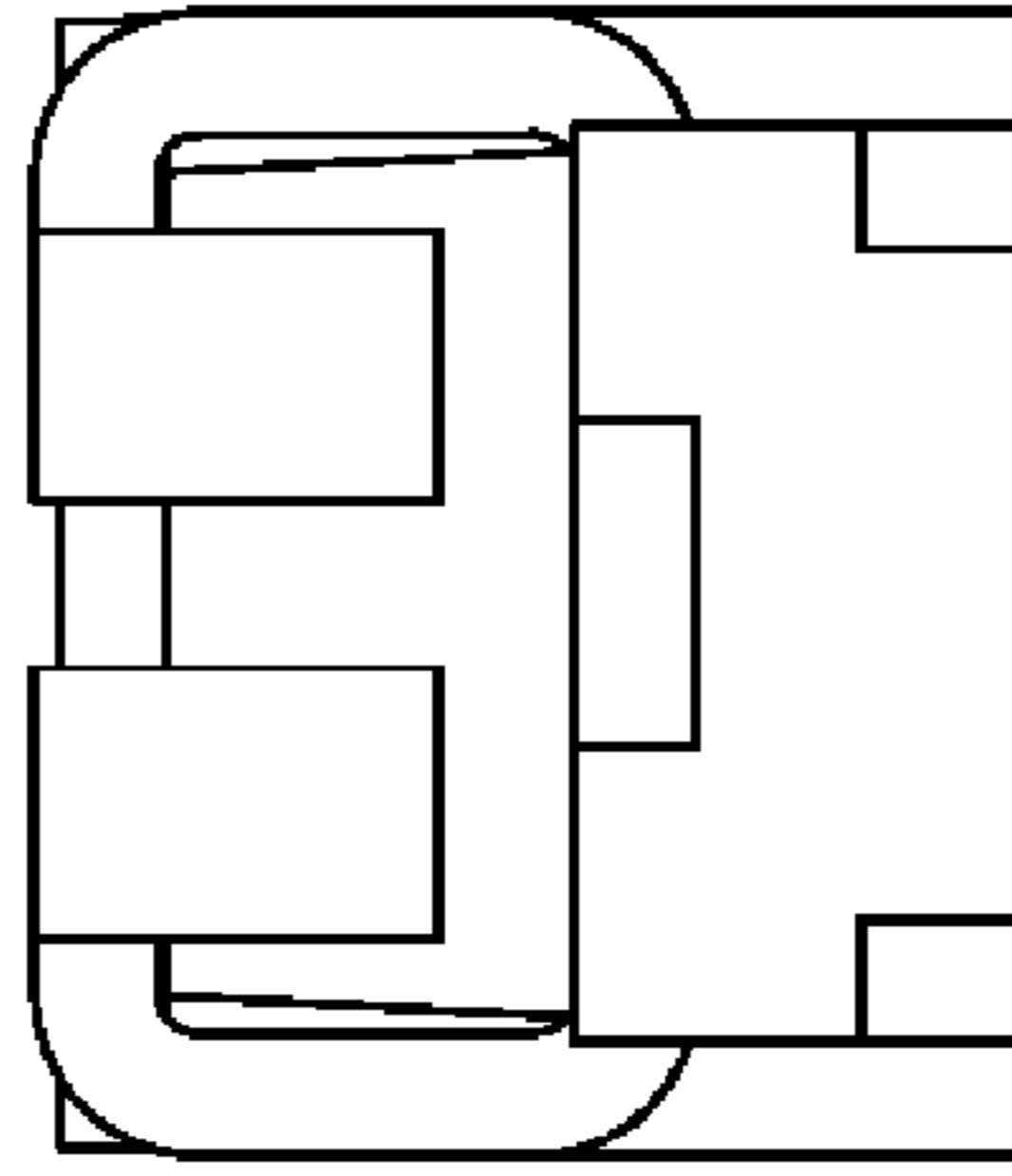


FIG. 5

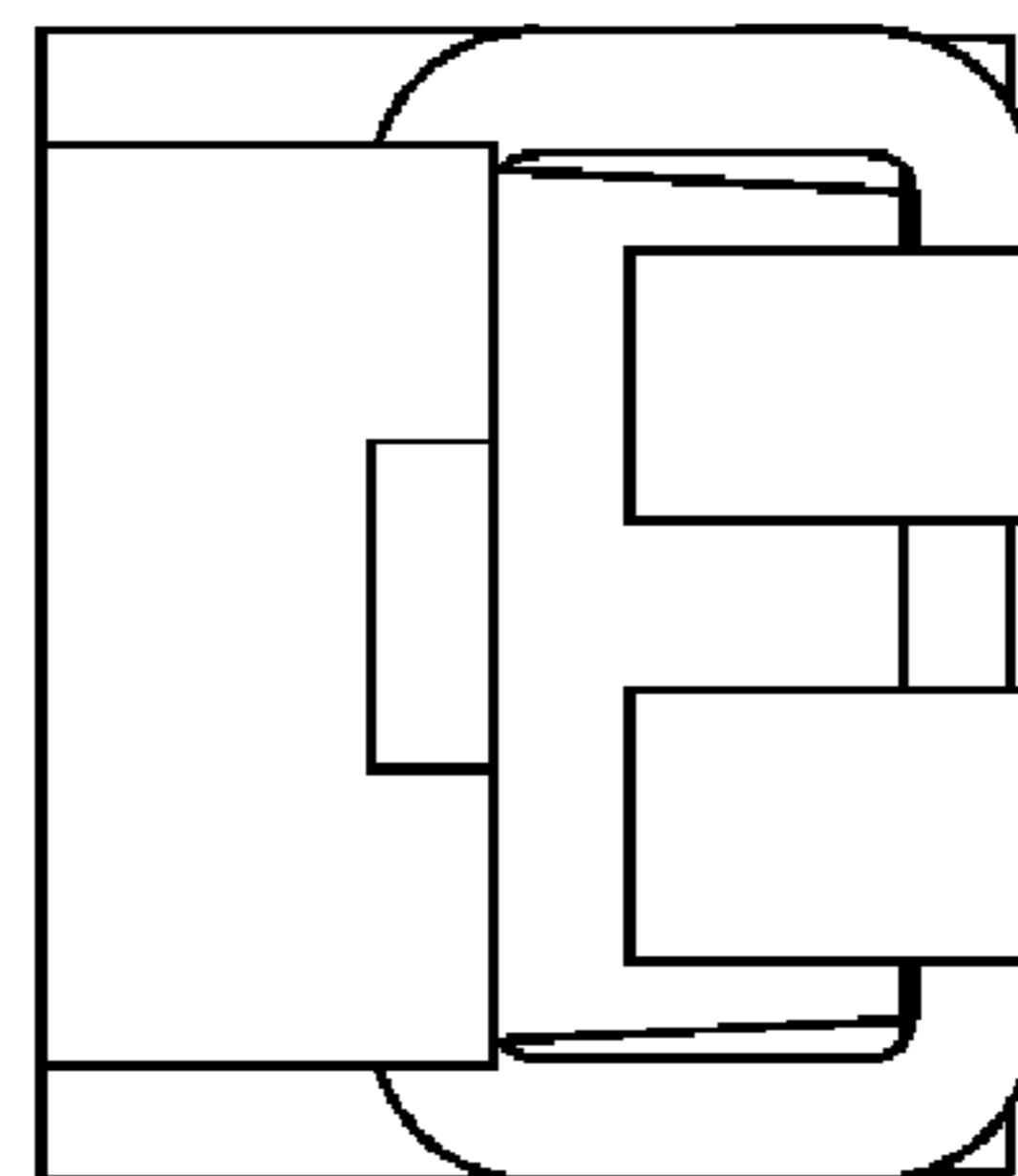


FIG. 6



FIG. 7

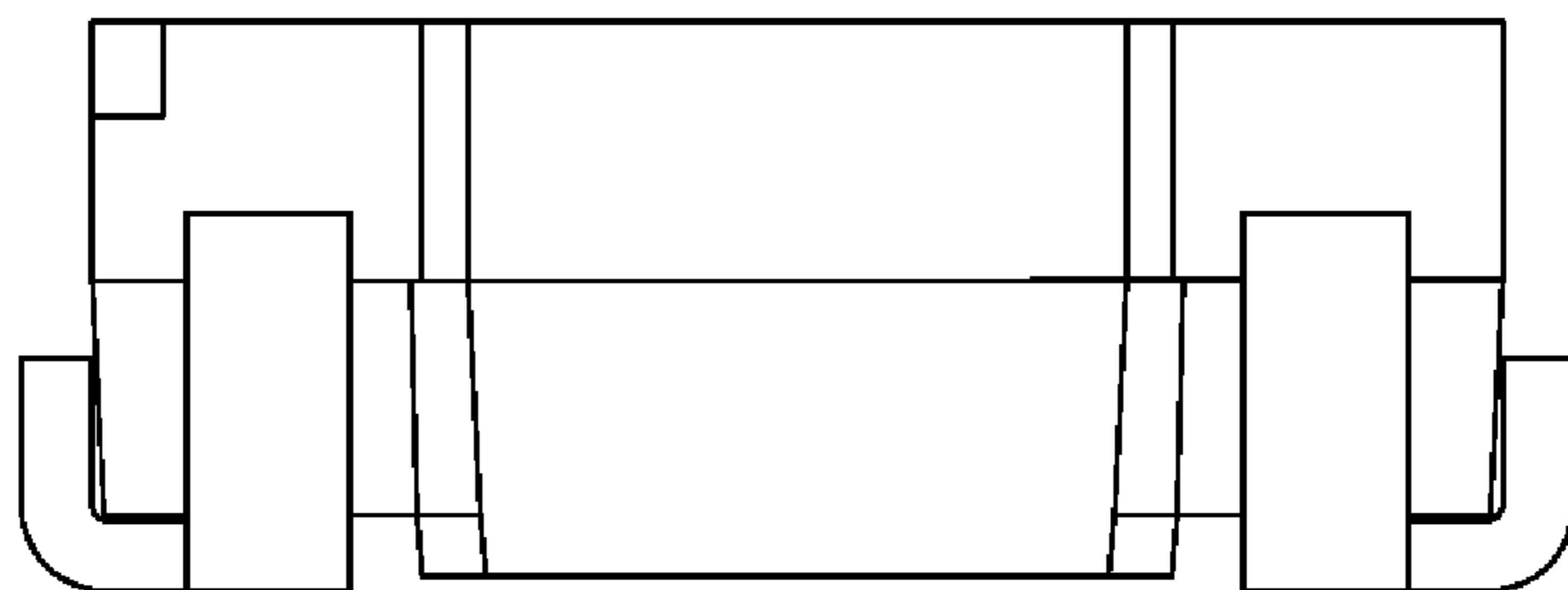


FIG. 8