



US00D612335S

(12) **United States Design Patent**
Lee

(10) **Patent No.:** **US D612,335 S**
(45) **Date of Patent:** **** *Mar. 23, 2010**

(54) **ELECTRICAL CONNECTOR**

(75) Inventor: **Scott David Lee**, Terigal (AU)

(73) Assignee: **ADC GmbH**, Berlin (DE)

(*) Notice: This patent is subject to a terminal disclaimer.

(**) Term: **14 Years**

(21) Appl. No.: **29/302,008**

(22) Filed: **Jan. 8, 2008**

(30) **Foreign Application Priority Data**

Jul. 10, 2007 (AU) 18781/2007

(51) **LOC (9) Cl.** **13-03**

(52) **U.S. Cl.** **D13/147**

(58) **Field of Classification Search** D13/133,
D13/146-147, 154, 184; 439/144, 404, 607-610,
439/638, 668, 676, 894

See application file for complete search history.

(56) **References Cited**

U.S. PATENT DOCUMENTS

5,224,868	A	7/1993	Tseng	
5,769,647	A	6/1998	Tulley et al.	
5,964,600	A	10/1999	Miles et al.	
6,352,375	B1	3/2002	Shimoji et al.	
D555,597	S *	11/2007	Phung et al.	D13/154
7,338,315	B2	3/2008	Fauriot et al.	
7,364,444	B2	4/2008	Kellock et al.	
D572,661	S *	7/2008	En Lin et al.	D13/133
D576,550	S *	9/2008	Chen et al.	D13/133

D587,651	S *	3/2009	Allwood et al.	D13/133
D594,415	S *	6/2009	Shitakata	D13/133
2004/0142589	A1	7/2004	Caveney	
2009/0017656	A1 *	1/2009	Lee	439/144

FOREIGN PATENT DOCUMENTS

WO WO 2005/025007 A1 3/2005

OTHER PUBLICATIONS

U.S. Appl. No. 29/302,006.

U.S. Appl. No. 11/971,038.

* cited by examiner

Primary Examiner—Daniel D Bui

(74) *Attorney, Agent, or Firm*—Merchant & Gould P.C.

(57) **CLAIM**

The ornamental design for the electrical connector, as shown and described.

DESCRIPTION

FIG. 1 is a front view of an electrical connector showing my design;

FIG. 2 is a back view thereof;

FIG. 3 is a top view thereof;

FIG. 4 is a bottom view thereof;

FIG. 5 is a side view thereof;

FIG. 6 is another side view thereof; and,

FIG. 7 is a perspective view thereof.

The broken lines in FIGS. 1-7 are included to illustrate unclaimed internal details and form no part of the claimed design.

1 Claim, 7 Drawing Sheets

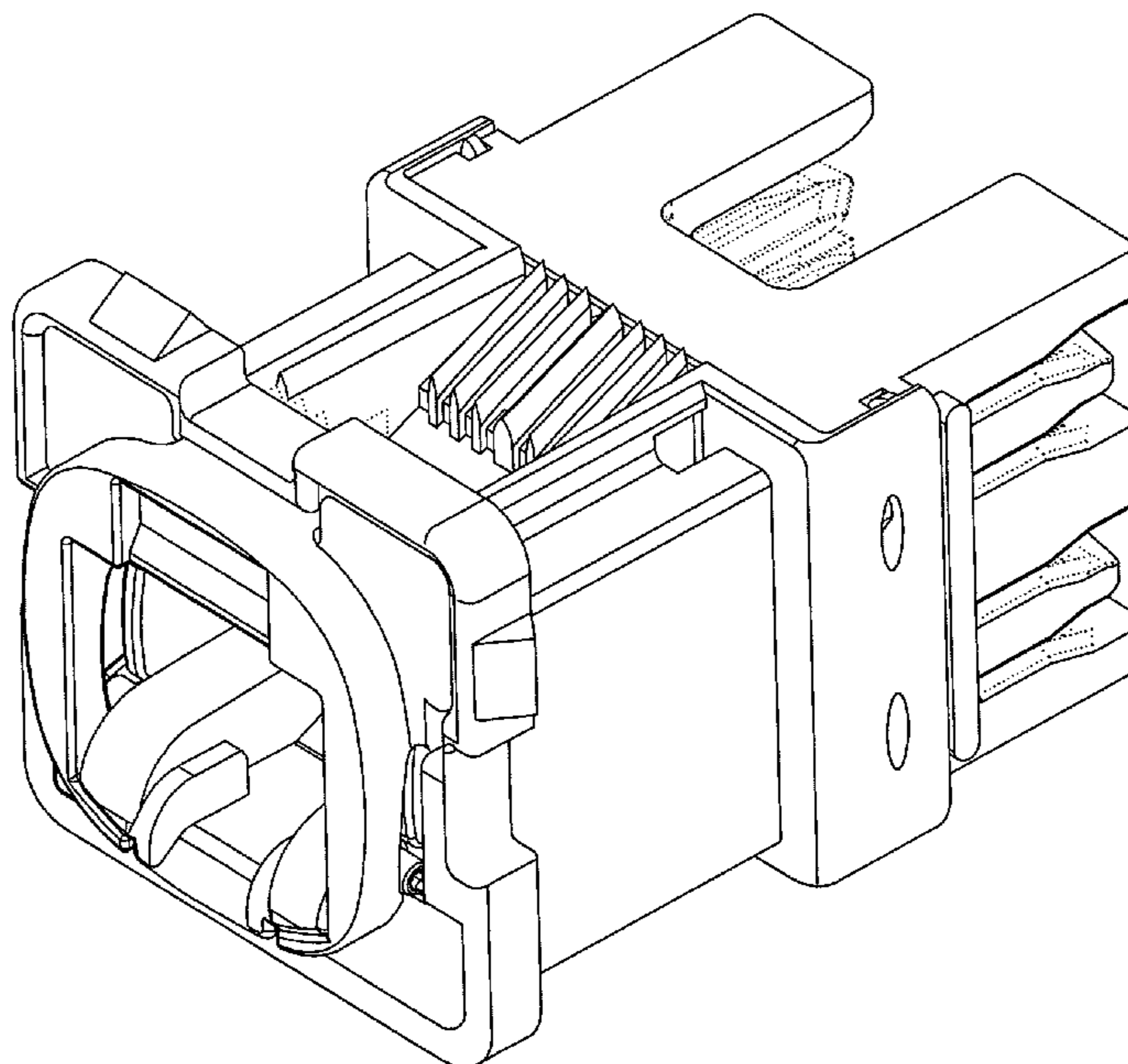


FIG. 1

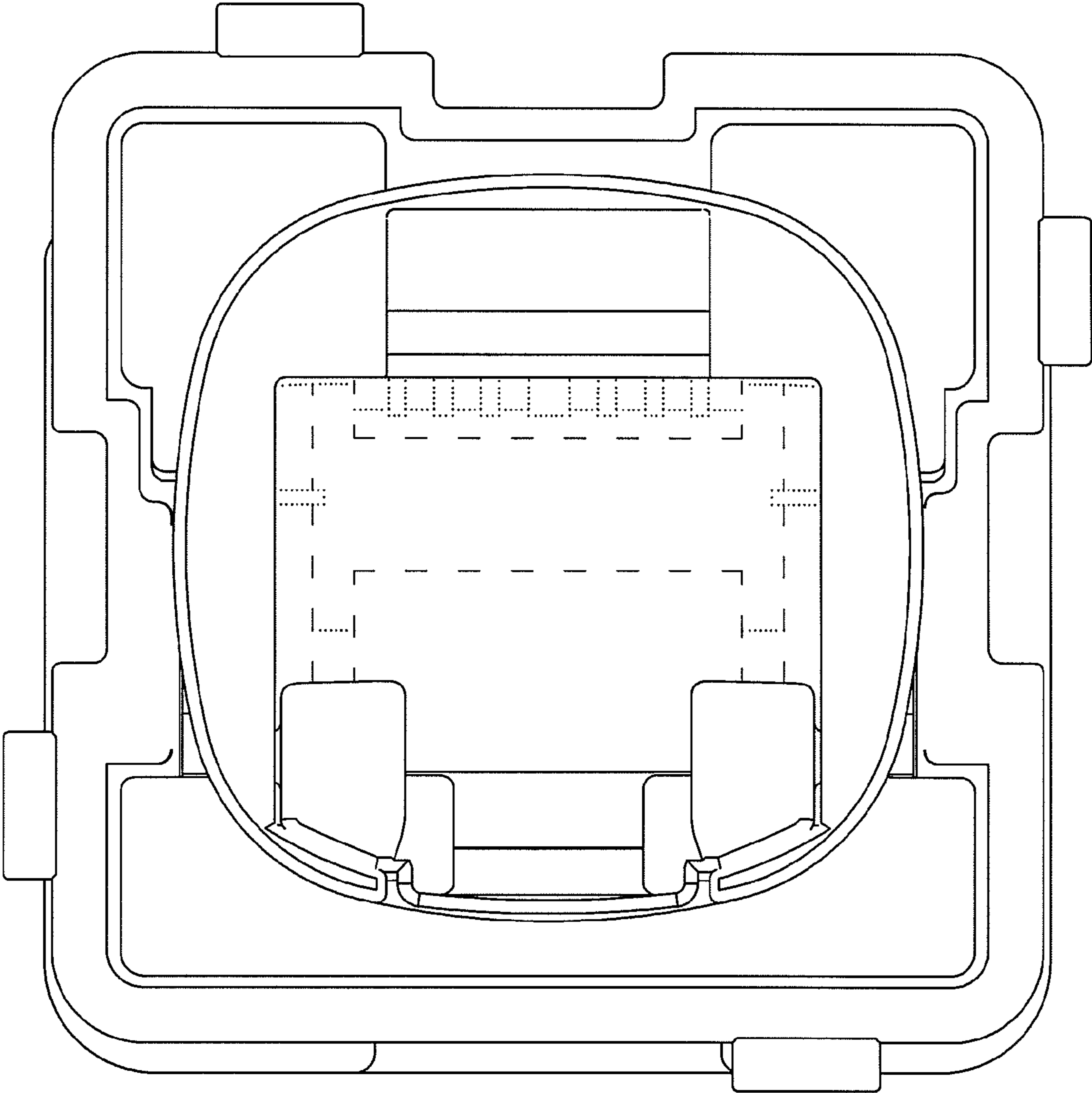


FIG. 2

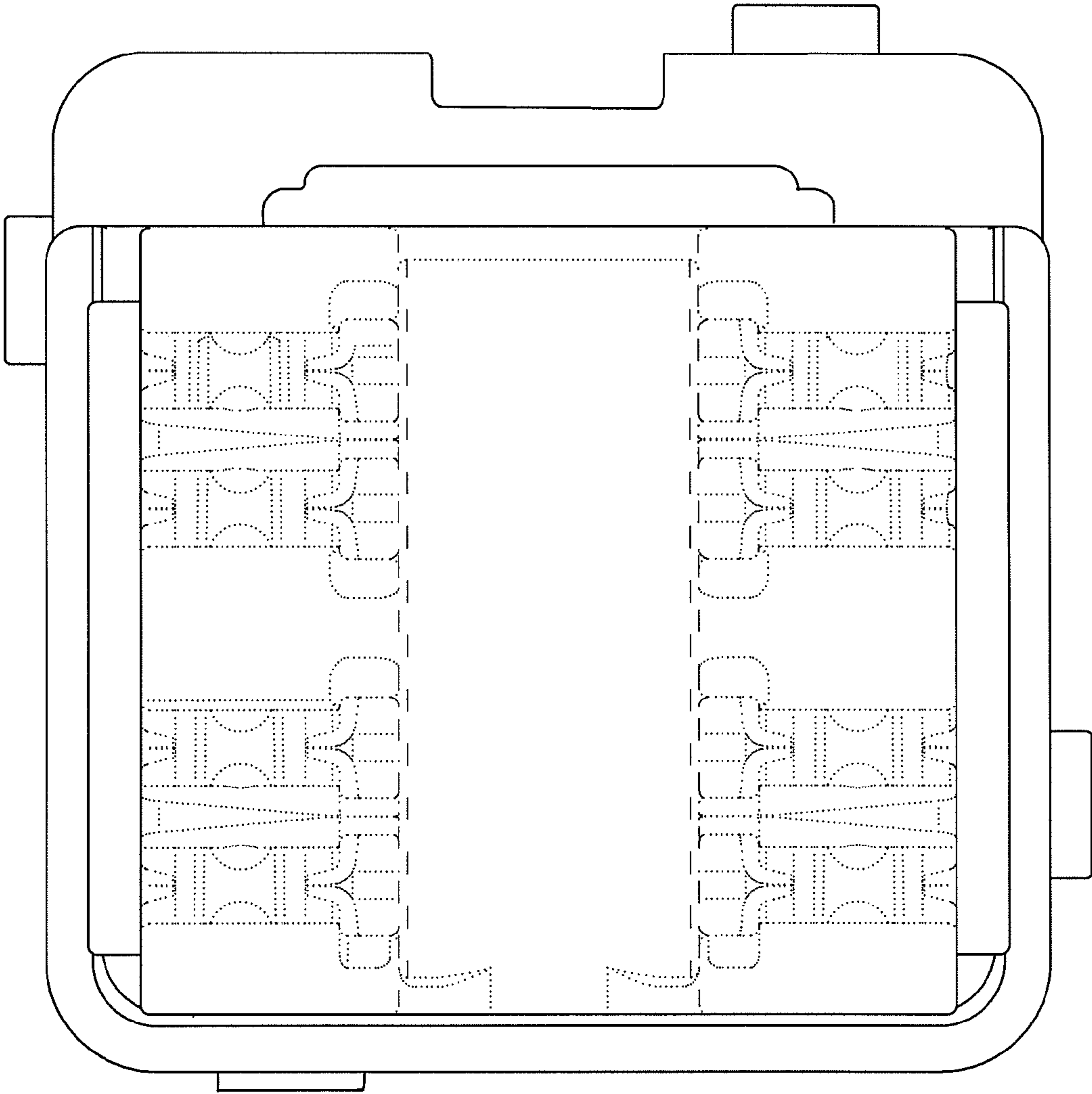


FIG. 3

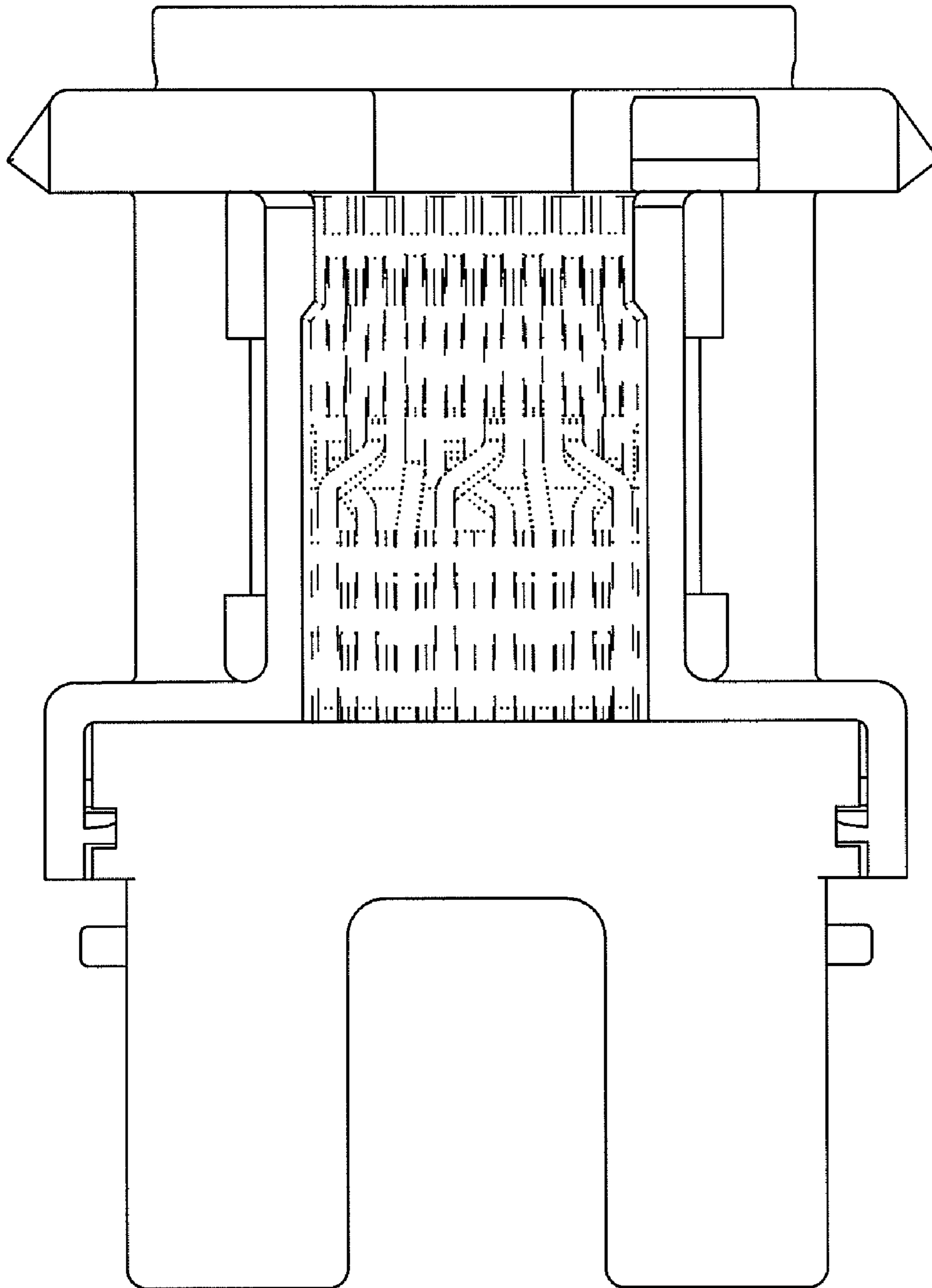


FIG. 4

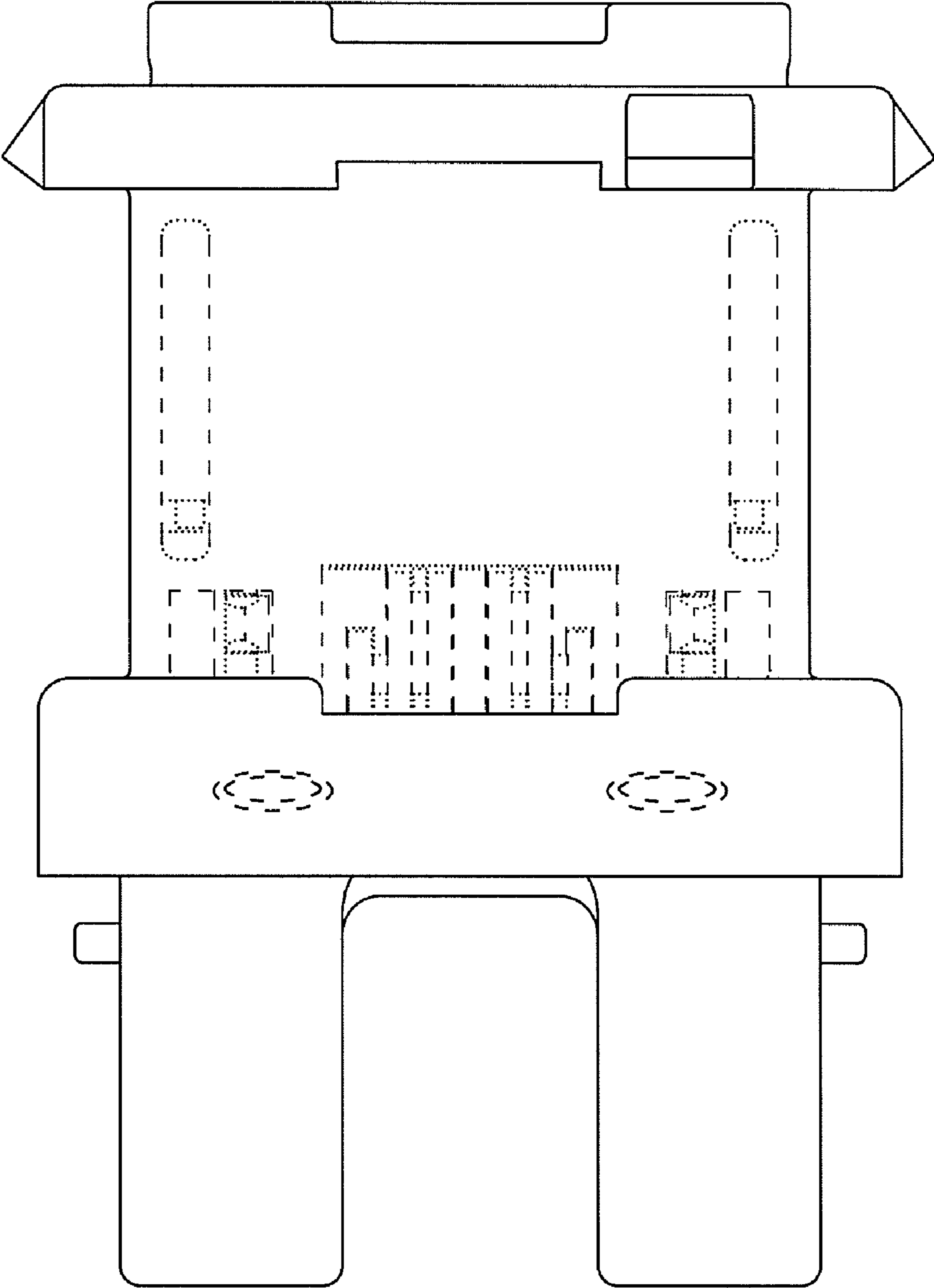


FIG. 5

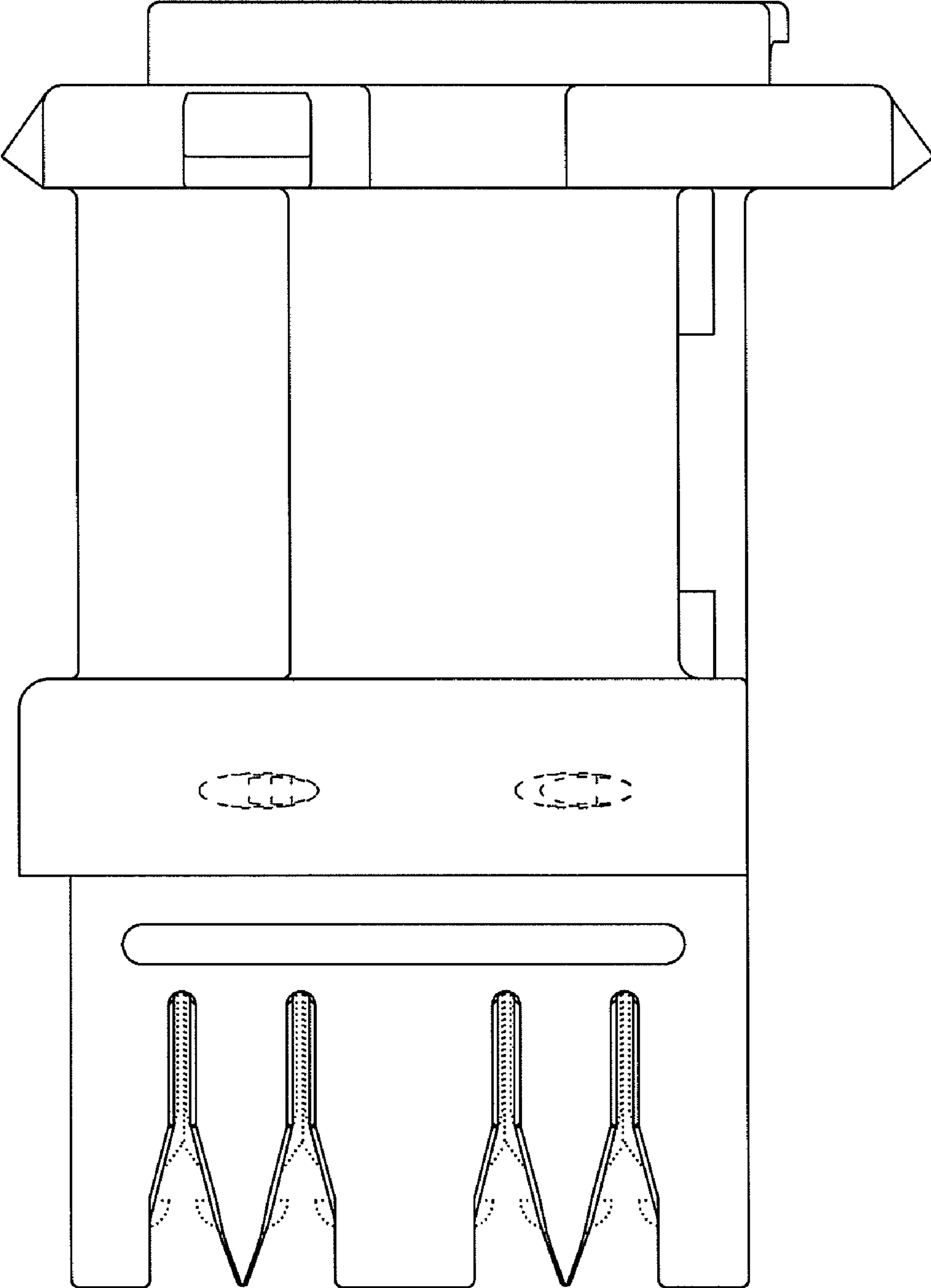


FIG. 6

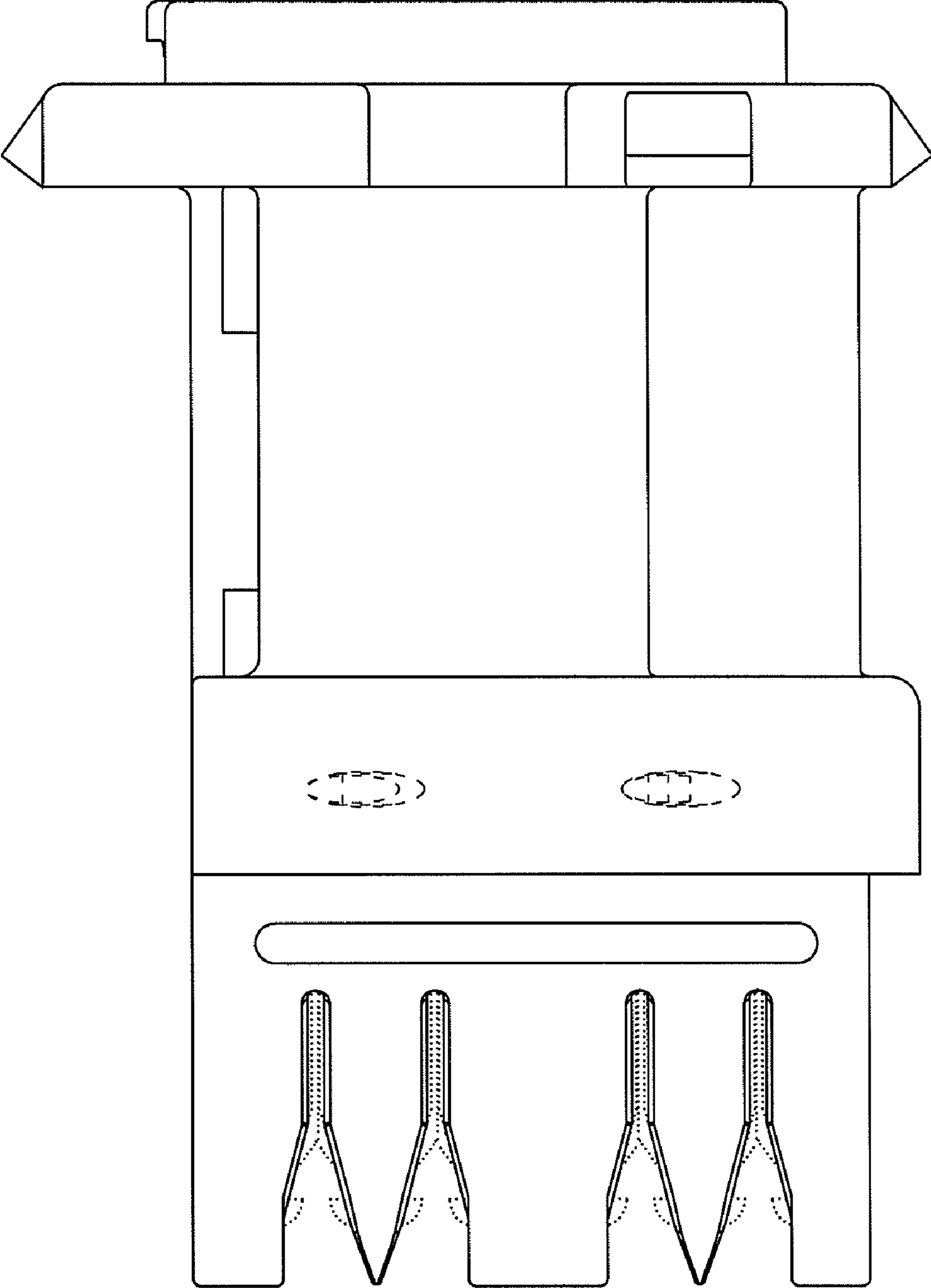


FIG. 7

