



US00D612334S

(12) **United States Design Patent**  
**Lee**

(10) **Patent No.:** **US D612,334 S**  
(45) **Date of Patent:** **\*\* Mar. 23, 2010**

(54) **ELECTRICAL CONNECTOR**

2004/0142589 A1 7/2004 Caveney  
2009/0017656 A1\* 1/2009 Lee ..... 439/144

(75) Inventor: **Scott David Lee**, Terigal (AU)

**FOREIGN PATENT DOCUMENTS**

(73) Assignee: **ADC GmbH**, Berlin (DE)

WO WO 2005/025007 A1 3/2005

(\*\*) Term: **14 Years**

**OTHER PUBLICATIONS**

(21) Appl. No.: **29/302,006**

U.S. Appl. No. 29/302,008.  
U.S. Appl. No. 11/971,038.

(22) Filed: **Jan. 8, 2008**

\* cited by examiner

(30) **Foreign Application Priority Data**

*Primary Examiner*—Daniel D Bui  
(74) *Attorney, Agent, or Firm*—Merchant & Gould P.C.

Jul. 10, 2007 (AU) ..... 18780/2007

(57) **CLAIM**

(51) **LOC (9) Cl.** ..... **13-03**

The ornamental design for the electrical connector, as shown and described.

(52) **U.S. Cl.** ..... **D13/147**

(58) **Field of Classification Search** ..... D13/133,  
D13/146–147, 154, 184; 439/144, 404, 607–610,  
439/638, 668, 676, 894  
See application file for complete search history.

**DESCRIPTION**

(56) **References Cited**

FIG. 1 is a front view of an electrical connector showing my design;  
FIG. 2 is a back view thereof;  
FIG. 3 is a top view thereof;  
FIG. 4 is a bottom view thereof;  
FIG. 5 is a side view thereof;  
FIG. 6 is another side view thereof; and,  
FIG. 7 is a perspective view thereof.  
The broken lines in FIGS. 2–7 are included to illustrate unclaimed internal details and form no part of the claimed design.

**U.S. PATENT DOCUMENTS**

5,224,868 A	7/1993	Tseng	
5,769,647 A	6/1998	Tulley et al.	
5,964,600 A	10/1999	Miles et al.	
6,352,375 B1	3/2002	Shimoji et al.	
D555,597 S *	11/2007	Phung et al. ....	D13/154
7,338,315 B2	3/2008	Fauriot et al.	
7,364,444 B2	4/2008	Kellock et al.	
D572,661 S *	7/2008	En Lin et al. ....	D13/133
D576,550 S *	9/2008	Chen et al. ....	D13/133
D587,651 S *	3/2009	Allwood et al. ....	D13/133
D594,415 S *	6/2009	Shitakata ....	D13/133

**1 Claim, 7 Drawing Sheets**

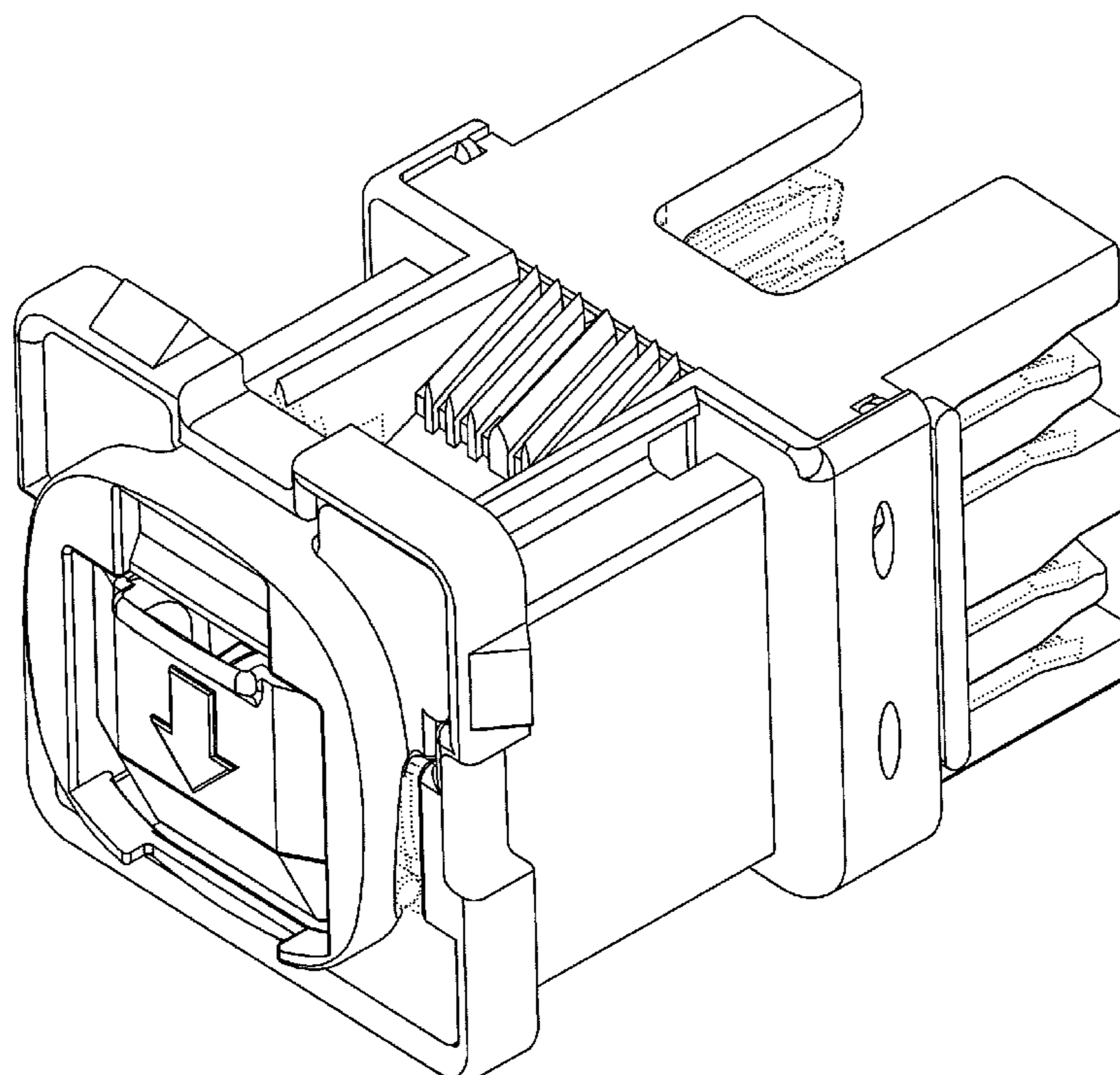


FIG. 1

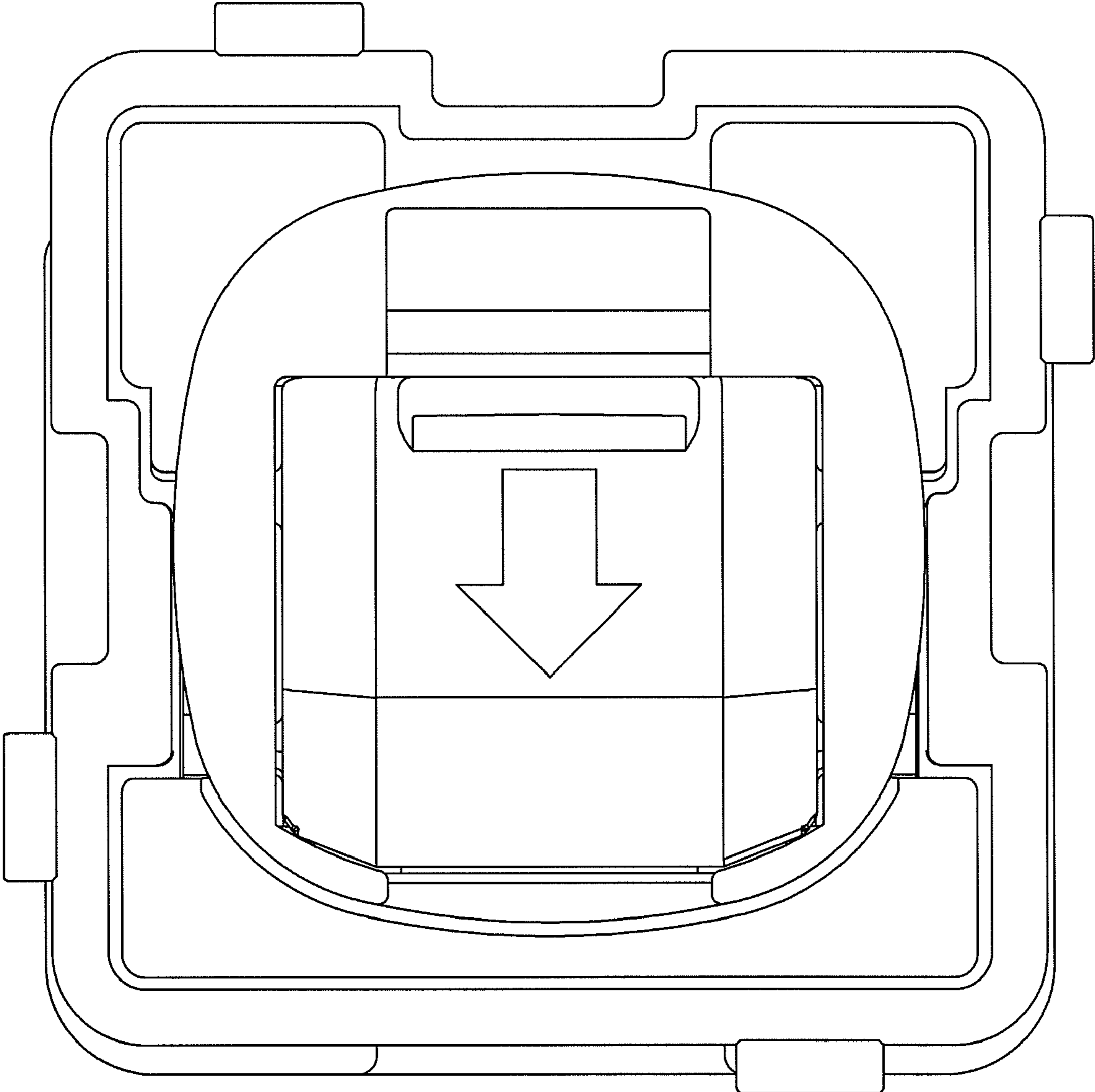


FIG. 2

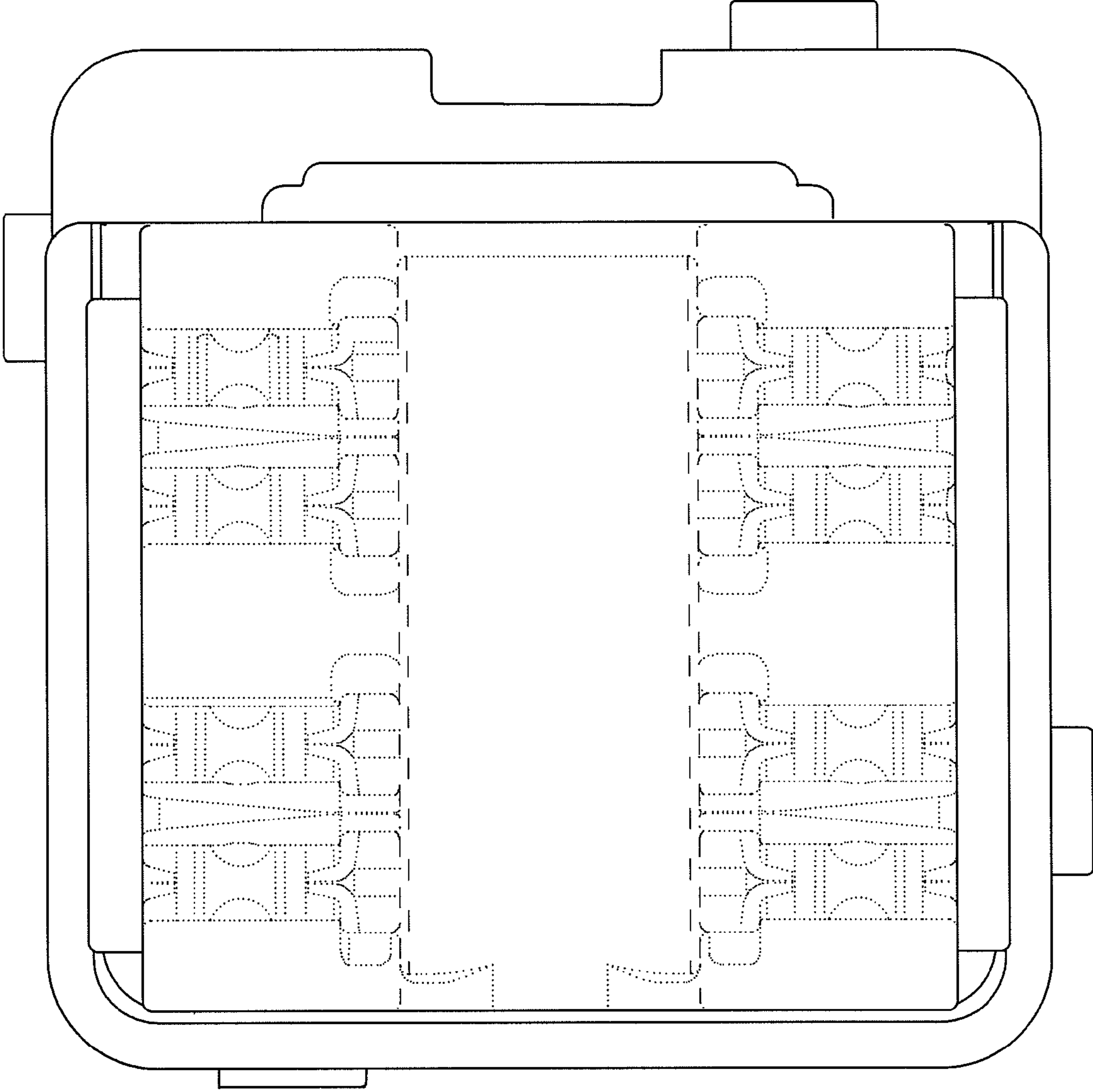


FIG. 3

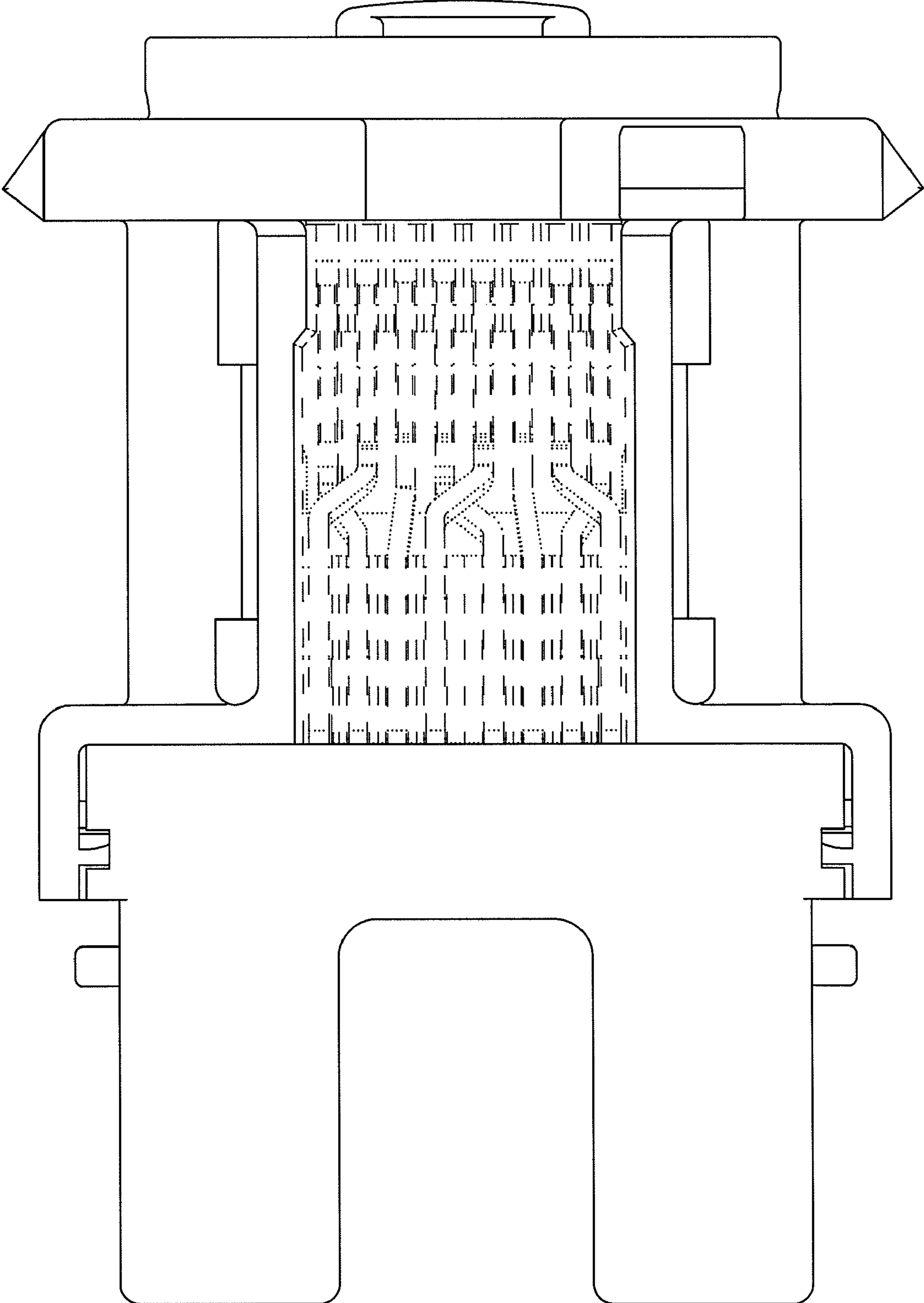


FIG. 4

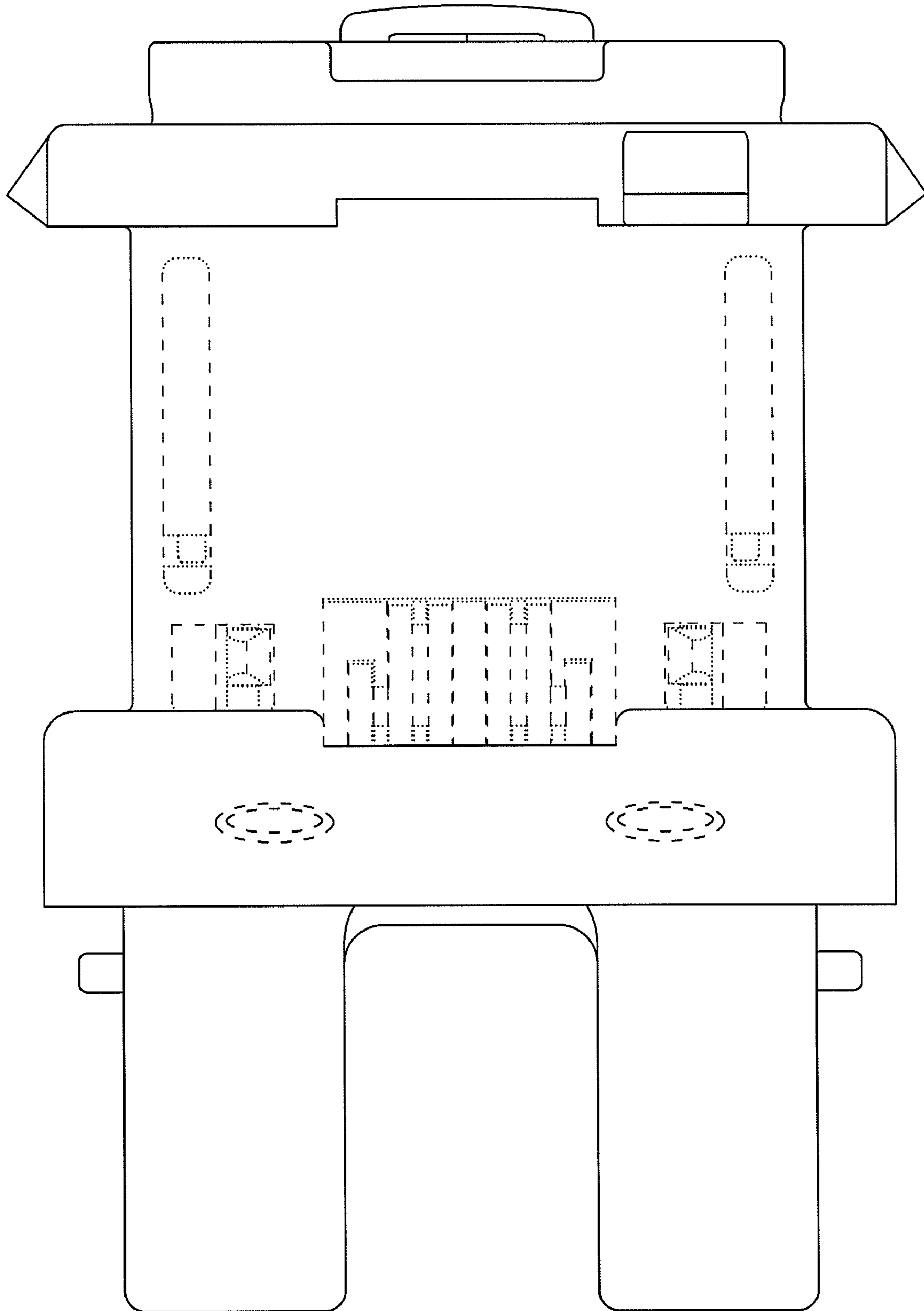


FIG. 5

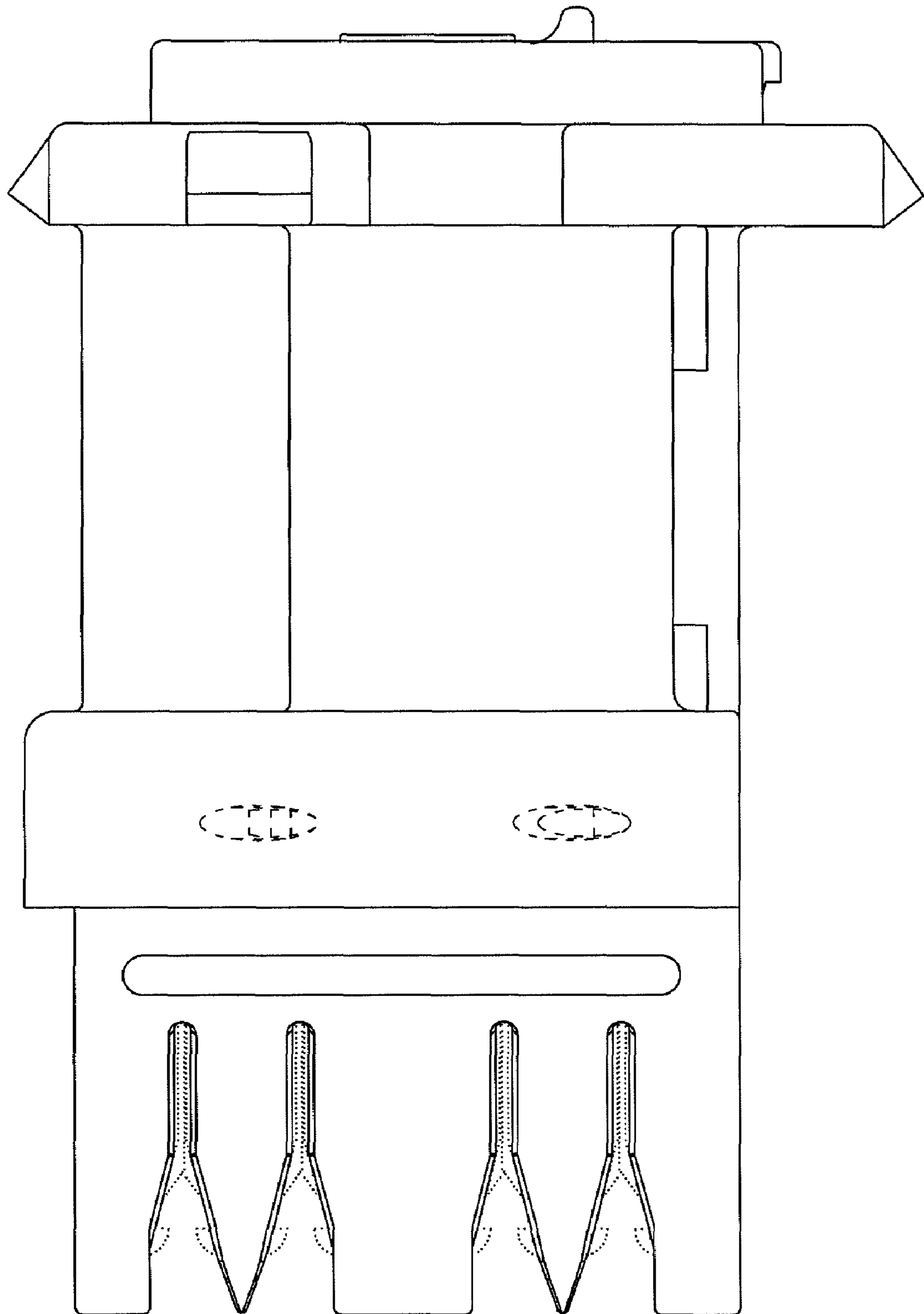


FIG. 6

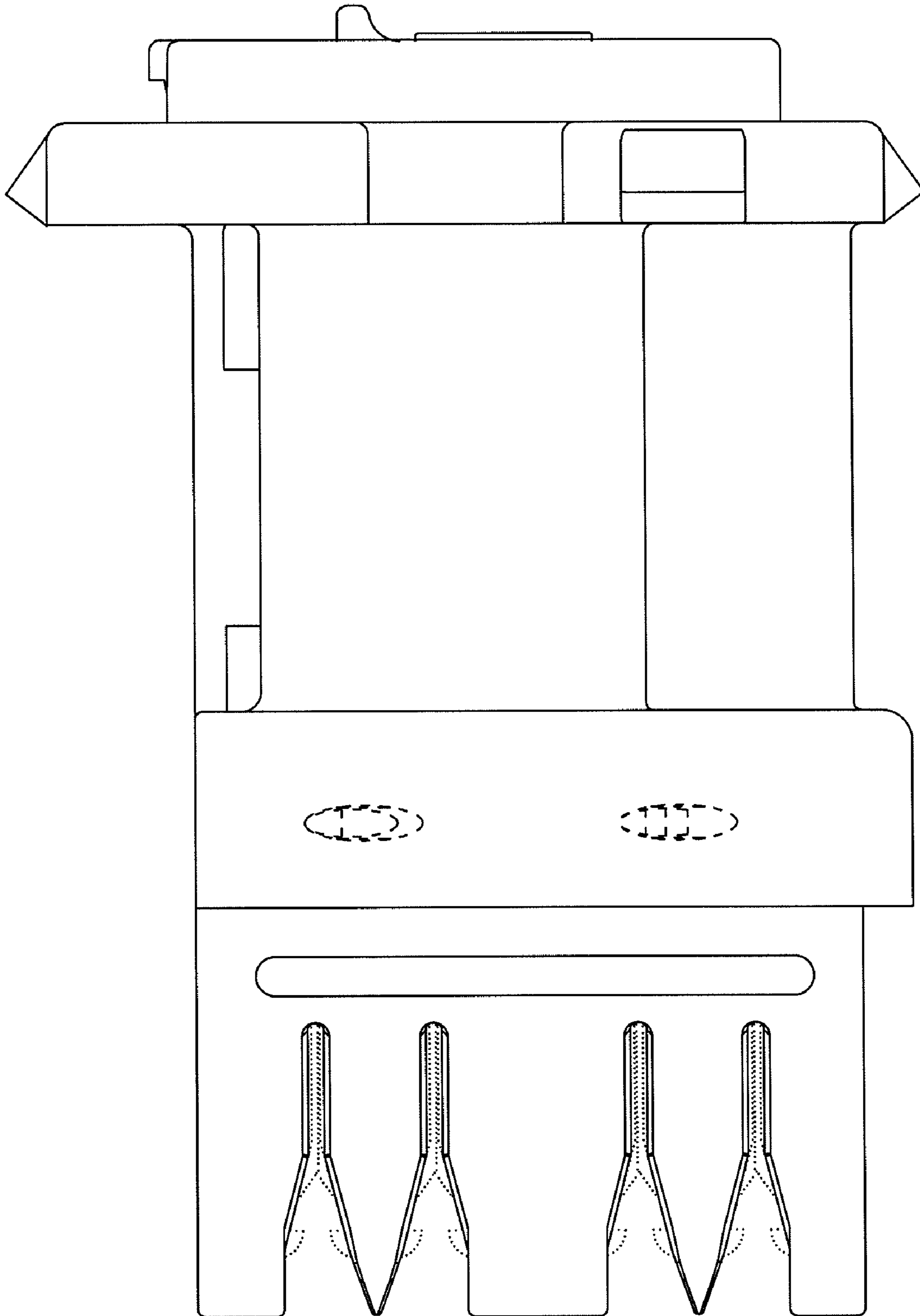


FIG. 7

