



US00D612332S

(12) **United States Design Patent**  
**Schmeisser**

(10) **Patent No.:** **US D612,332 S**  
(45) **Date of Patent:** **\*\* \*Mar. 23, 2010**

(54) **ROTOR**

(75) Inventor: **Dirk Schmeisser**, Velen (DE)

(73) Assignee: **Foseco International Limited**,  
Staffordshire (GB)

(\*\*) Term: **14 Years**

(21) Appl. No.: **29/304,265**

(22) Filed: **Feb. 27, 2008**

(30) **Foreign Application Priority Data**

Aug. 30, 2007 (EM) ..... 000781273-0005

(51) **LOC (9) Cl.** ..... **13-01**

(52) **U.S. Cl.** ..... **D13/122**

(58) **Field of Classification Search** ..... D13/122,  
D13/112, 118; 29/598, 609; 164/91; 310/156.01,  
310/184, 201, 216, 218, 254, 257-263  
See application file for complete search history.

(56) **References Cited**

**U.S. PATENT DOCUMENTS**

3,227,547 A	1/1966	Szekely	
3,792,848 A	2/1974	Ostberg	
3,802,872 A	4/1974	Ostberg	
3,849,119 A	11/1974	Bruno et al	
3,972,709 A	8/1976	Chia et al.	
4,018,598 A	4/1977	Markus	
4,268,772 A *	5/1981	Workman	310/197
4,611,790 A	9/1986	Otsuka et al.	
4,634,105 A	1/1987	Withers et al.	
4,670,050 A	6/1987	Ootsuka et al.	
4,717,540 A	1/1988	McRae et al.	
4,743,428 A	5/1988	McRae et al.	
4,908,060 A	3/1990	Duenkelmann	
D320,191 S *	9/1991	Yamaguchi	D13/112
5,160,693 A	11/1992	Eckert et al.	
5,364,078 A	11/1994	Pelton	
5,488,984 A *	2/1996	Fahy	164/91
5,861,700 A *	1/1999	Kim	310/261
D406,229 S *	3/1999	Lucht	D8/382
5,889,346 A *	3/1999	Uchida et al.	310/156.57

6,056,803 A	5/2000	Waite	
6,060,013 A	5/2000	Le Brun et al.	
D441,715 S *	5/2001	Sasaki et al.	D13/122
D443,585 S *	6/2001	Shida et al.	D13/122
6,772,503 B1 *	8/2004	Fathimulla et al.	29/598
6,960,239 B2	11/2005	Bilodeau et al.	
2004/0113511 A1 *	6/2004	Schmidt et al.	310/218
2006/0180962 A1	8/2006	Thut	

**FOREIGN PATENT DOCUMENTS**

CA	2073706	1/1994
DE	103 01 561 A1	2/2004
EP	0 183 402 B1	6/1986
EP	0 332 292 B1	9/1989
EP	1 573 077 B1	9/2005
GB	1 410 898	10/1975
GB	1 578 570	11/1980
JP	7-55365	3/1995
WO	WO 02/22900 A2	3/2002

**OTHER PUBLICATIONS**

U.S. Appl. No. 29/304,266, filed Feb. 27, 2008.  
U.S. Appl. No. 29/403,264, filed Feb. 27, 2008.

\* cited by examiner

*Primary Examiner*—Prabhakar Deshmukh  
*Assistant Examiner*—Derrick Holland  
(74) *Attorney, Agent, or Firm*—Nixon & Vanderhye P.C.

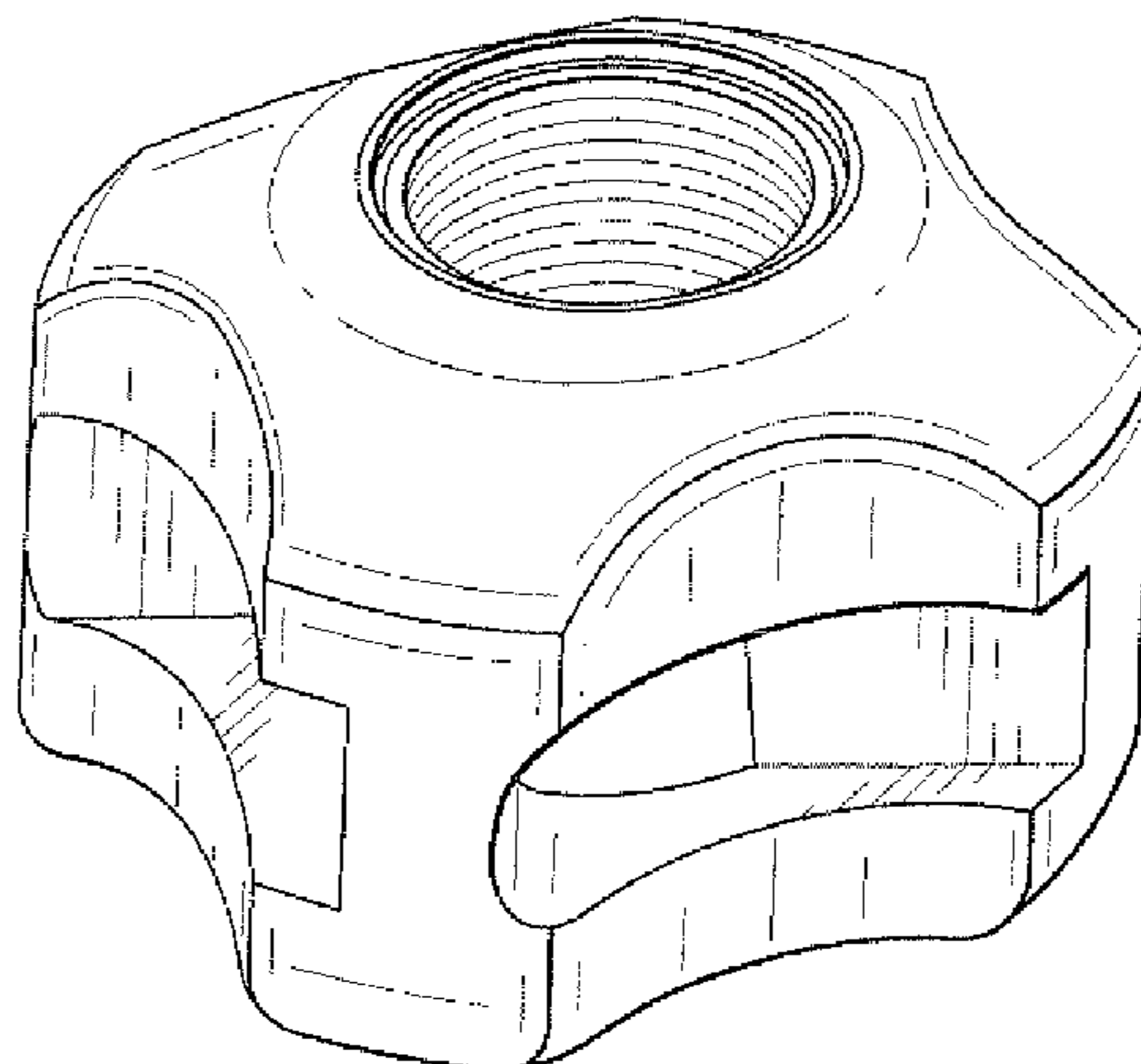
(57) **CLAIM**

The ornamental design for a “rotor,” as shown and described.

**DESCRIPTION**

FIG. 1 is a perspective view of the rotor which embodies my new and original design therefore;  
FIG. 2 front elevational view thereof;  
FIG. 3 is a rear elevational view thereof;  
FIG. 4 is a top plan view thereof; and,  
FIG. 5 is a bottom plan view thereof.  
The broken lines shown represent unclaimed subject matter and form no part of the claimed design.

**1 Claim, 2 Drawing Sheets**



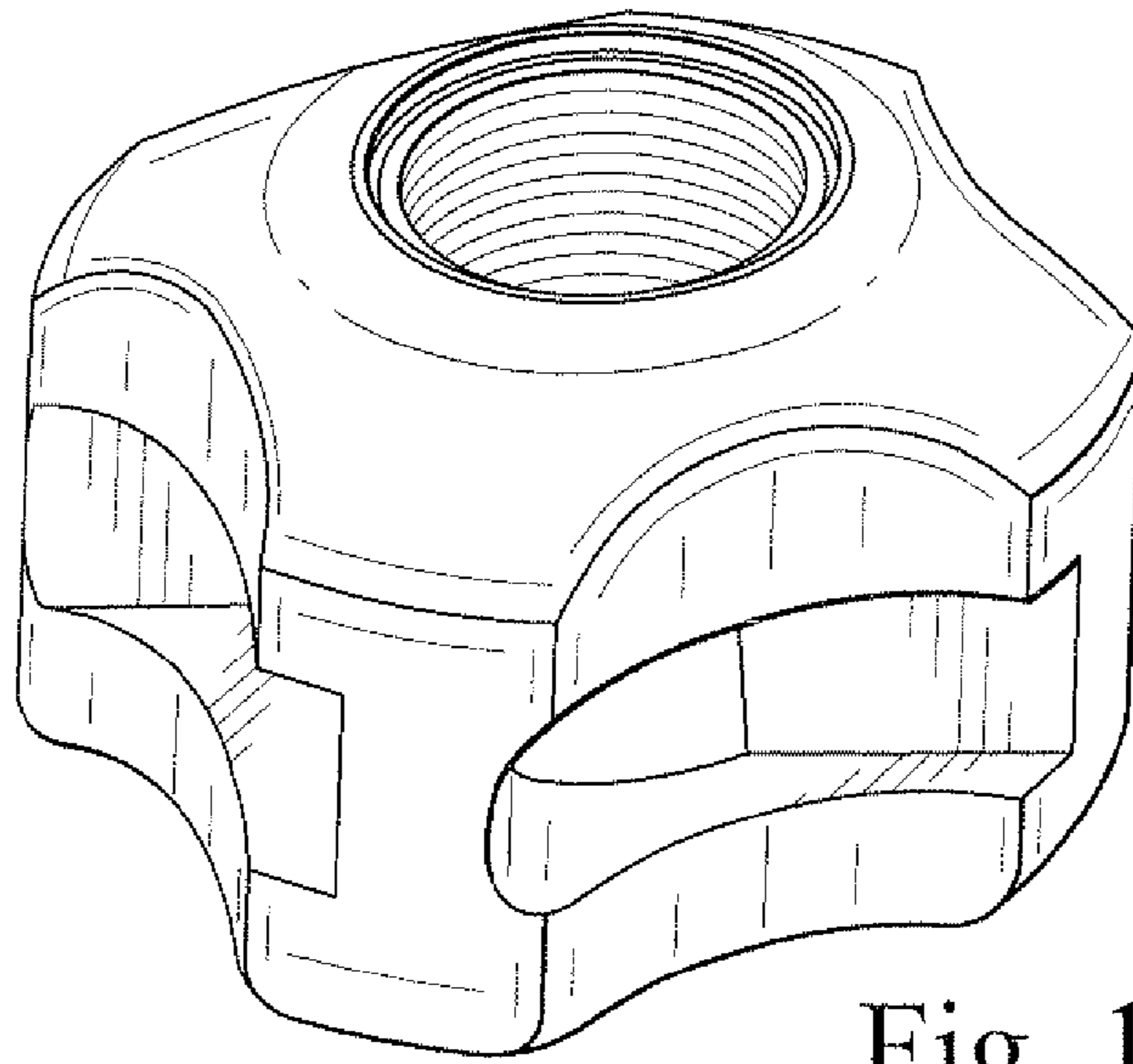


Fig. 1

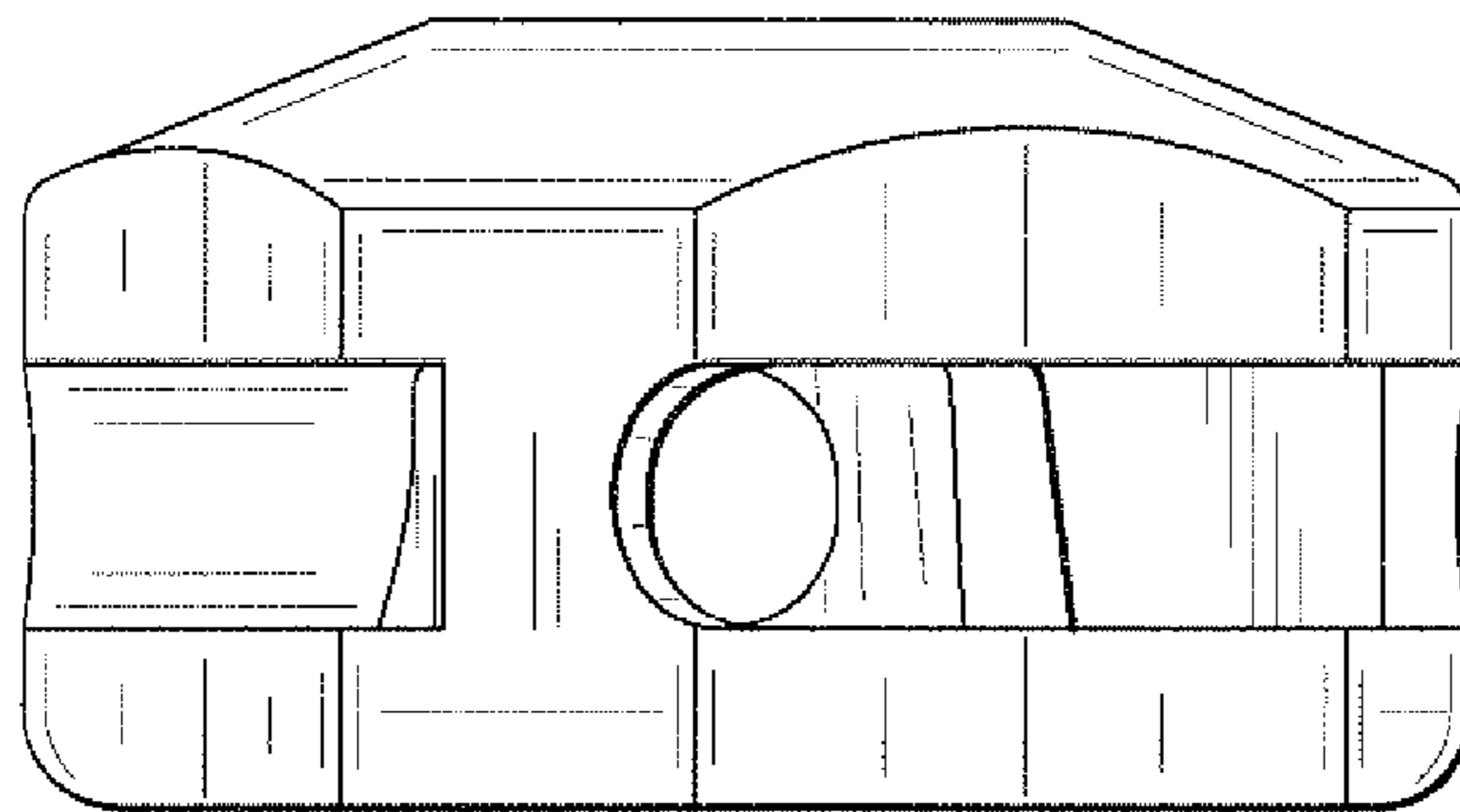


Fig. 2

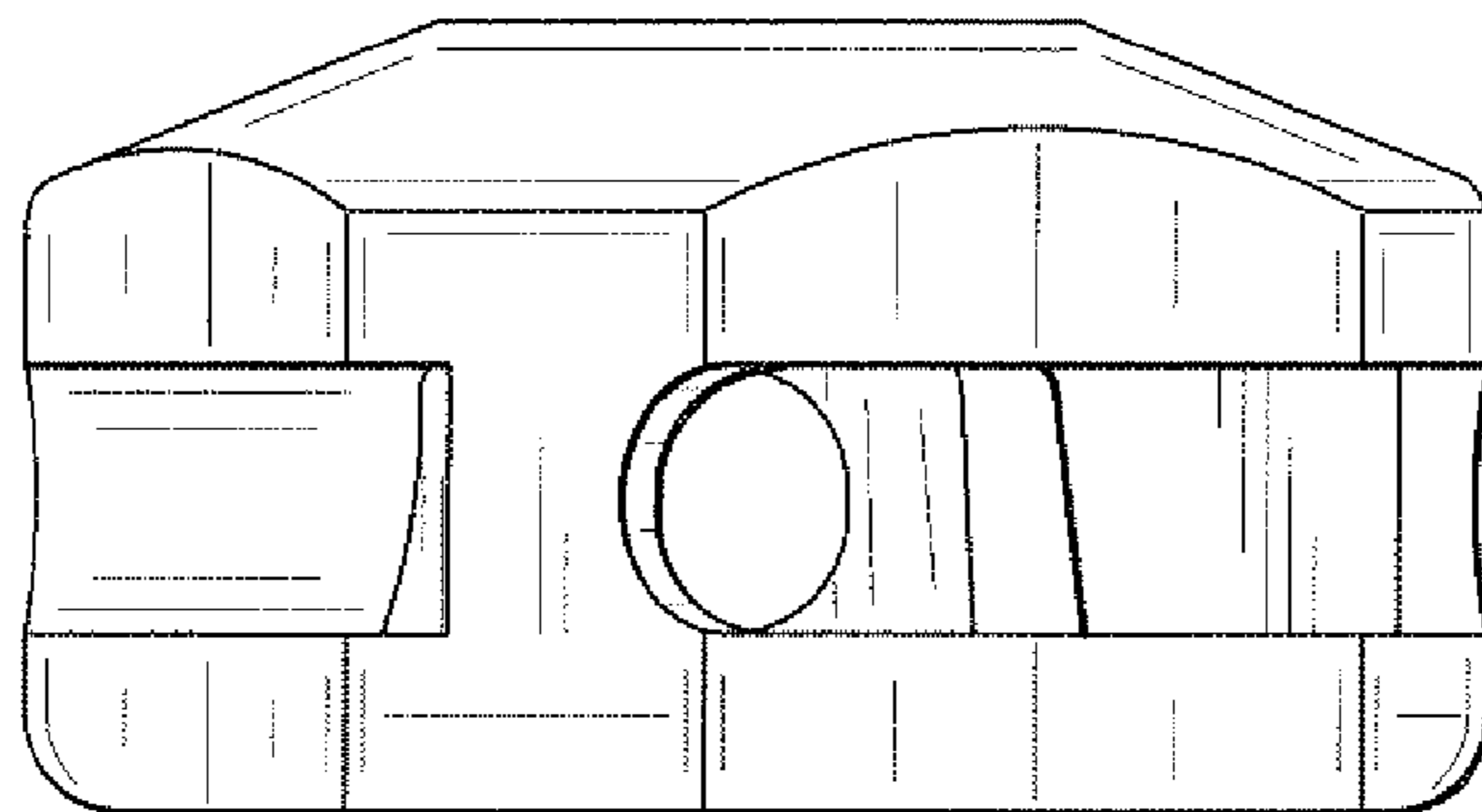


Fig. 3

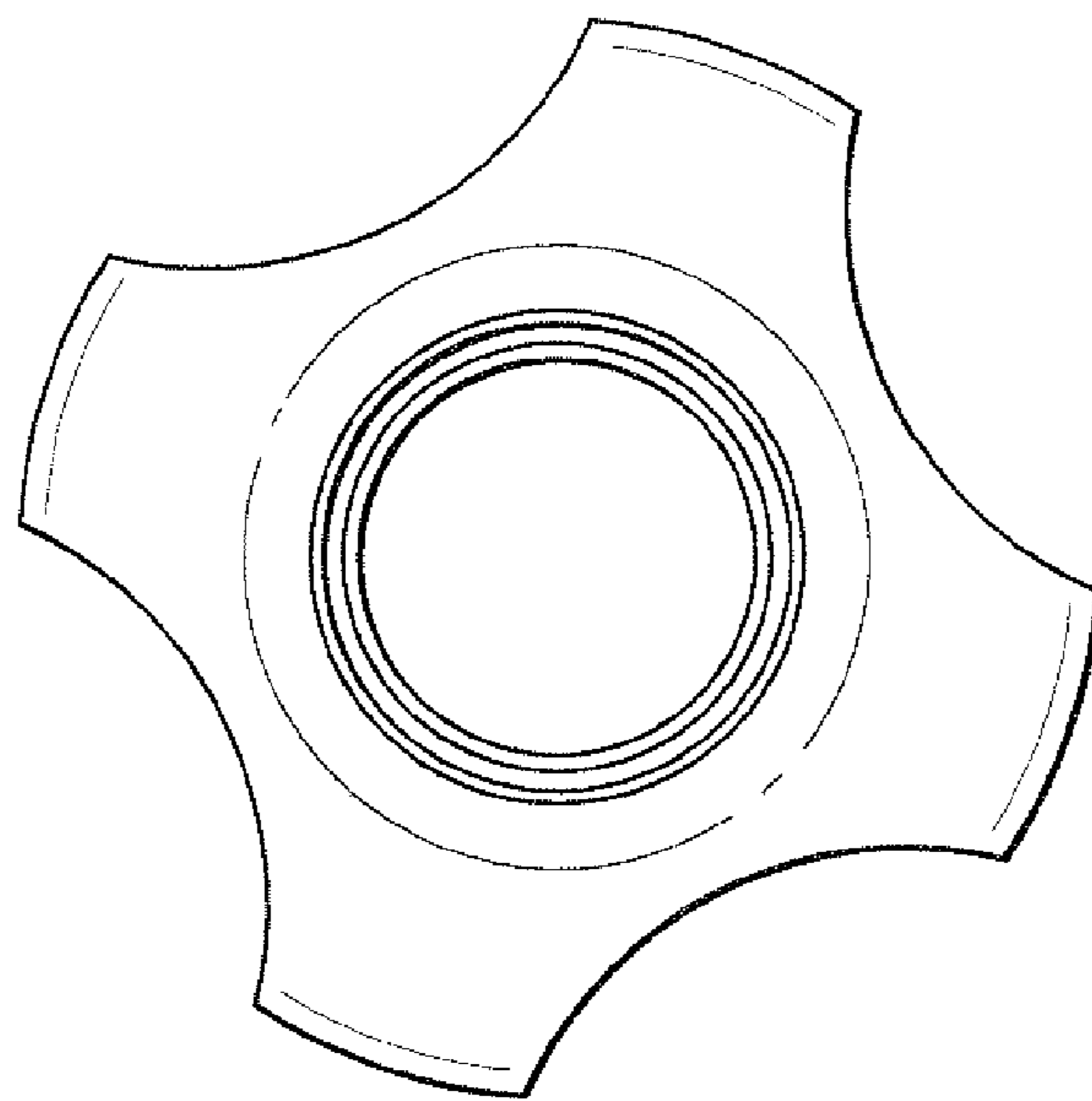


Fig. 4

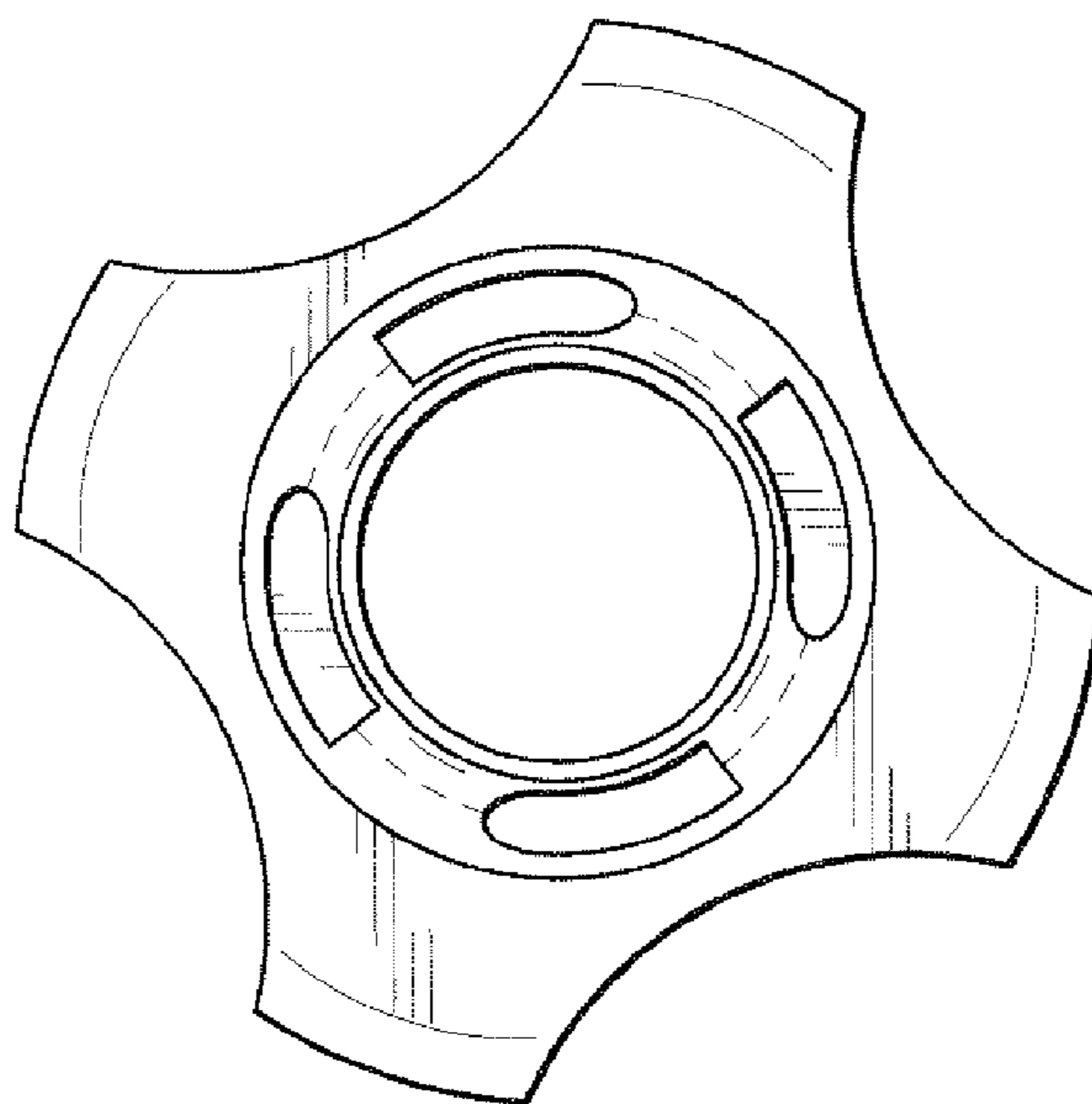


Fig. 5