



US00D612328S

(12) **United States Design Patent**
Brefka

(10) **Patent No.:** **US D612,328 S**
(45) **Date of Patent:** **** Mar. 23, 2010**

(54) **CHARGER**

(75) Inventor: **Paul E. Brefka**, Southborough, MA
(US)

(73) Assignee: **NeuroMetrix, Inc.**, Waltham, MA (US)

(**) Term: **14 Years**

(21) Appl. No.: **29/325,659**

(22) Filed: **Oct. 3, 2008**

(51) **LOC (9) Cl.** **13-02**

(52) **U.S. Cl.** **D13/107**

(58) **Field of Classification Search** D13/102–103,
D13/107–110, 118–119, 133, 144, 184; D14/251,
D14/253, 432, 434; 320/107–115
See application file for complete search history.

(56) **References Cited**

U.S. PATENT DOCUMENTS

D322,061 S *	12/1991	Watanabe	D13/108
D361,069 S *	8/1995	Hellier et al.	D14/253
D385,530 S *	10/1997	Hames et al.	D13/107
D402,957 S *	12/1998	Kuwayama et al.	D13/108
D414,742 S *	10/1999	Chang	D13/107
D493,422 S *	7/2004	Krieger et al.	D13/107
D515,502 S *	2/2006	Wen	D13/108
D520,945 S *	5/2006	Hayamizu	D13/108

D520,946 S *	5/2006	Nasu	D13/108
D532,365 S *	11/2006	Shen	D13/107
D541,214 S *	4/2007	Ino et al.	D13/107
D555,087 S *	11/2007	Brefka et al.	D13/107
D600,203 S *	9/2009	Woon	D13/107

* cited by examiner

Primary Examiner—Rosemary K Tarcza

(74) *Attorney, Agent, or Firm*—Pandiscio & Pandiscio

(57) **CLAIM**

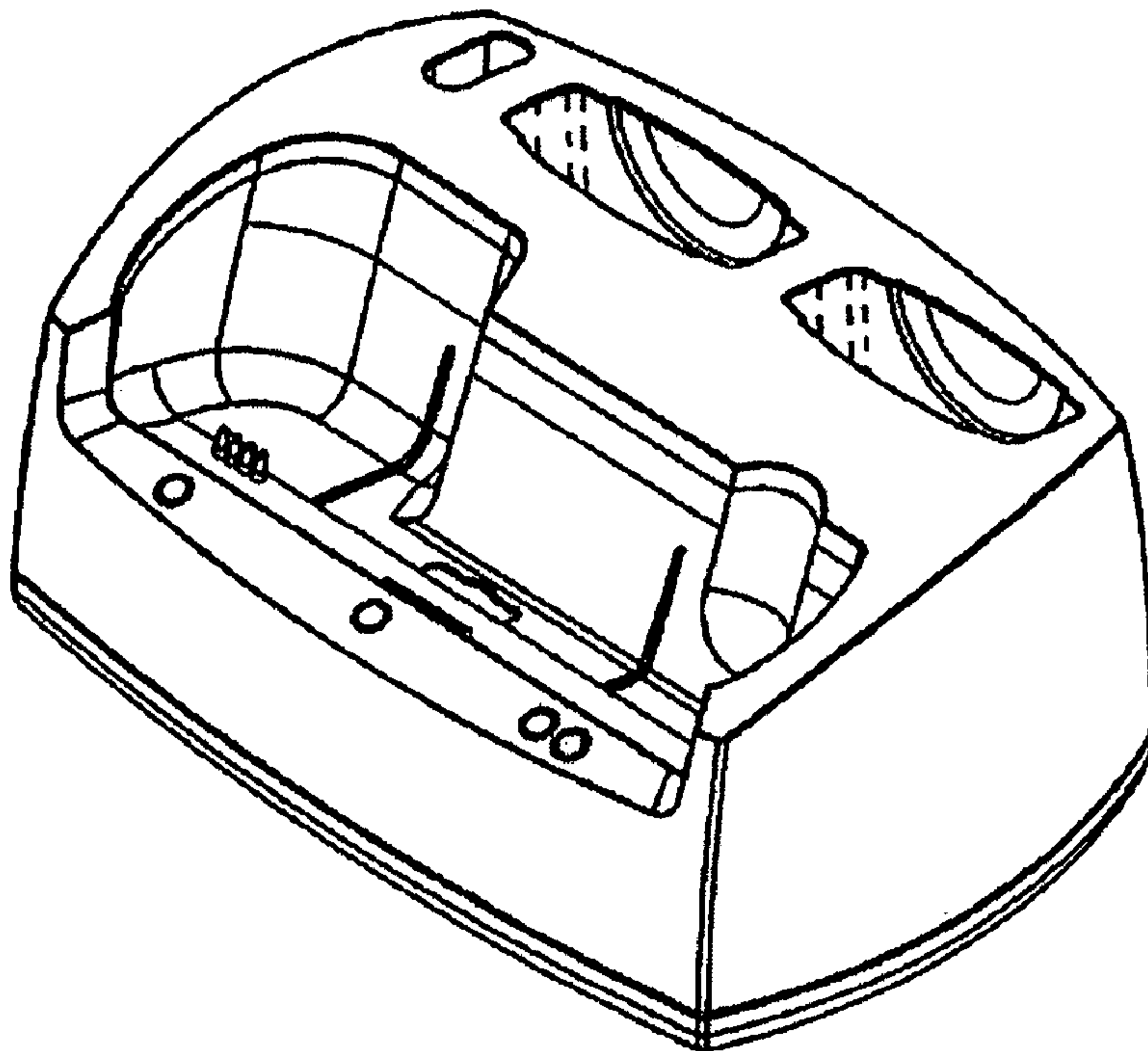
The ornamental design for a charger, as shown and described.

DESCRIPTION

FIG. 1 is a perspective view of a charger;
FIG. 2 is a front elevational view thereof;
FIG. 3 is a top plan view thereof;
FIG. 4 is a rear elevational view thereof;
FIG. 5 is a left side elevational view thereof;
FIG. 6 is a right side elevational view thereof; and,
FIG. 7 is a bottom plan view thereof.

The broken lines shown in the drawings are included for the purpose of illustrating environmental structure and form no part of the claimed design.

1 Claim, 7 Drawing Sheets



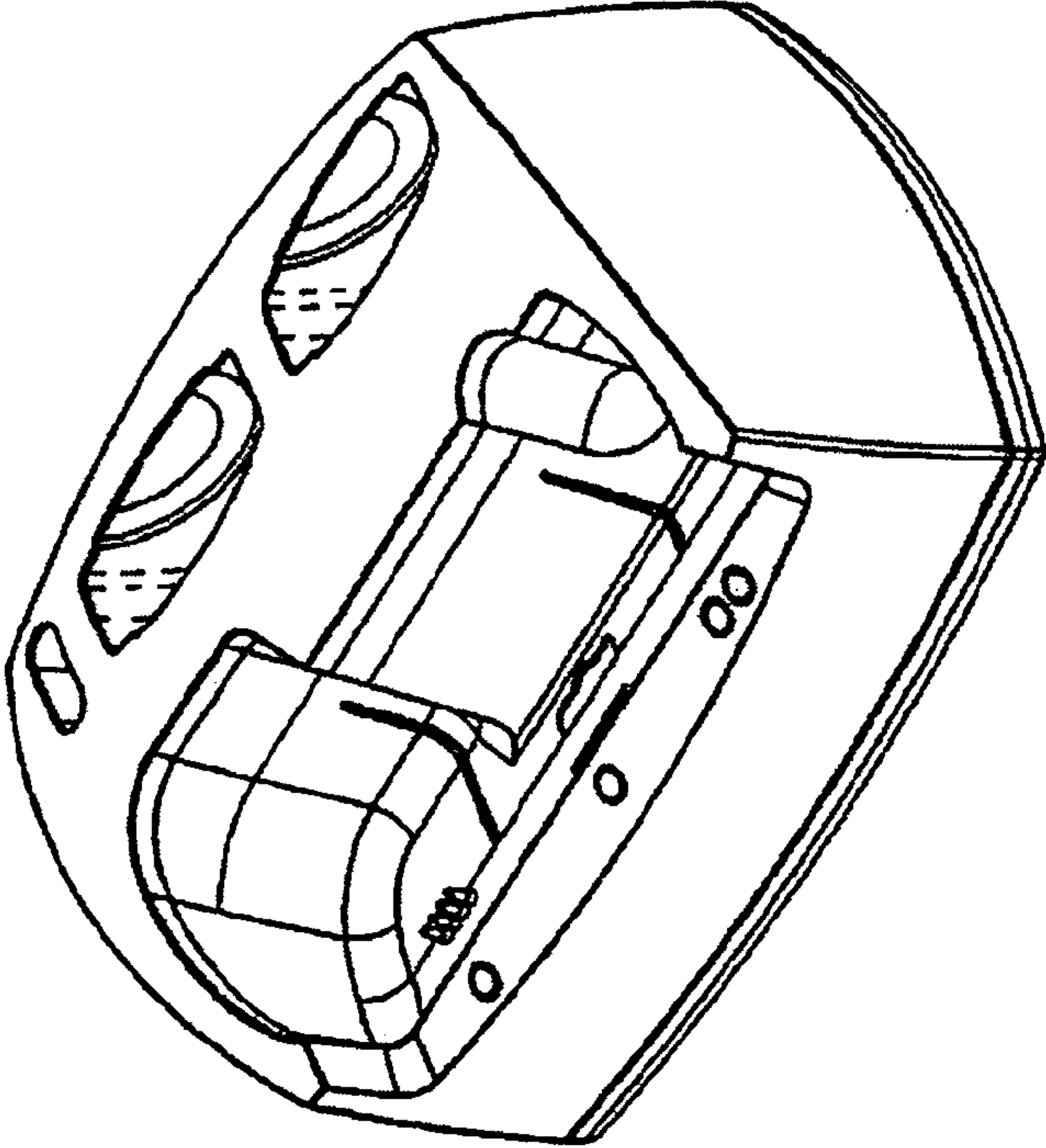


FIG. 1

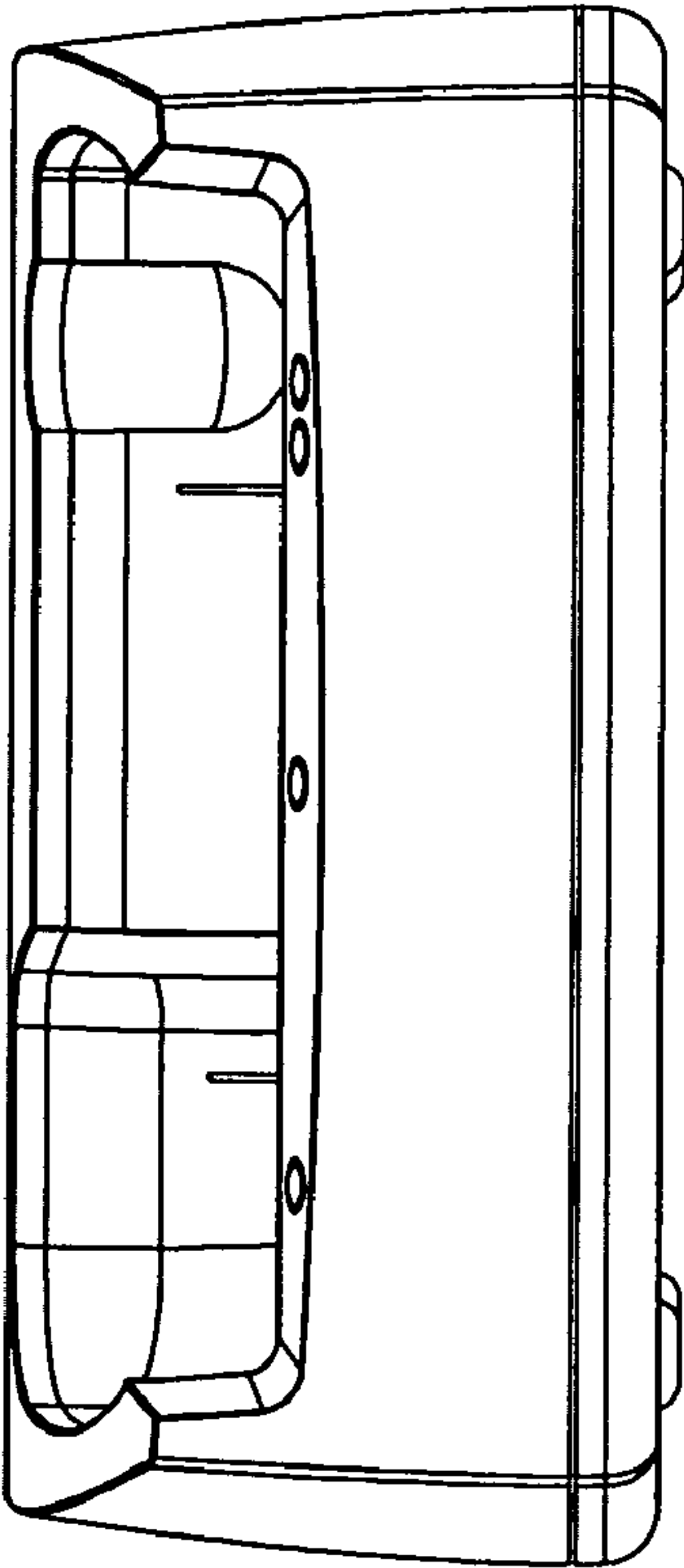


FIG.2

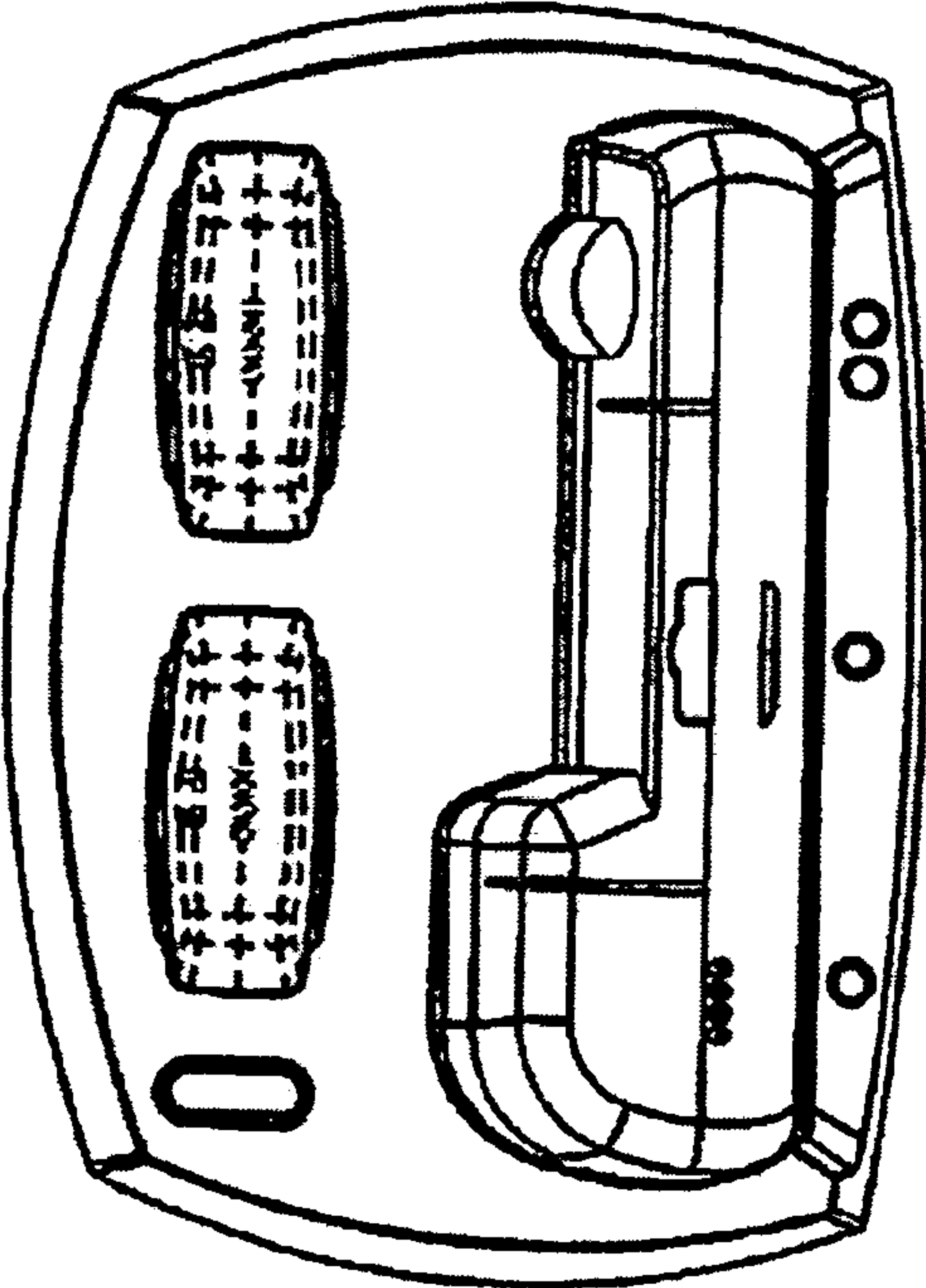


FIG. 3

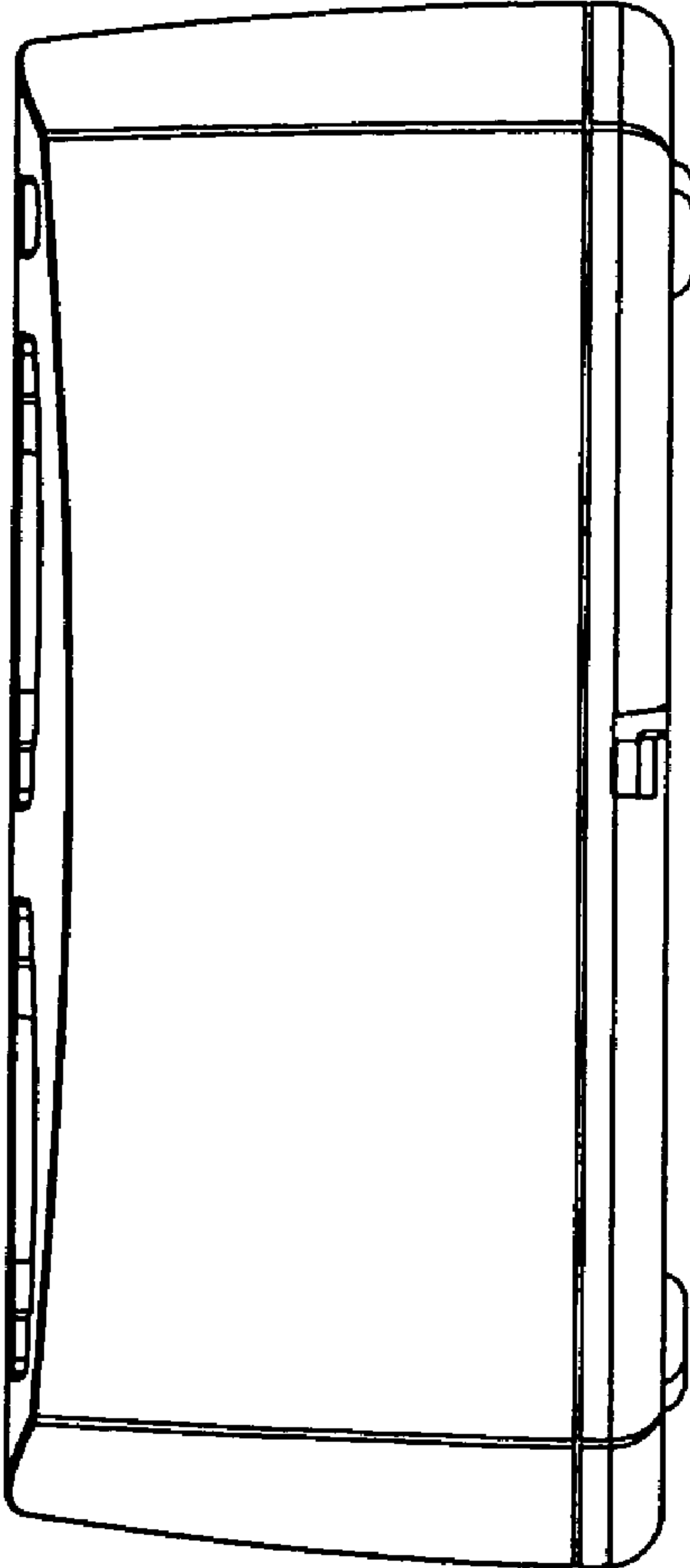


FIG. 4

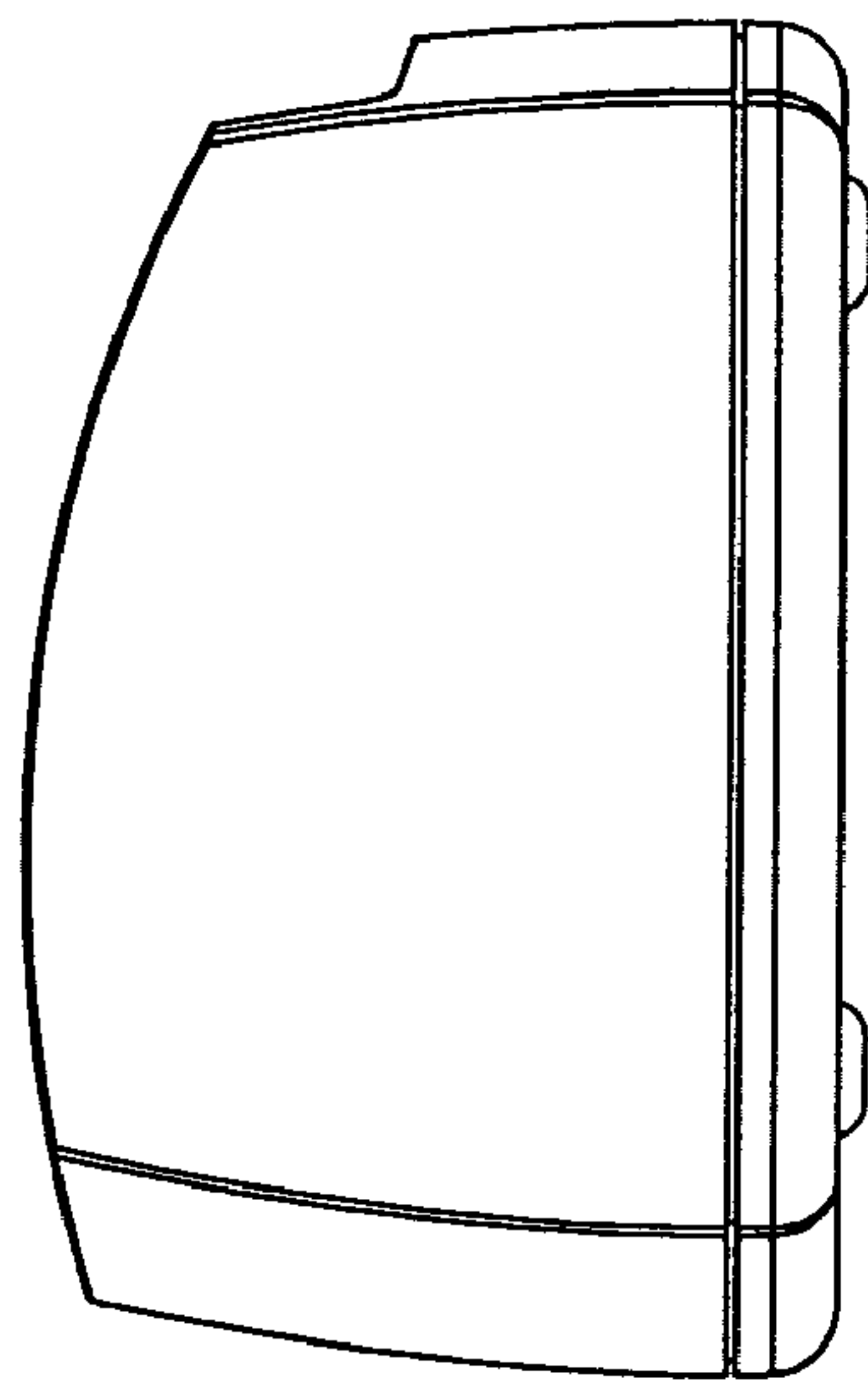


FIG. 5

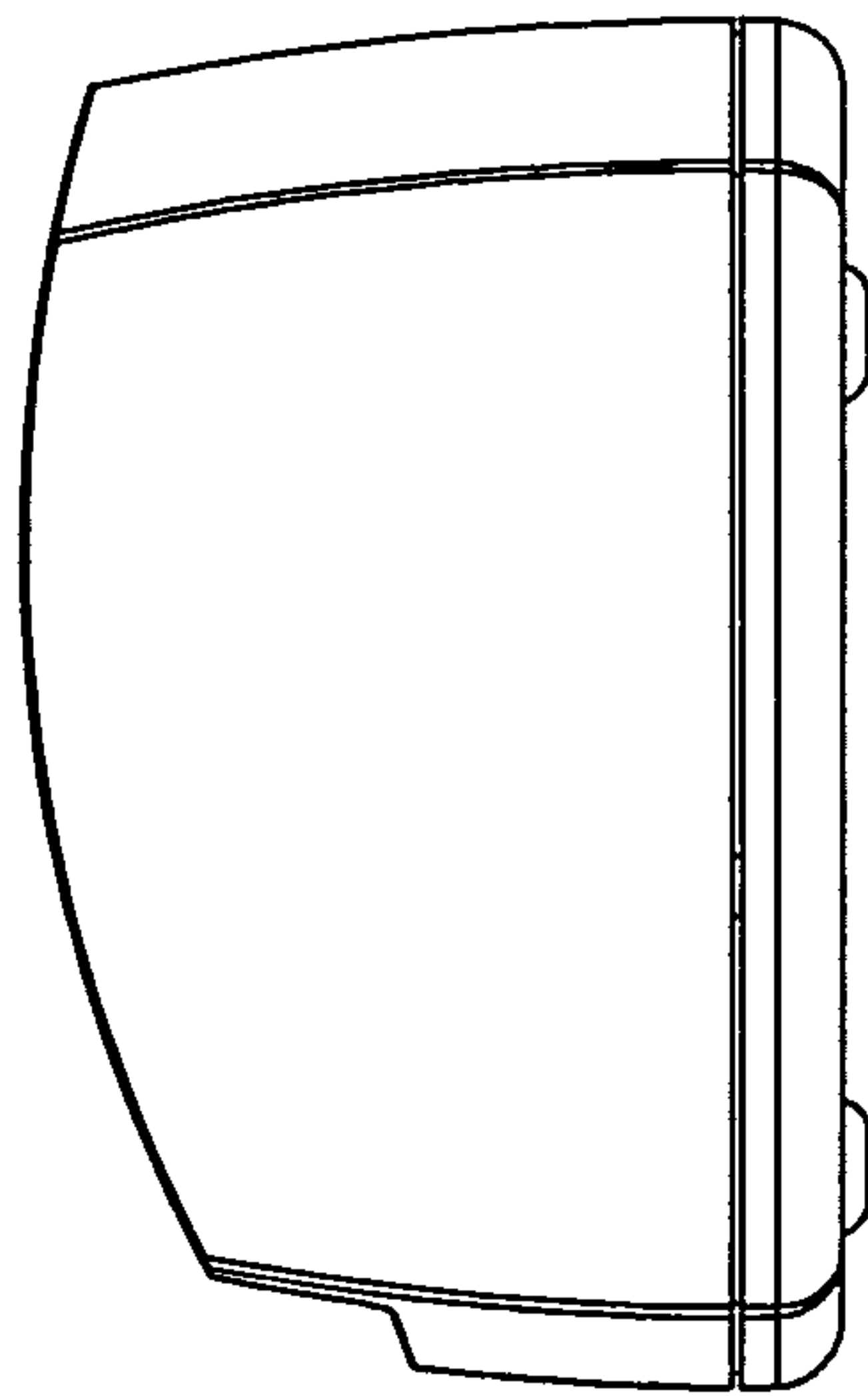


FIG. 6

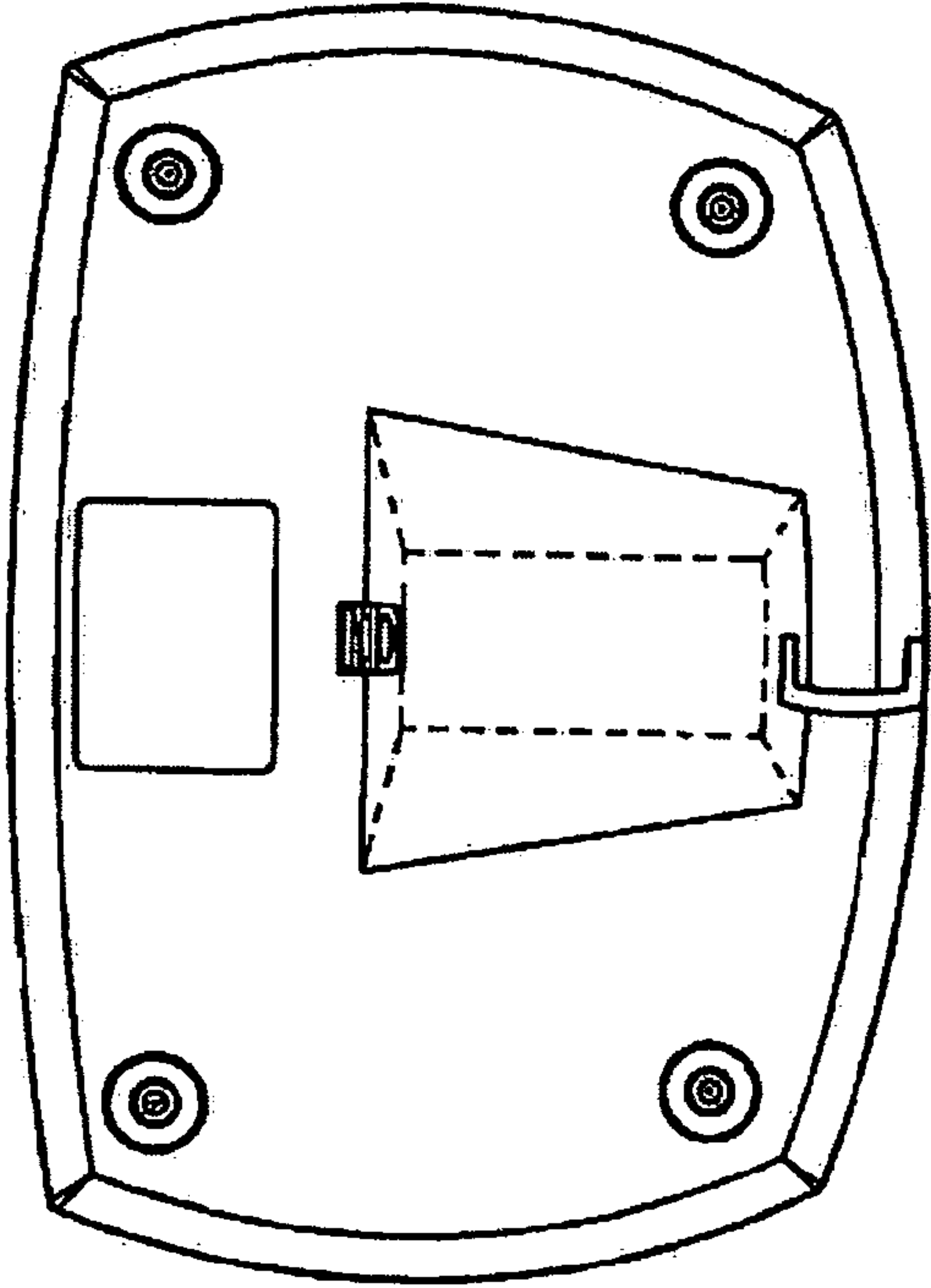


FIG. 7