



US00D612321S

(12) **United States Design Patent**
Bott et al.

(10) **Patent No.:** **US D612,321 S**

(45) **Date of Patent:** **** Mar. 23, 2010**

(54) **TIRE**

D597,474 S * 8/2009 Yamakawa et al. D12/523
D601,939 S * 10/2009 Fontaine et al. D12/519
D602,846 S * 10/2009 Park et al. D12/519

(75) Inventors: **Andreas Bott**, Alzenau (DE); **Boris Erceg**, Hanau (DE); **Markus Brachtl**, Linsengericht (DE); **Yasuo Wada**, Frankfurt (DE)

* cited by examiner

Primary Examiner—Stacia Cadmus

(74) *Attorney, Agent, or Firm*—Richard B. O’Planick

(73) Assignee: **The Goodyear Tire & Rubber Company**, Akron, OH (US)

(57) **CLAIM**

(**) Term: **14 Years**

The ornamental design for a tire, as shown and described.

(21) Appl. No.: **29/344,711**

DESCRIPTION

(22) Filed: **Oct. 2, 2009**

FIG. 1 is a perspective view of a tire showing our new design, it being understood that the pattern repeats uniformly throughout the circumference of the tread;

(51) **LOC (9) Cl.** **12-15**

(52) **U.S. Cl.** **D12/519; D12/523**

FIG. 2 is a front elevational view thereof;

(58) **Field of Classification Search** D12/505–532,

D12/900–901; 152/209.1–209.19, 209.25–209.28

FIG. 3 is a right side elevational view thereof;

See application file for complete search history.

FIG. 4 is a left side elevational view thereof;

FIG. 5 is an enlarged fragmentary front elevational view thereof;

(56) **References Cited**

U.S. PATENT DOCUMENTS

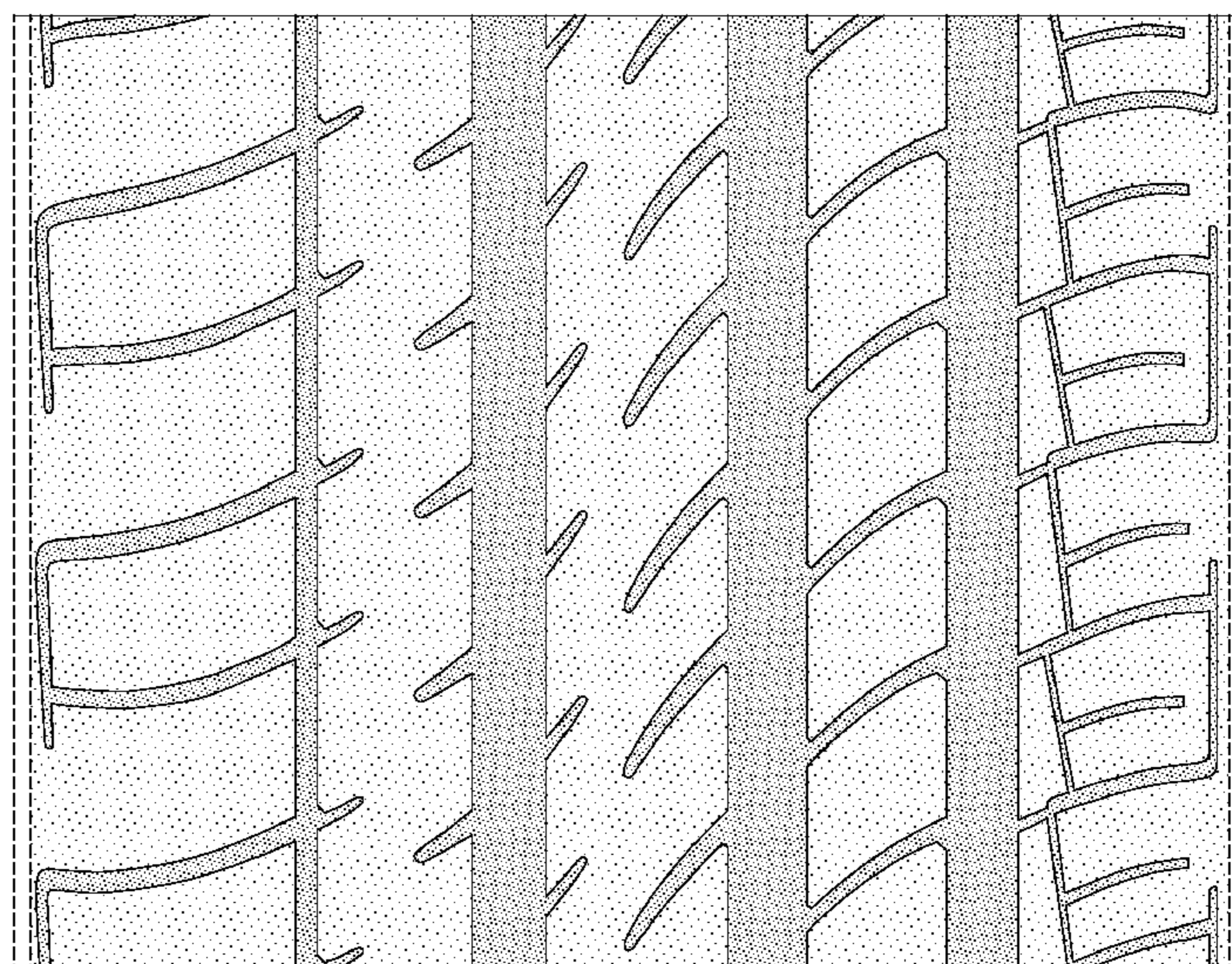
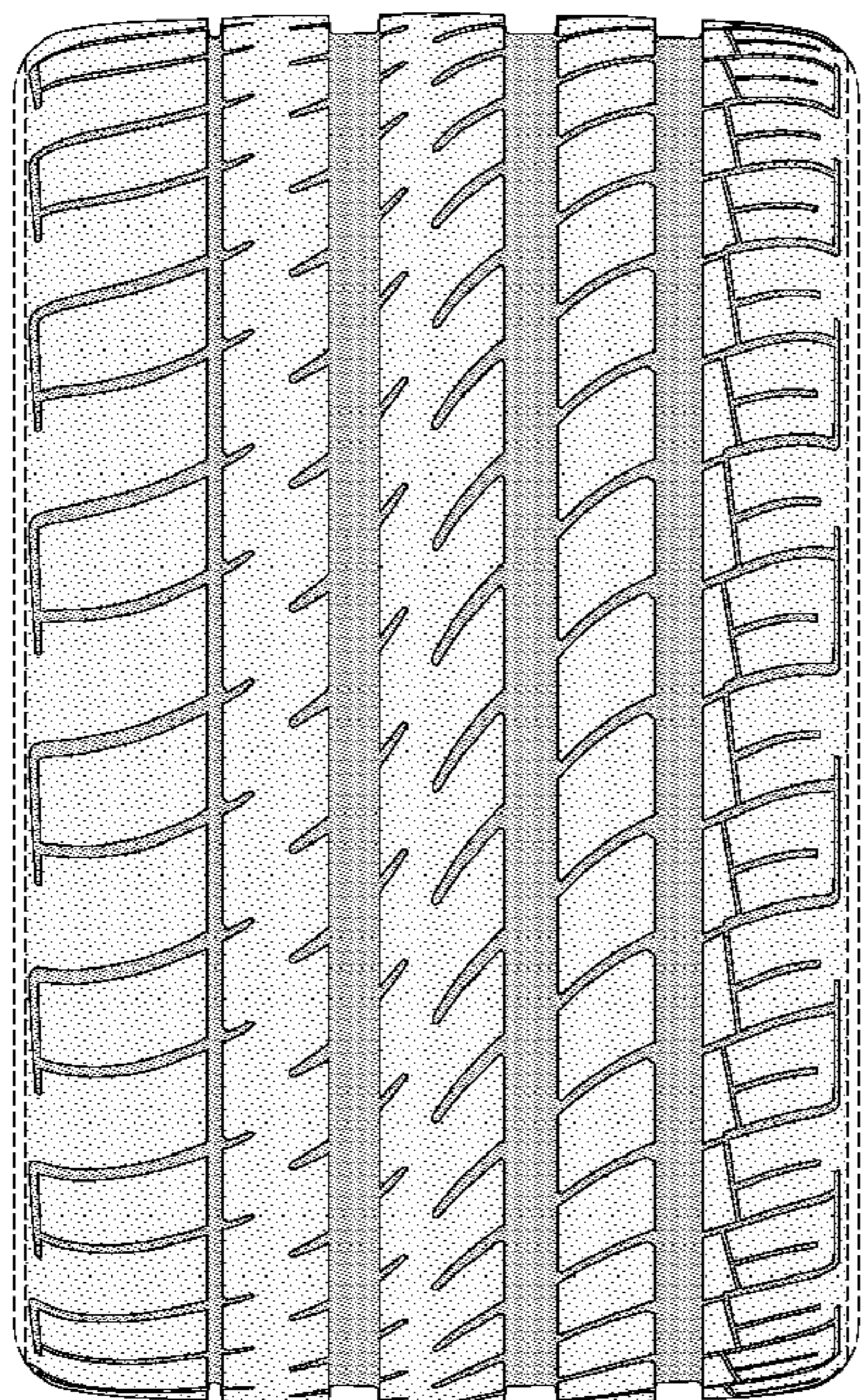
D325,365 S *	4/1992	Covert et al.	D12/519
D451,447 S	12/2001	Heinen et al.	D12/147
D464,020 S	10/2002	Dahlberg et al.	D12/518
D490,045 S	5/2004	Delu et al.	D12/519
D590,048 S	5/2004	Heinen et al.	D12/524
D515,018 S *	2/2006	Umstot et al.	D12/519
D515,019 S *	2/2006	Umstot et al.	D12/519
D515,021 S	2/2006	Delu et al.	D12/524
D558,128 S	12/2007	Delu et al.	D12/521
D560,595 S	1/2008	Bindner et al.	D12/521
D562,757 S *	2/2008	Iwai	D12/523
D582,339 S *	12/2008	Kang	D12/519
D584,213 S *	1/2009	Shinkai	D12/519
D586,724 S *	2/2009	Seibert et al.	D12/519

FIG. 6 is a perspective view of a second embodiment of a tire showing our new design, it being understood that the pattern repeats uniformly throughout the circumference of the tread; and,

FIG. 7 is a front elevational view of a second embodiment, it being understood that an enlarged fragmentary view thereof would be substantially identical to that shown in FIG. 5, with the exception of the inclusion of the sidewall in solid lines.

In the drawings, the broken lines showing of the sidewall, inner bead and the peripheral boundary between the tire tread and the sidewall in FIGS. 1 through 4 depict environmental subject matter and form no part of the claimed design.

1 Claim, 7 Drawing Sheets



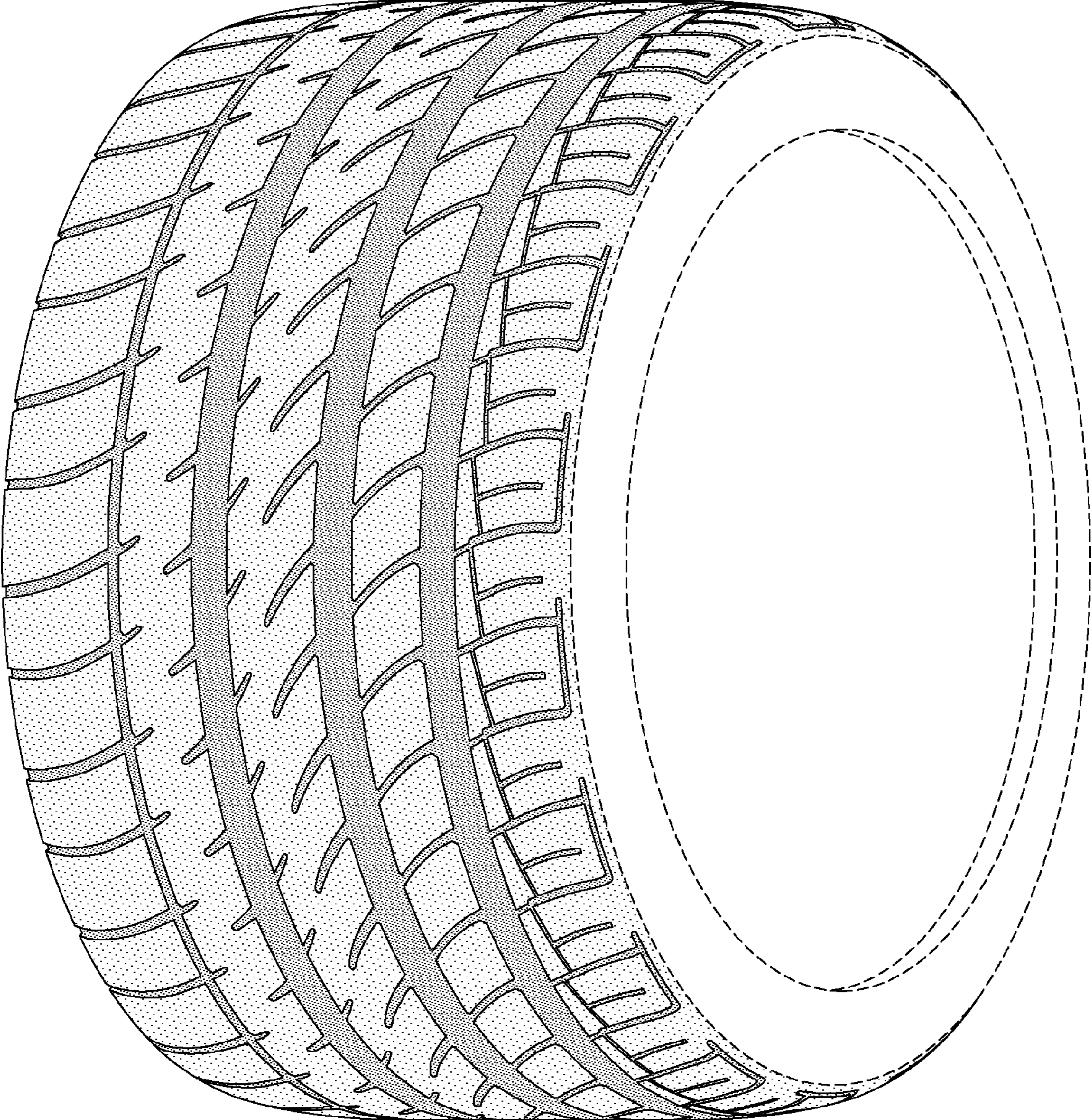


FIG-1

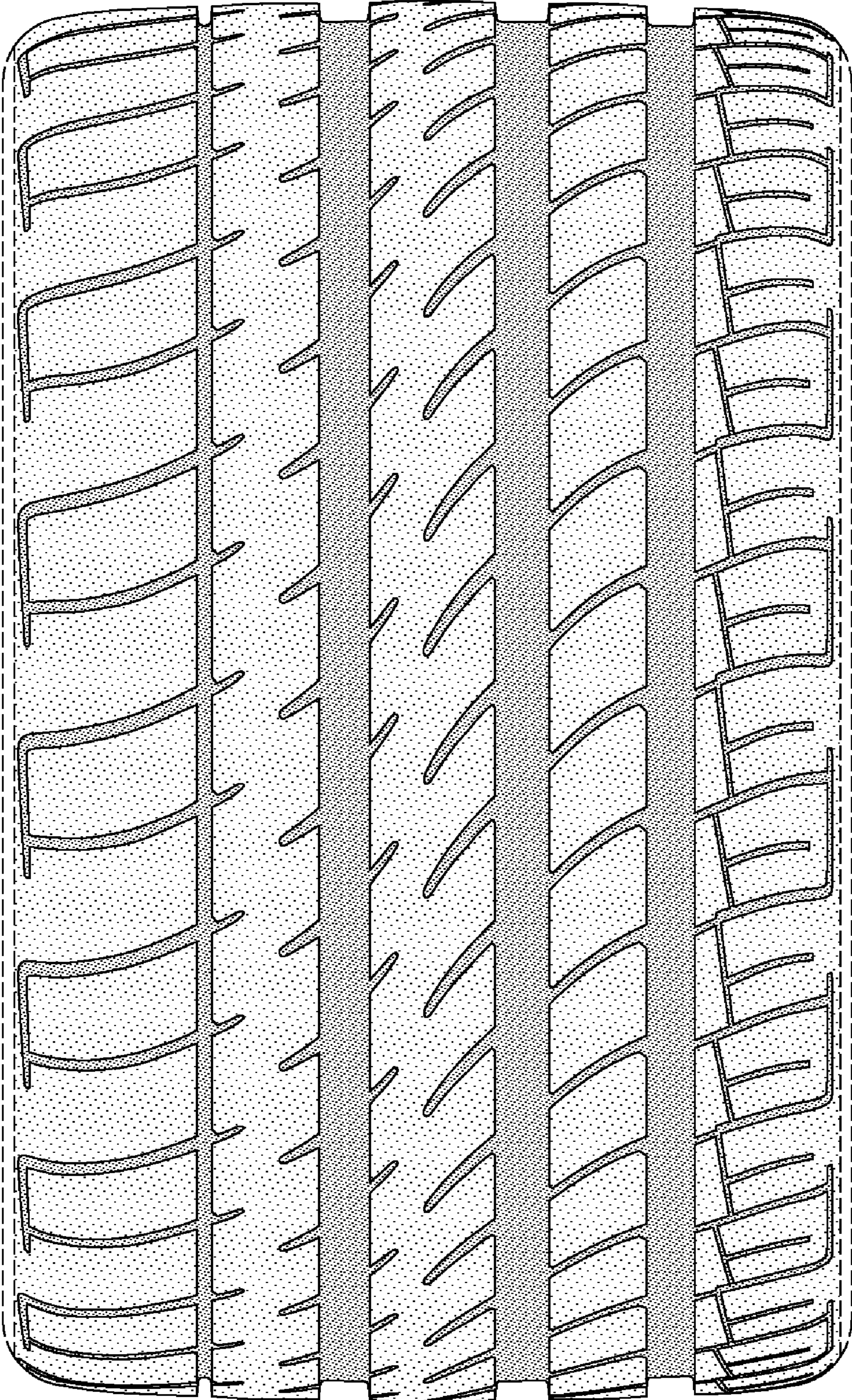


FIG-2

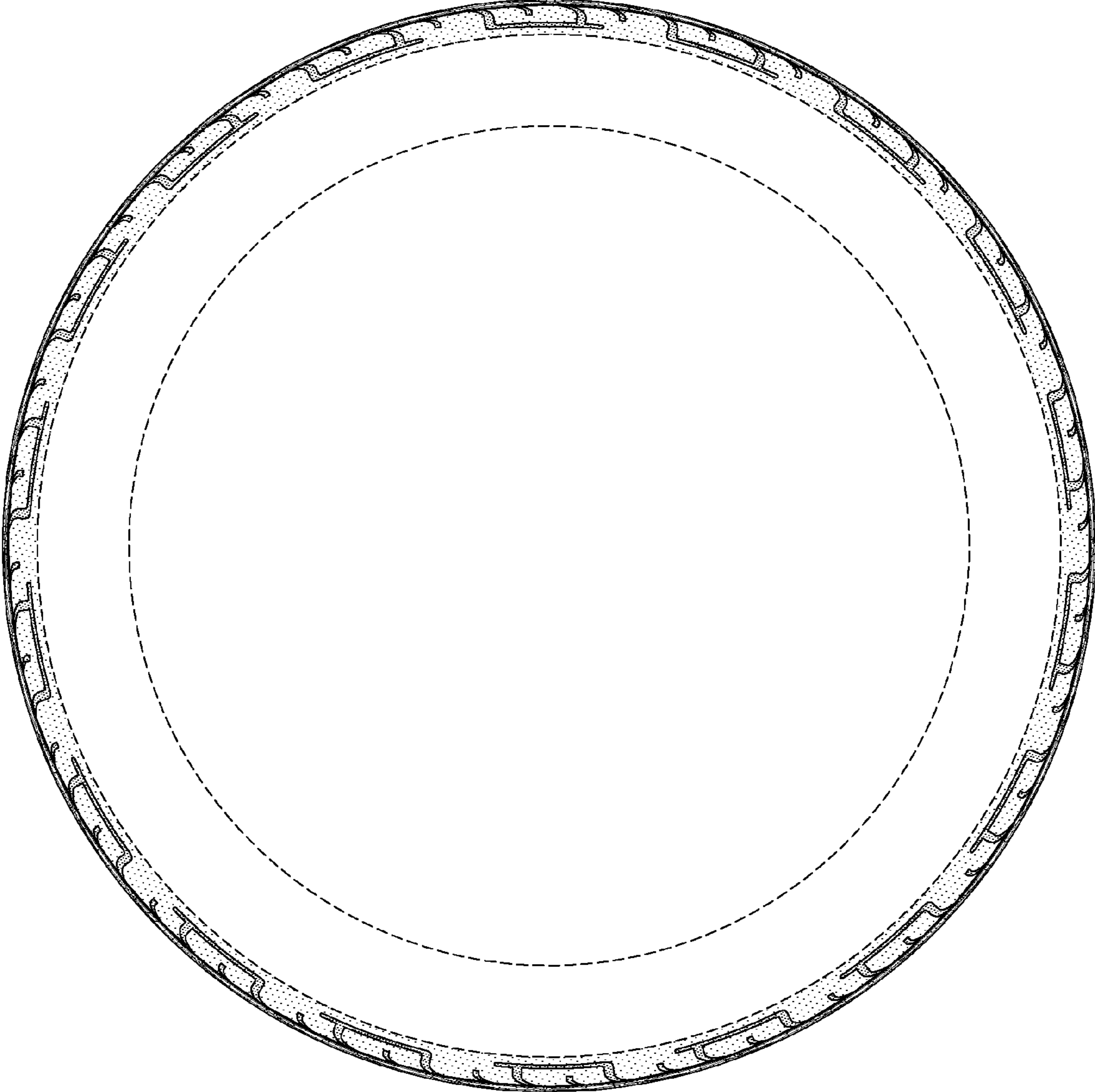


FIG-3

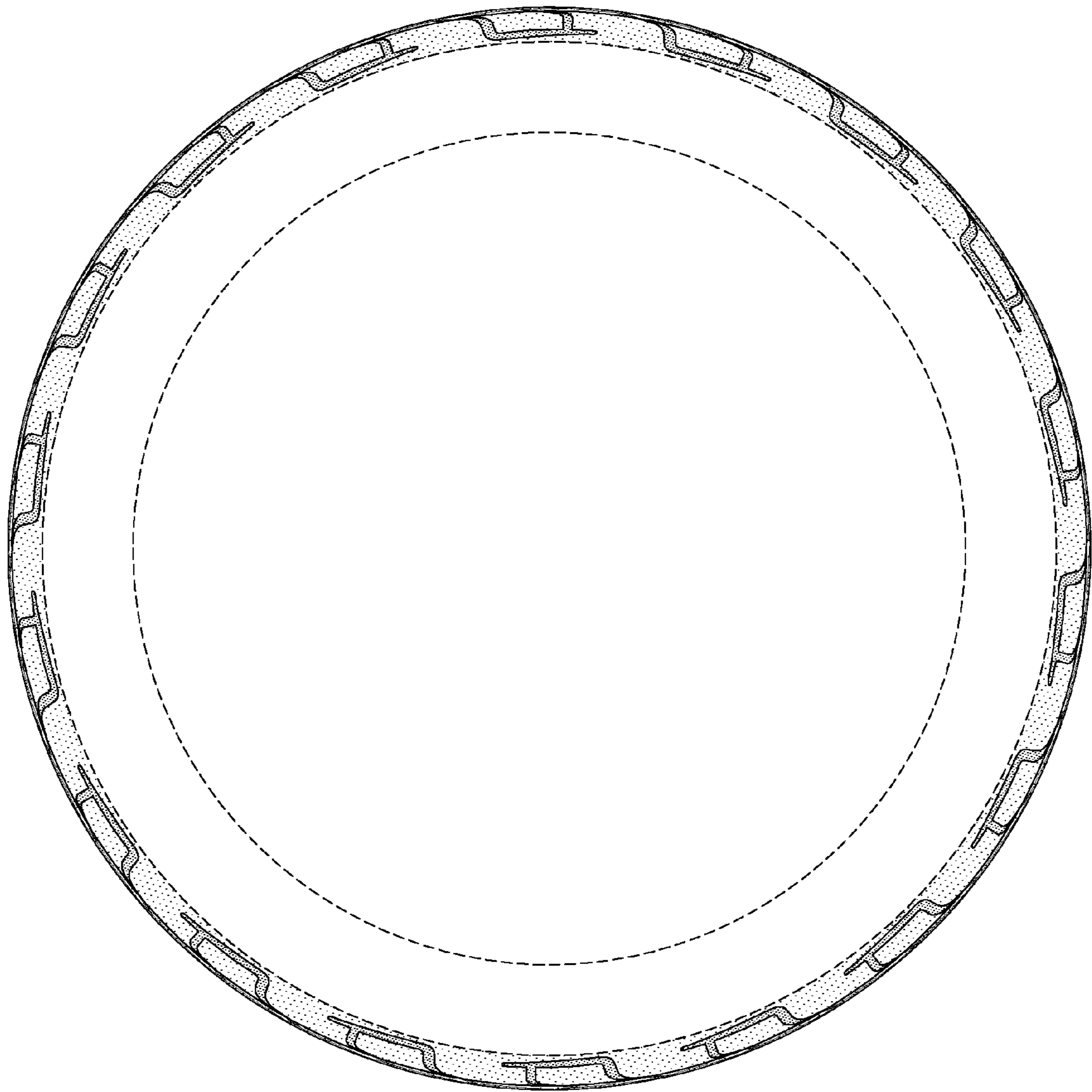


FIG-4

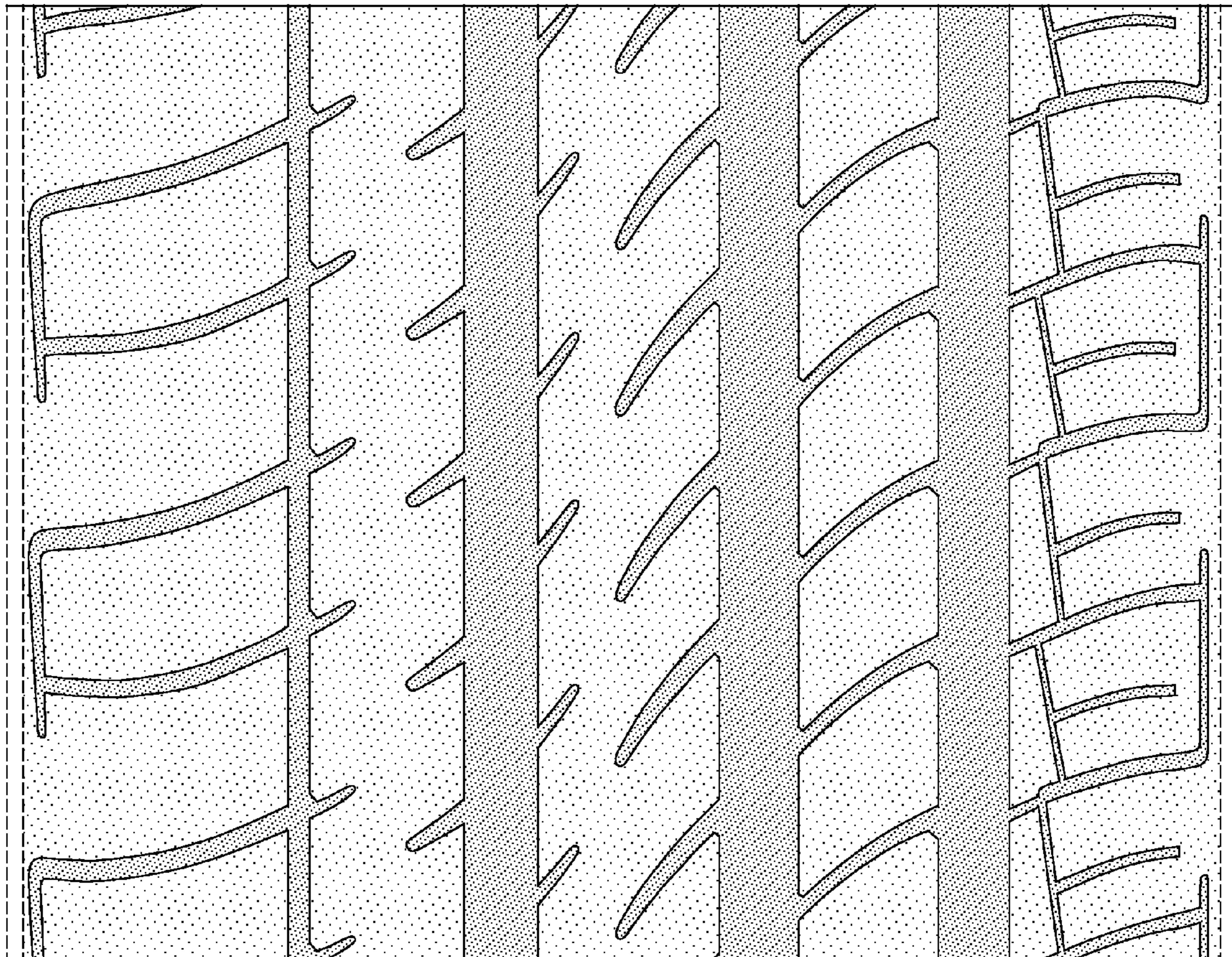


FIG-5

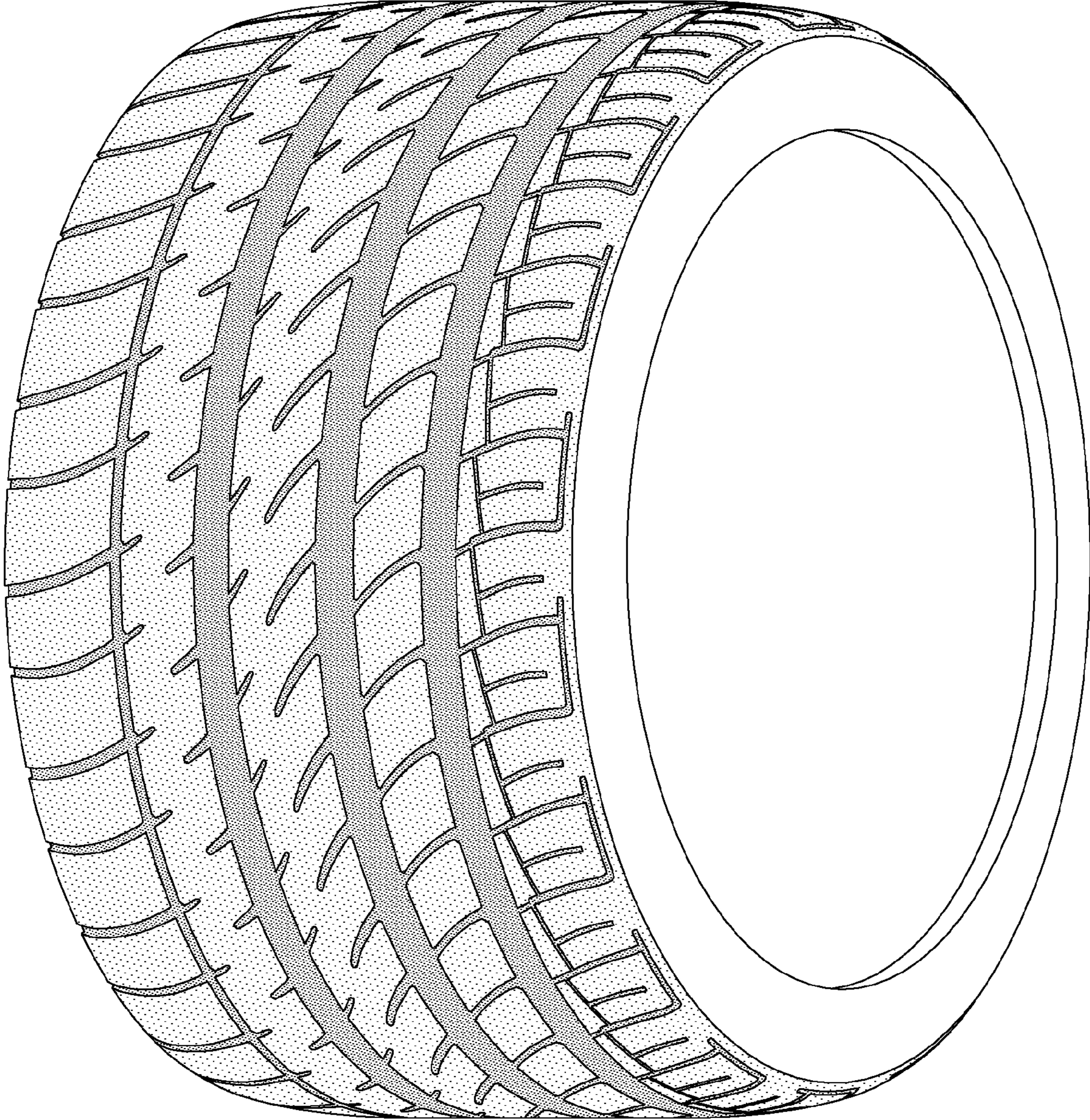


FIG-6

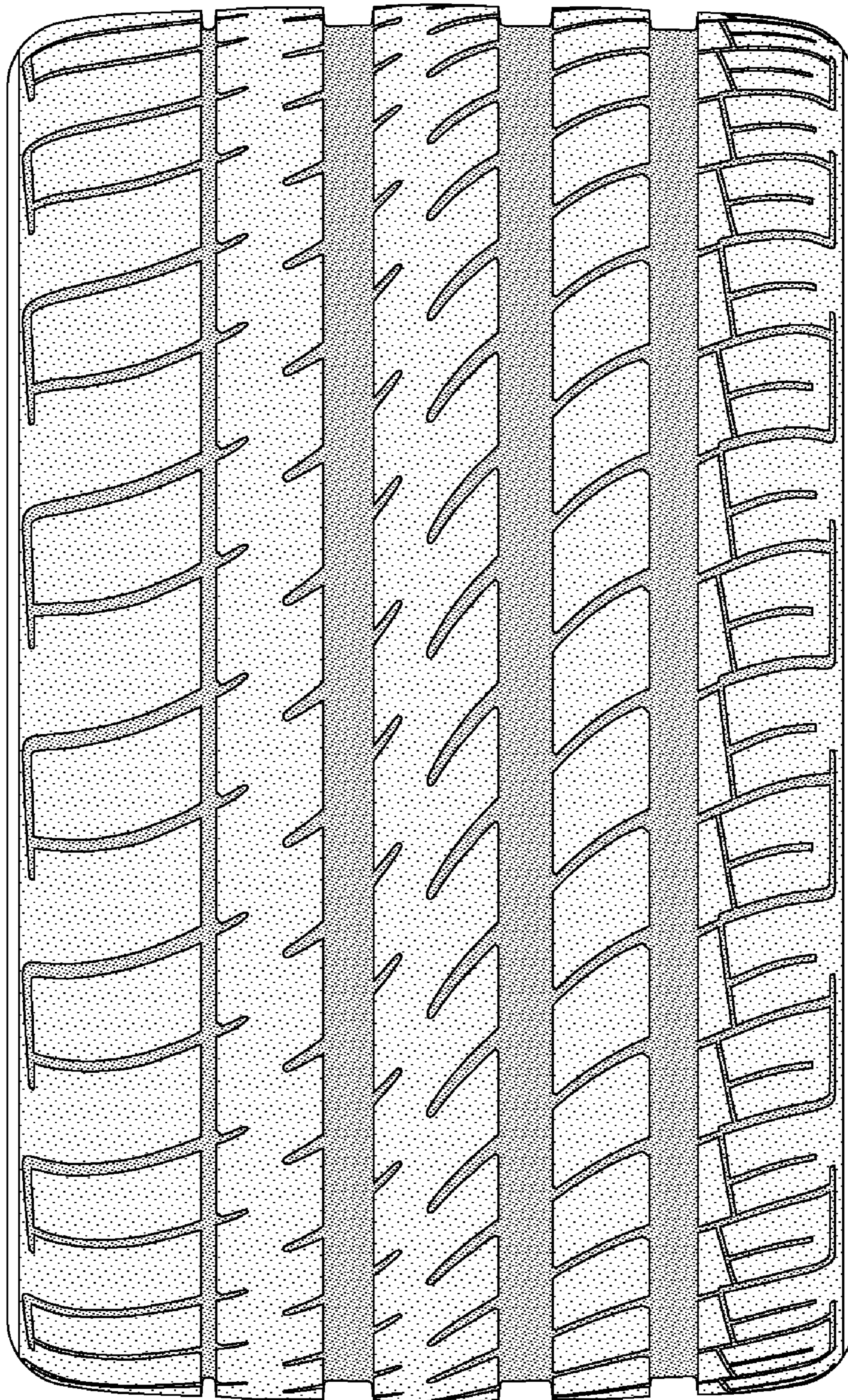


FIG-7