



US00D612320S

(12) **United States Design Patent**  
**Flaherty et al.**

(10) **Patent No.:** **US D612,320 S**  
(45) **Date of Patent:** **\*\* Mar. 23, 2010**

(54) **ANTI-SWAY DEVICE FOR A BICYCLE CARRIER RACK**

(75) Inventors: **Joseph Flaherty**, Prospect, CT (US);  
**Joe Settelmayer**, McKinleyville, CA (US)

(73) Assignee: **Thule Sweden AB**, Hillerstorp (SE)

(\*\*) Term: **14 Years**

(21) Appl. No.: **29/343,334**

(22) Filed: **Sep. 10, 2009**

**Related U.S. Application Data**

(63) Continuation of application No. 29/342,763, filed on Aug. 31, 2009.

(51) **LOC (9) Cl.** ..... **12-11**

(52) **U.S. Cl.** ..... **D12/408**

(58) **Field of Classification Search** ..... D12/406-408;  
224/42.11, 515, 545, 519, 495, 502, 505,  
224/506, 522, 535-537, 548, 552, 553, 567,  
224/572, 324, 935, 421, 425-427, 496, 497,  
224/499, 490-493, 403, 924, 533; 280/288.4,  
280/304.5

See application file for complete search history.

(56) **References Cited**

**U.S. PATENT DOCUMENTS**

5,259,542	A *	11/1993	Newbold et al.	.....	224/324
D378,289	S *	3/1997	Lundgren	.....	D12/412
5,775,555	A *	7/1998	Bloemer et al.	.....	224/531
D447,997	S *	9/2001	Ferman et al.	.....	D12/408
6,286,738	B1 *	9/2001	Robins et al.	.....	224/314
6,616,023	B1 *	9/2003	Dahl et al.	.....	224/537
6,988,645	B1 *	1/2006	Nusbaum et al.	.....	224/519
7,000,814	B2 *	2/2006	Wang	.....	224/520
7,055,725	B1 *	6/2006	Kolda	.....	224/505
7,261,228	B2 *	8/2007	Prescott et al.	.....	224/502
D602,420	S *	10/2009	Kuschmeader et al.	.....	D12/408
2007/0057001	A1 *	3/2007	Wang	.....	224/536

\* cited by examiner

*Primary Examiner*—Philip S Hyder  
*Assistant Examiner*—Linda G. Brooks

(74) *Attorney, Agent, or Firm*—Novak Druce + Quigg LLP

(57) **CLAIM**

We claim the ornamental design for an anti-sway device for a bicycle carrier rack, as shown and described.

**DESCRIPTION**

FIG. 1 is a perspective view of an anti-sway device for a bicycle carrier rack;

FIG. 2 is a first alternate perspective view thereof;

FIG. 3 is a second alternate perspective view thereof;

FIG. 4 is a third alternate perspective view thereof;

FIG. 5 is a top plan view thereof;

FIG. 6 is a bottom plan view thereof;

FIG. 7 left side elevational view thereof;

FIG. 8 is a right side elevational view thereof;

FIG. 9 is a front elevational view thereof;

FIG. 10 is a rear elevational view thereof;

FIG. 11 is a perspective view of a second embodiment of the design;

FIG. 12 is a left top perspective view thereof;

FIG. 13 is a left side perspective view thereof;

FIG. 14 is a top plan view thereof;

FIG. 15 is a top plan view thereof in a closed position;

FIG. 16 is a bottom plan view thereof in a closed position;

FIG. 17 is a left side elevational view thereof in a closed position;

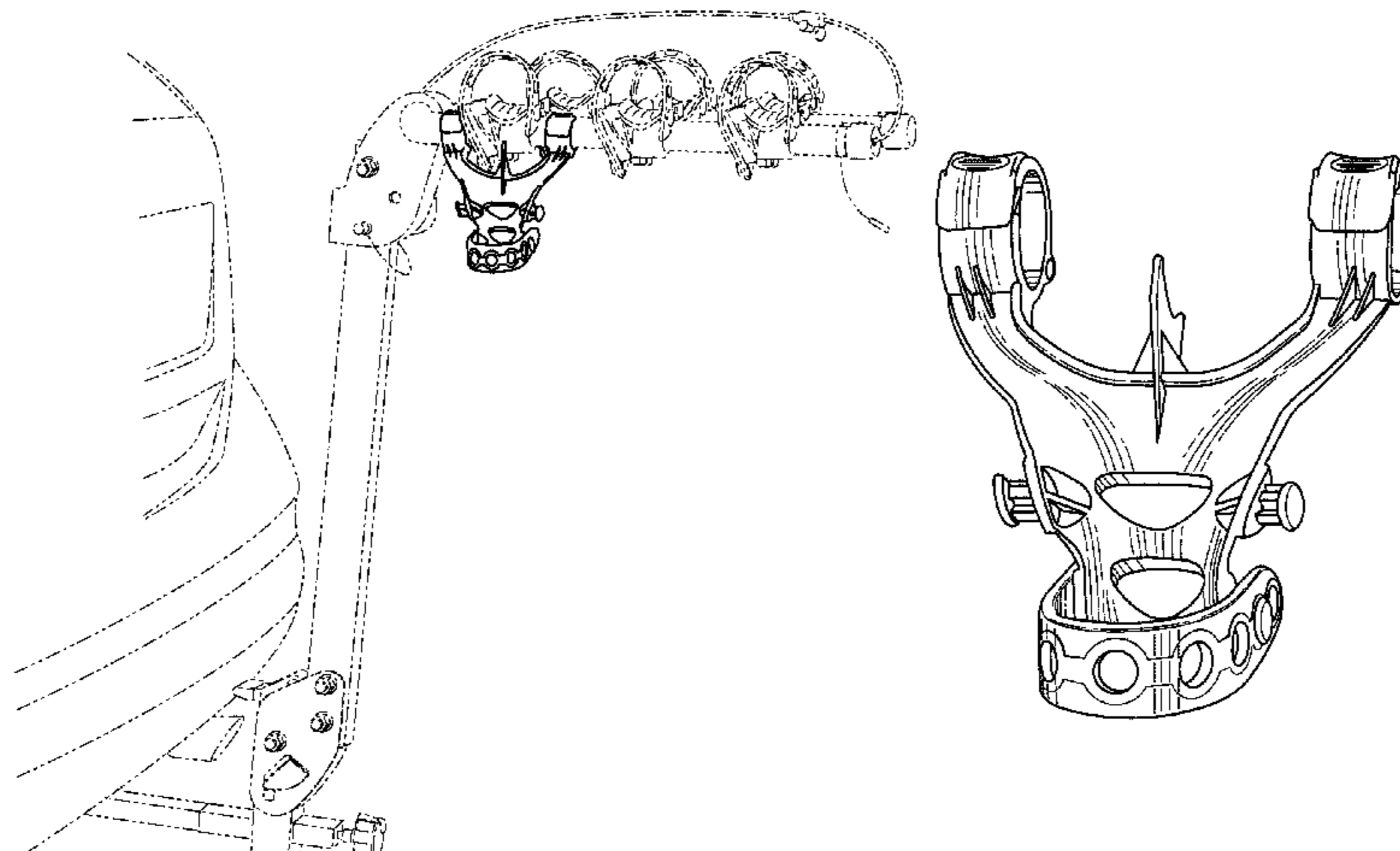
FIG. 18 is a right side elevational view thereof in a closed position;

FIG. 19 is a front elevational view thereof in a closed position; and,

FIG. 20 is a rear elevational view thereof in a closed position.

Broken lines are included for the purpose of illustrating environment, and do not form a part of the claimed design.

**1 Claim, 14 Drawing Sheets**



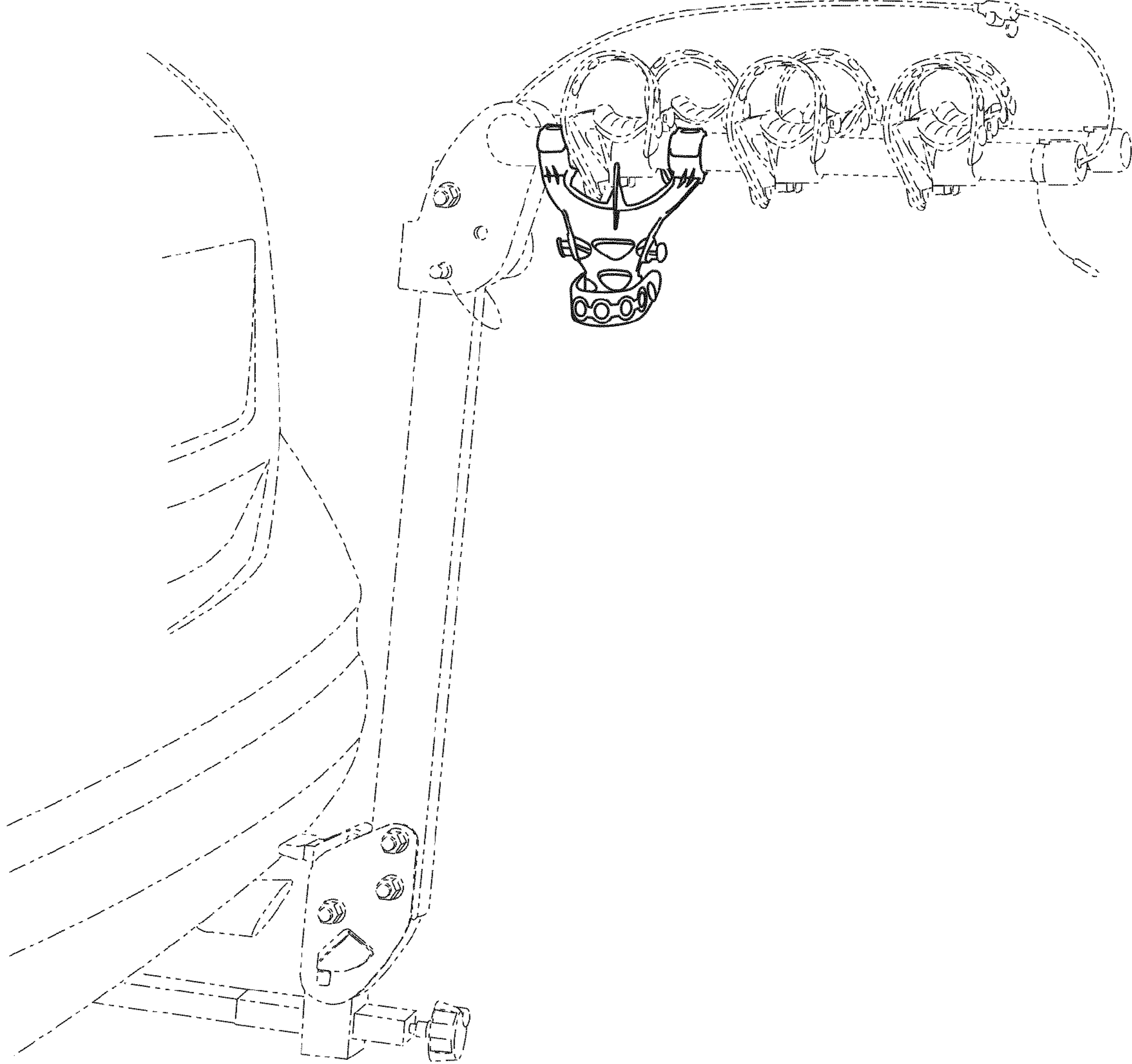


FIG. 1

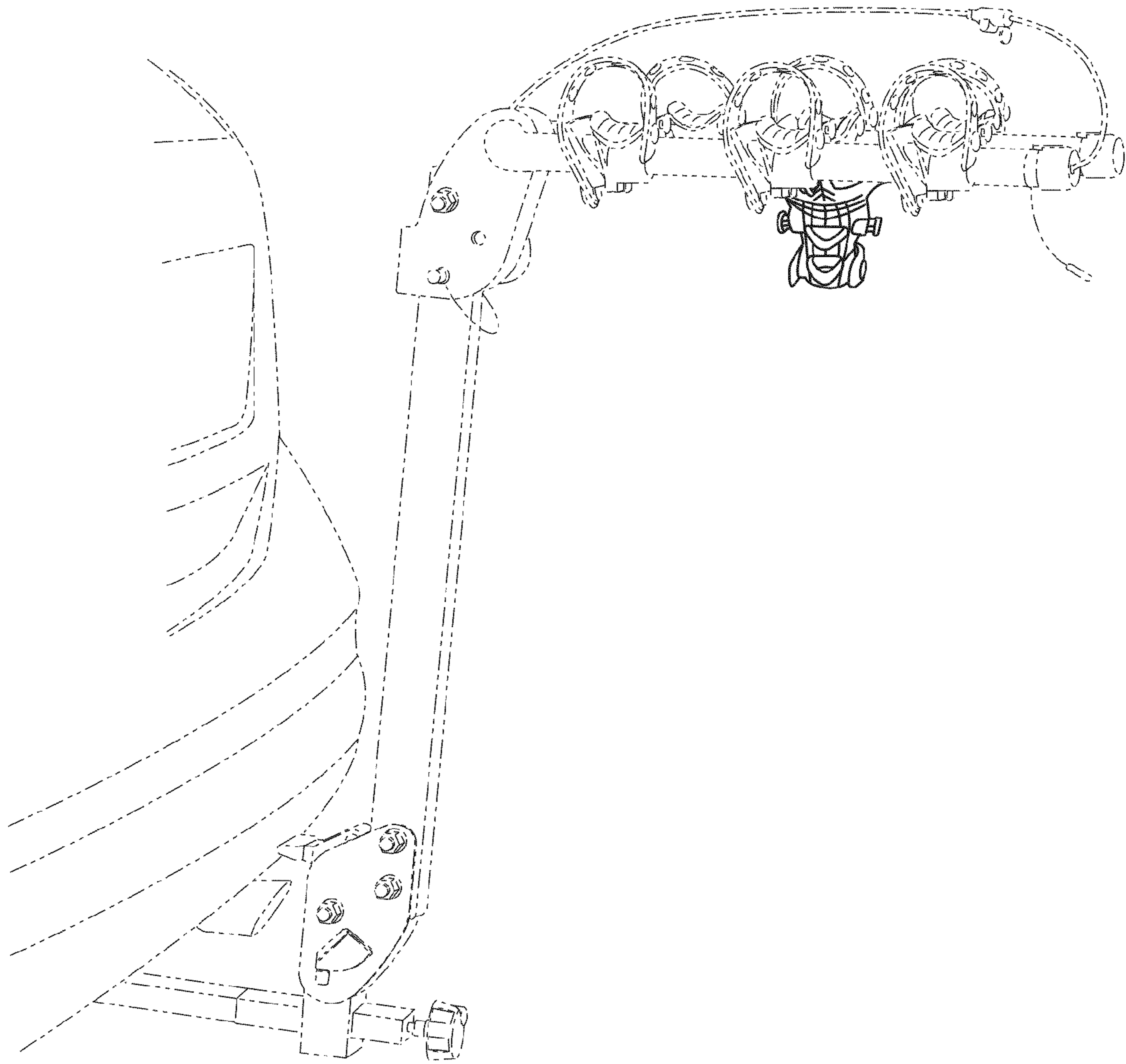


FIG. 2

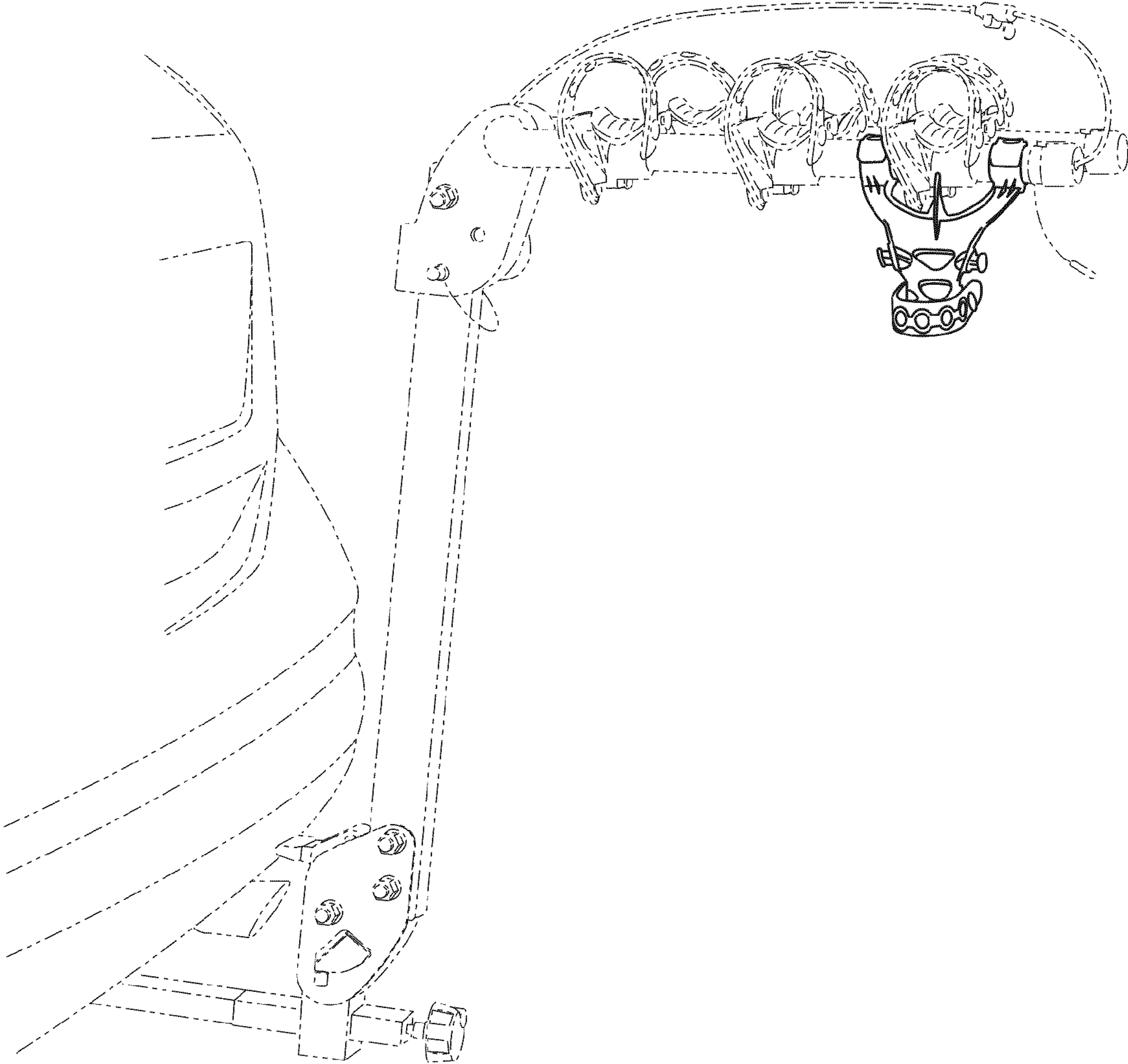


FIG. 3

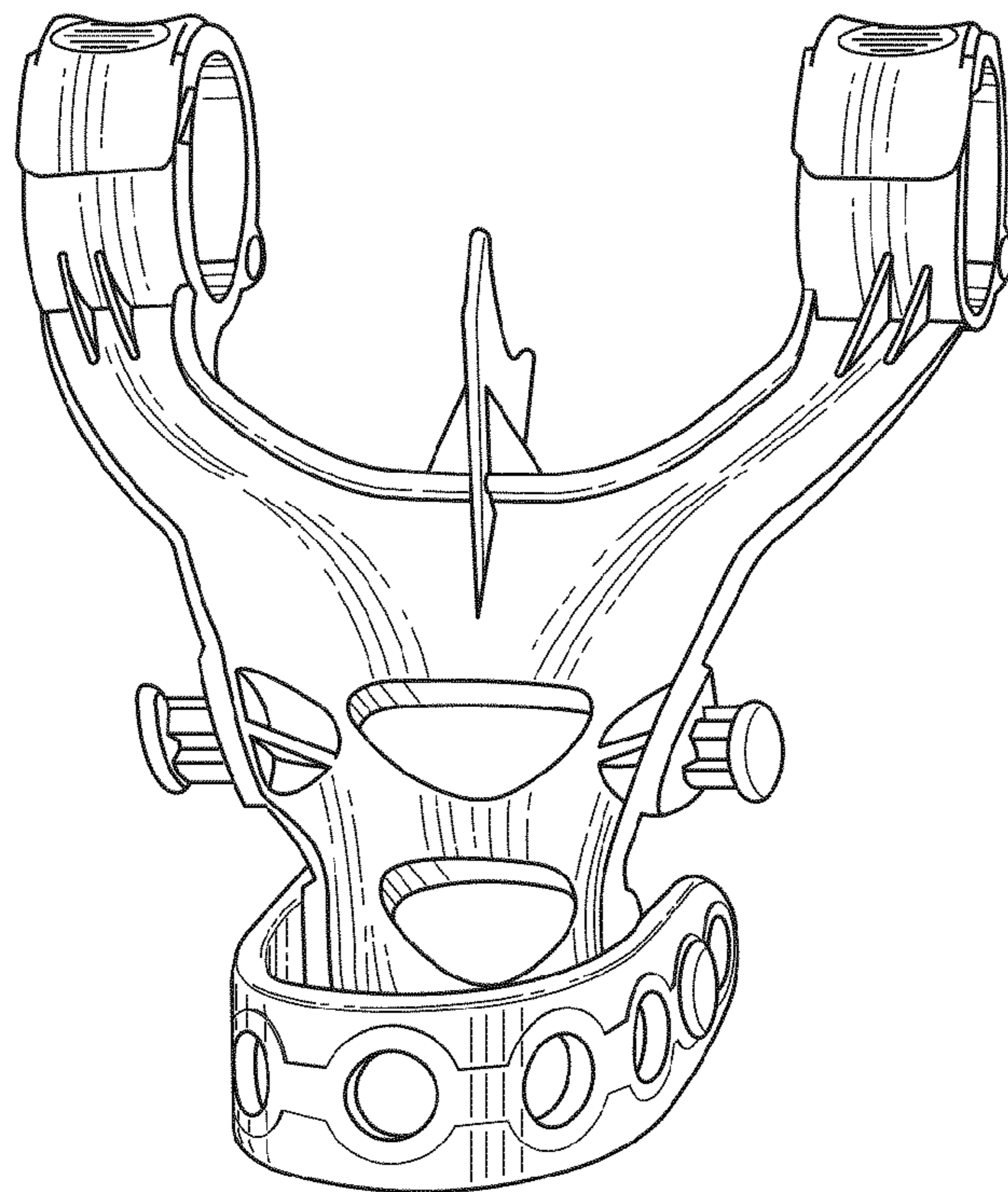


FIG. 4

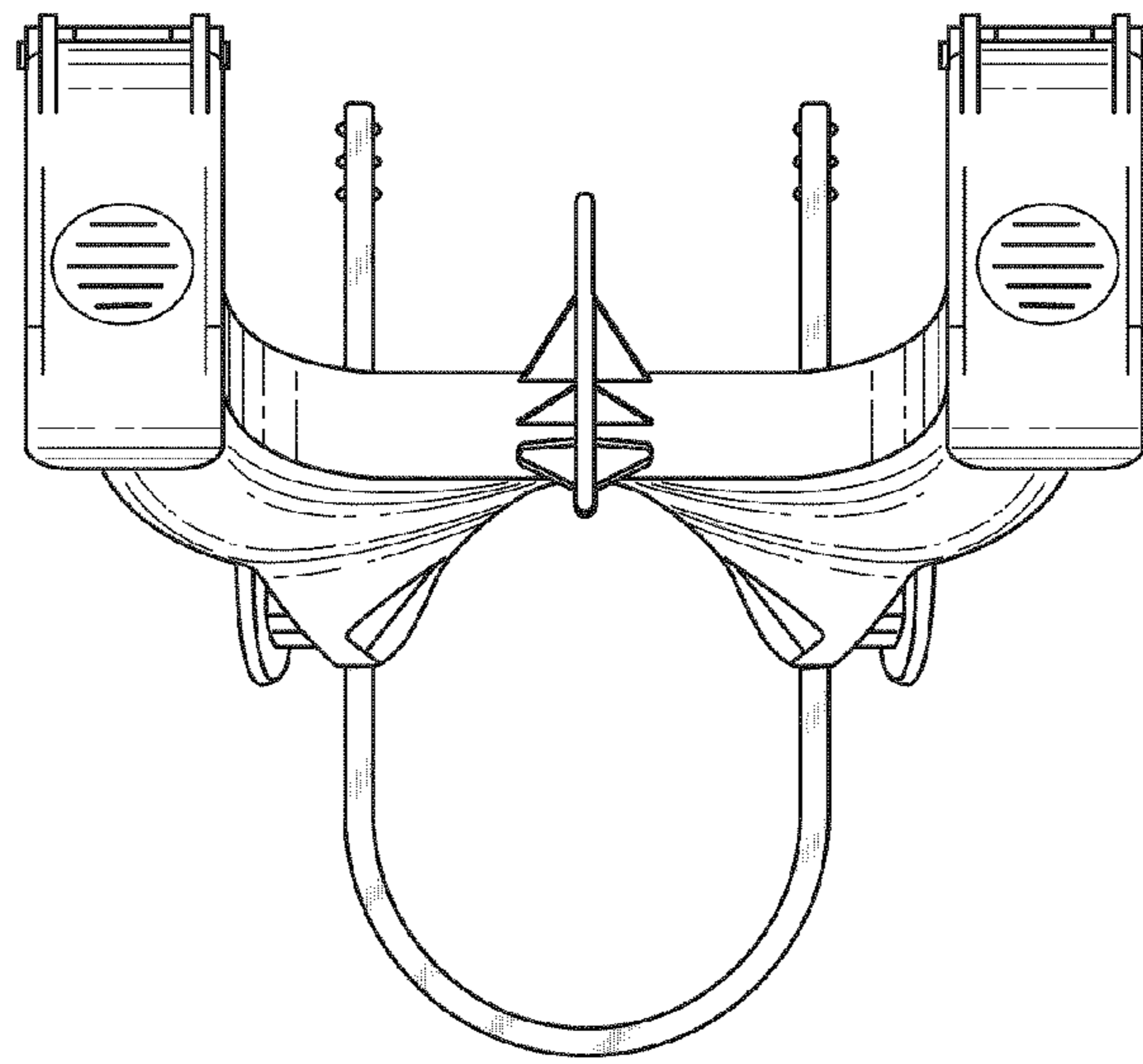


FIG. 5

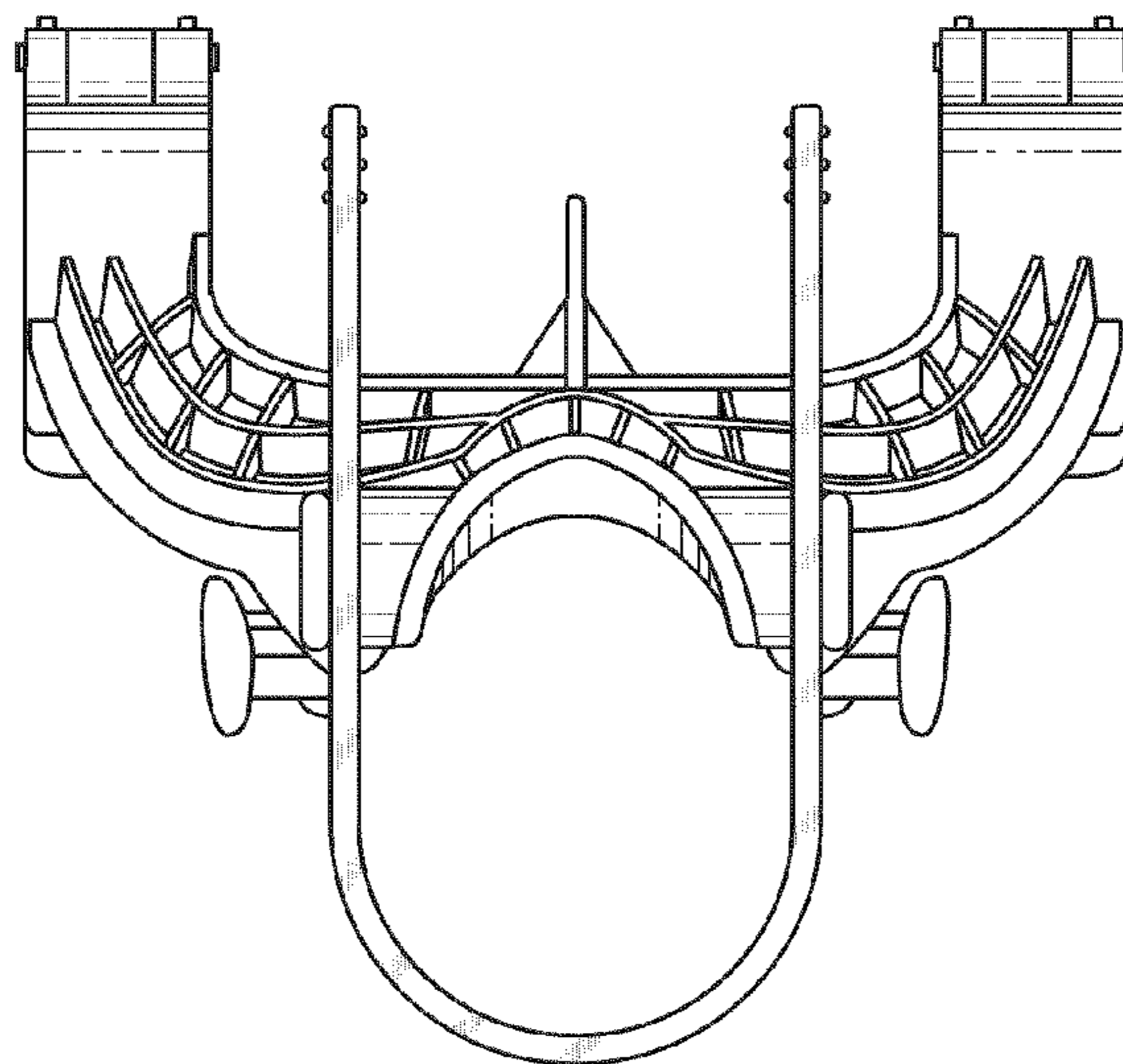


FIG. 6

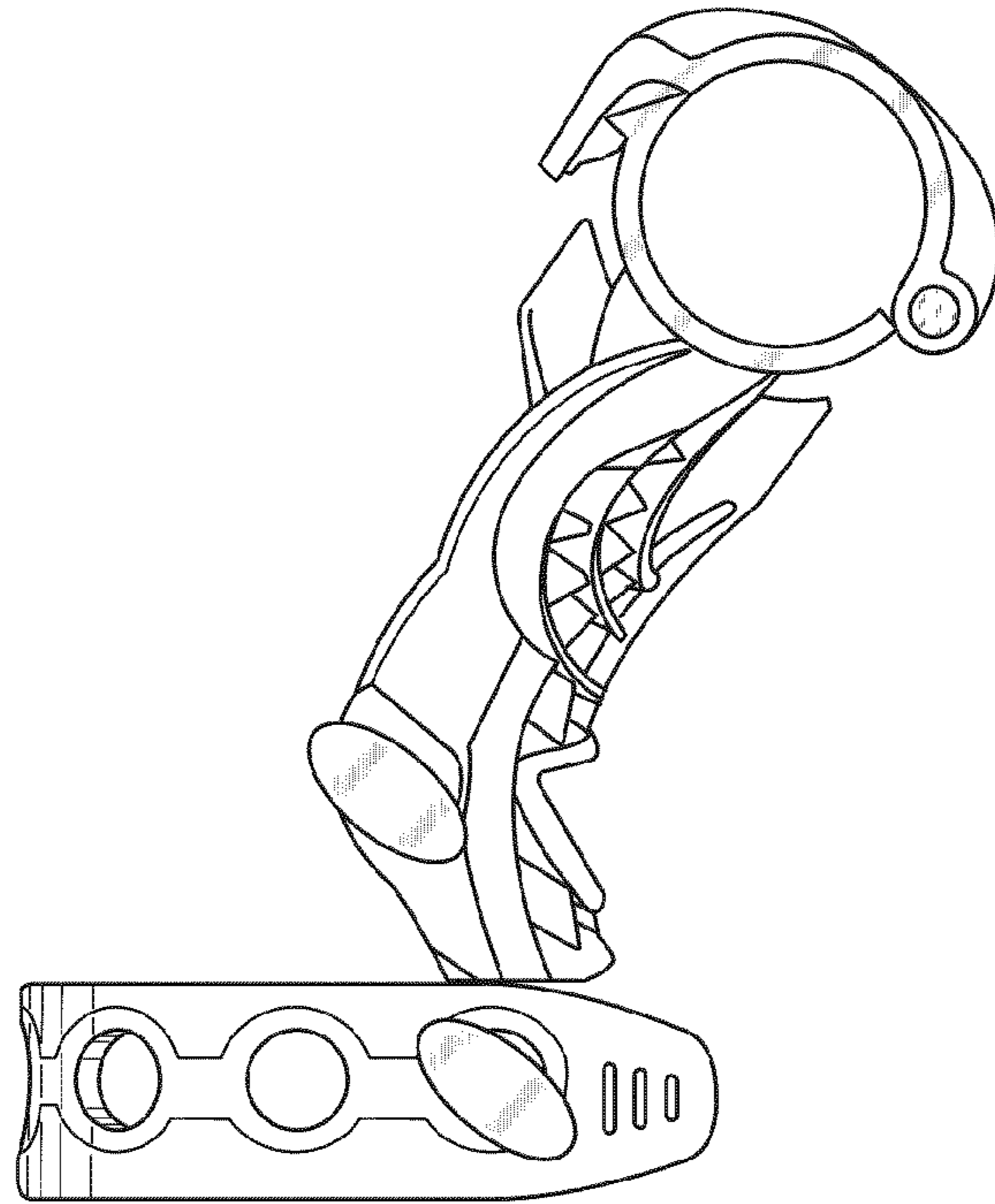


FIG. 7

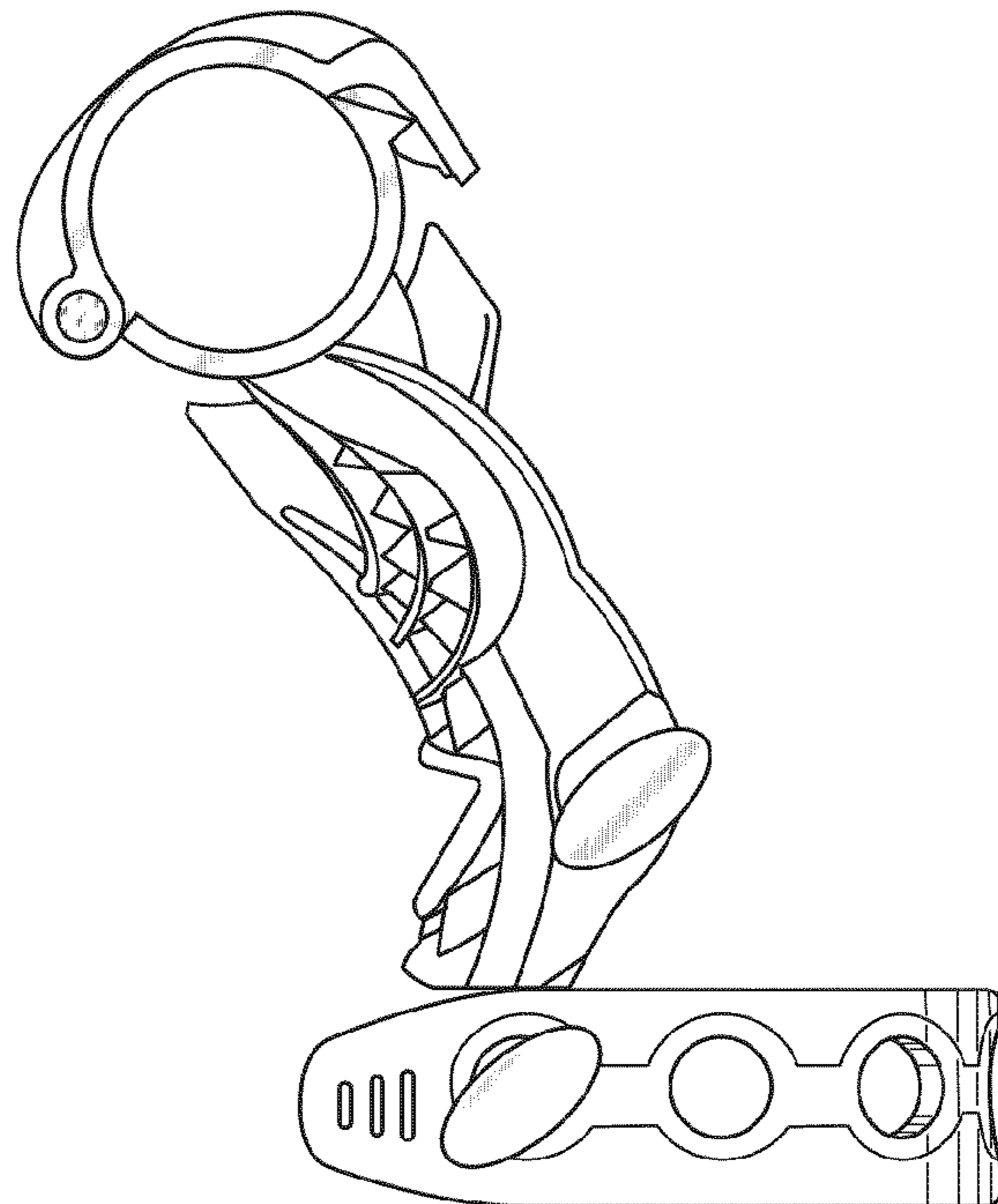


FIG. 8

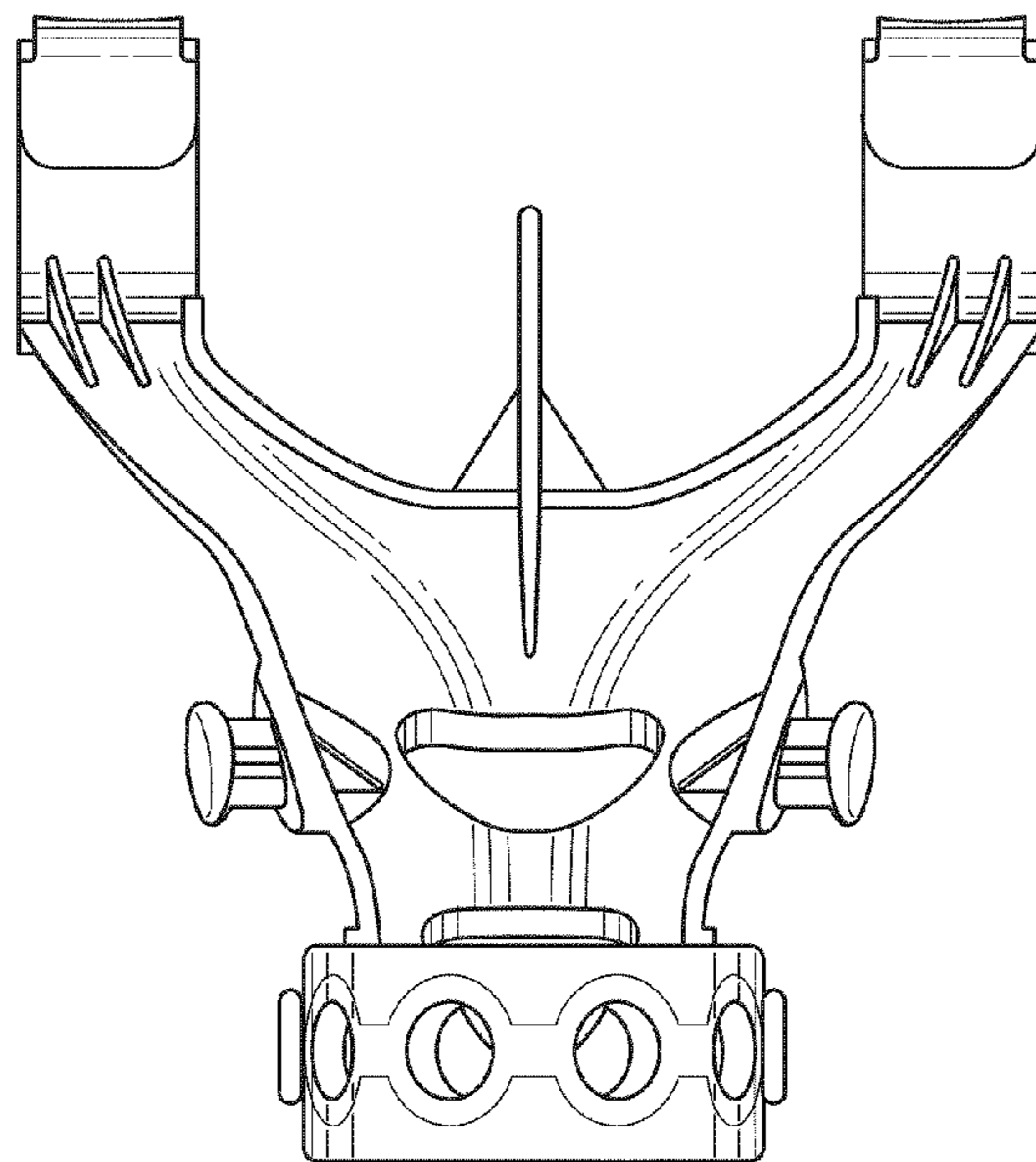


FIG. 9

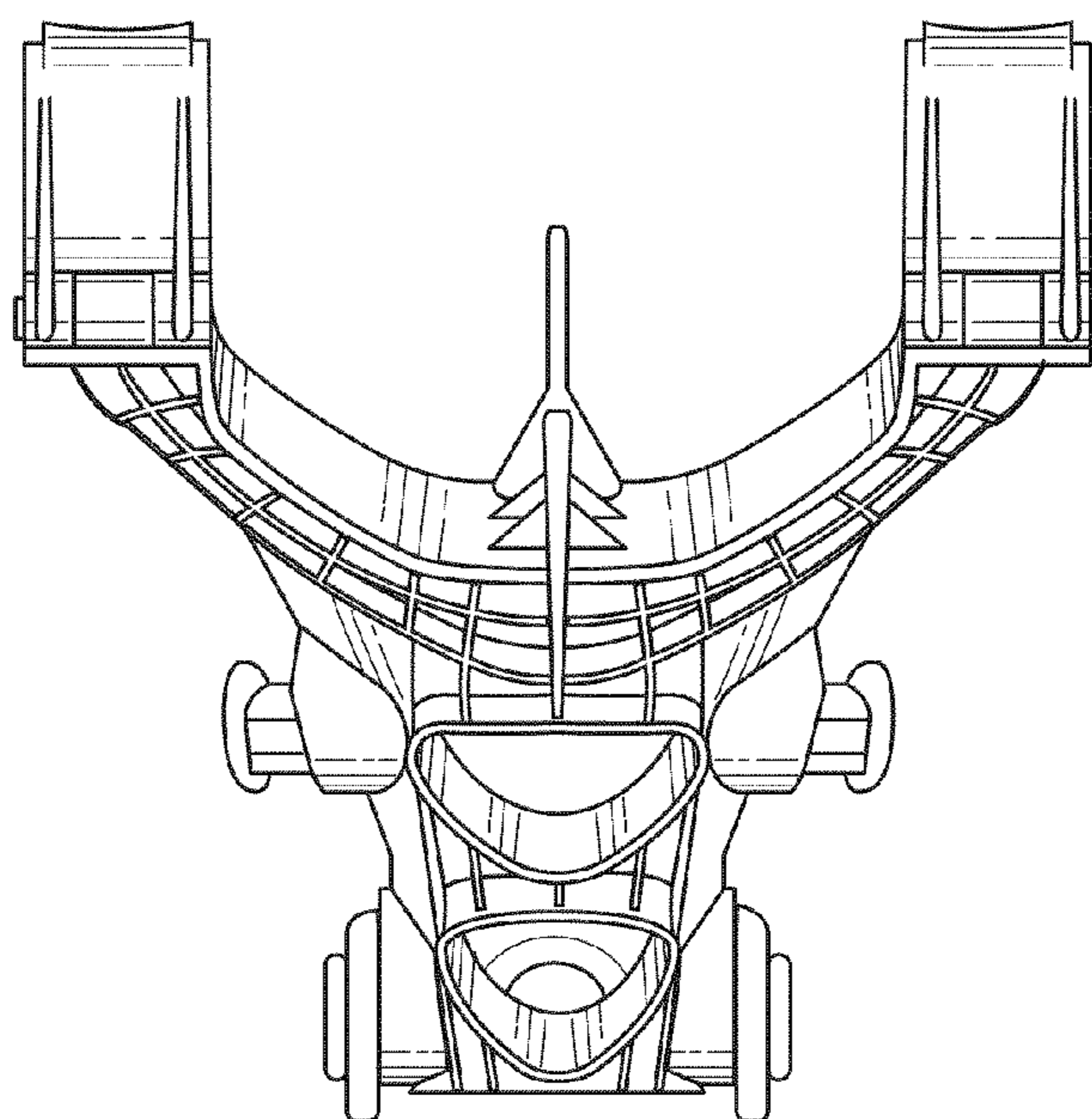


FIG. 10



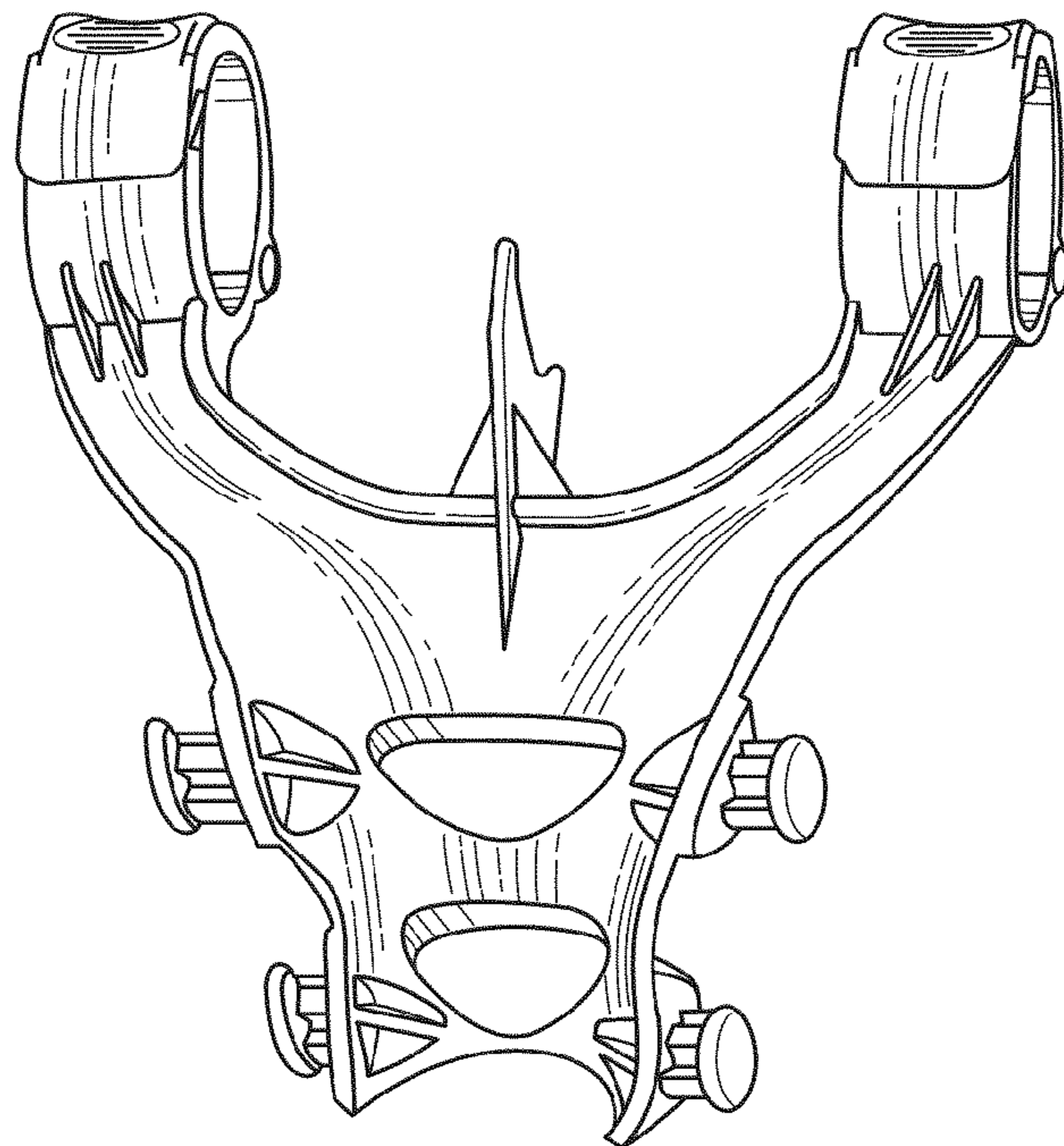


FIG. 11

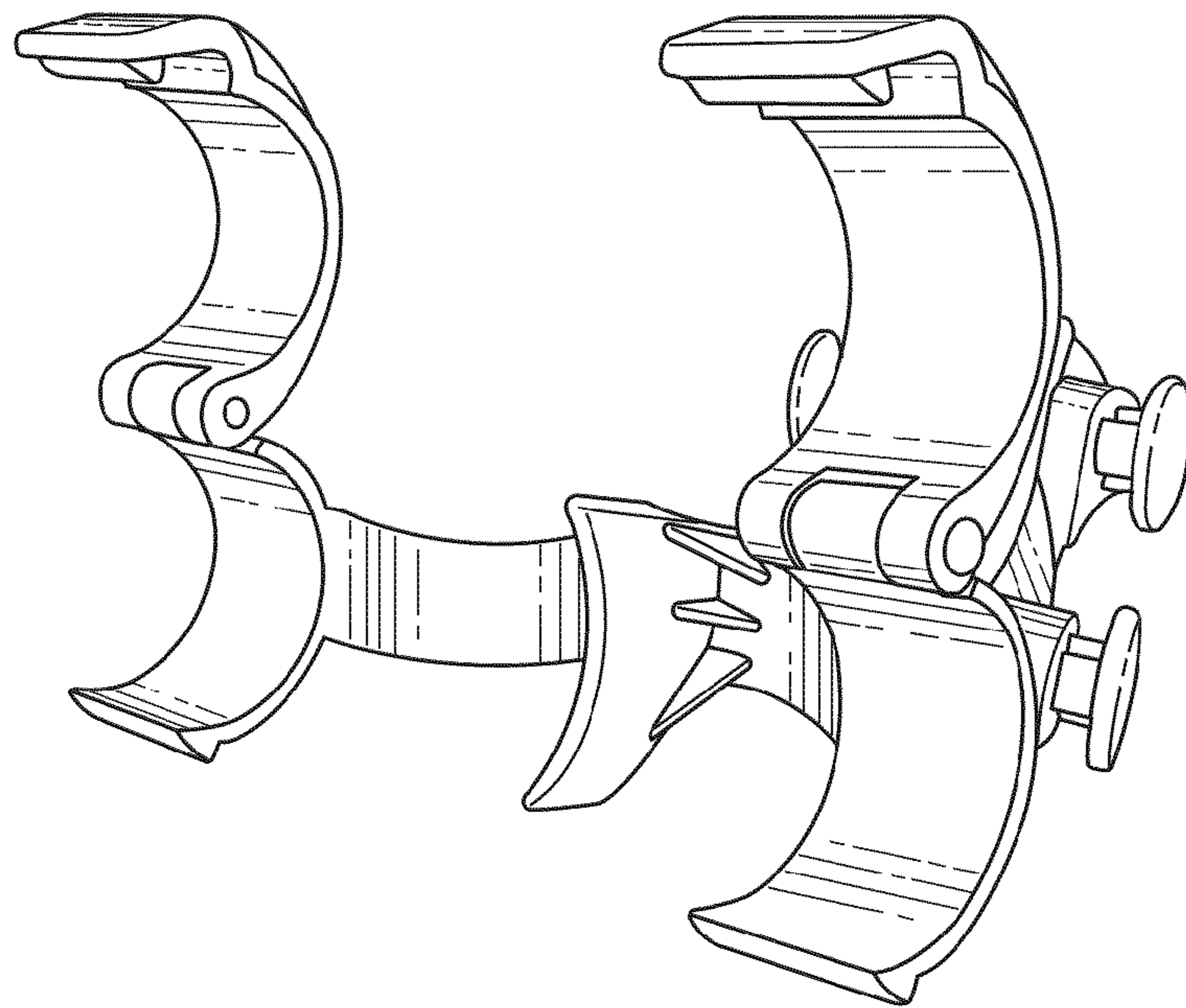


FIG. 12

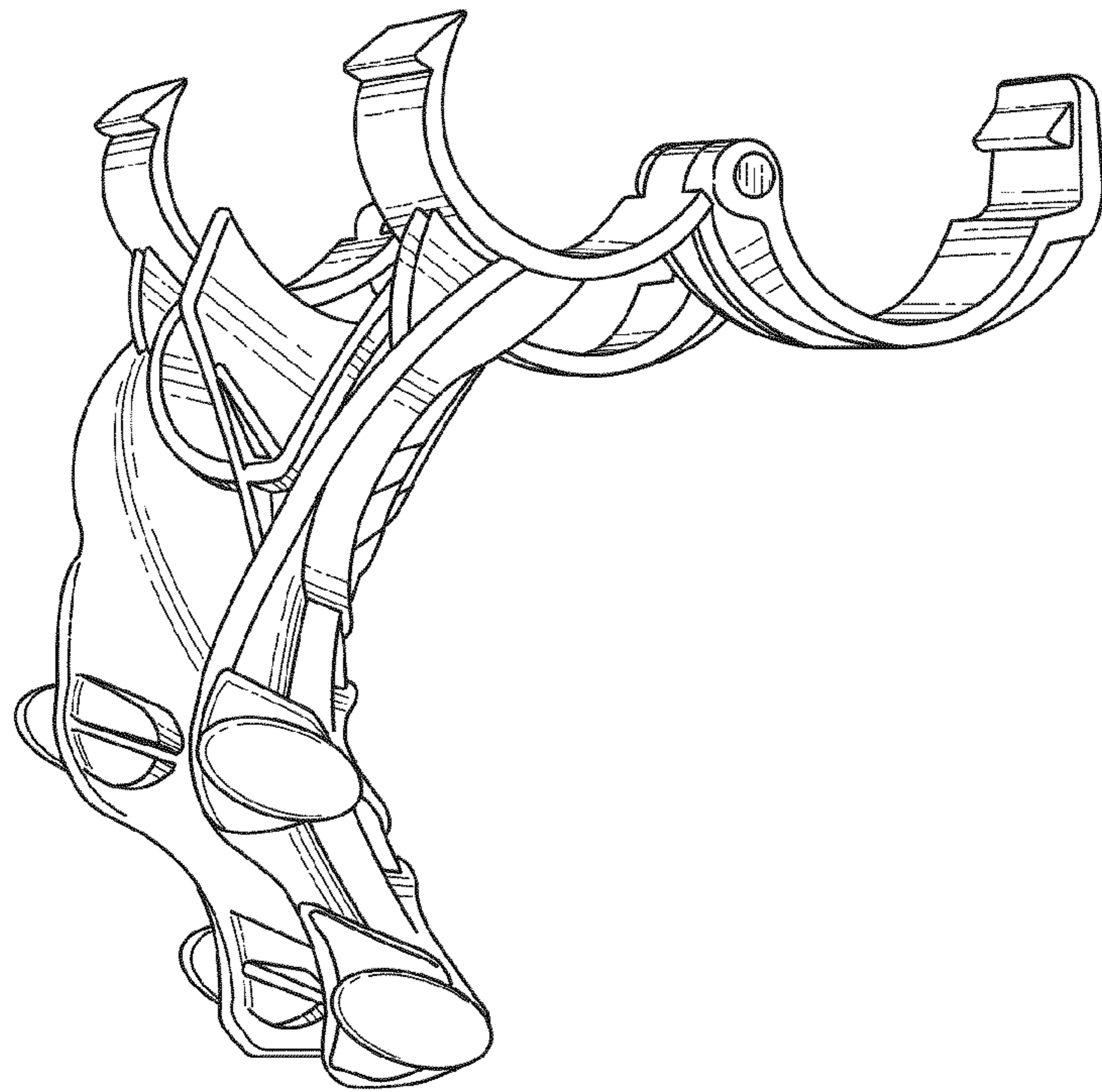


FIG. 13

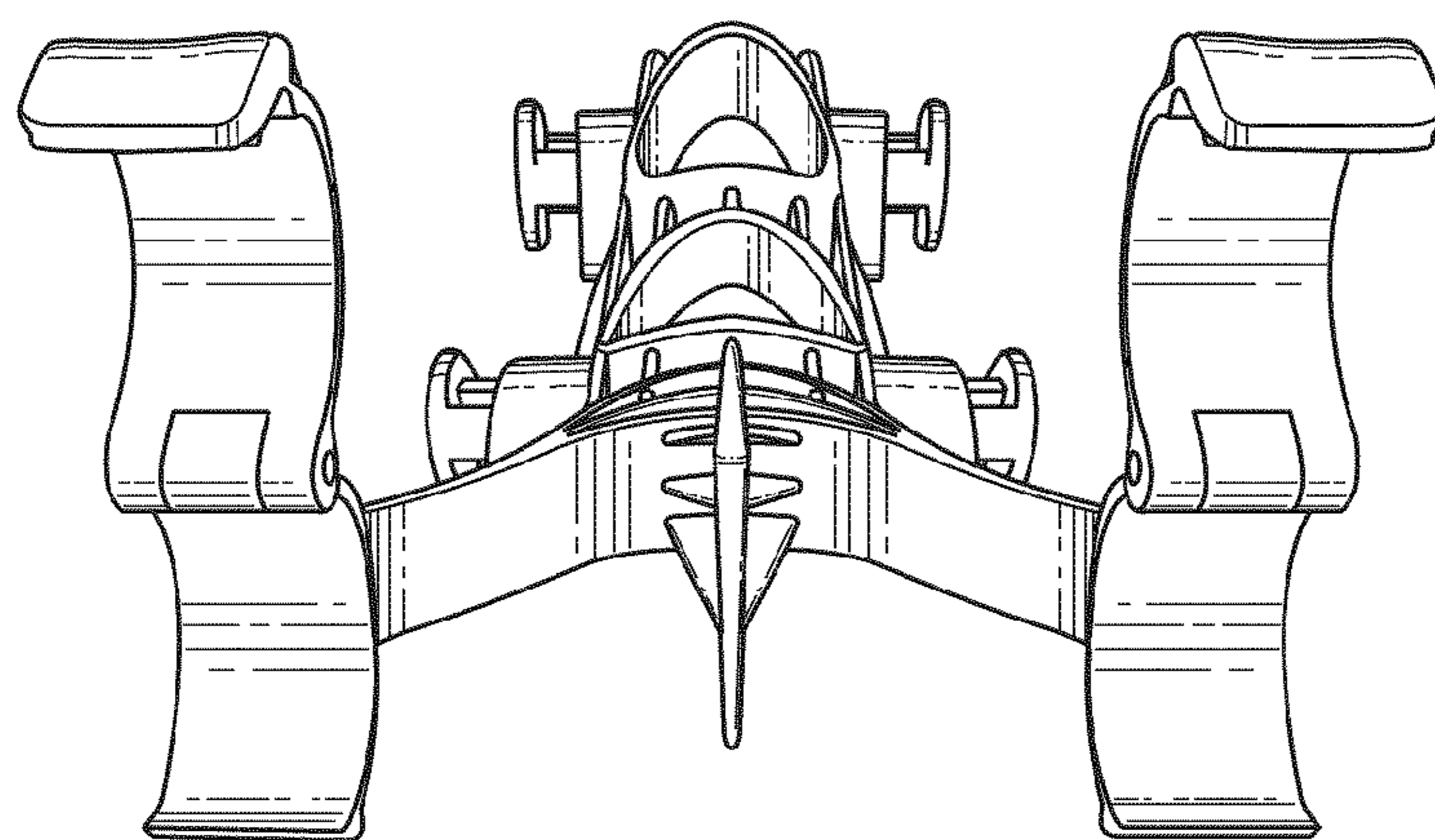


FIG. 14

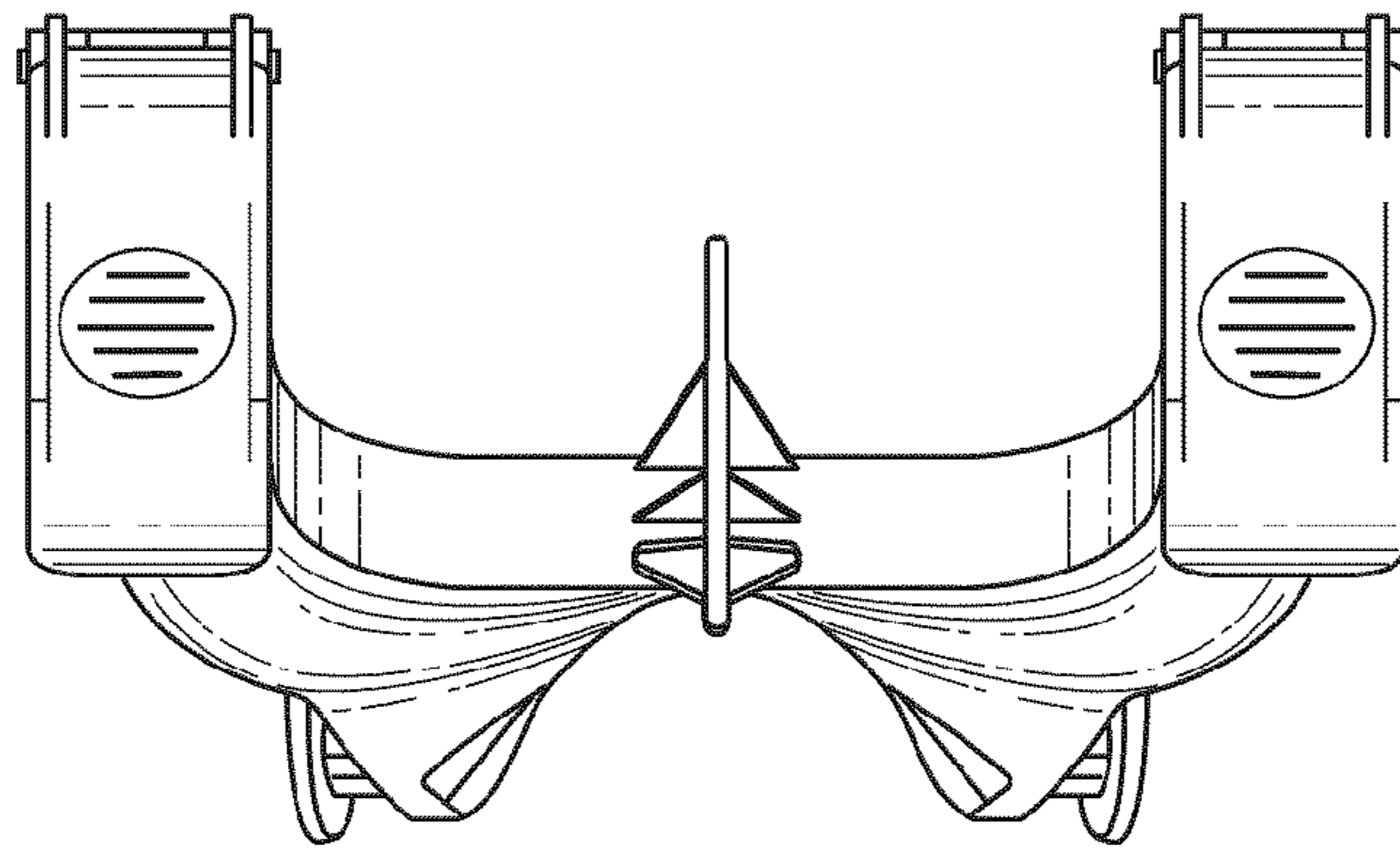


FIG. 15

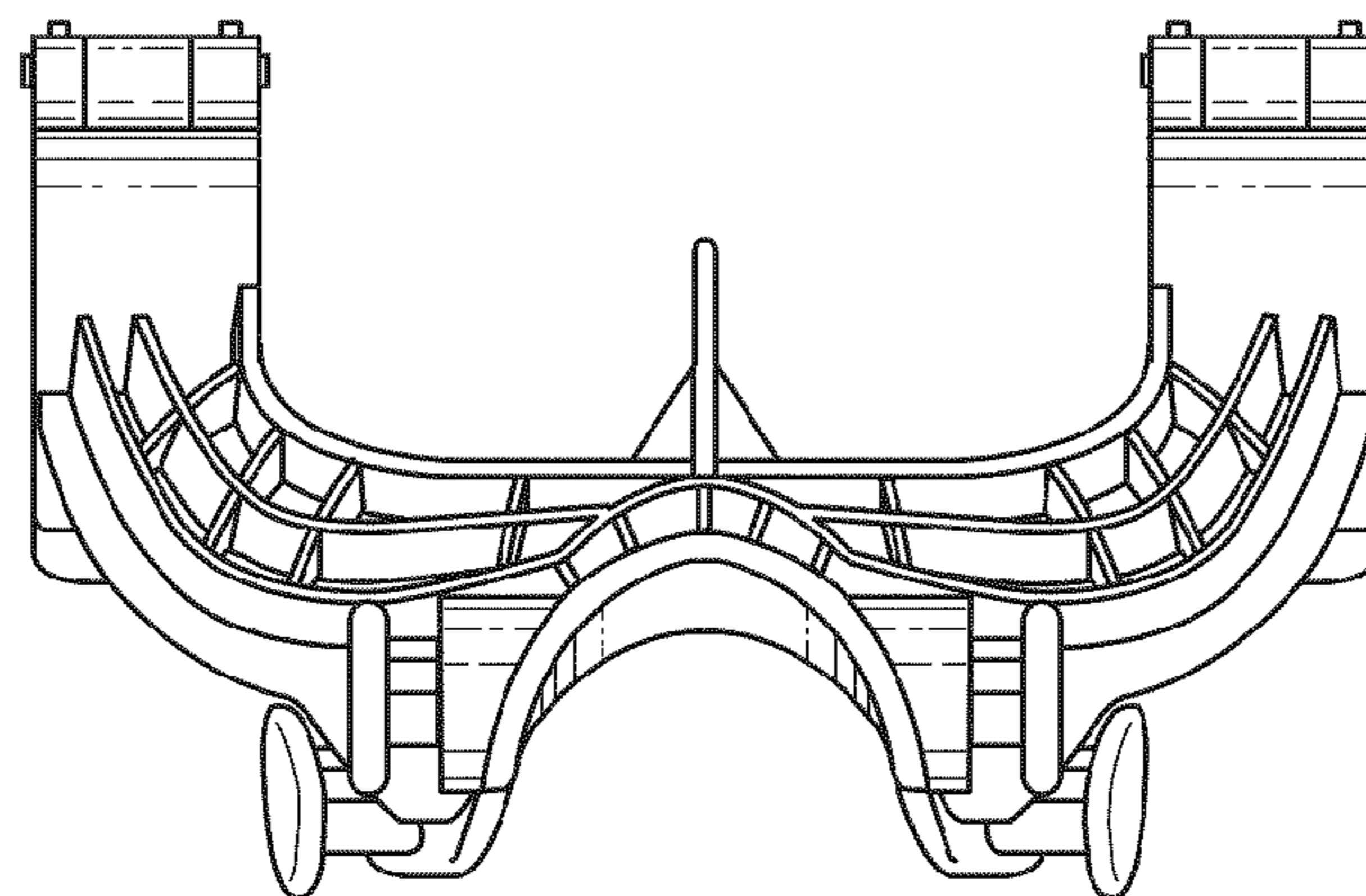


FIG. 16

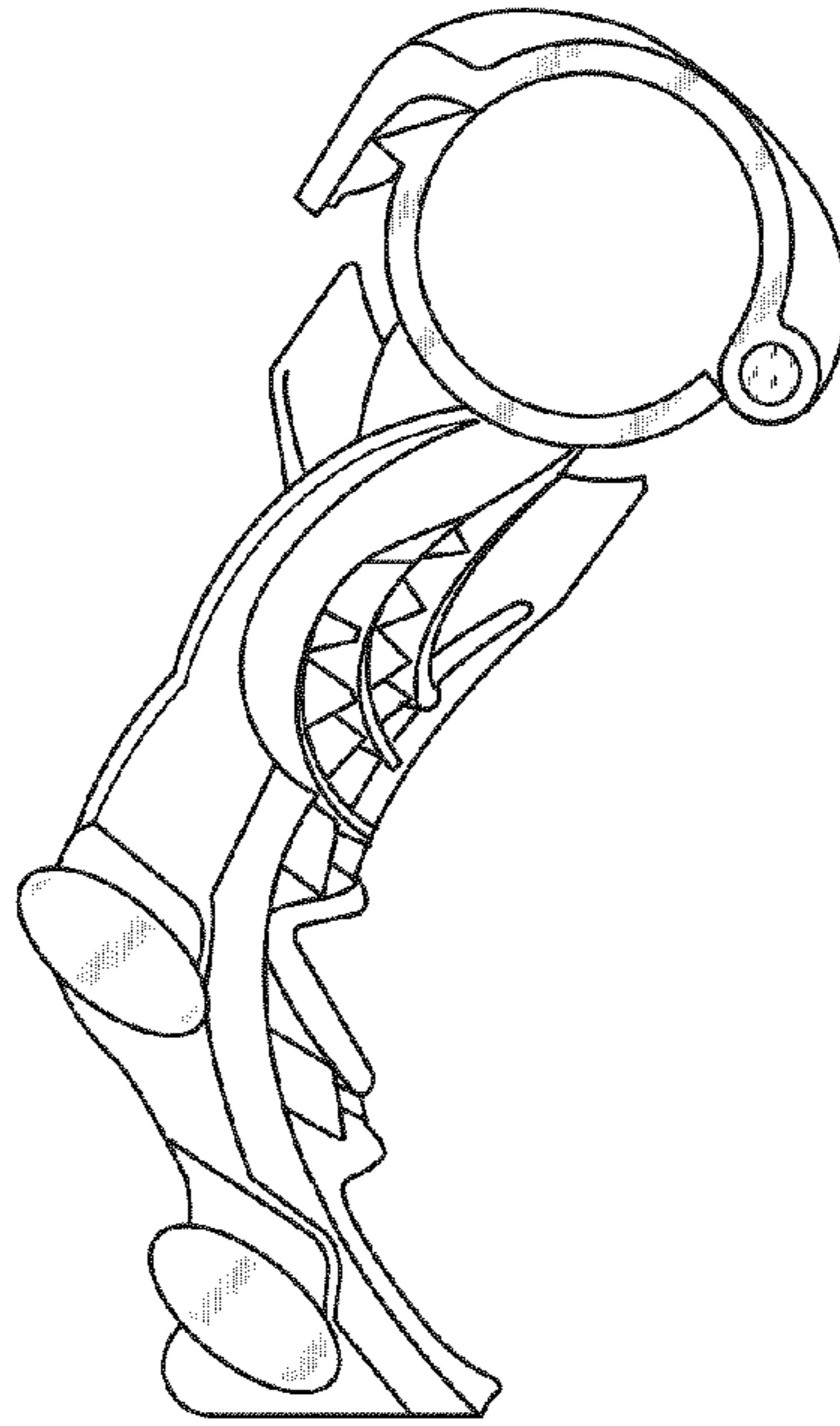


FIG. 17

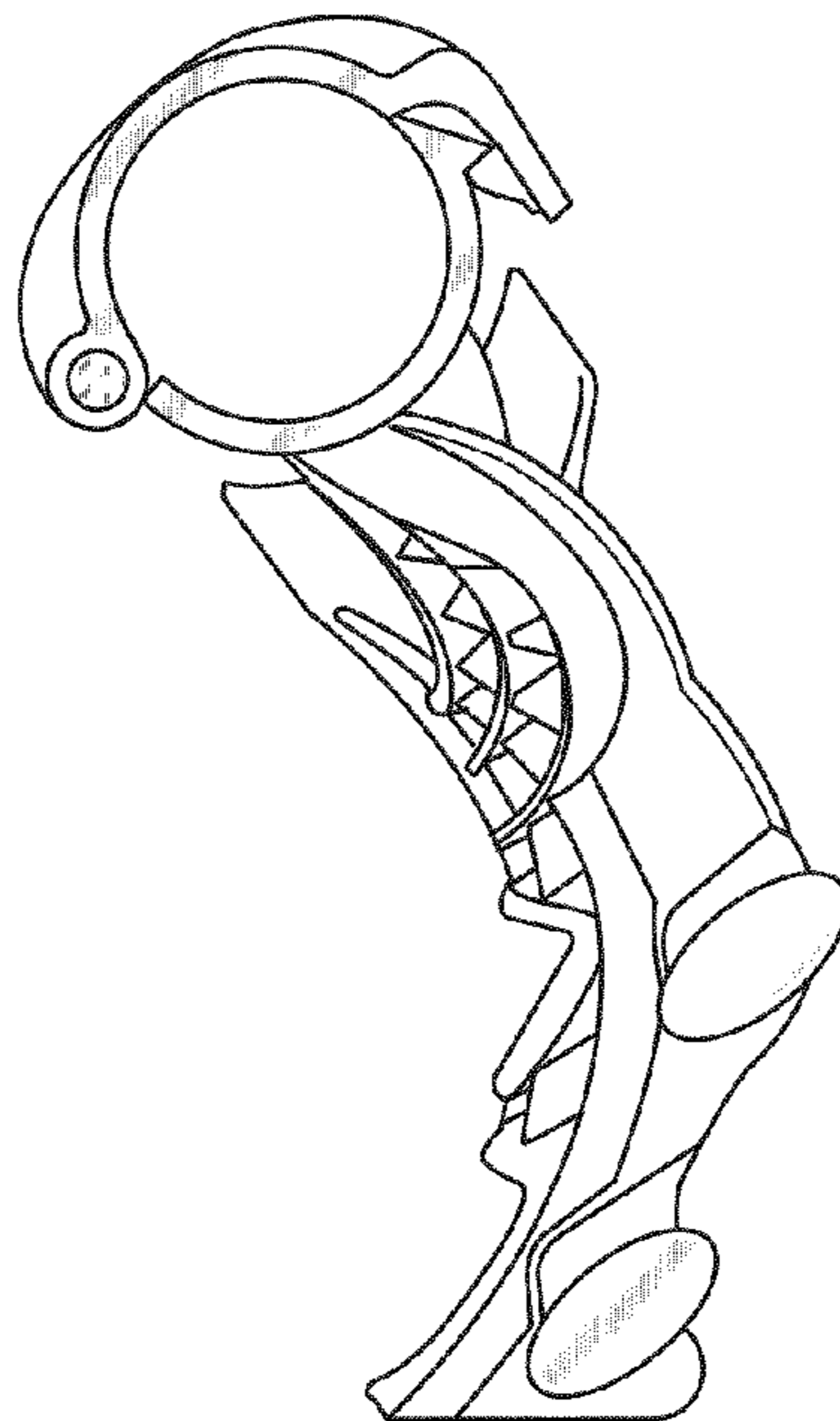


FIG. 18

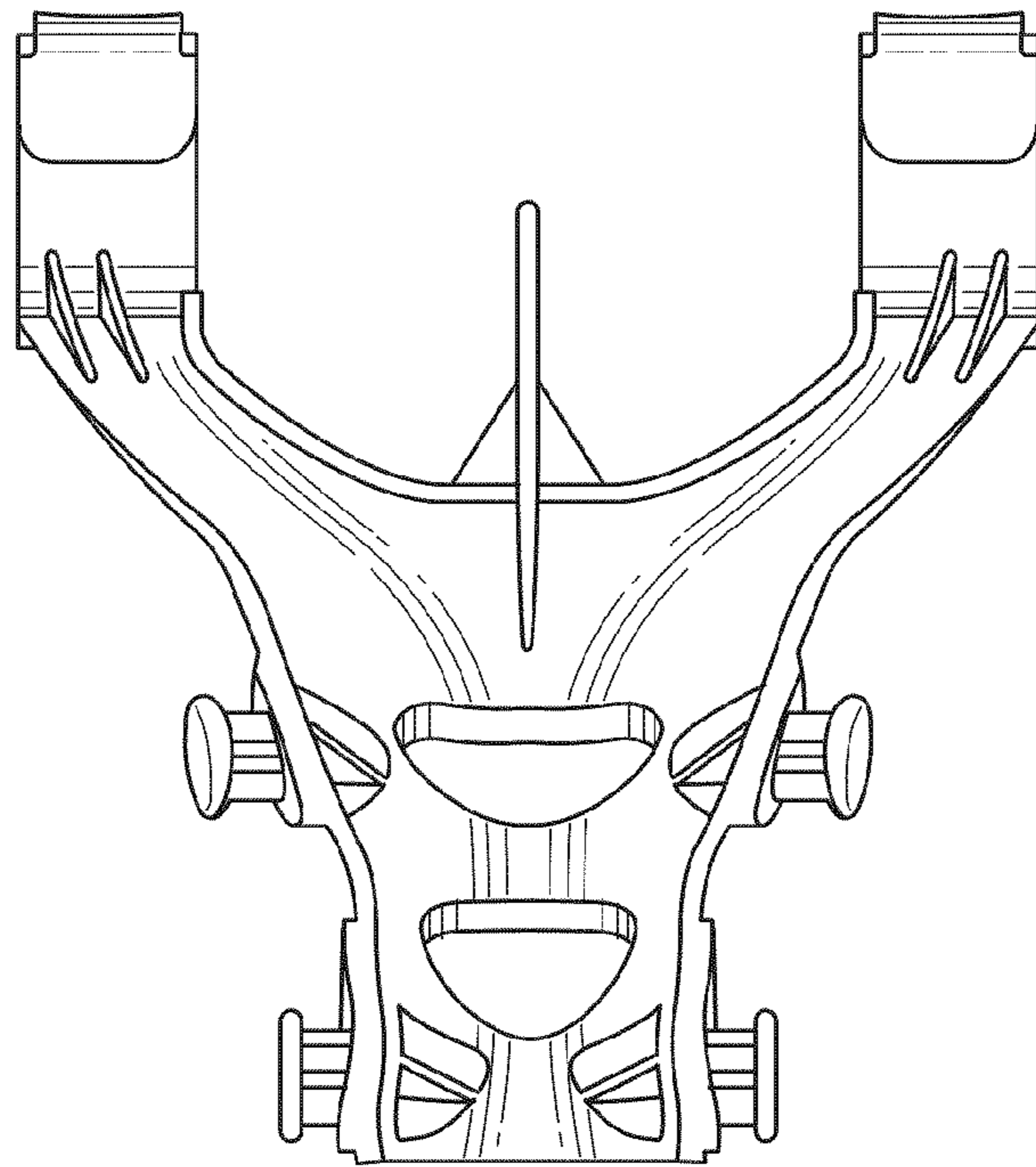


FIG. 19

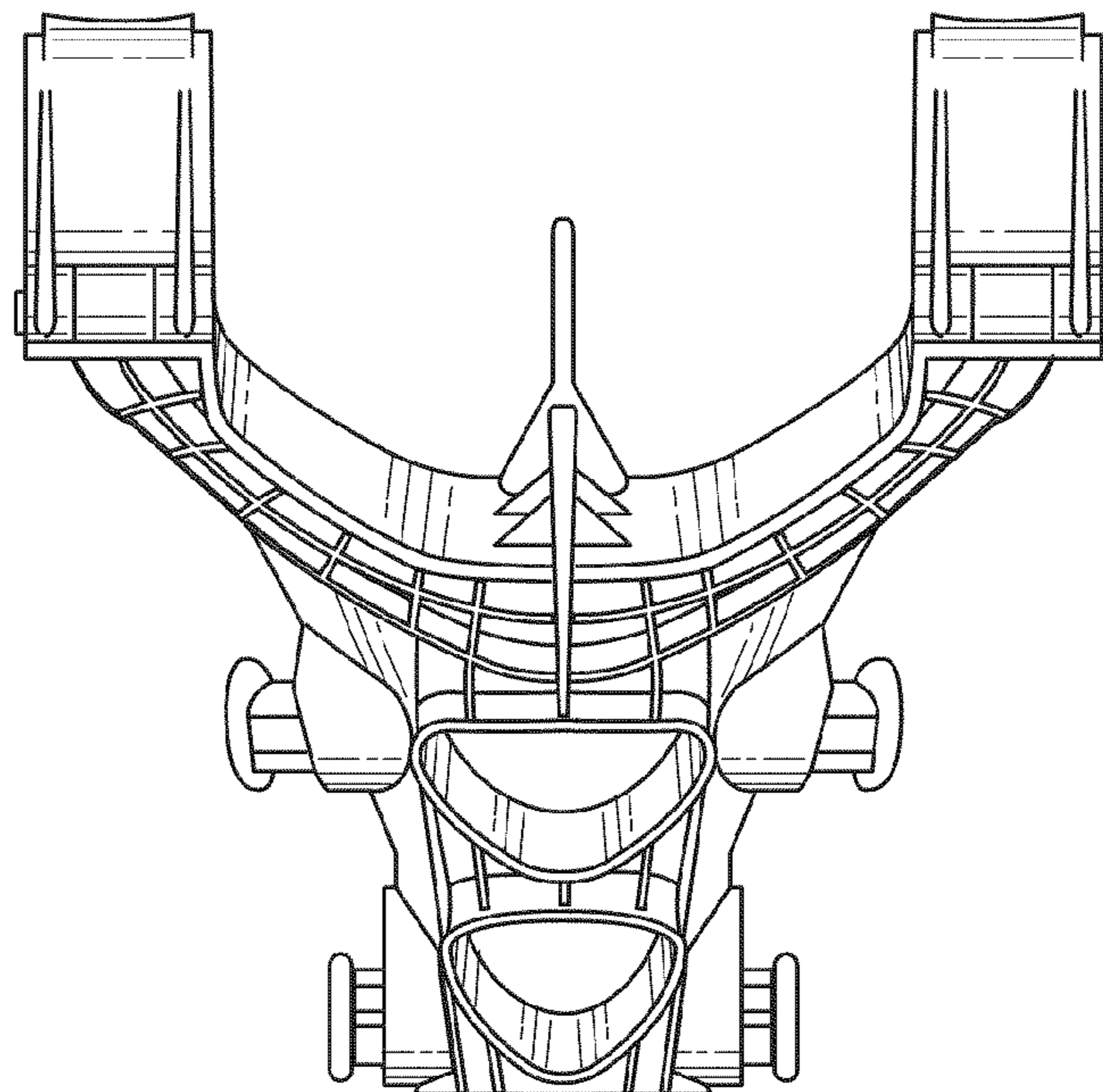


FIG. 20