



US00D612310S

(12) **United States Design Patent**
Guntrum

(10) **Patent No.:** **US D612,310 S**
(45) **Date of Patent:** **** Mar. 23, 2010**

(54) **SIDE MIRROR FOR A VEHICLE**

(75) Inventor: **Christian Guntrum**, Leonberg (DE)

(73) Assignee: **Daimler AG**, Stuttgart (DE)

(**) Term: **14 Years**

(21) Appl. No.: **29/309,073**

(22) Filed: **Jun. 18, 2008**

(30) **Foreign Application Priority Data**

Dec. 19, 2007 (EM) 000846621-0010

(51) **LOC (9) Cl.** **12-16**

(52) **U.S. Cl.** **D12/187**

(58) **Field of Classification Search** D12/187,
D12/188-189, 96; D6/300, 309; 359/838,
359/841, 843, 844, 868, 871, 604, 881, 514,
359/866; 248/479-483, 475.1

See application file for complete search history.

(56) **References Cited**

U.S. PATENT DOCUMENTS

- D478,853 S * 8/2003 Boyer D12/187
- D587,638 S * 3/2009 Futschik et al. D12/187
- 7,600,877 B2 * 10/2009 Behbehani 359/868
- 2001/0015862 A1 * 8/2001 Lynam et al. 359/879
- 2004/0218272 A1 * 11/2004 Boddy 359/512
- 2005/0174645 A1 * 8/2005 Boddy et al. 359/599
- 2005/0200987 A1 * 9/2005 Pavao 359/871
- 2005/0254153 A1 * 11/2005 Kawanishi 359/879
- 2008/0310041 A1 * 12/2008 Sinelli et al. 359/879
- 2009/0244744 A1 * 10/2009 Okamoto et al. 359/872

* cited by examiner

Primary Examiner—Caron Veynar
Assistant Examiner—Katrina A Kile
(74) *Attorney, Agent, or Firm*—Crowell & Moring LLP

(57) **CLAIM**

The ornamental design for a side mirror for a vehicle, as shown and described.

DESCRIPTION

FIG. 1 is a front perspective view of a first embodiment of a side mirror for a vehicle according to my novel design;

FIG. 2 is a front view thereof;

FIG. 3 is a rear view thereof;

FIG. 4 is a bottom view thereof; and

FIG. 5 is a side view thereof.

FIG. 6 is a front perspective view of a second embodiment of the side mirror for a vehicle according to my novel design;

FIG. 7 is a front view thereof;

FIG. 8 is a rear view thereof;

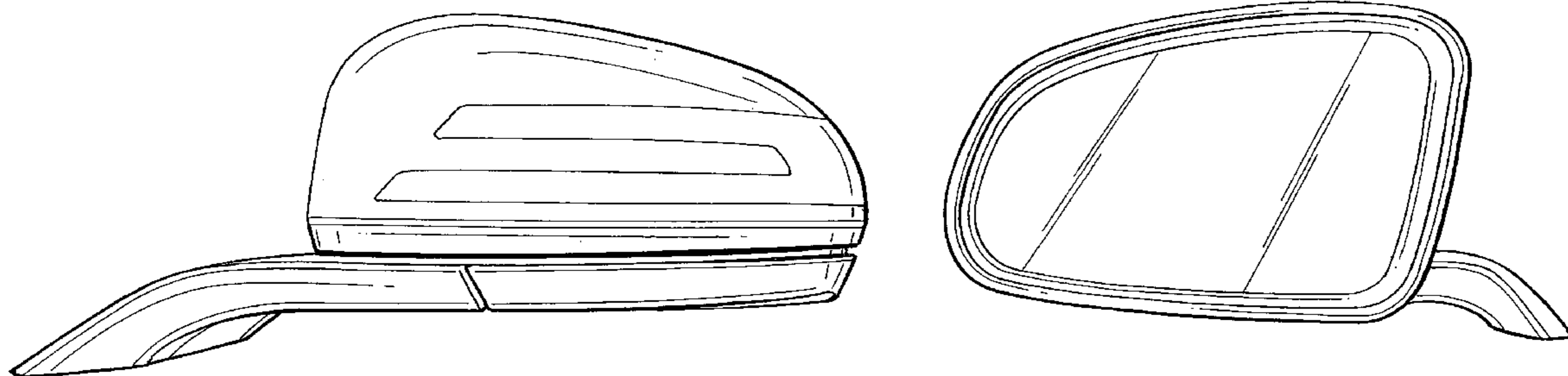
FIG. 9 is a bottom view thereof; and,

FIG. 10 is a side view thereof.

The second embodiment is a mirror image of the left side mirror for a vehicle as shown in FIGS. 1-5.

In the drawings, the broken lines in FIGS. 4 and 9 show portions of a side mirror for a vehicle and form no part of the claimed design.

1 Claim, 4 Drawing Sheets



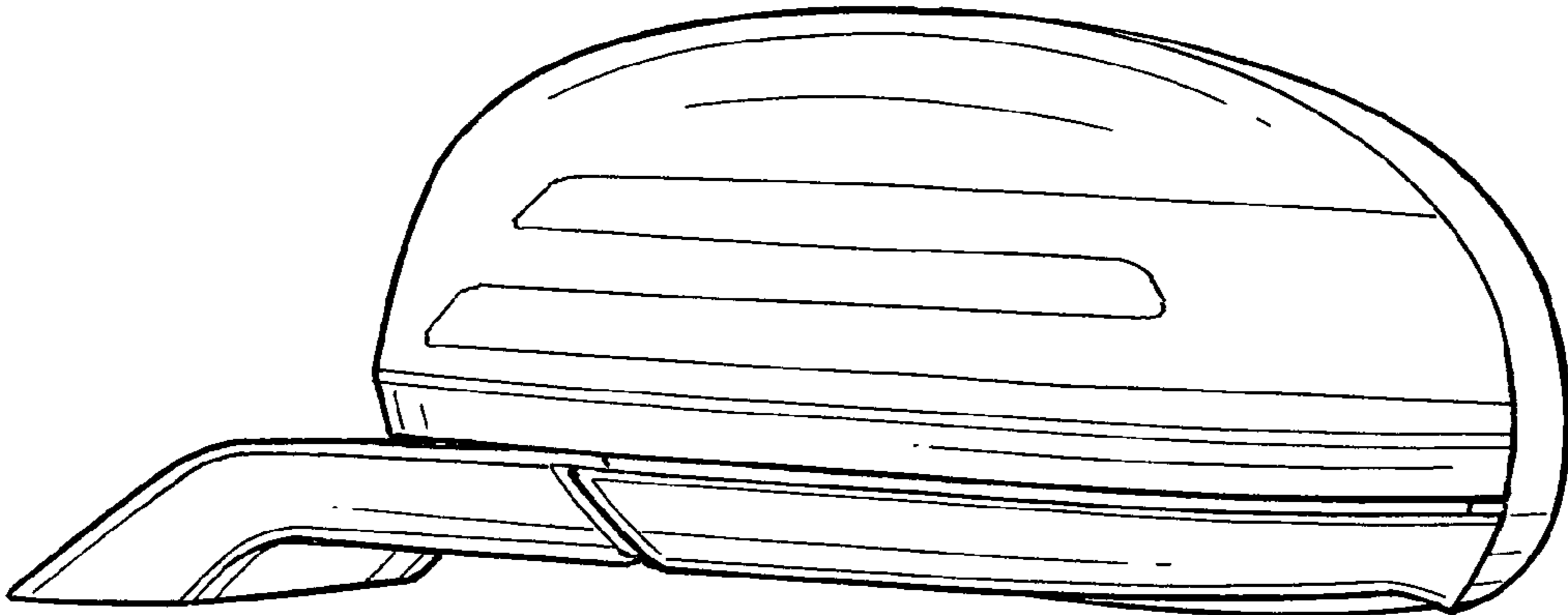


FIG. 1

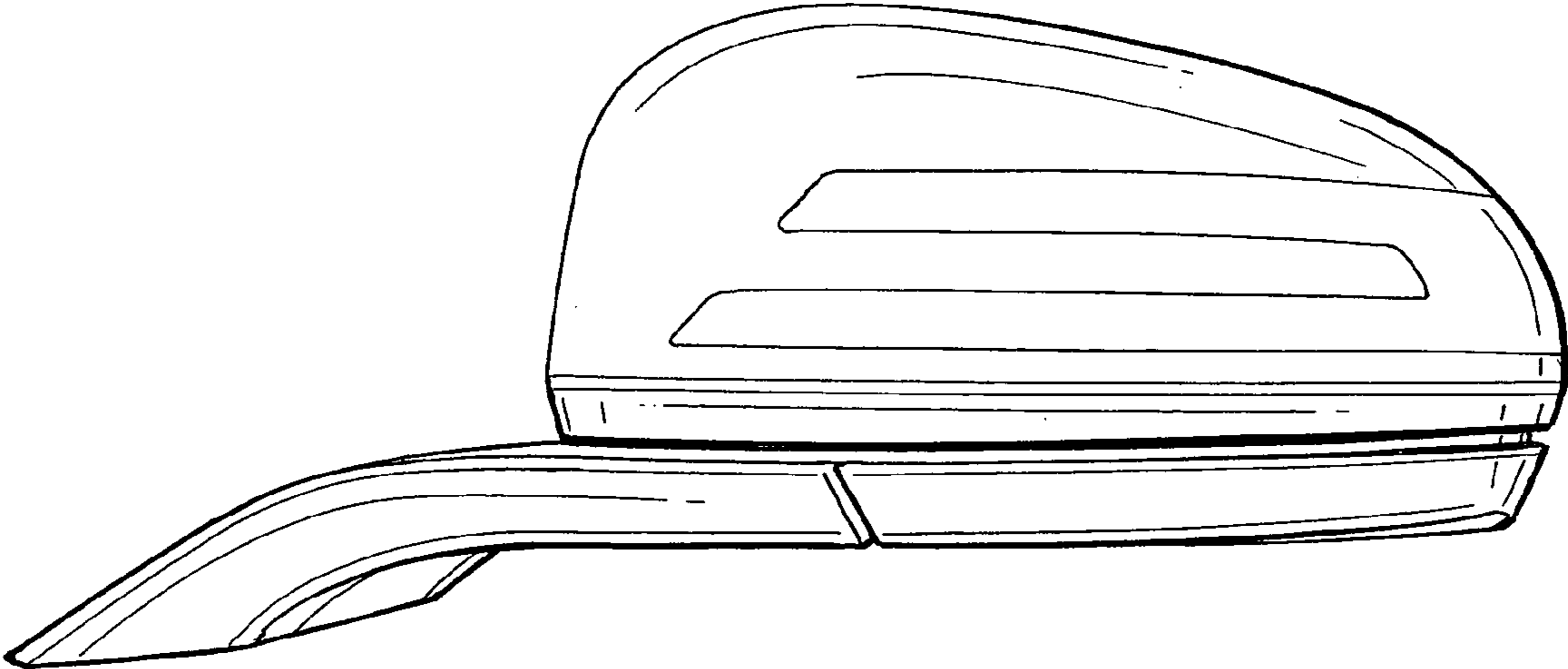


FIG. 2

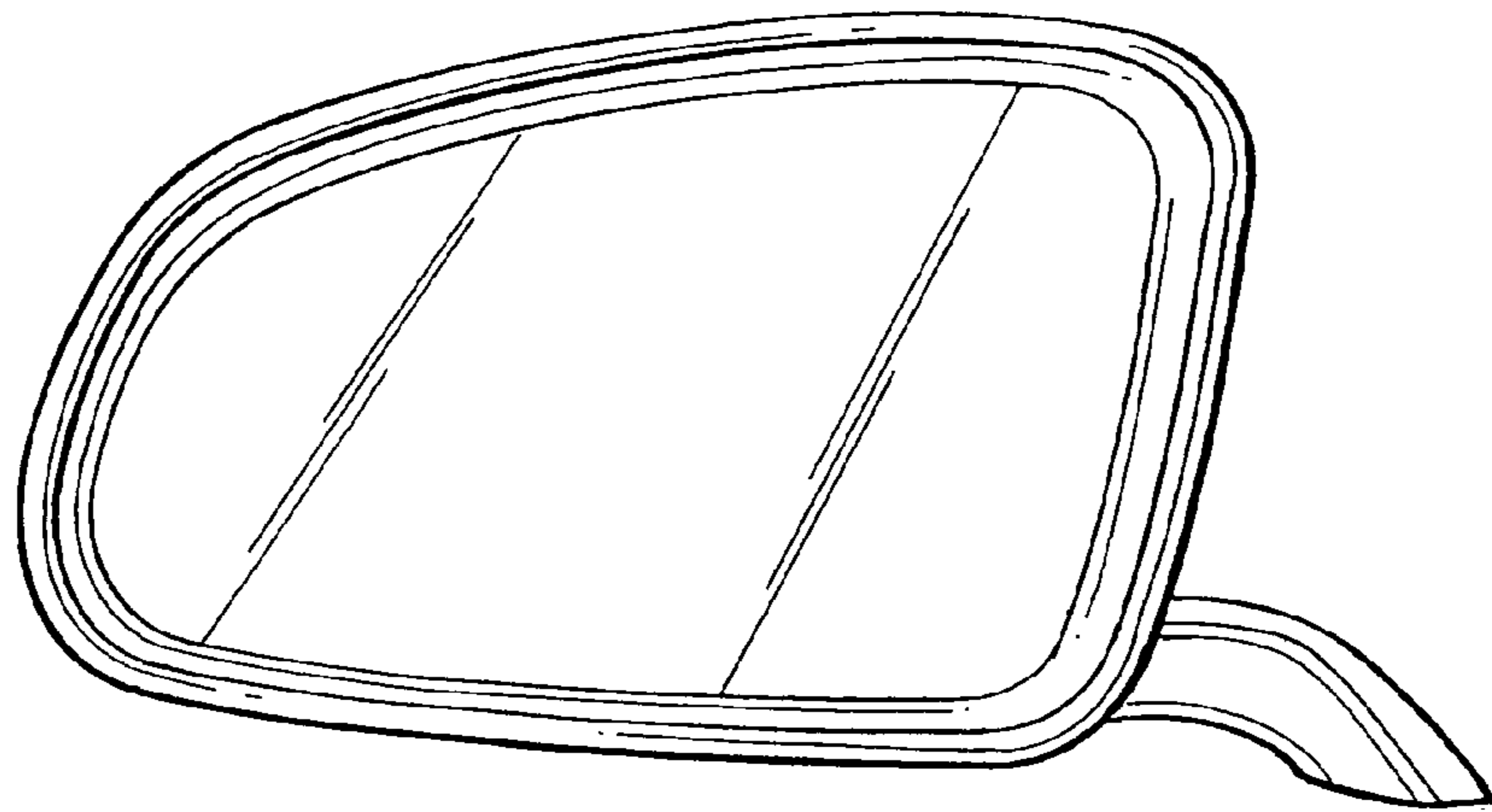


FIG. 3

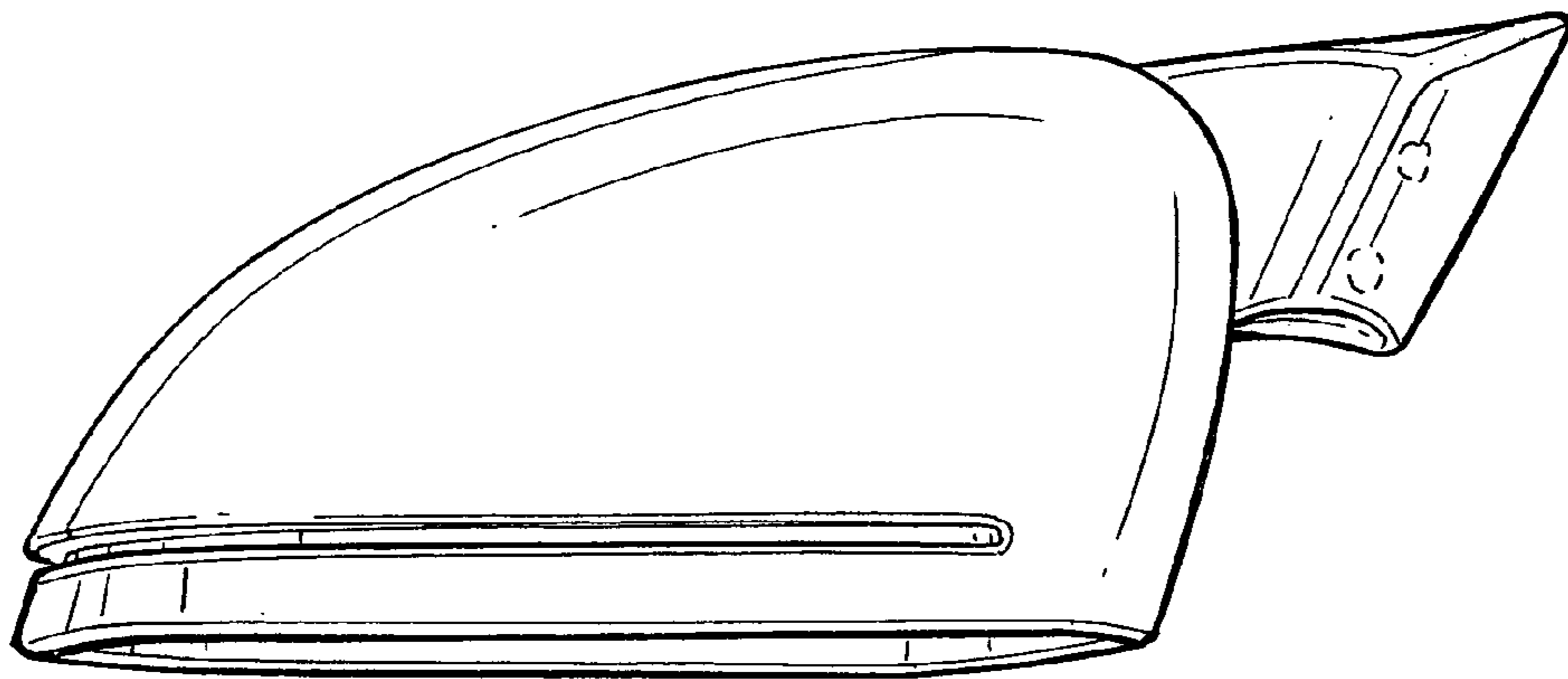


FIG. 4

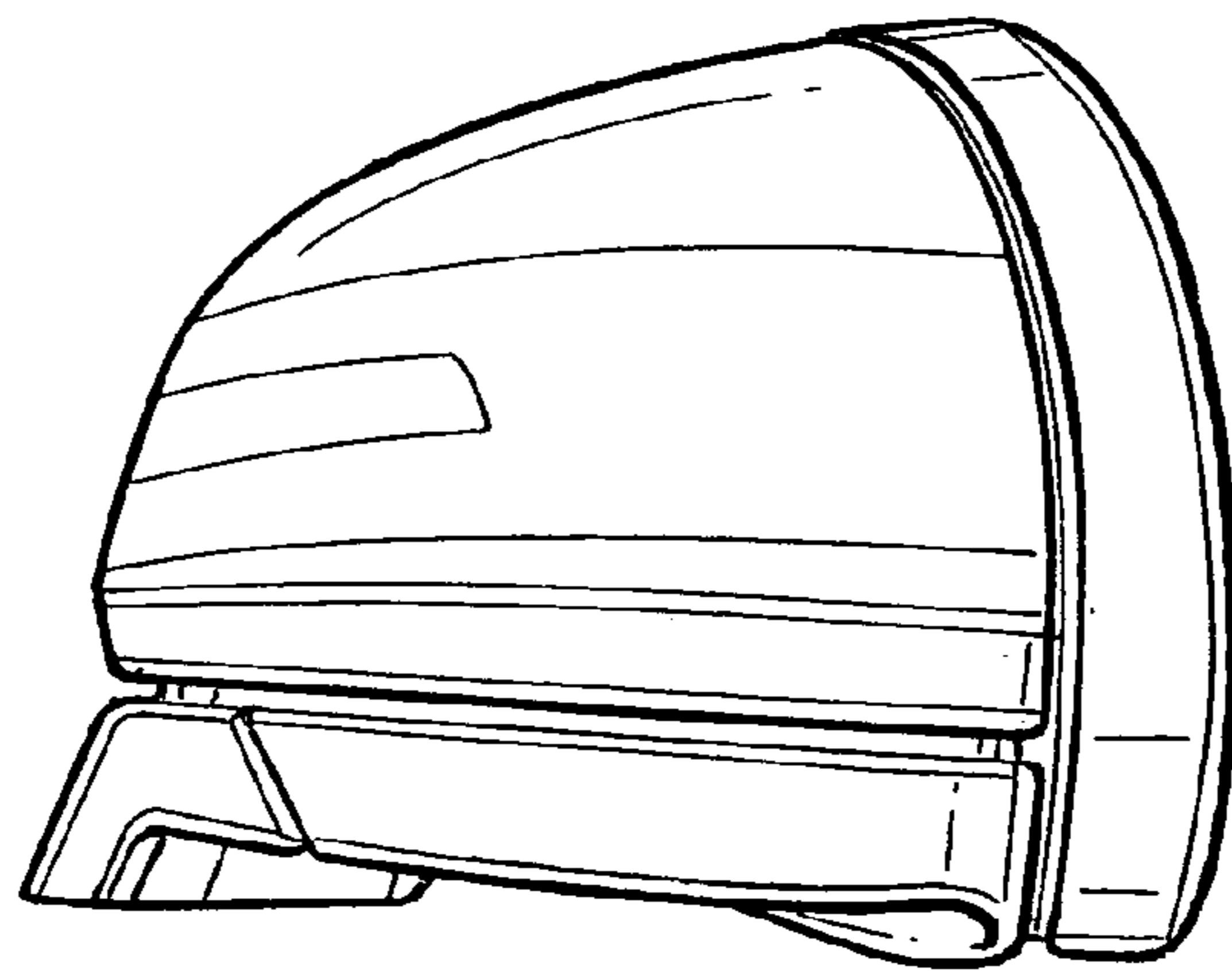


FIG. 5

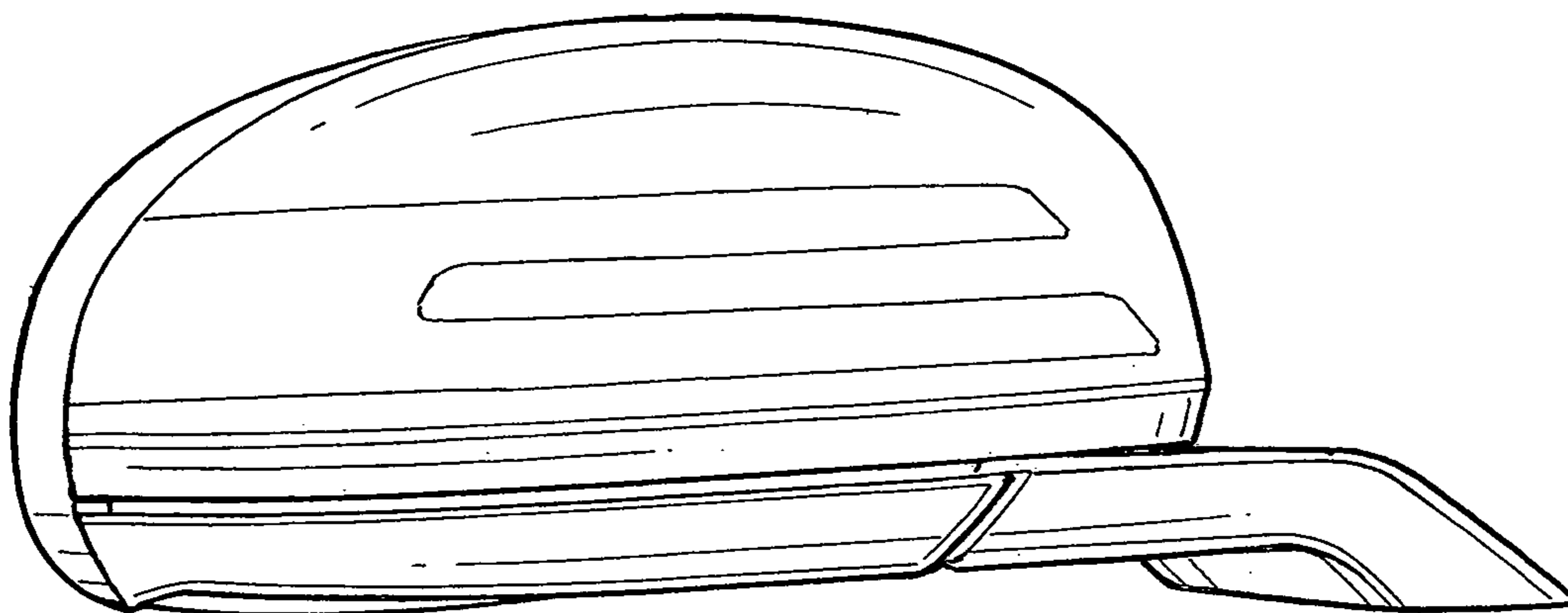


FIG. 6

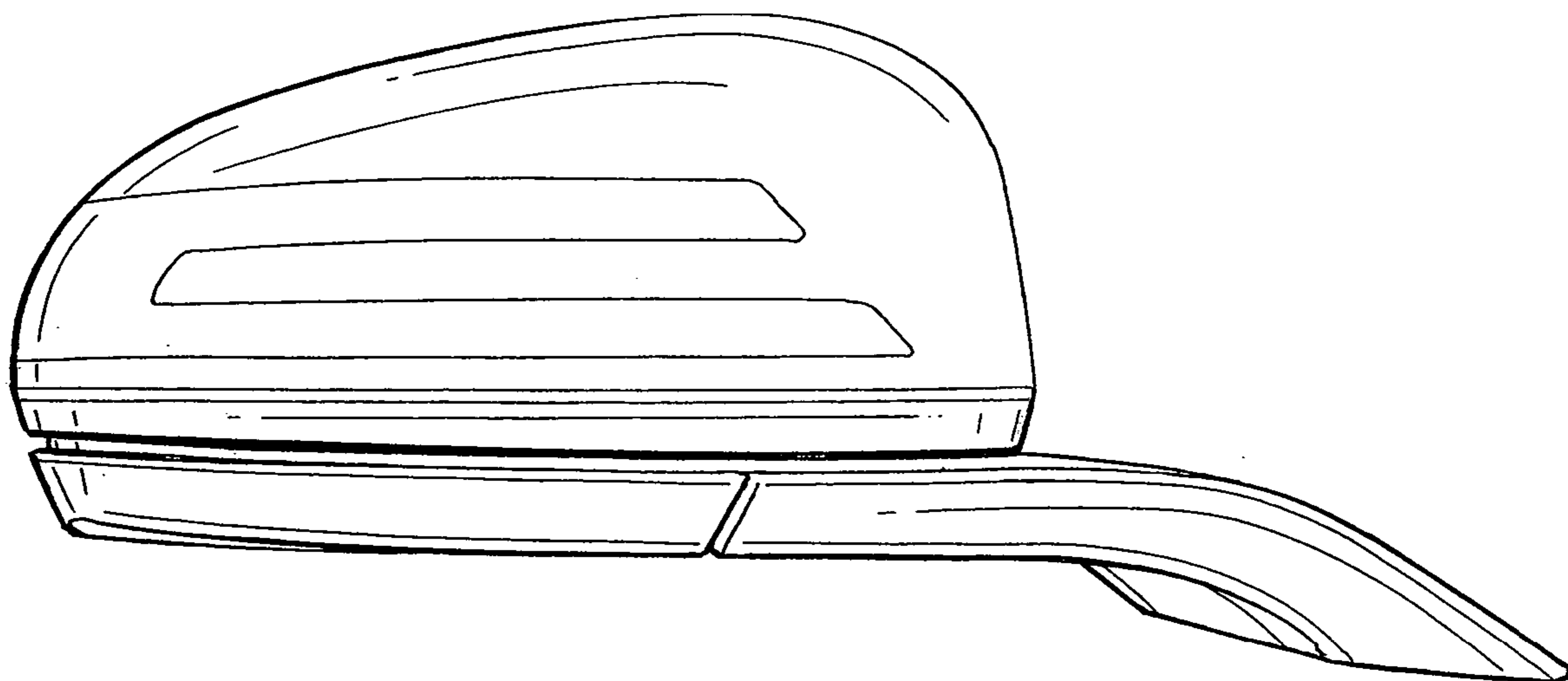


FIG. 7

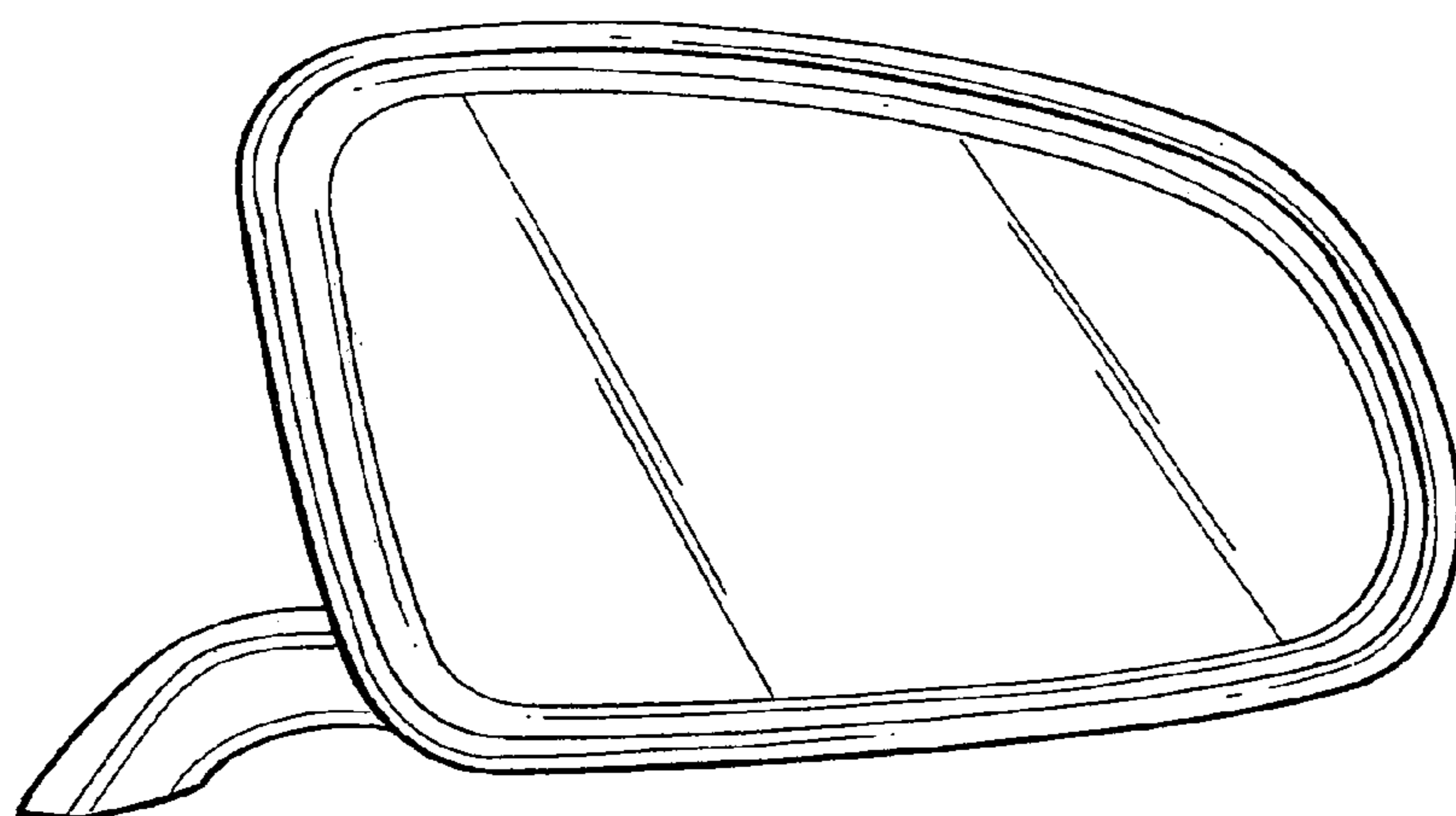


FIG. 8

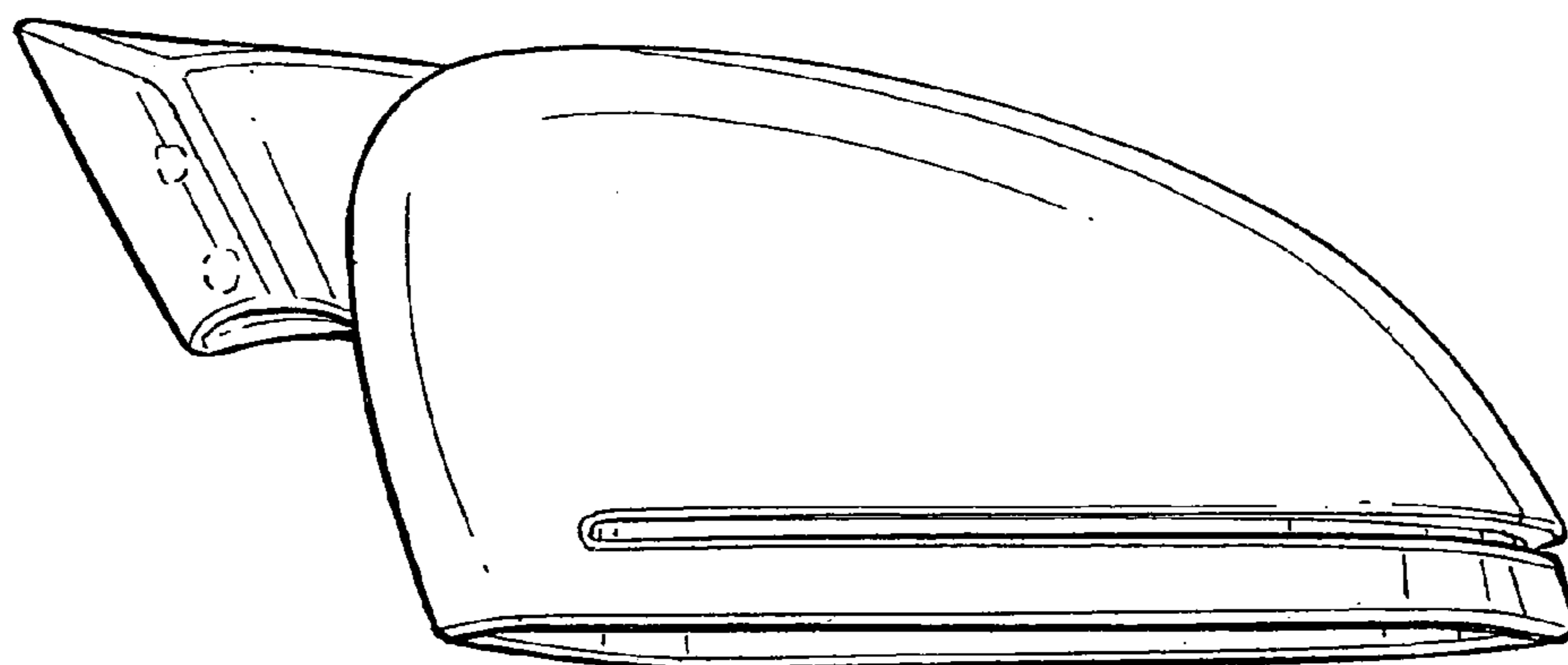


FIG. 9

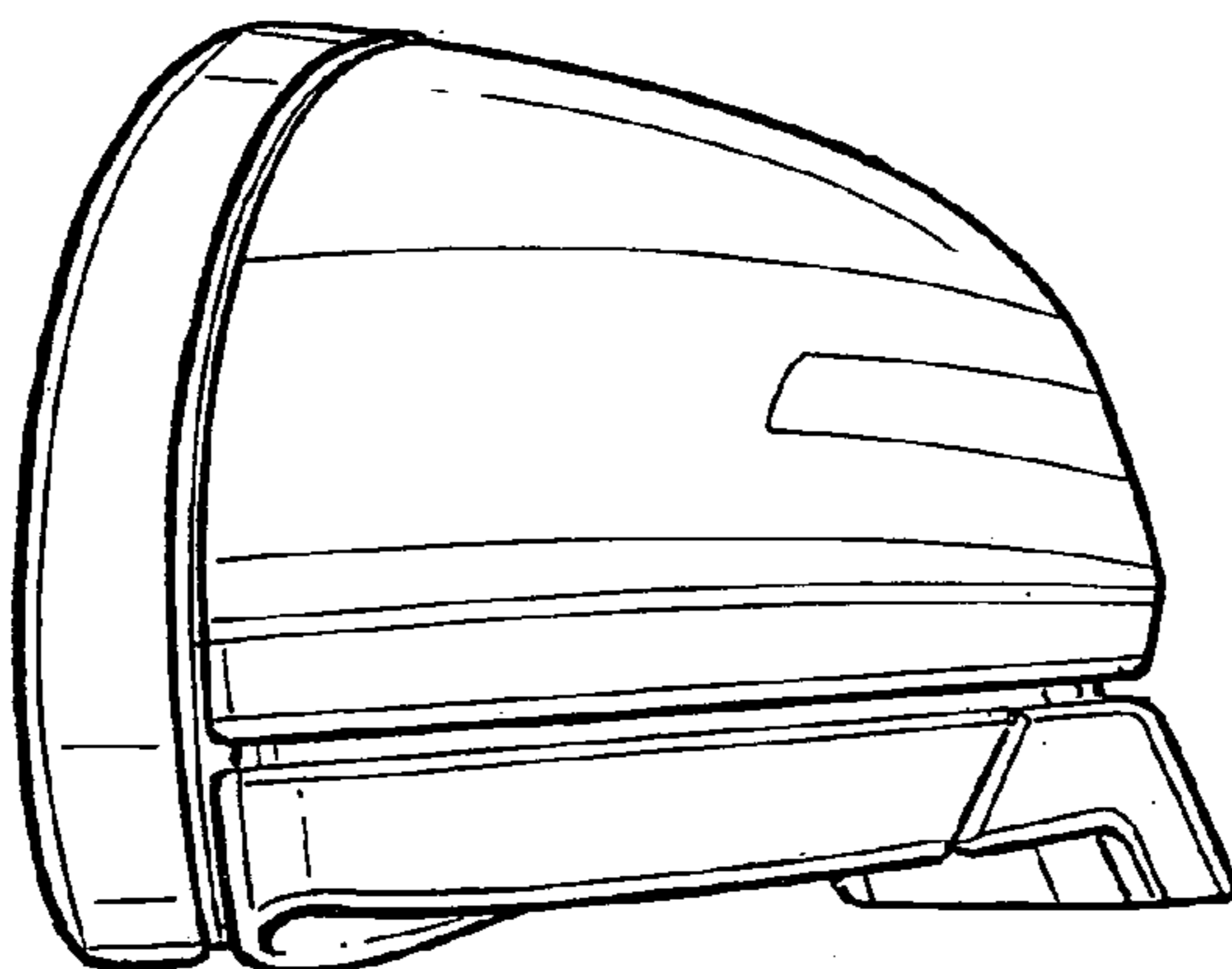


FIG. 10