



US00D612309S

(12) **United States Design Patent**
Beigel et al.

(10) **Patent No.:** **US D612,309 S**
(45) **Date of Patent:** **** Mar. 23, 2010**

(54) **FENDER EXTENSION OF A TRUCK
VEHICLE**

(75) Inventors: **David J. Beigel**, Payne, OH (US);
Marcey K. Collins, Fort Wayne, IN
(US); **Vikas Deshmukh**, Kasarwadi
(IN); **Andrew J. Krum**, Fort Wayne, IN
(US); **William Ratliff**, Commerce
Township, MI (US); **Ronald E. Schoon**,
Fort Wayne, MI (US); **Anthony Lynn
Schroeder**, Leo, IN (US); **Jaimi Smith**,
Lake Orion, MI (US); **Kris K.
Timmerman**, Huntertown, IN (US);
Robert Scott Tirey, Fort Wayne, IN
(US); **Bruce Youngs**, Novi, MI (US);
Dale Beever, Laguna Nigel, CA (US)

(73) Assignee: **Mahindra Navistar Automotives
Limited** (IN)

(**) Term: **14 Years**

(21) Appl. No.: **29/342,545**

(22) Filed: **Aug. 27, 2009**

(51) **LOC (9) Cl.** **12-16**

(52) **U.S. Cl.** **D12/184; D12/85**

(58) **Field of Classification Search** D12/184,
D12/196, 90-92, 185; 280/152.1, 847-849,
280/851; 296/181.1, 181.5

See application file for complete search history.

(56) **References Cited**

U.S. PATENT DOCUMENTS

D253,764 S * 12/1979 Lockwood et al. D12/185

D281,966 S * 12/1985 Lockwood D12/185
D303,237 S * 9/1989 Hawes et al. D12/185
D340,022 S * 10/1993 Lawrence D12/184
D340,214 S * 10/1993 Lawrence D12/184
D406,087 S * 2/1999 Bavington et al. D12/185
D453,490 S * 2/2002 Conway D12/185
D455,688 S * 4/2002 Conway D12/185
D482,993 S * 12/2003 Conway et al. D12/184
D524,204 S * 7/2006 Beigel D12/184
D563,853 S * 3/2008 Rosen et al. D12/184

* cited by examiner

Primary Examiner—Melody N Brown

(74) *Attorney, Agent, or Firm*—Jeffrey P. Calfa; Mark C.
Bach; Gerald W. Askew

(57) **CLAIM**

The ornamental design for a fender extension of a truck
vehicle, as shown and described.

DESCRIPTION

FIG. 1 is a right, front perspective view of a fender extension
of a truck vehicle showing our new design;

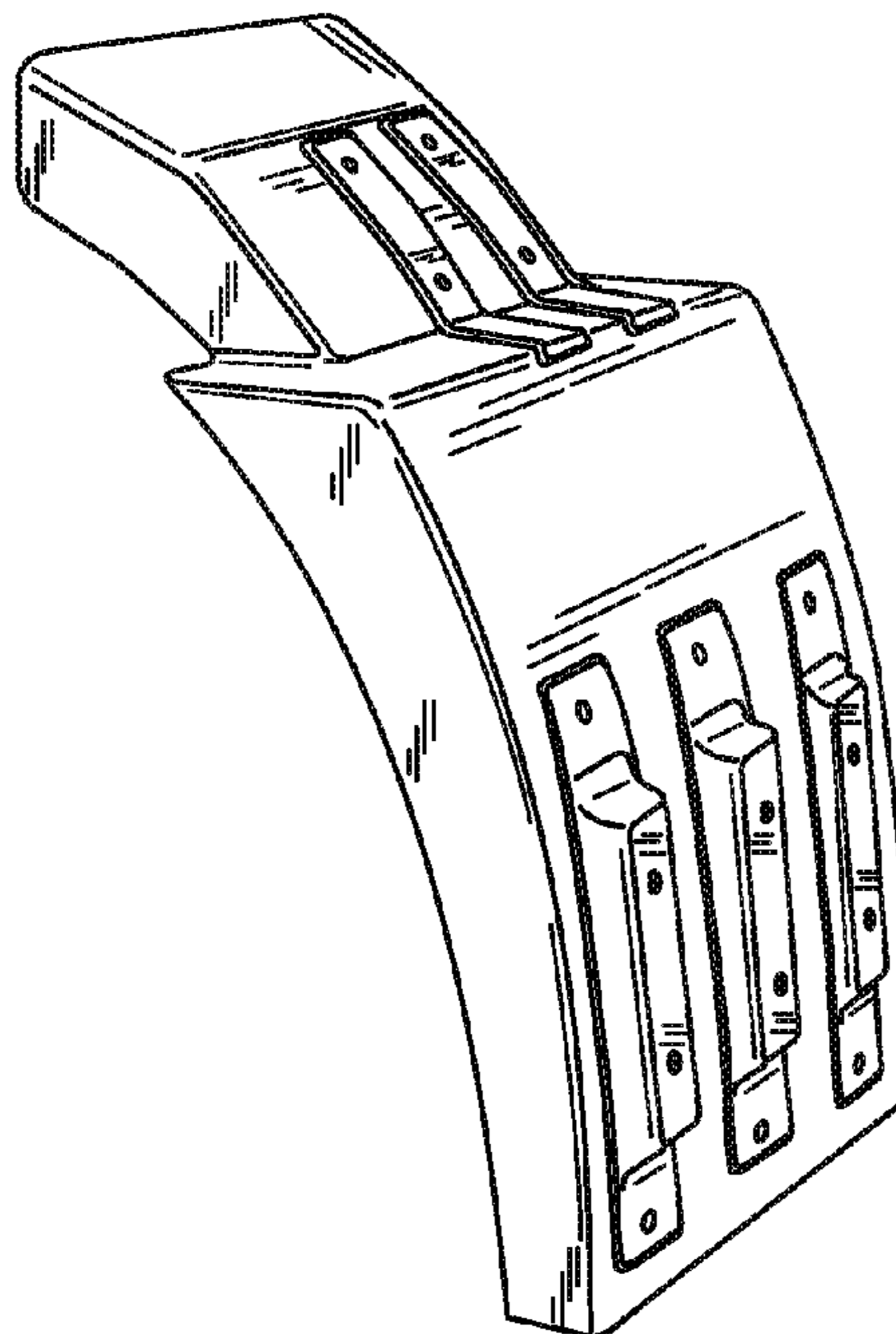
FIG. 2 is a top view thereof;

FIG. 3 is a right view thereof;

FIG. 4 is a left view thereof; and,

FIG. 5 is a front view thereof.

1 Claim, 2 Drawing Sheets



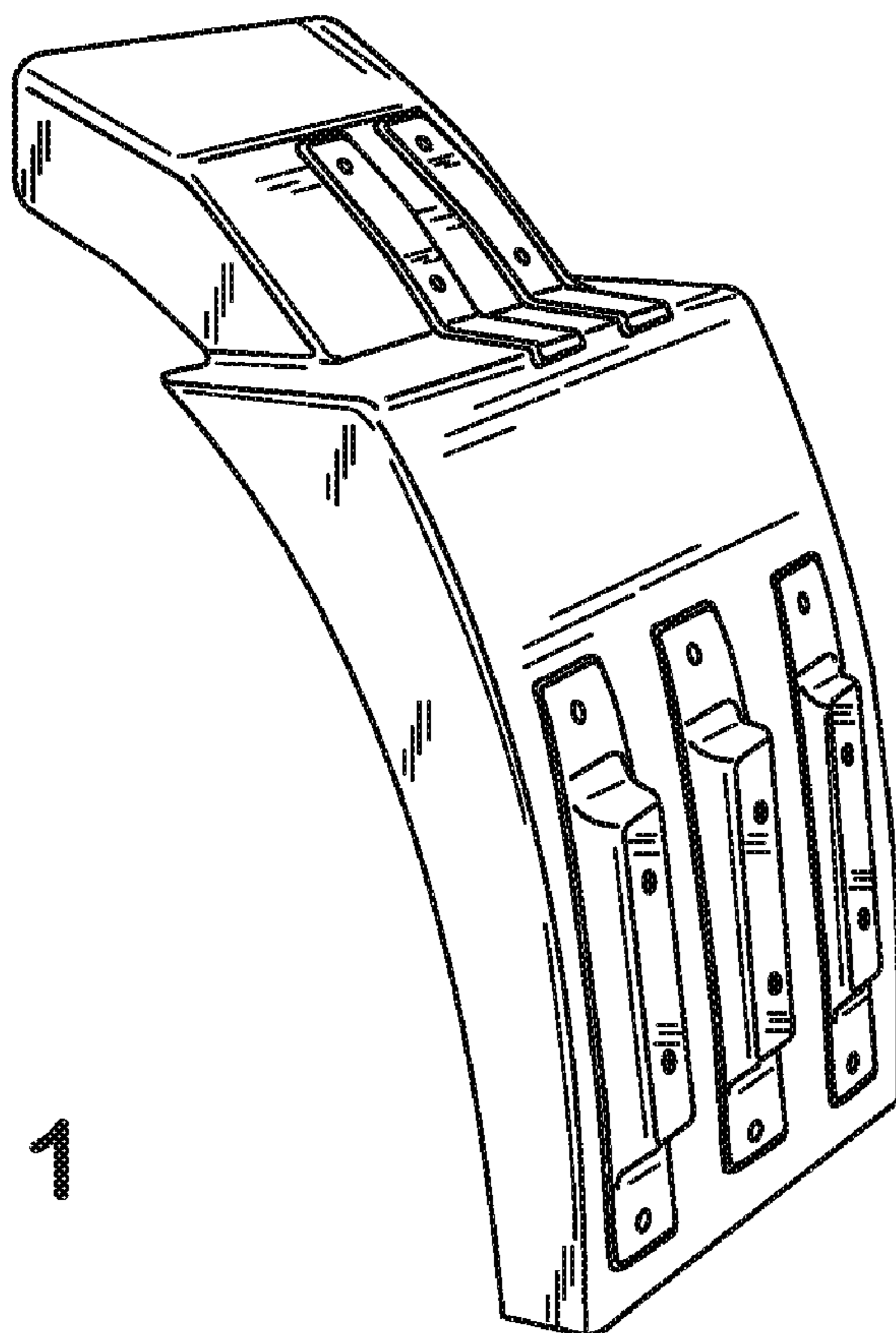


FIG. 1

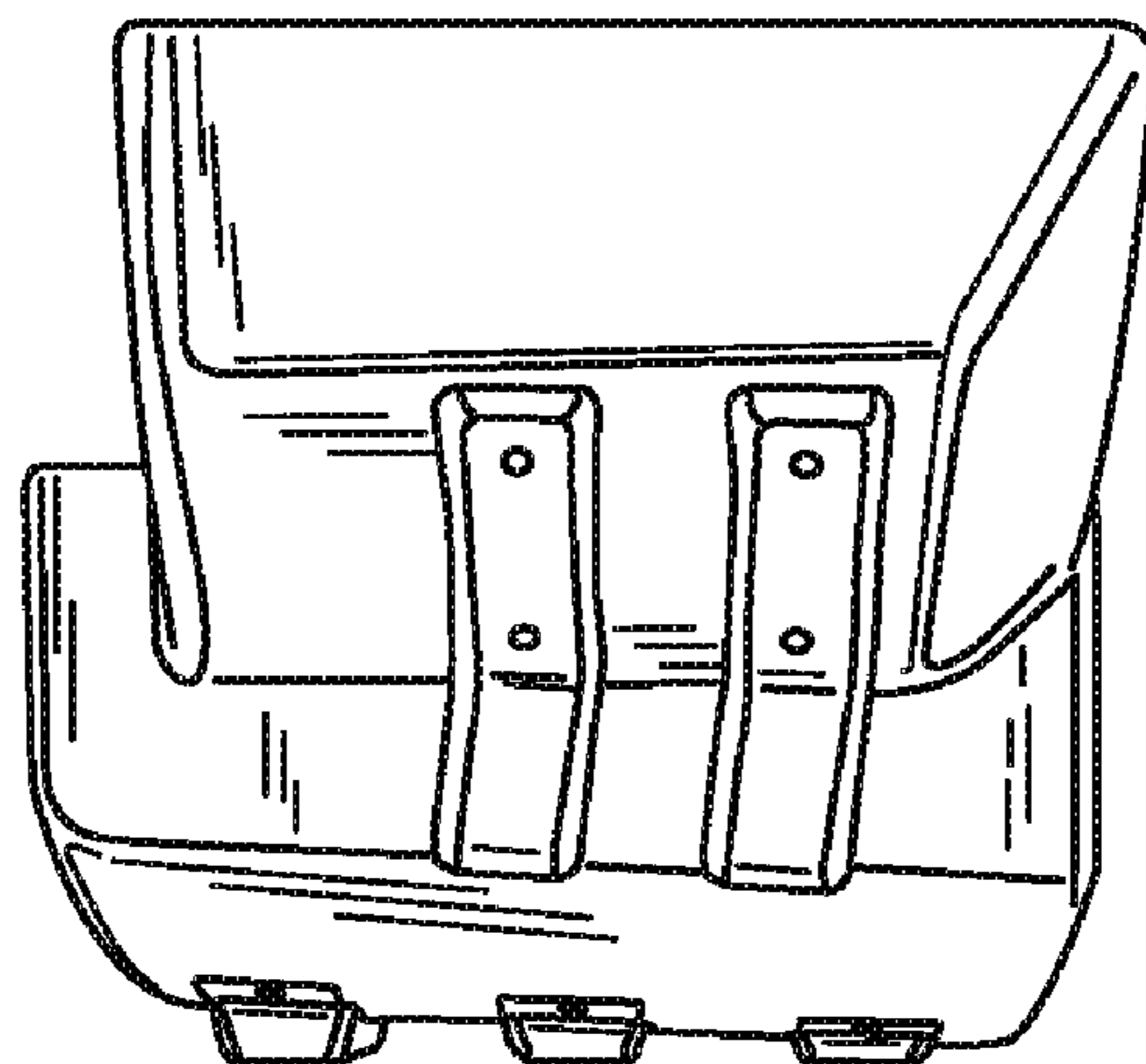


FIG. 2

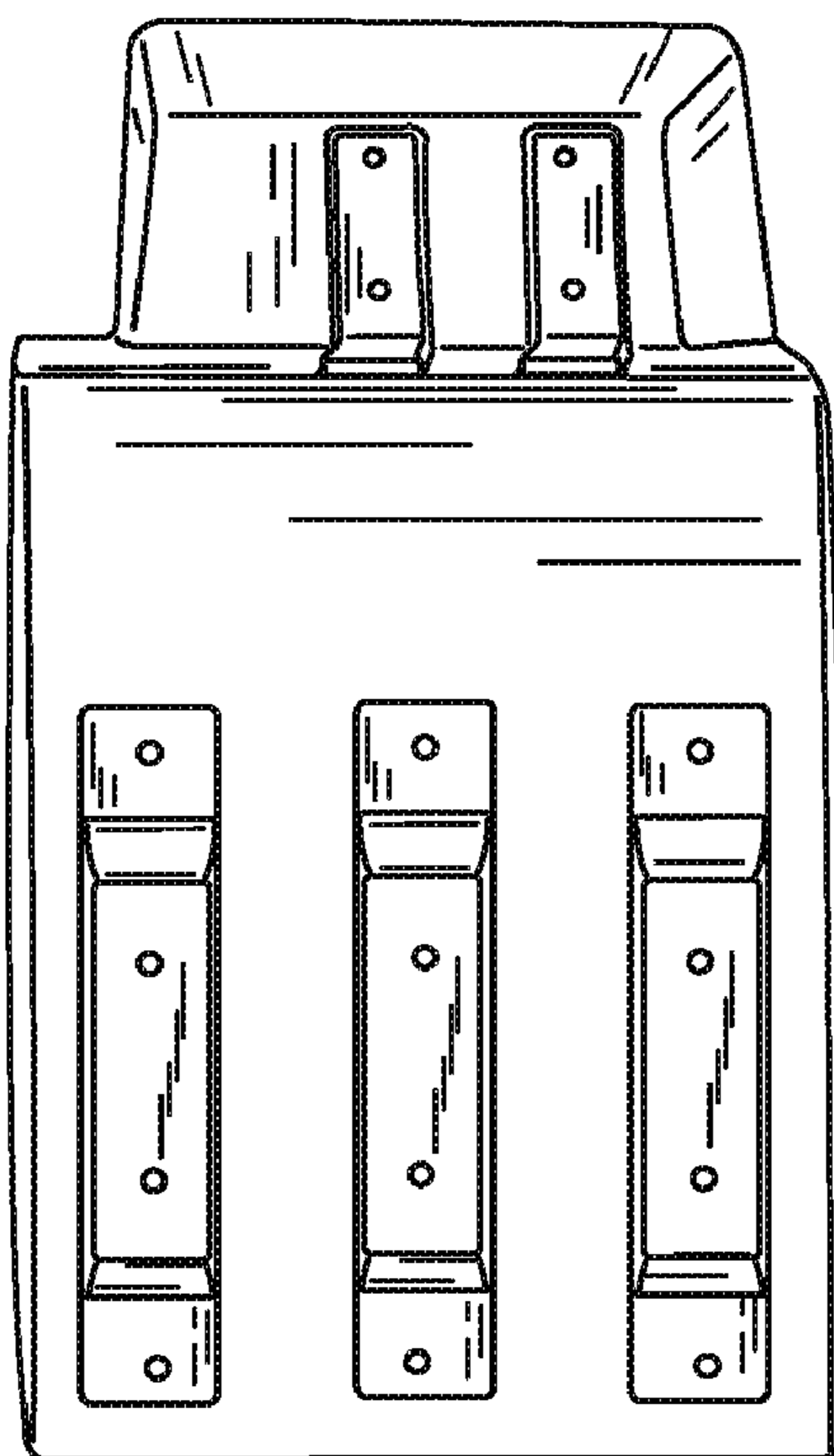
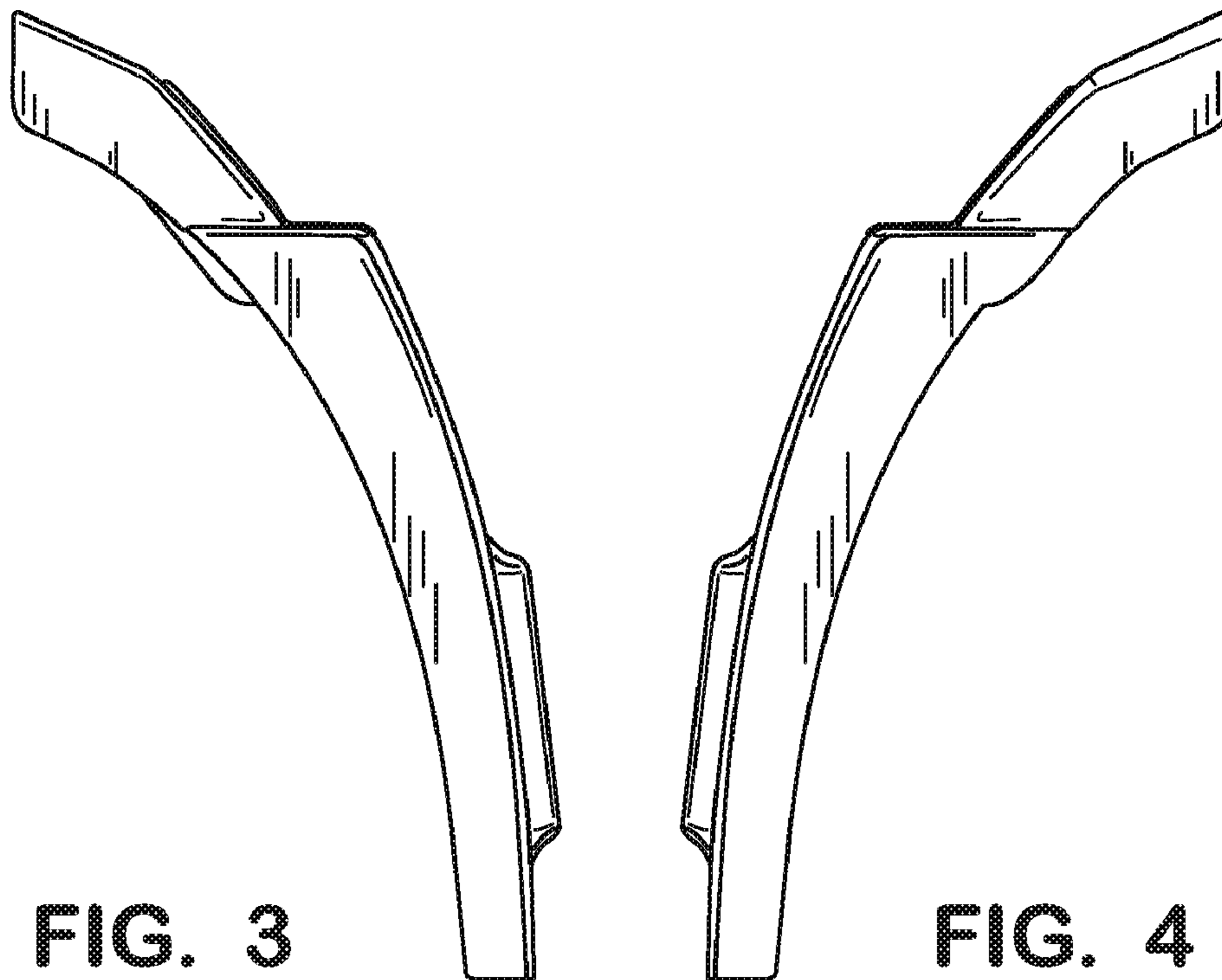


FIG. 5