



US00D612303S

(12) **United States Design Patent**  
**Carlton et al.**

(10) **Patent No.:** **US D612,303 S**  
(45) **Date of Patent:** **\*\* Mar. 23, 2010**

(54) **SCOOTER**

(75) Inventors: **Robert A. Carlton**, Ringgold, GA (US);  
**Charles J. Martis**, Harding, PA (US)

(73) Assignee: **Pride Mobility Products Corporation**,  
Exeter, PA (US)

(\*\*) Term: **14 Years**

(21) Appl. No.: **29/326,219**

(22) Filed: **Oct. 14, 2008**

(51) **LOC (9) Cl.** ..... **12-12**

(52) **U.S. Cl.** ..... **D12/133; D12/128**

(58) **Field of Classification Search** ..... D12/128-133;  
D21/433; D34/12, 27, 30; 280/62, 647-650,  
280/29, 200, 47.38, 250.1, 259, 642, 658;  
296/65.03, 65.04; 297/DIG. 4; 135/65-67,  
135/74

See application file for complete search history.

(56) **References Cited**

**U.S. PATENT DOCUMENTS**

- D275,379 S \* 9/1984 Wenzel ..... D12/85
- D396,834 S \* 8/1998 Wu ..... D12/131
- D479,496 S \* 9/2003 Tsai et al. .... D12/128
- D489,296 S \* 5/2004 Tsai ..... D12/131
- D490,029 S \* 5/2004 Chao ..... D12/131
- D490,753 S \* 6/2004 Tsai ..... D12/128
- D494,512 S \* 8/2004 Cheng ..... D12/131

- D508,664 S \* 8/2005 Armstrong et al. .... D12/128
- D509,774 S \* 9/2005 Chen ..... D12/131
- D511,720 S \* 11/2005 Chen ..... D12/128
- D517,456 S \* 3/2006 Wu et al. .... D12/131
- D530,650 S \* 10/2006 Azuma et al. .... D12/131
- D536,283 S \* 2/2007 Cartellone et al. .... D12/131

\* cited by examiner

*Primary Examiner*—Charles A Rademaker

*Assistant Examiner*—Charles D Hanson

(74) *Attorney, Agent, or Firm*—Woodcock Washburn LLP

(57) **CLAIM**

We claim the ornamental design for a scooter, as shown and described.

**DESCRIPTION**

FIG. 1 is a front perspective view of a scooter according to our design.

FIG. 2 is a back perspective view thereof.

FIG. 3 is a front view thereof.

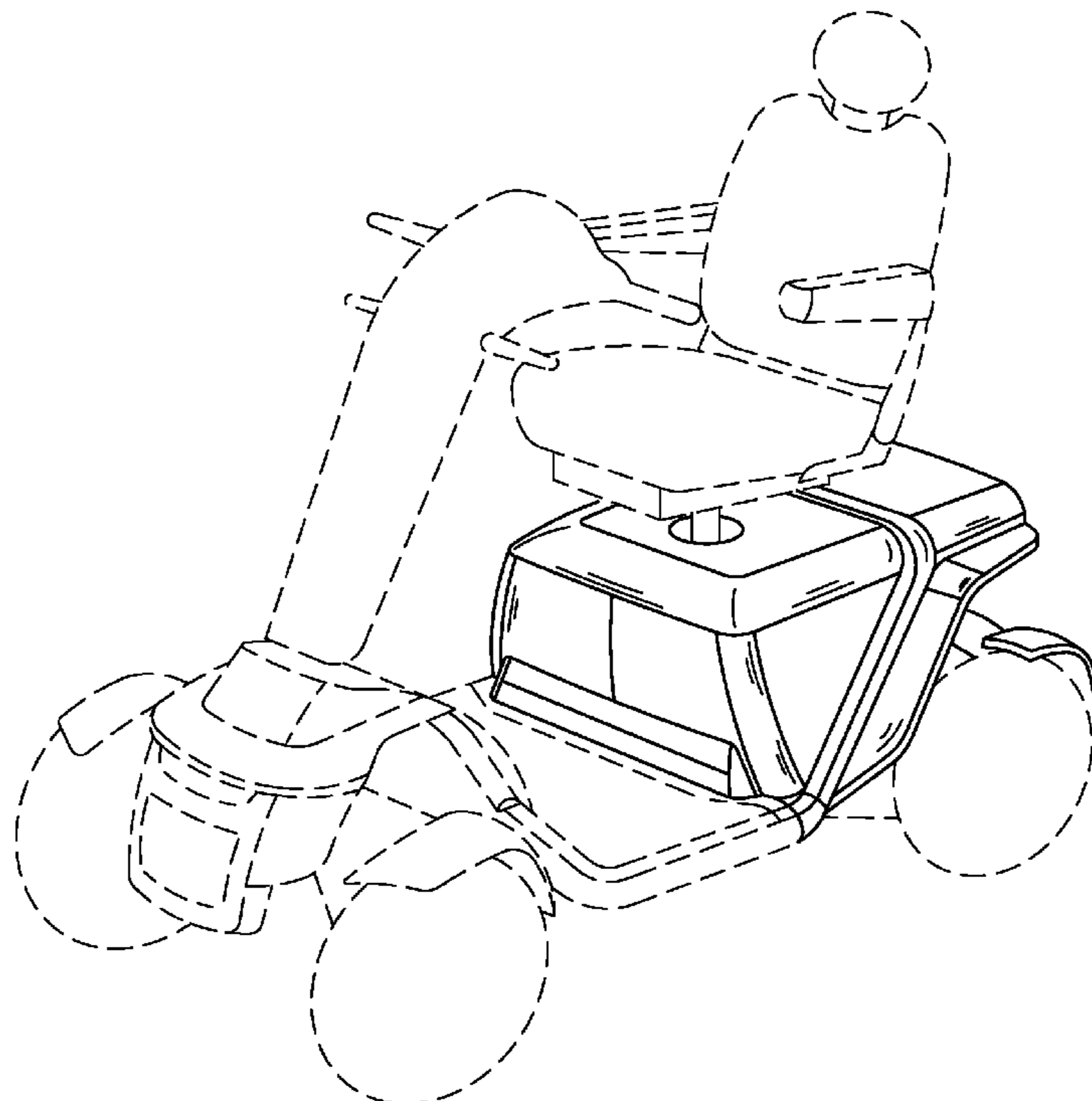
FIG. 4 is a back view thereof.

FIG. 5 is a left side view thereof; and,

FIG. 6 is a top view thereof.

The portions of the drawings appearing in broken line are for environment only and do not form a part of the claimed design.

**1 Claim, 6 Drawing Sheets**



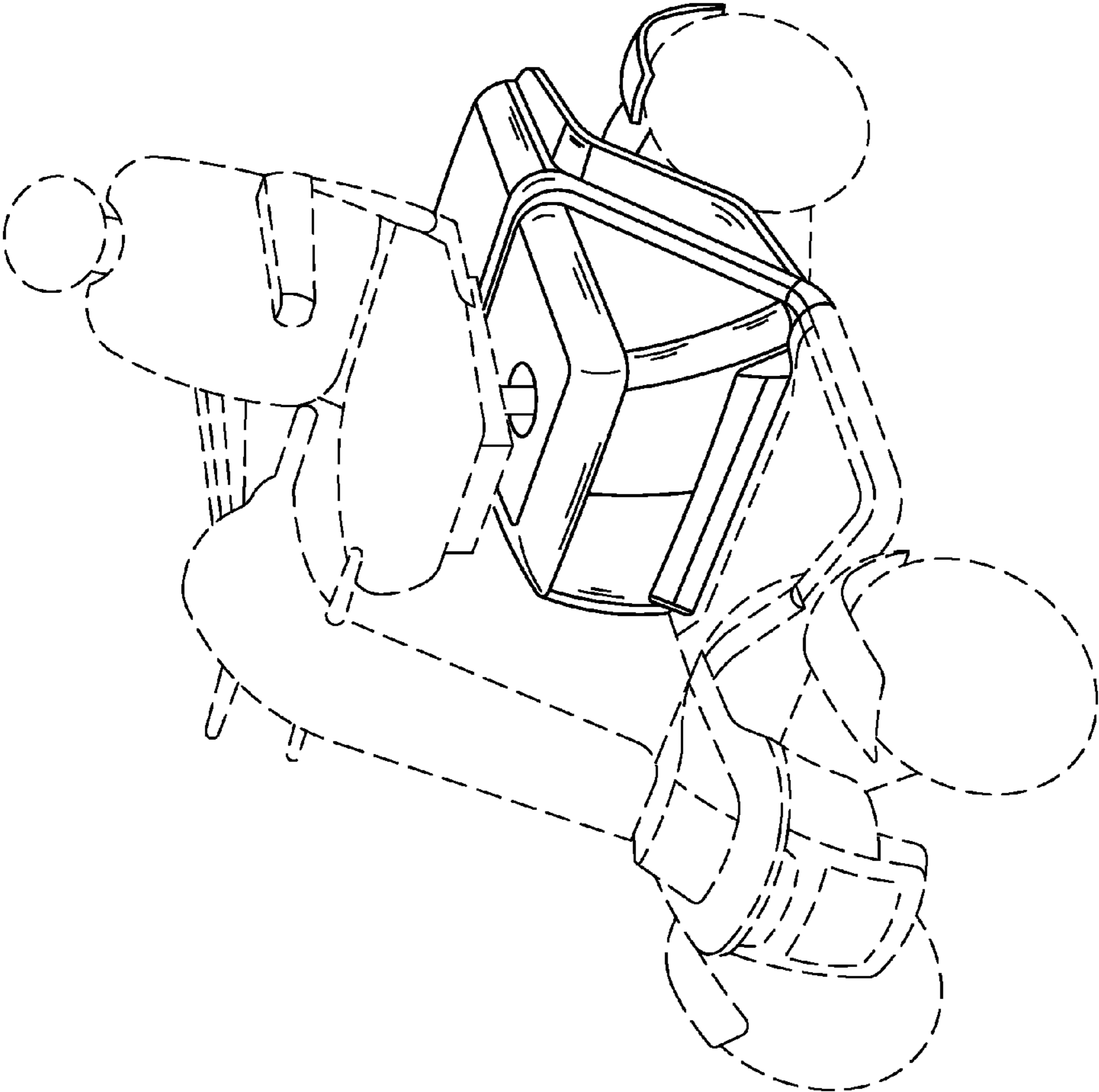


FIG. 1

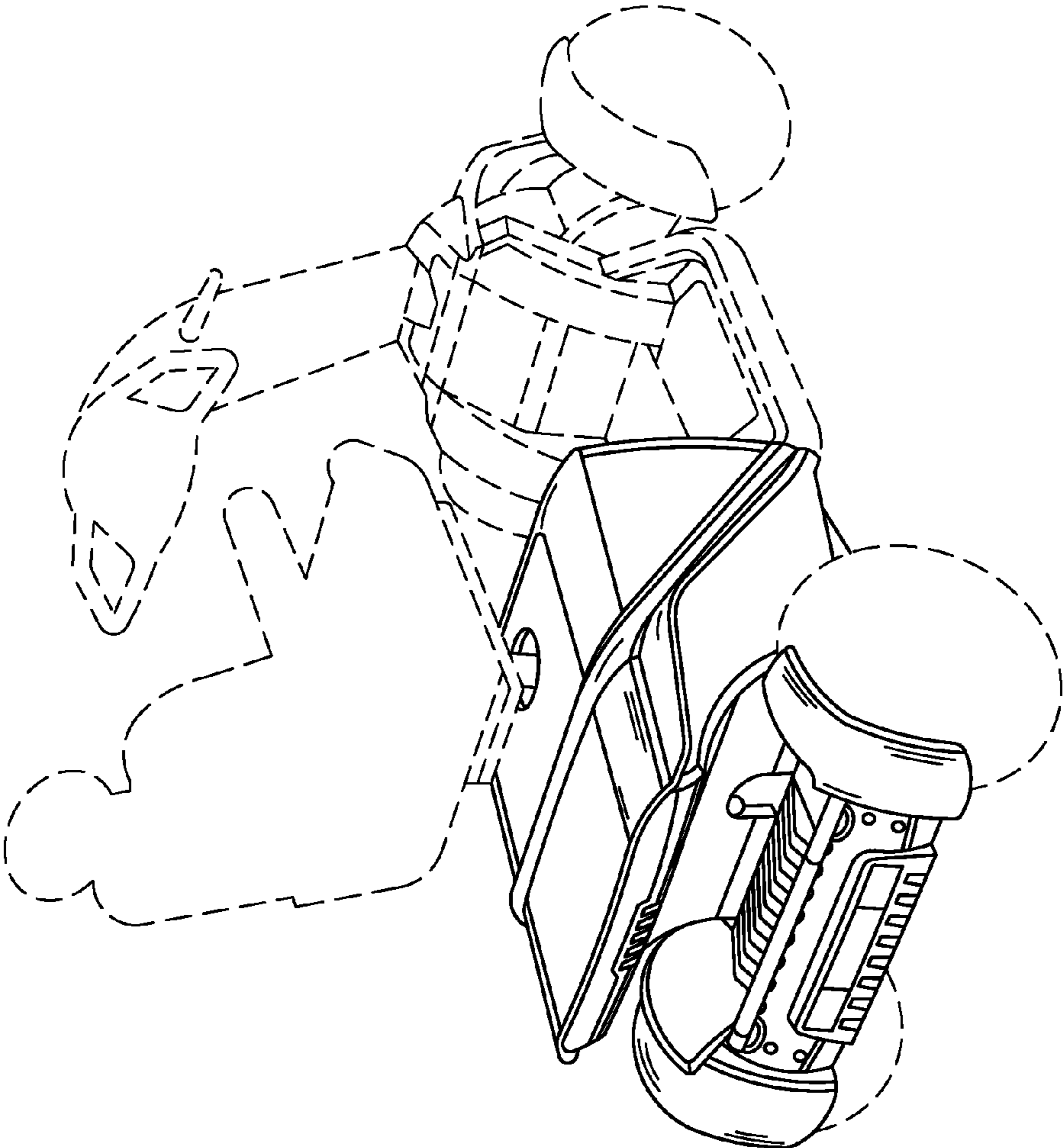


FIG. 2

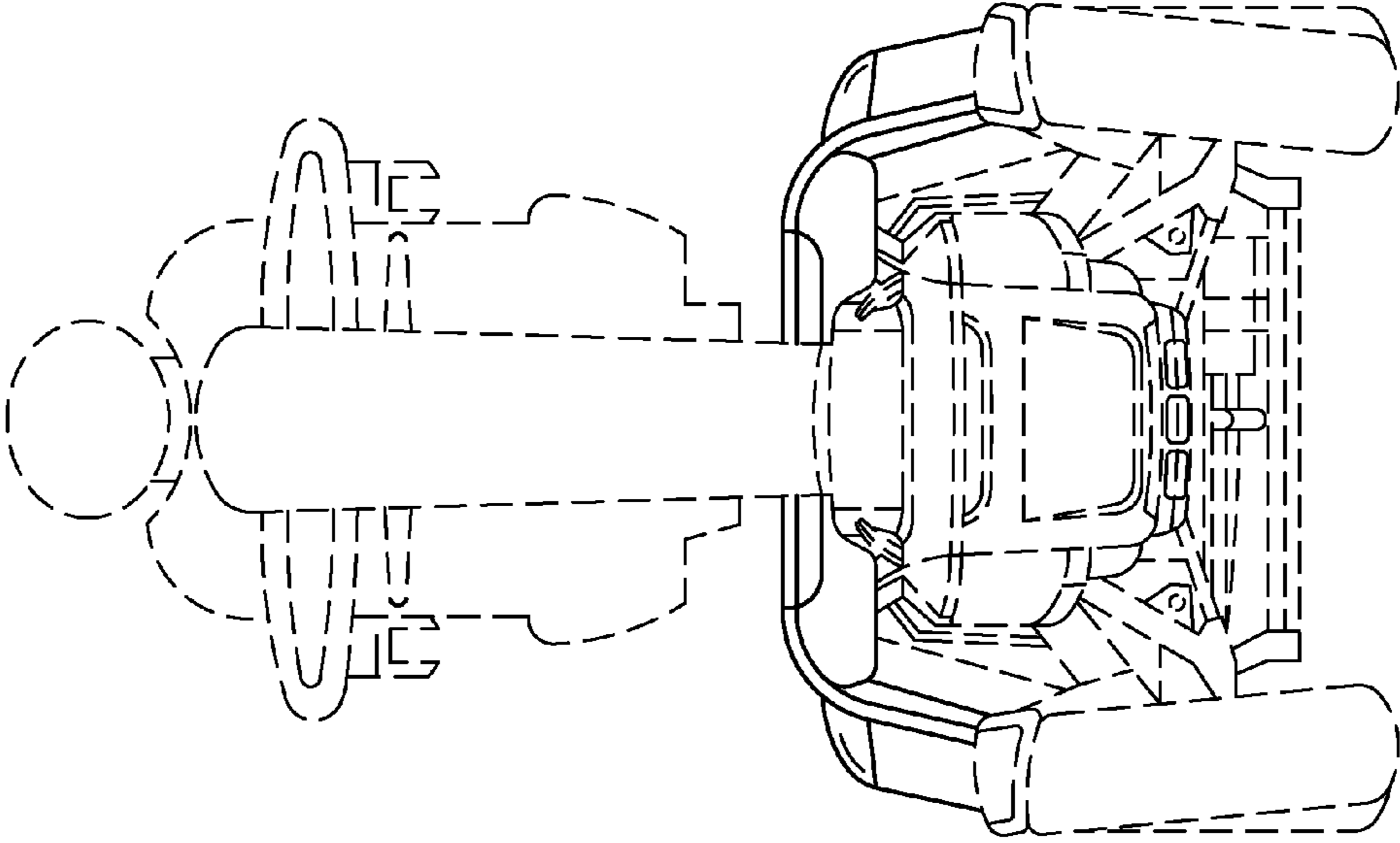


FIG. 3

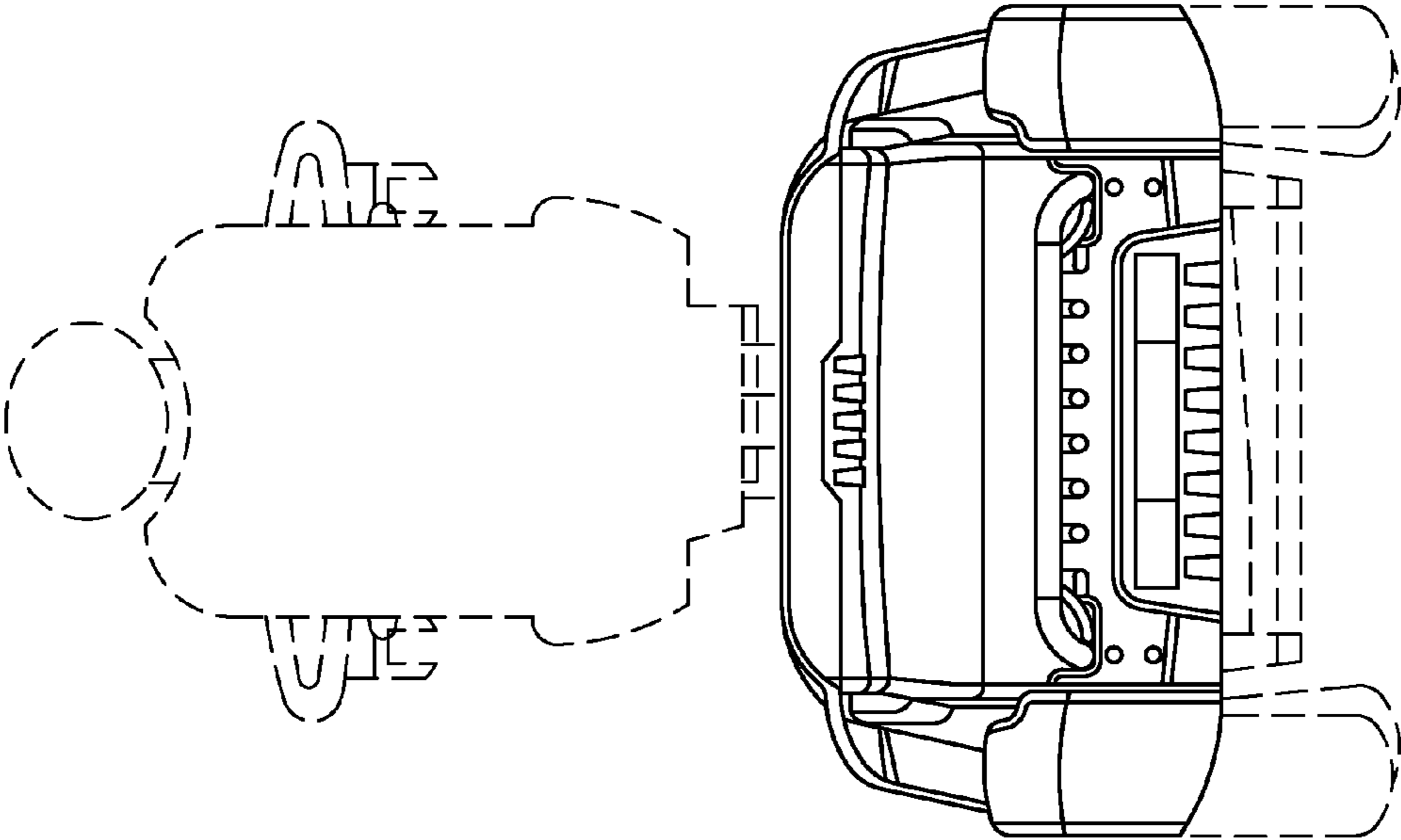


FIG. 4

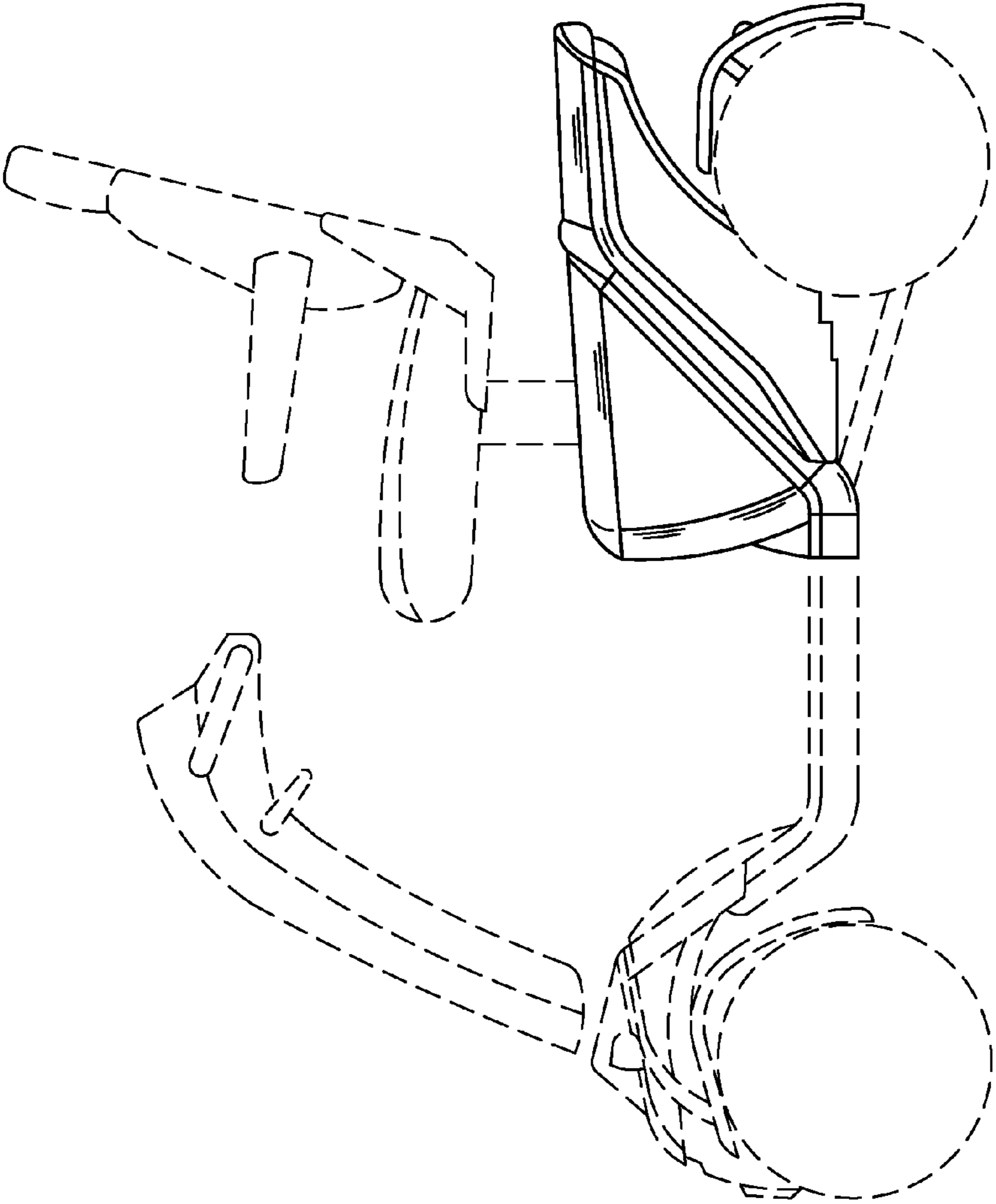


FIG. 5

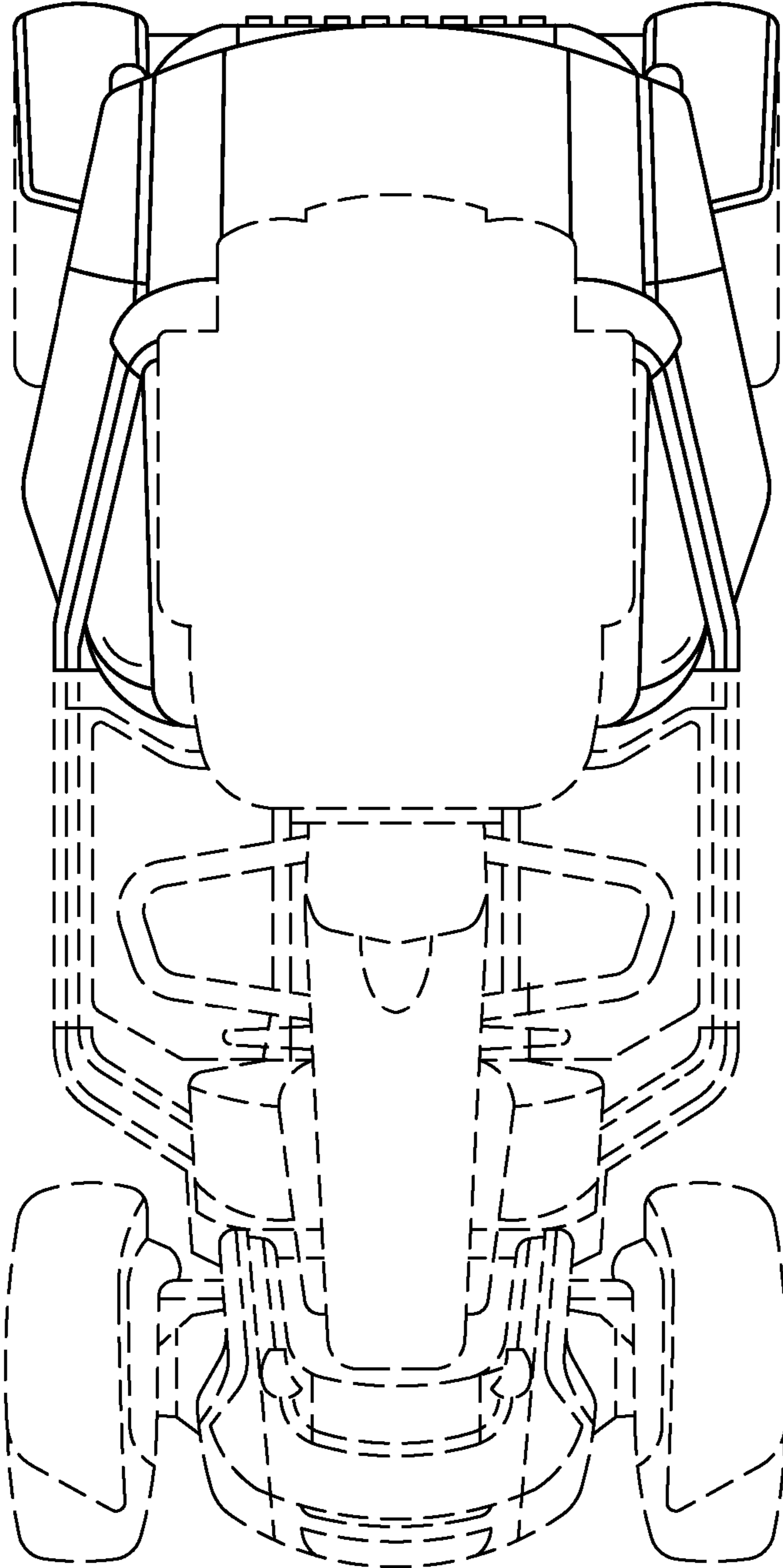


FIG. 6