



US00D612301S

(12) **United States Design Patent**
Porter et al.

(10) **Patent No.:** **US D612,301 S**
(45) **Date of Patent:** **** Mar. 23, 2010**

(54) **BICYCLE RACK**

6,223,907 B1 5/2001 Graber
D566,628 S * 4/2008 Steward D12/115

(75) Inventors: **William H. Porter**, Saugatuck, MI (US);
Christopher J. Kreple, Holland, MI (US)

OTHER PUBLICATIONS

(73) Assignee: **PorterCorp**, Holland, MI (US)

Exhibit A is a prior art inverted-cone-type bicycle rack, maker unknown.

(**) Term: **14 Years**

Exhibit B is a prior art coil-type bicycle rack, maker unknown.

(21) Appl. No.: **29/302,181**

Exhibit C is a prior art coil-type with inverted end support bicycle rack, maker unknown.

(22) Filed: **Jan. 11, 2008**

Exhibit D is a prior art inverted slit-U-type support bicycle rack, maker unknown.

(51) **LOC (9) Cl.** **12-11**

Exhibit E is a prior art double loop-type bicycle rack, maker unknown.

(52) **U.S. Cl.** **D12/115**

Exhibit F is a prior art wall-mounted double U-type bicycle rack, maker unknown.

(58) **Field of Classification Search** D12/115,
D12/120; 211/5, 17-22, 24, 112, 181.1,
211/182; 248/121, 153, 302; D6/455, 458,
D6/462; 70/233-236, 15

Exhibit G is a prior art wall-forming double S-type bicycle rack, maker unknown.

See application file for complete search history.

Exhibit H is a prior art serpentine-type bicycle rack sold by New Pig Corporation.

Exhibit I is a prior art parallel vertical-bar-type bicycle rack sold by New Pig Corporation.

* cited by examiner

(56) **References Cited**

Primary Examiner—Philip S Hyder

U.S. PATENT DOCUMENTS

Assistant Examiner—Linda G. Brooks

3,355,028 A	11/1967	Mork	
3,603,459 A	9/1971	Erb	
3,827,773 A *	8/1974	Aiello	312/100
D234,924 S *	4/1975	Seiler	D12/115
3,967,425 A	7/1976	Wolverton et al.	
4,047,614 A *	9/1977	Radek	211/20
4,433,787 A *	2/1984	Cook et al.	211/5
4,830,167 A *	5/1989	Lassche	194/247
D305,010 S *	12/1989	Rankin	D12/115
5,417,629 A	5/1995	Phipps	
5,743,411 A	4/1998	Hawkes	
5,984,111 A	11/1999	Pennella	
5,992,645 A	11/1999	West	
6,164,459 A	12/2000	Liem	

(74) *Attorney, Agent, or Firm*—Price, Heneveld, Cooper, DeWitt & Litton, LLP

(57) **CLAIM**

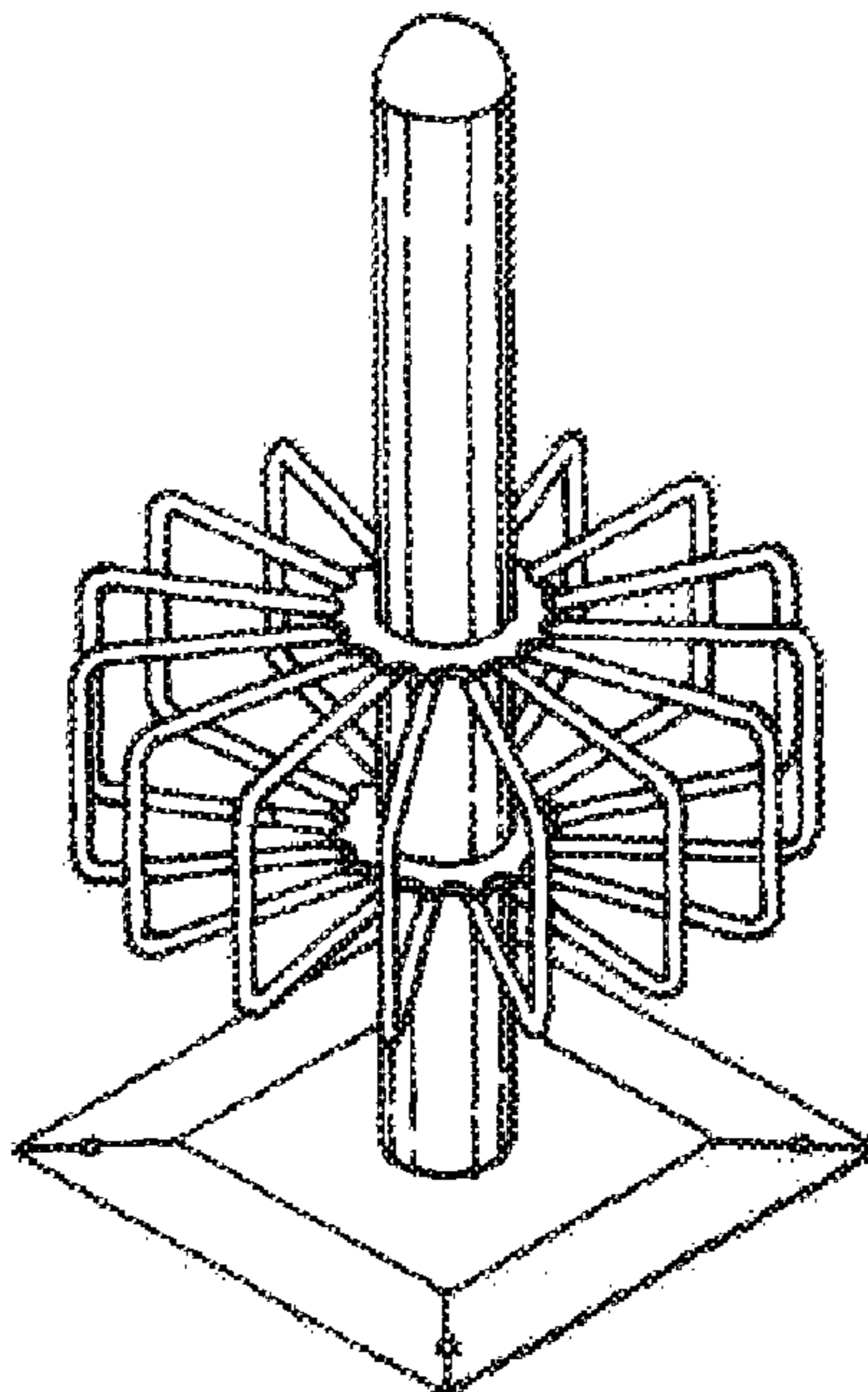
We claim the ornamental design for a bicycle rack, as shown and described.

DESCRIPTION

FIGS. 1-2 are perspective views of the present bicycle rack; and,

FIGS. 3-4 are side and top views of FIG. 1.

1 Claim, 1 Drawing Sheet



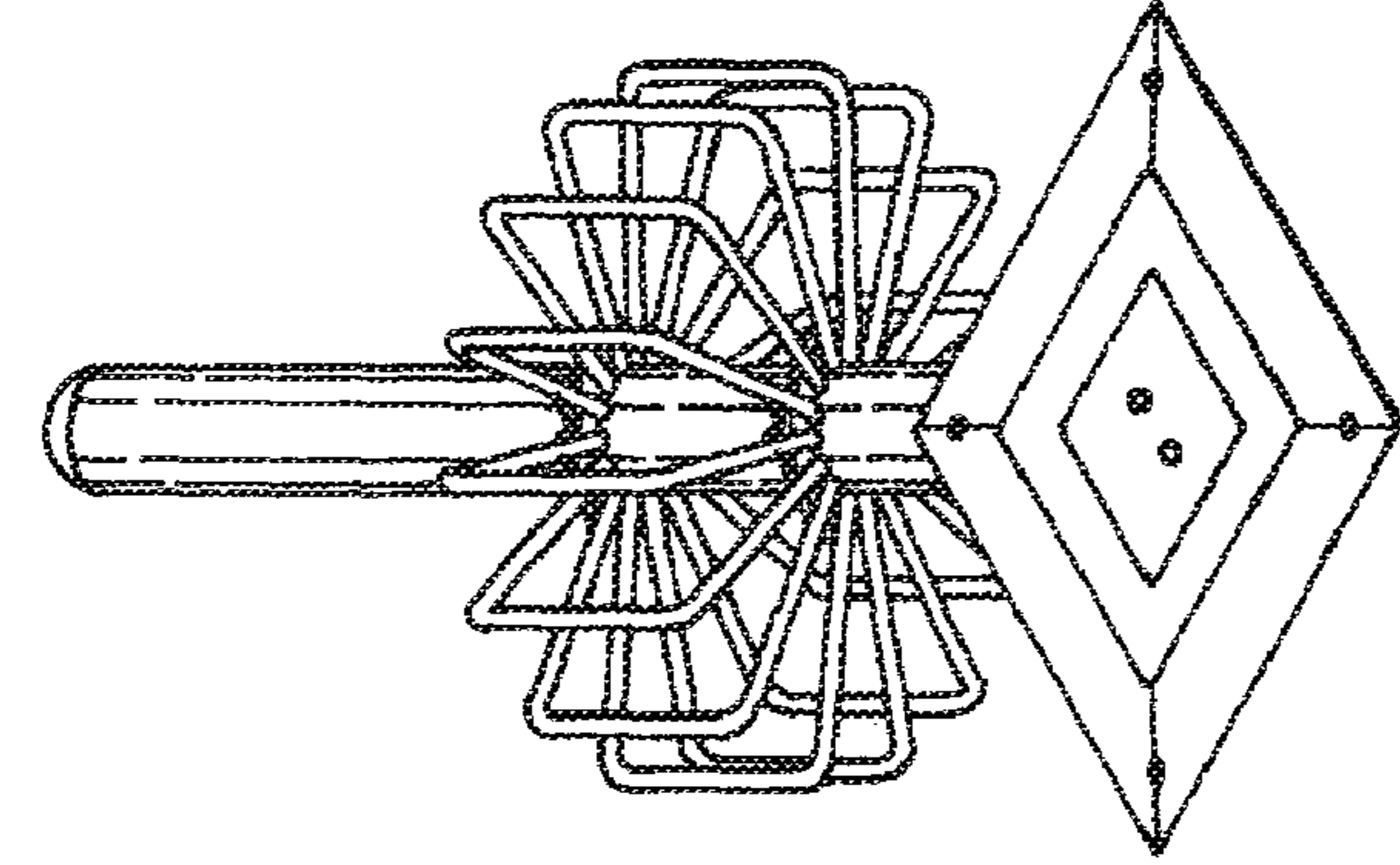


FIG. 1

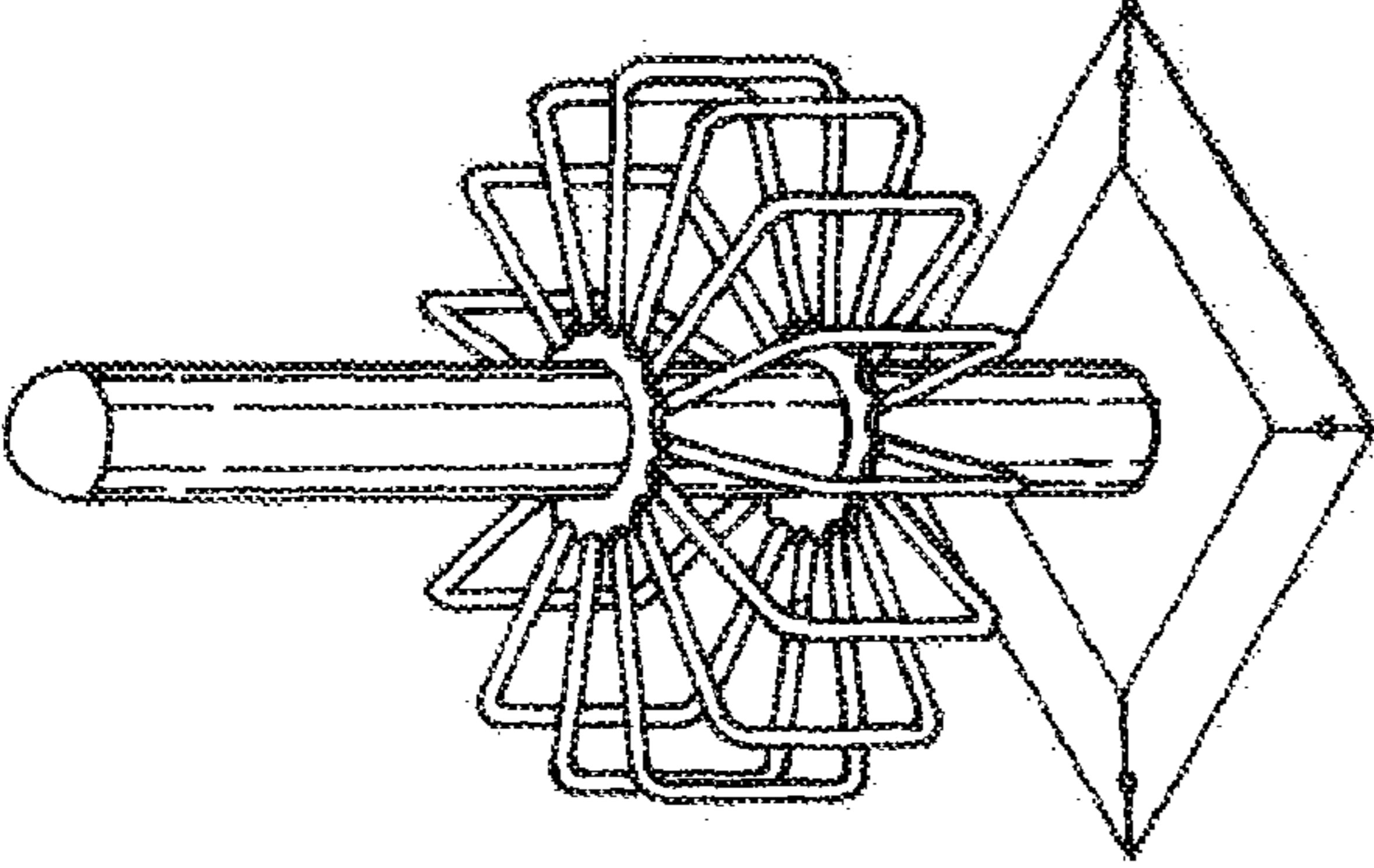


FIG. 2

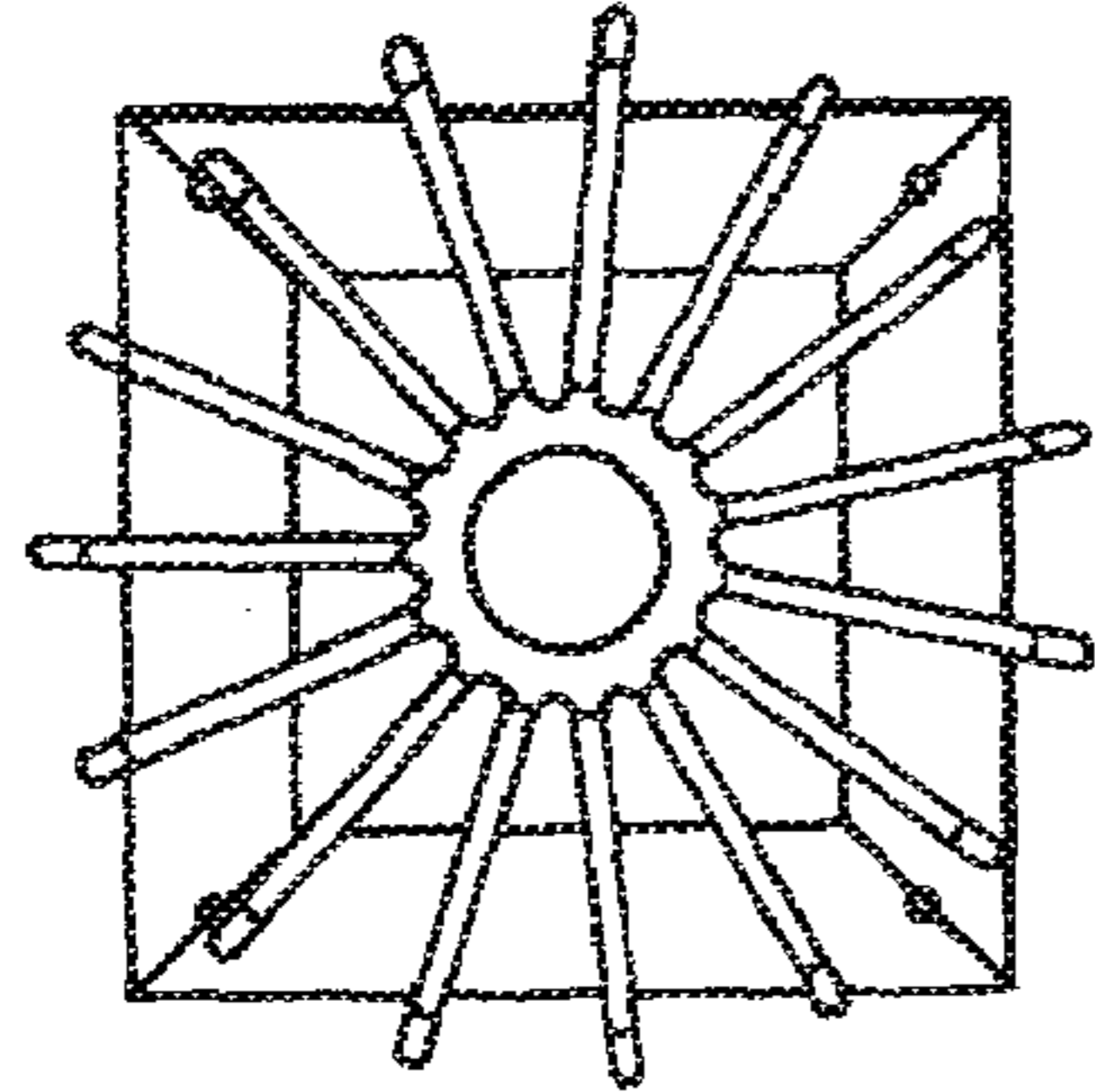


FIG. 3

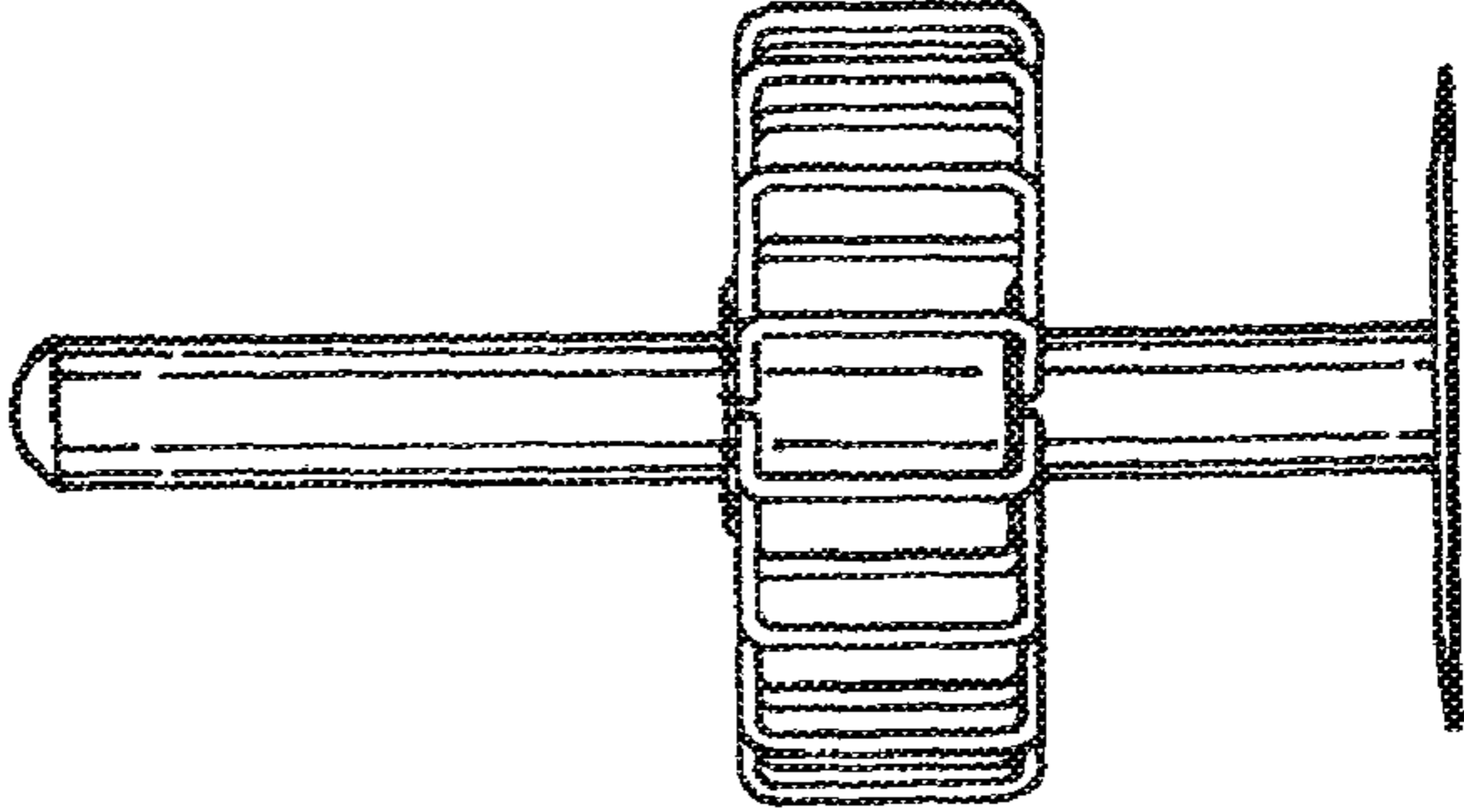


FIG. 4