



US00D612300S

(12) **United States Design Patent**
Lobnitz

(10) **Patent No.:** **US D612,300 S**
(45) **Date of Patent:** **** Mar. 23, 2010**

(54) **BICYCLE FRAME**

6,712,371 B2 * 3/2004 Trubiano 280/274

(76) Inventor: **Nicholas James Lobnitz**, High Clunch Farm, Stewarton, Ayrshire, KA3 5JT (GB)

* cited by examiner

Primary Examiner—Philip S Hyder
Assistant Examiner—Linda G. Brooks

(**) Term: **14 Years**

(74) *Attorney, Agent, or Firm*—Michael D. Eisenberg

(21) Appl. No.: **29/341,971**

(57) **CLAIM**

(22) Filed: **Aug. 15, 2009**

The ornamental design for the bicycle frame, as shown and described.

(51) **LOC (9) Cl.** **12-11**

(52) **U.S. Cl.** **D12/111**

(58) **Field of Classification Search** D12/111,
D12/117; 280/274–278, 281.1, 283–288,
280/288.1–288.3

See application file for complete search history.

DESCRIPTION

FIG. 1 is a perspective view of a bicycle frame;
FIG. 2 is a left side view of the bicycle frame;
FIG. 3 is a right side view of the bicycle frame;
FIG. 4 is a rear view of the bicycle frame;
FIG. 5 is a front view of the bicycle frame;
FIG. 6 is a top view of the bicycle frame; and,
FIG. 7 is a bottom view of the bicycle frame.

(56) **References Cited**

U.S. PATENT DOCUMENTS

3,226,132 A * 12/1965 Otani 280/281.1
D218,659 S * 9/1970 Takashima D12/111
4,427,209 A * 1/1984 Morita 280/281.1
D340,011 S * 10/1993 Chen D12/111

1 Claim, 7 Drawing Sheets

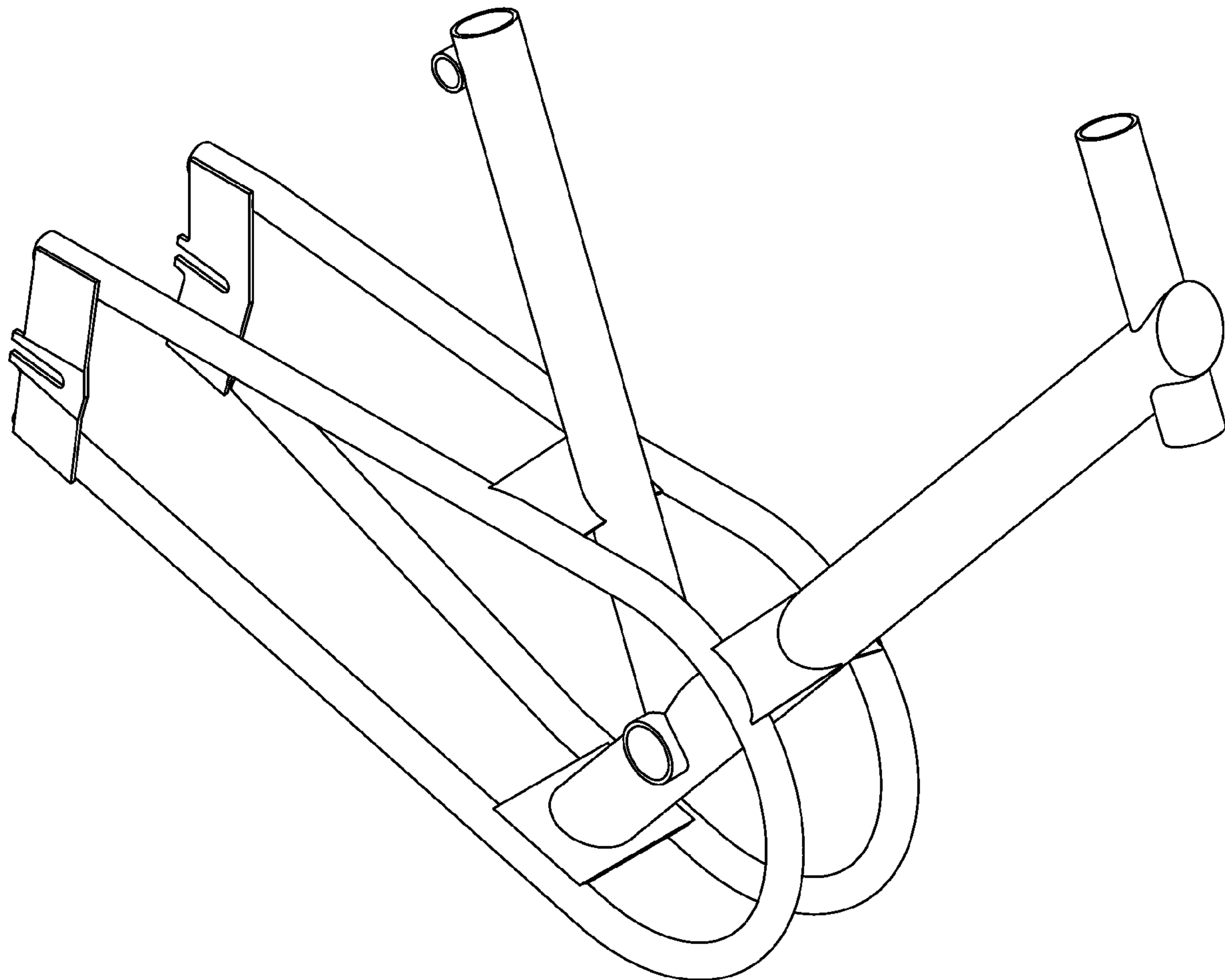


Fig 1

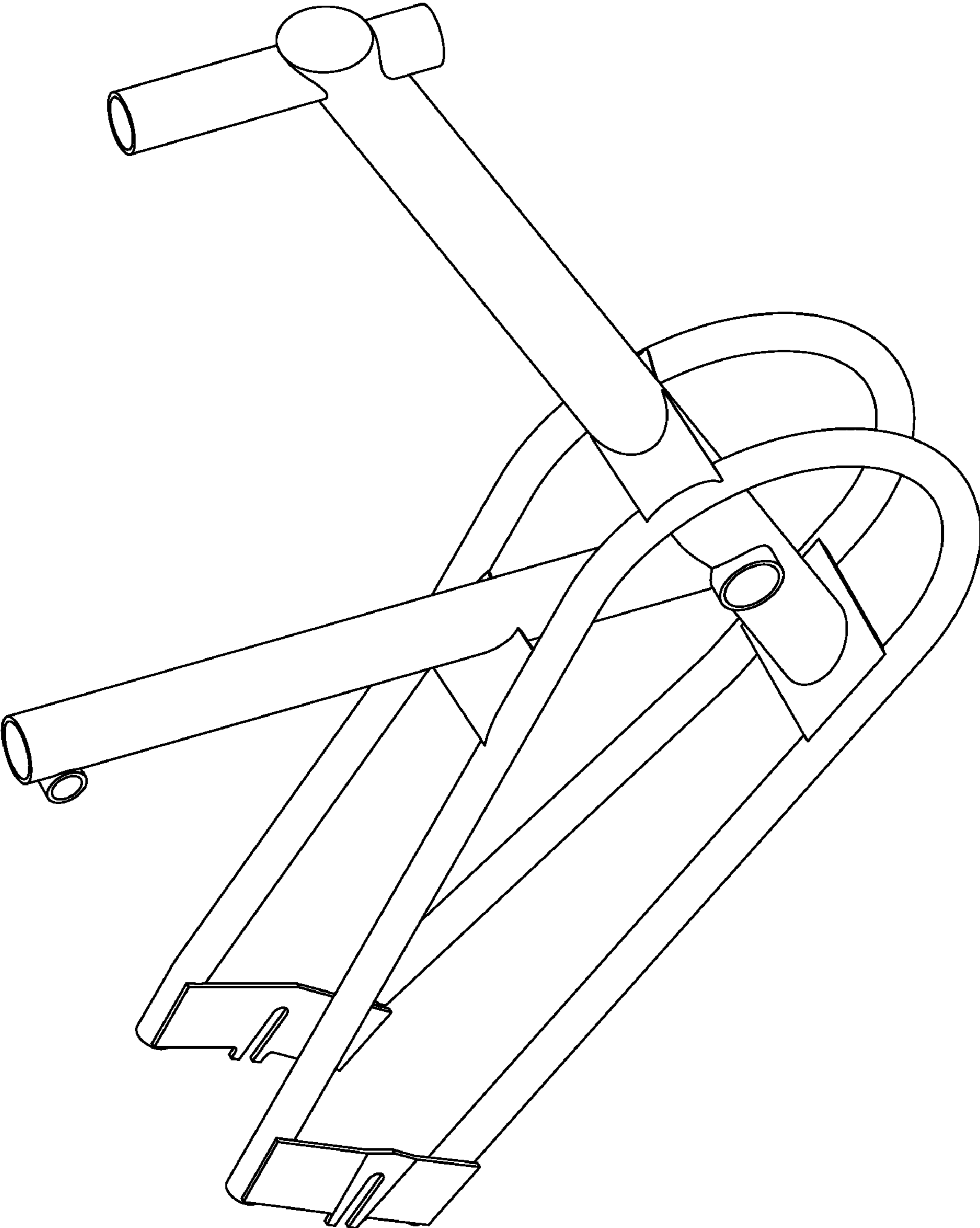


Fig 2

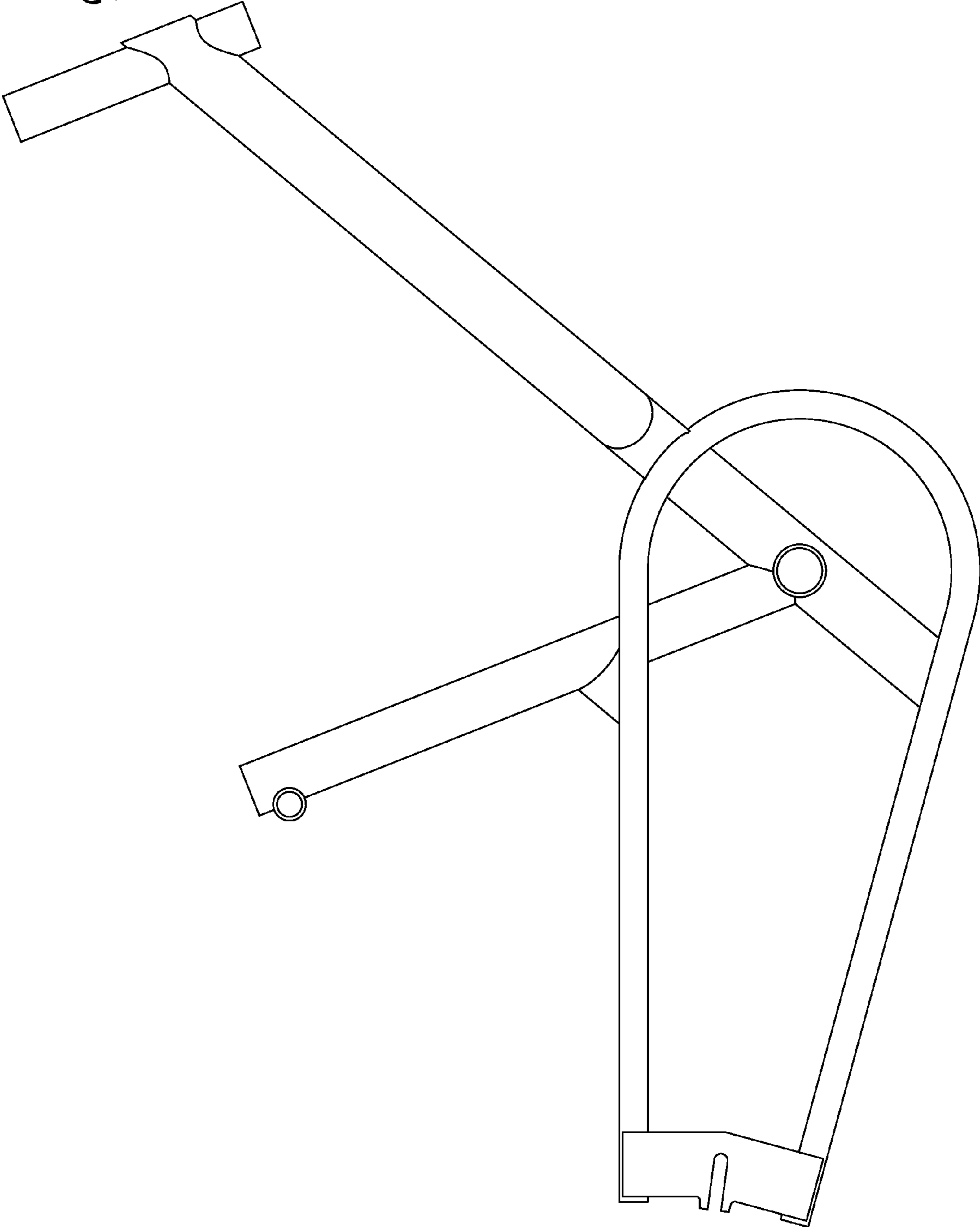


Fig 3

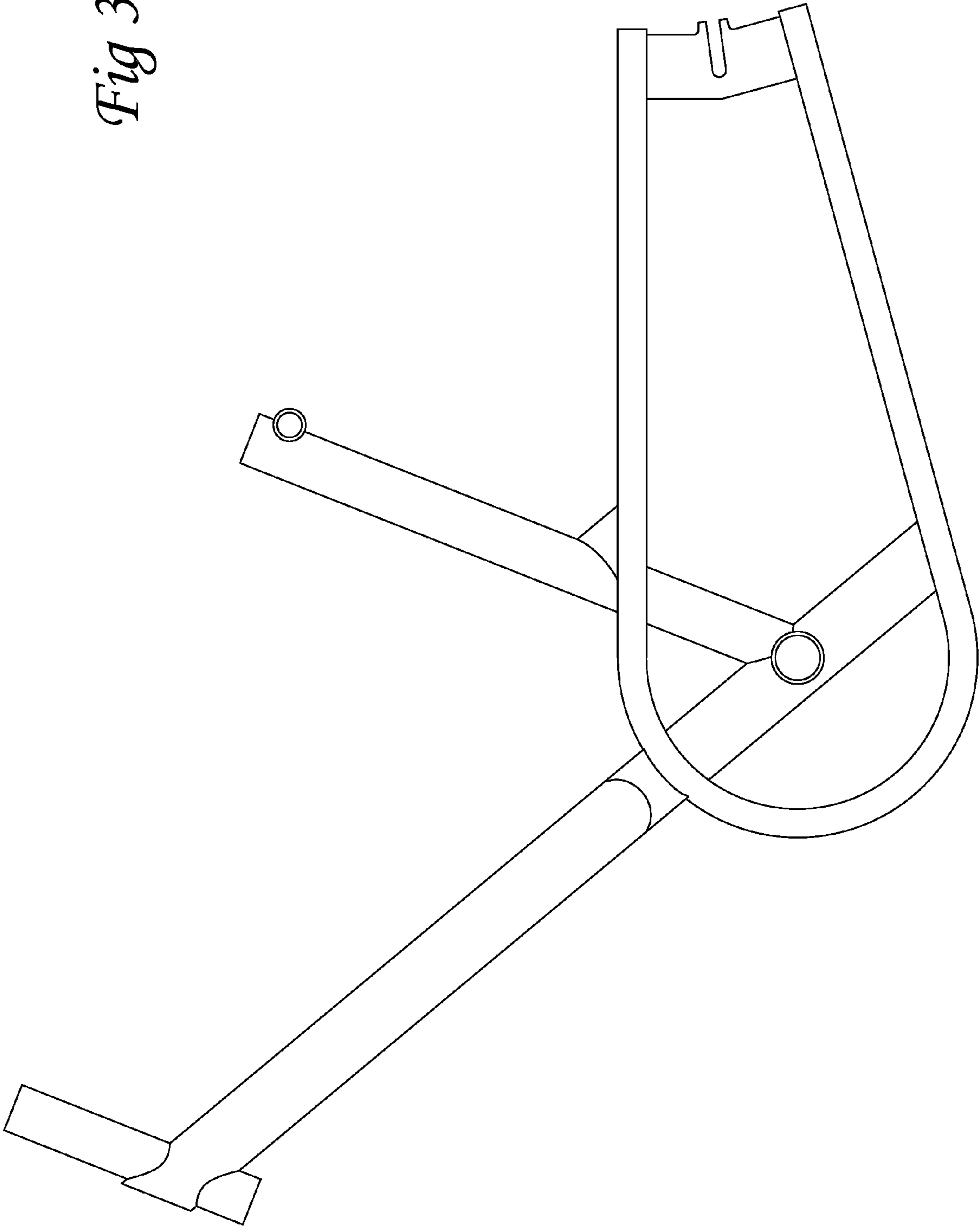


Fig 4

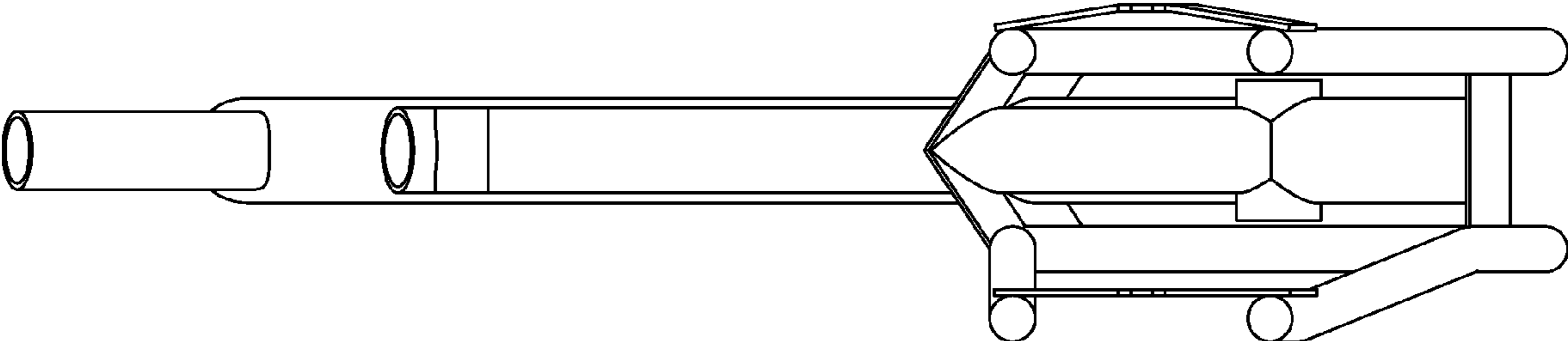


Fig 5

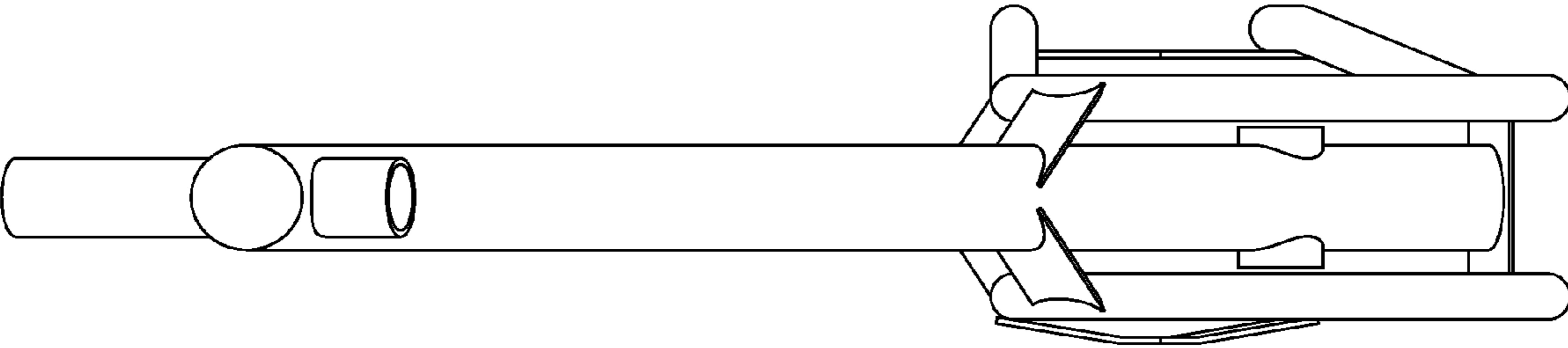


Fig 6

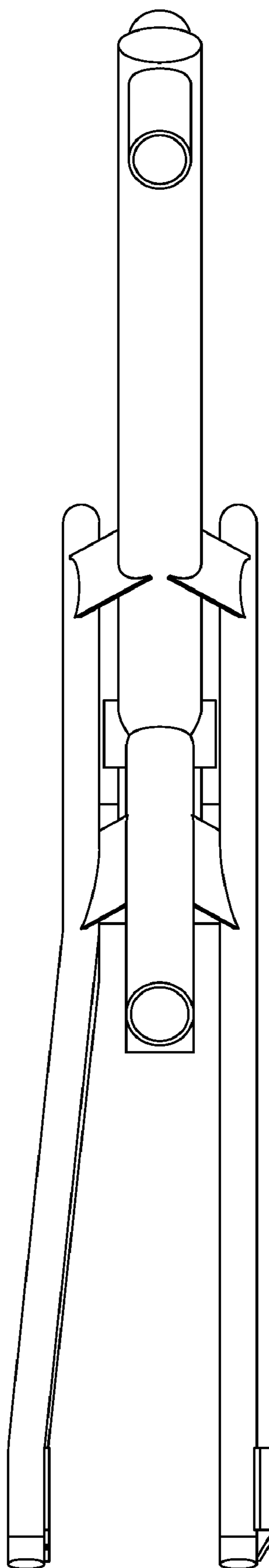


Fig 7

