



US00D612293S

(12) **United States Design Patent**
Cossutti

(10) **Patent No.:** **US D612,293 S**
(45) **Date of Patent:** **** Mar. 23, 2010**

(54) **STOP AND SLIDER OF A SLIDE FASTENER**

Primary Examiner—R. Seifert

(75) **Inventor:** **Livio Cossutti**, Mendrisio (CH)

(74) *Attorney, Agent, or Firm*—Akerman Senterfitt

(73) **Assignee:** **RIRI Group S.A.** (CH)

(57) **CLAIM**

(**) **Term:** **14 Years**

The ornamental design for a stop and slider of a slide fastener, as shown and described.

(21) **Appl. No.:** **29/321,146**

DESCRIPTION

(22) **Filed:** **Jul. 11, 2008**

FIG. 1 is front view of the stop and slider of a slide fastener with puller raised;

(30) **Foreign Application Priority Data**

Jun. 12, 2008 (EM) I 000950092

FIG. 2 is a right side view thereof;

(51) **LOC (9) Cl.** **02-07**

FIG. 3 is a left side view thereof;

(52) **U.S. Cl.** **D11/221**

FIG. 4 is a back view thereof;

(58) **Field of Classification Search** D11/200,

D11/201, 221; 24/381–383, 385–387, 414–417,
24/421–422, 427–431, 433; 2/265

FIG. 5 is a bottom view thereof;

See application file for complete search history.

FIG. 6 is a top view thereof;

FIG. 7 is a perspective view thereof;

FIG. 8 is a front view of the stop and slider of a slide fastener with puller lowered;

(56) **References Cited**

U.S. PATENT DOCUMENTS

2,020,159 A * 11/1935 Pruzan 24/416

5,860,192 A * 1/1999 Chung 24/429

D478,839 S * 8/2003 Yoneoka et al. D11/221

D510,298 S * 10/2005 Hamada et al. D11/221

D572,171 S * 7/2008 Lobel D11/221

D579,378 S * 10/2008 Lobel D11/221

FIG. 9 is a right side view thereof;

FIG. 10 is a left side view thereof;

FIG. 11 is a back view thereof;

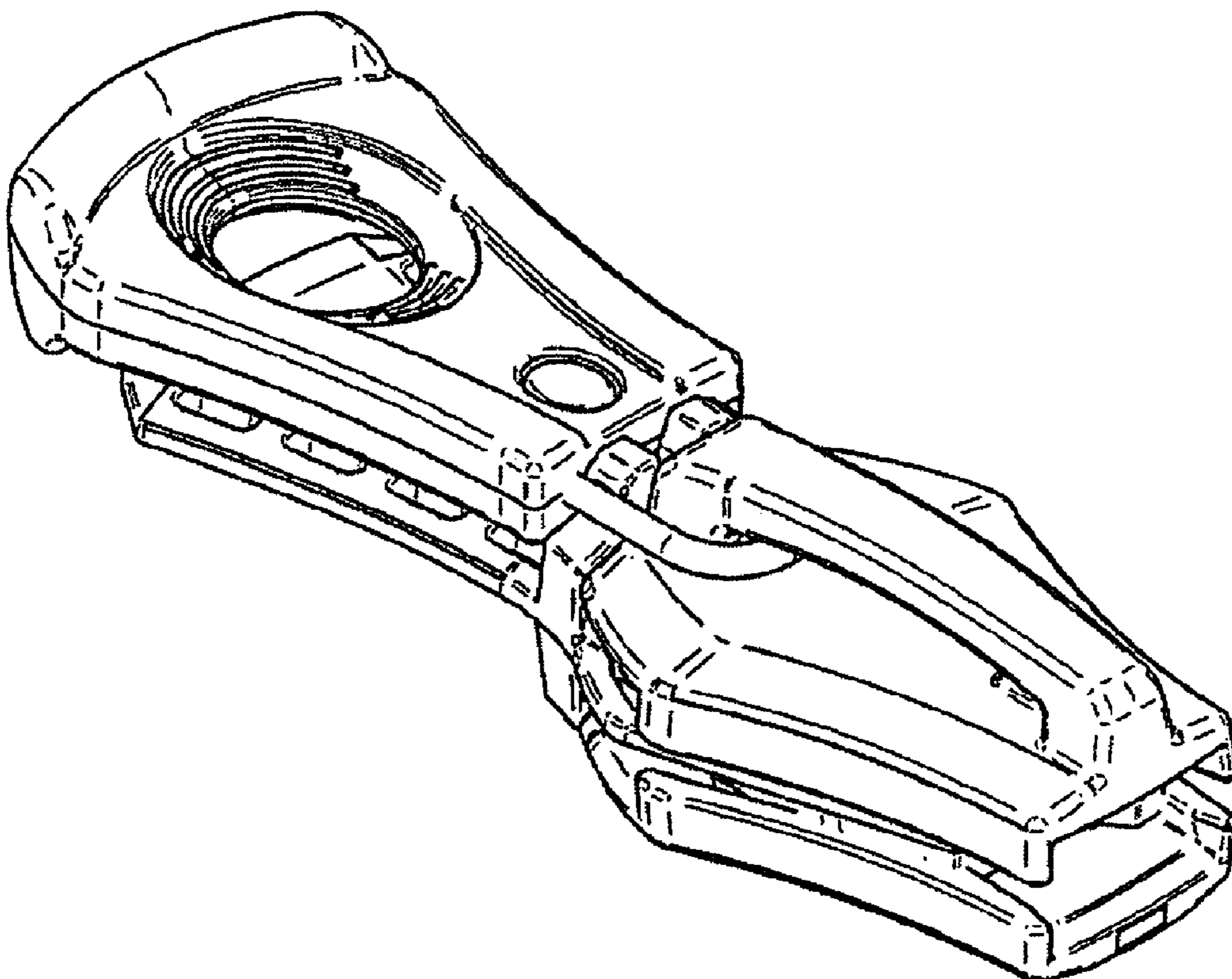
FIG. 12 is a bottom view thereof;

FIG. 13 is a top view thereof; and,

FIG. 14 is a perspective view thereof.

* cited by examiner

1 Claim, 14 Drawing Sheets



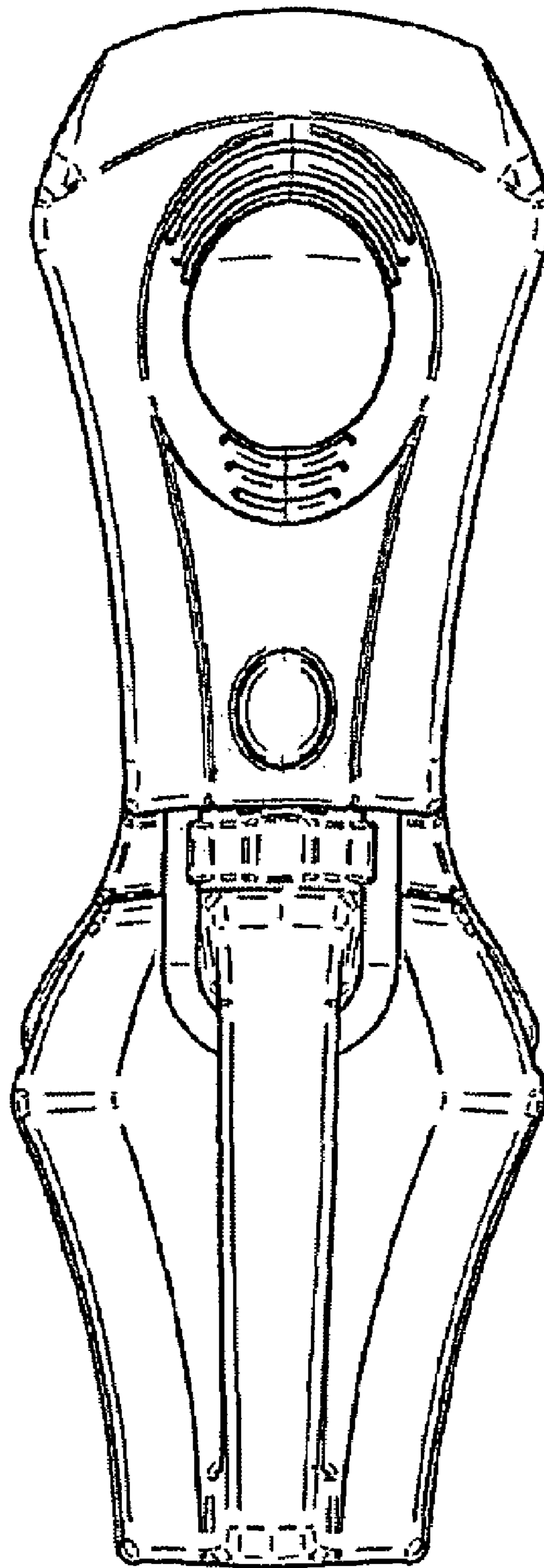


Figure 1

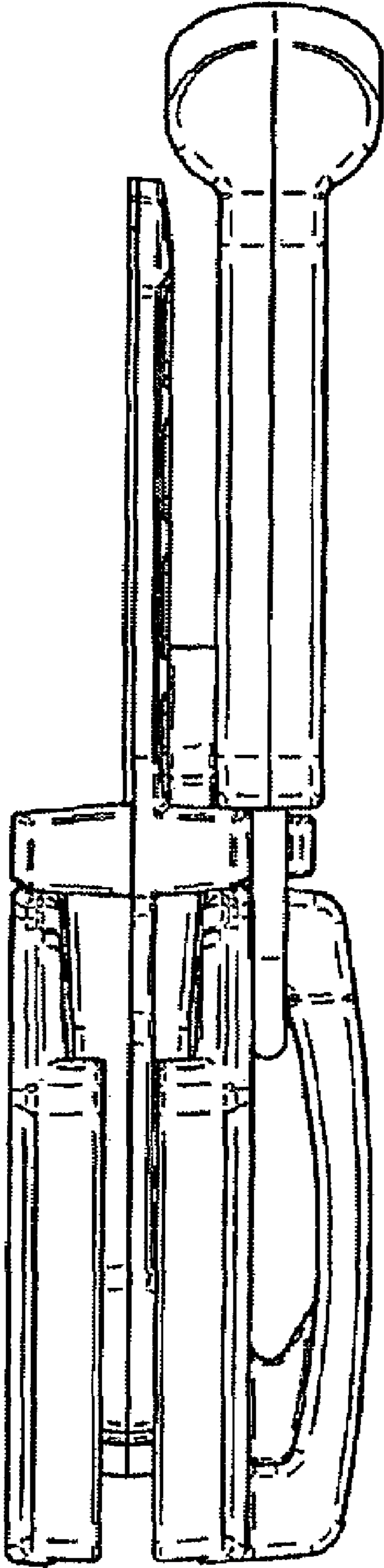


Figure 2

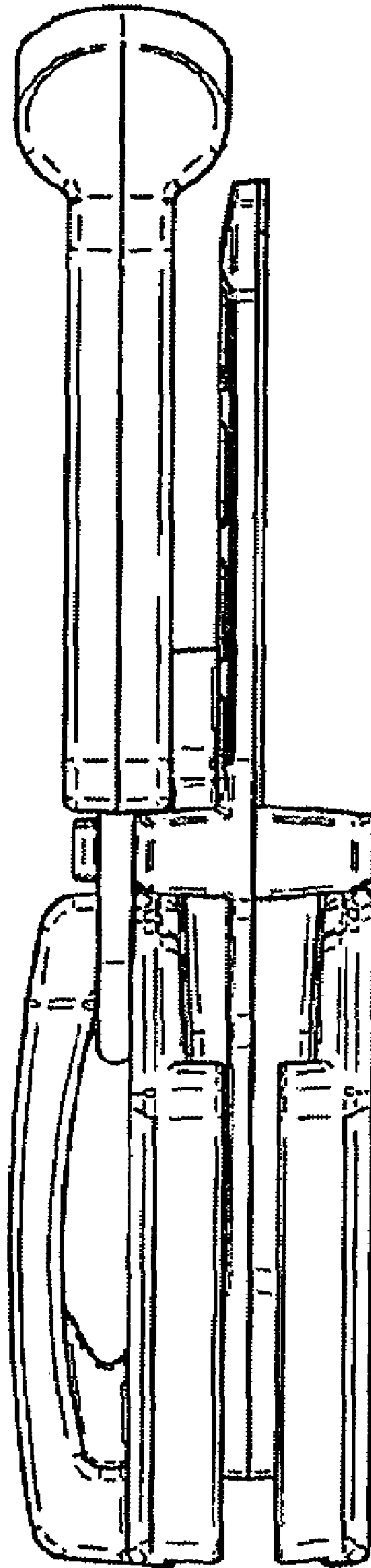


Figure 3

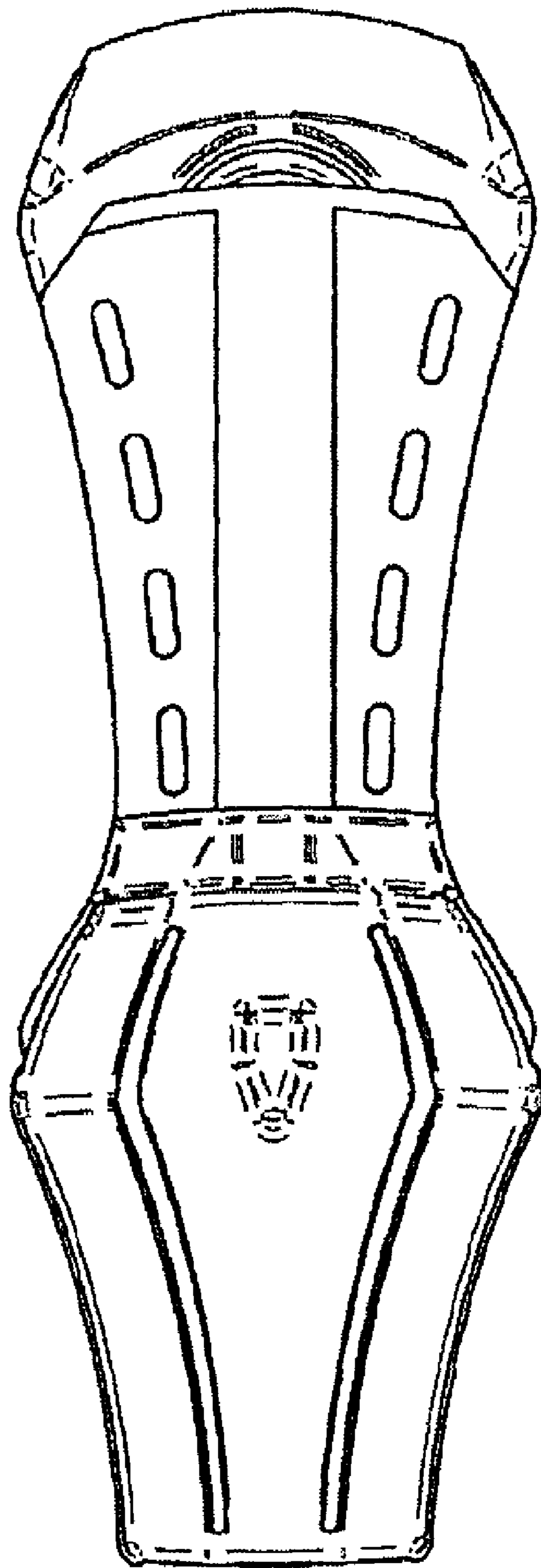


Figure 4

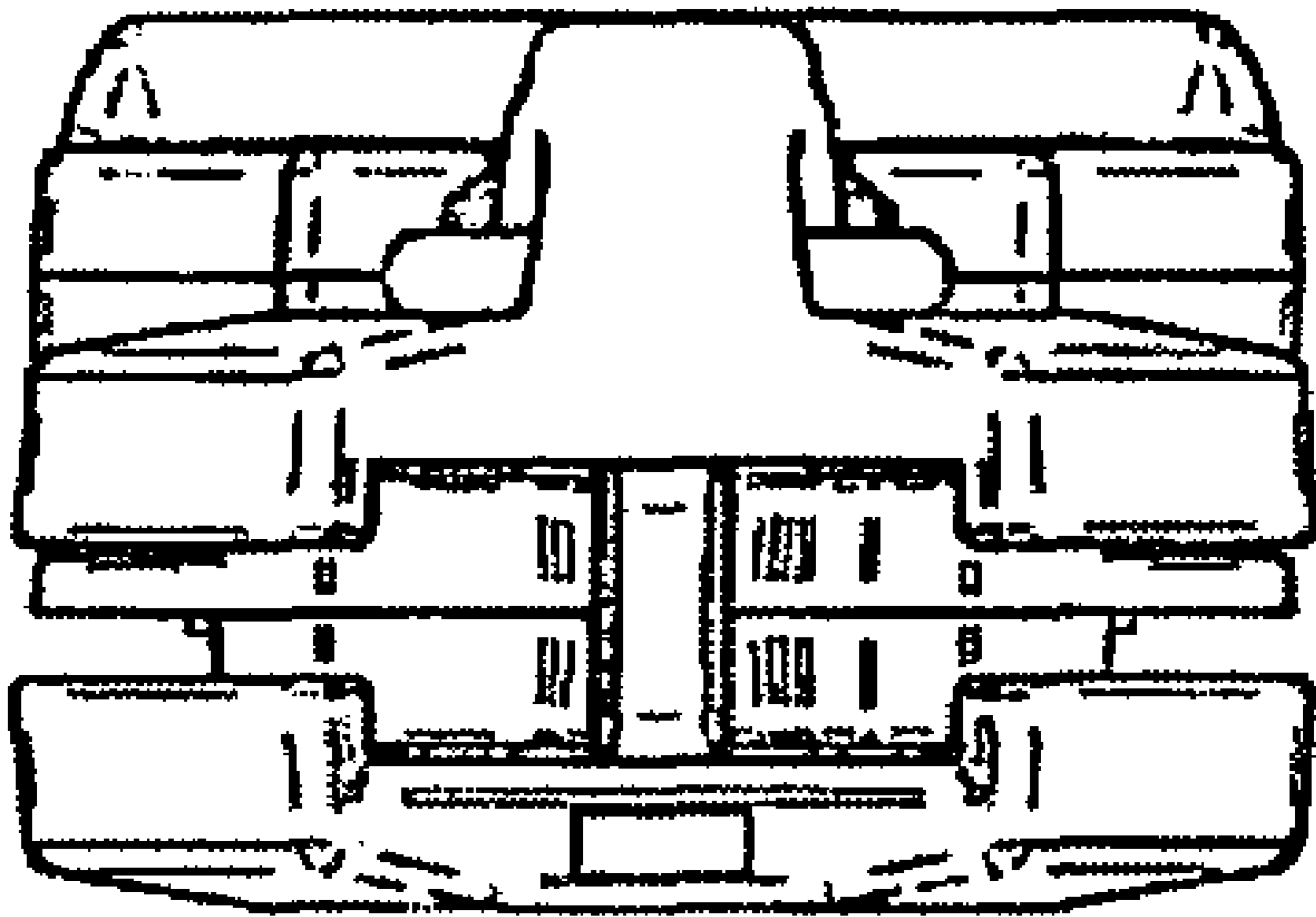


Figure 5

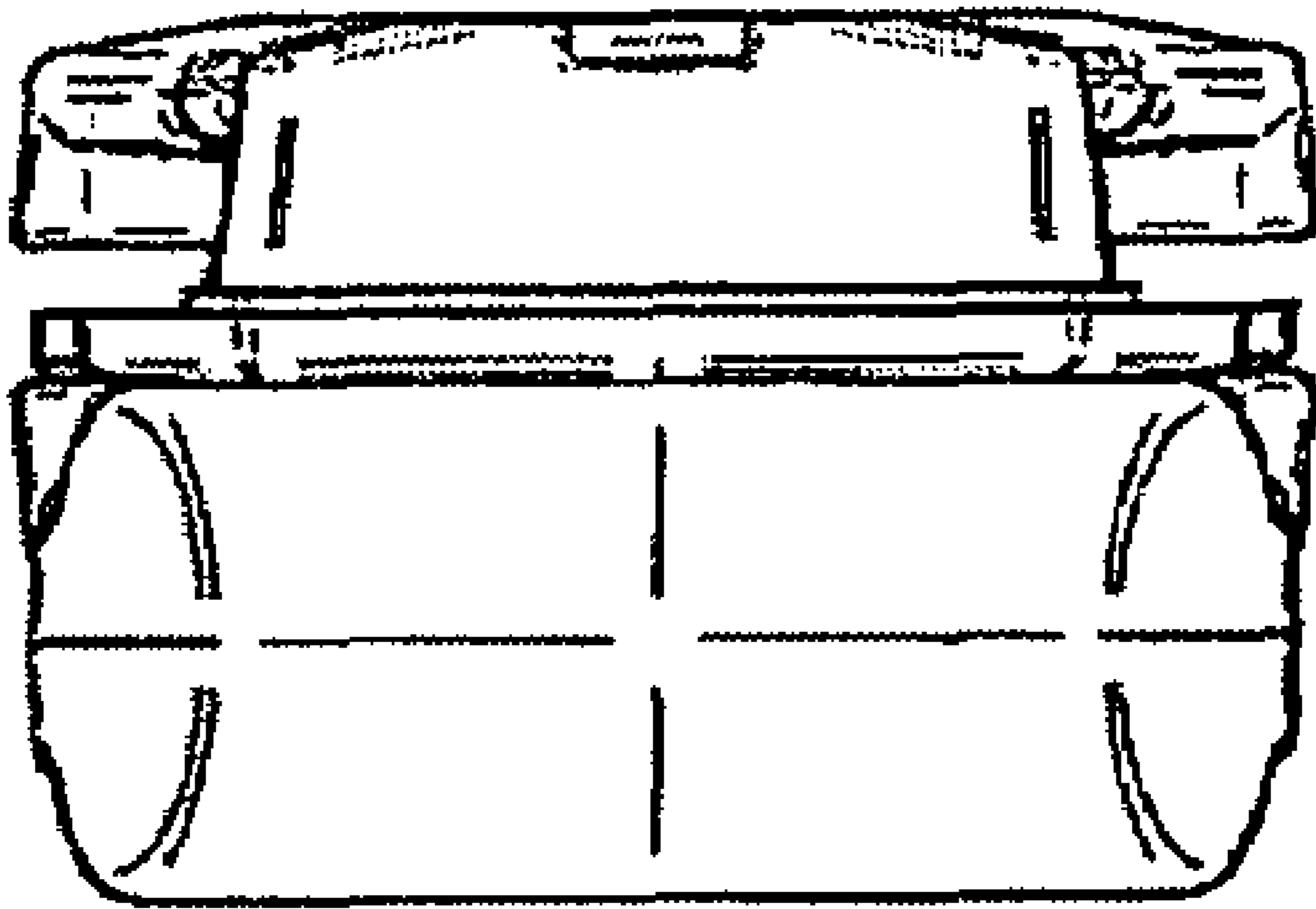


Figure 6

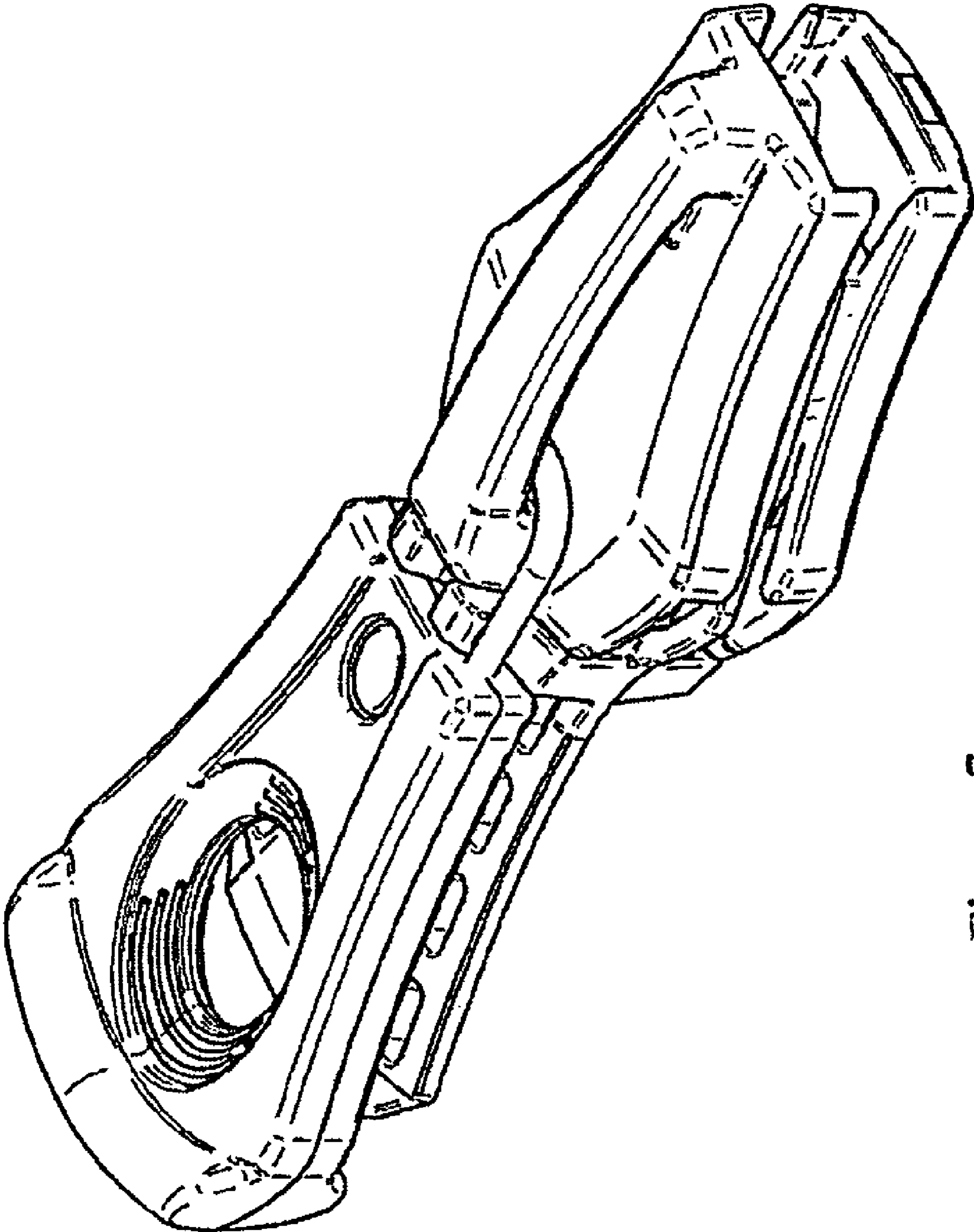


Figure 7

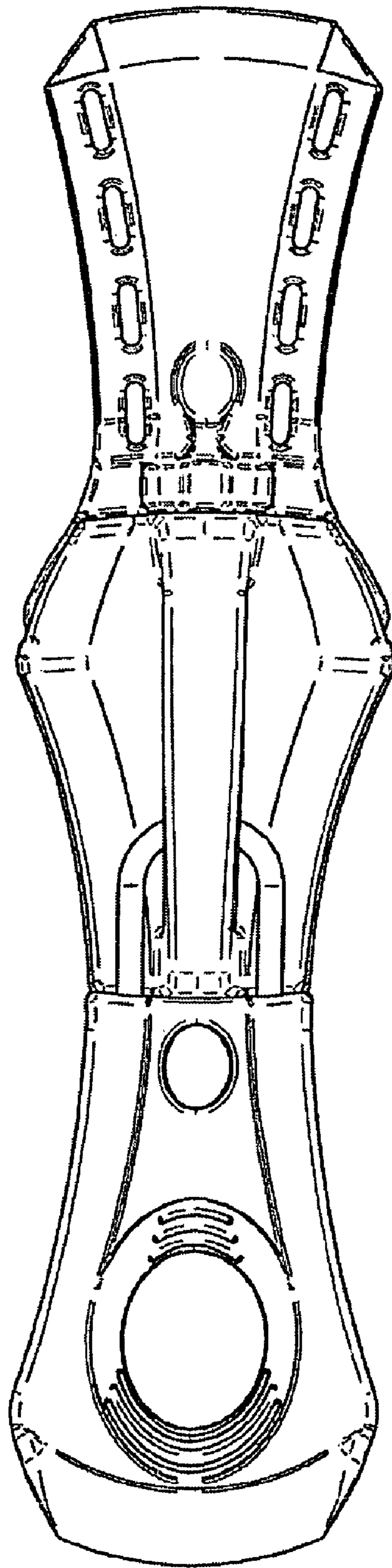


Figure 8

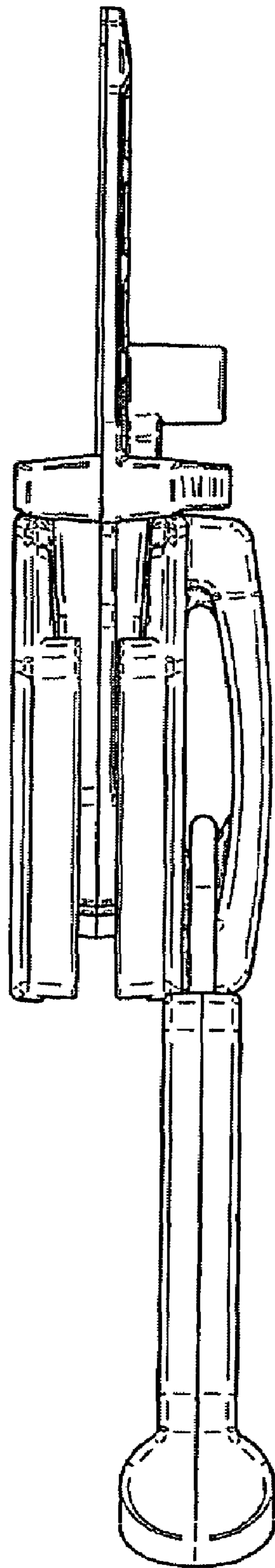


Figure 9

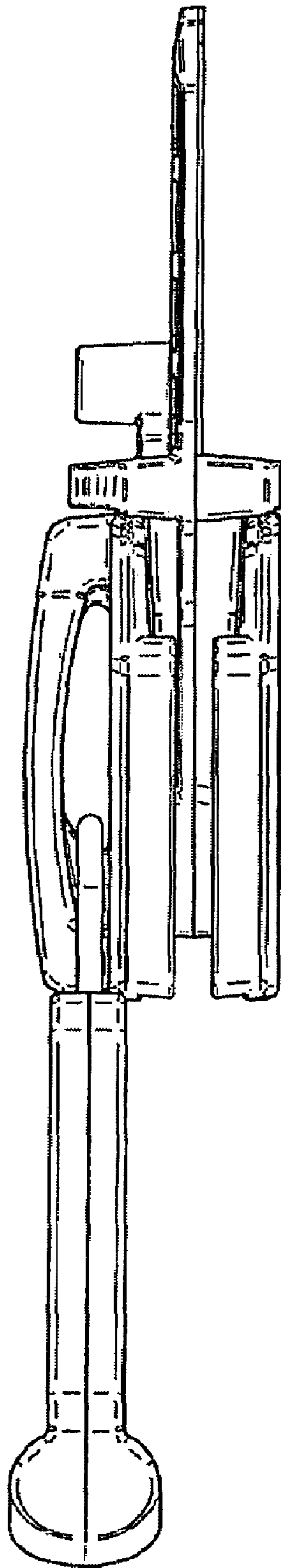


Figure 10

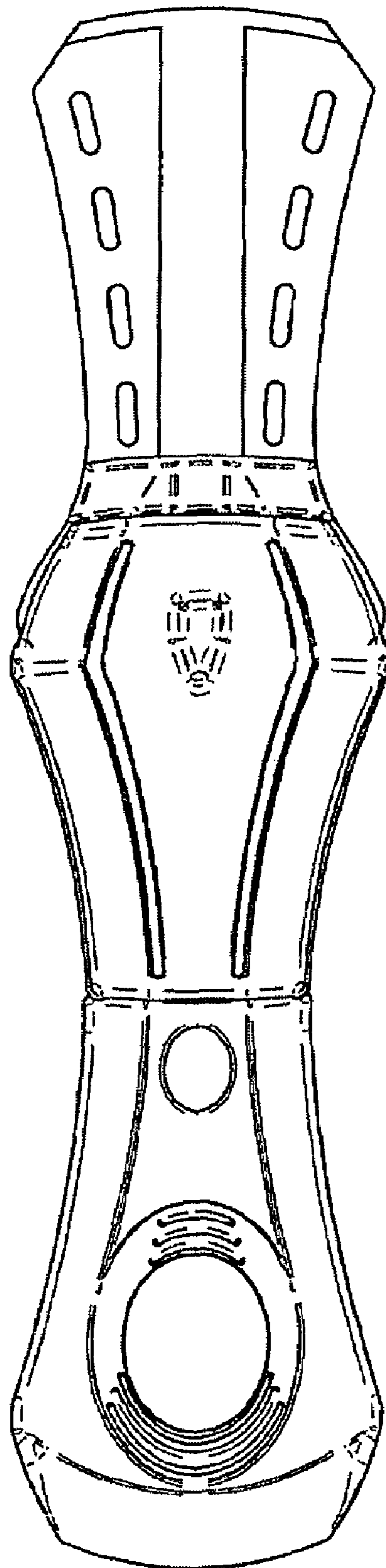


Figure 11

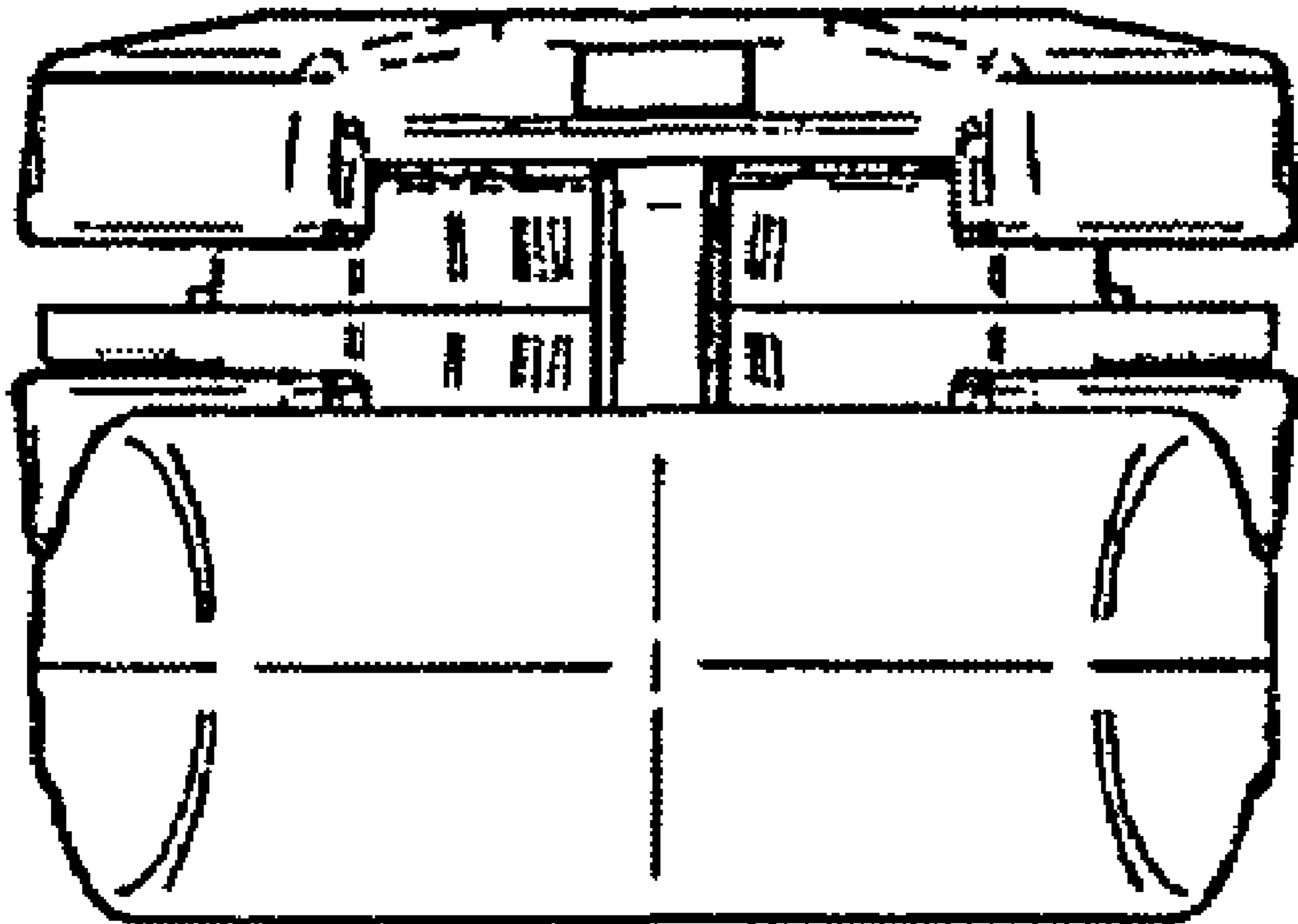


Figure 12

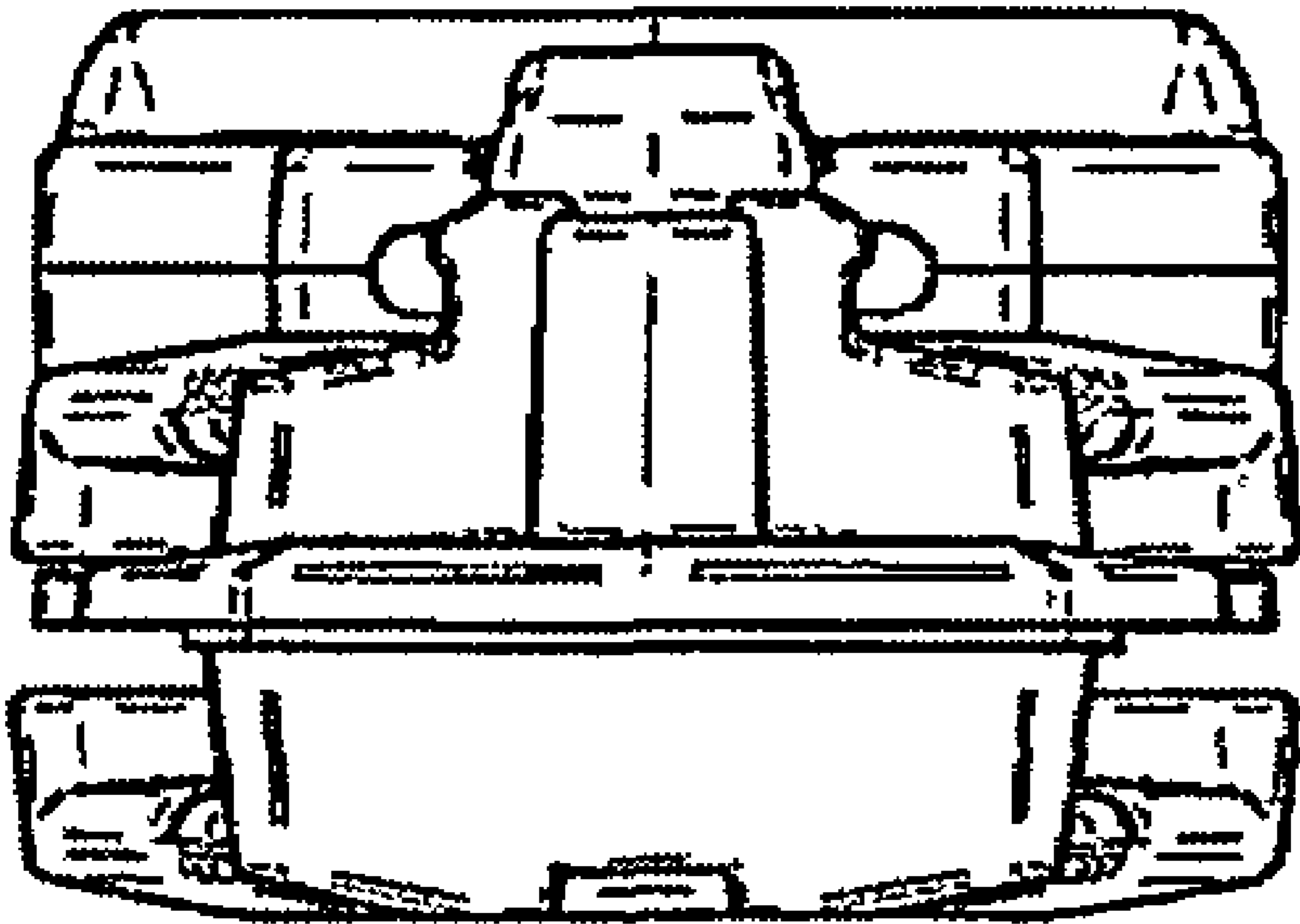


Figure 13

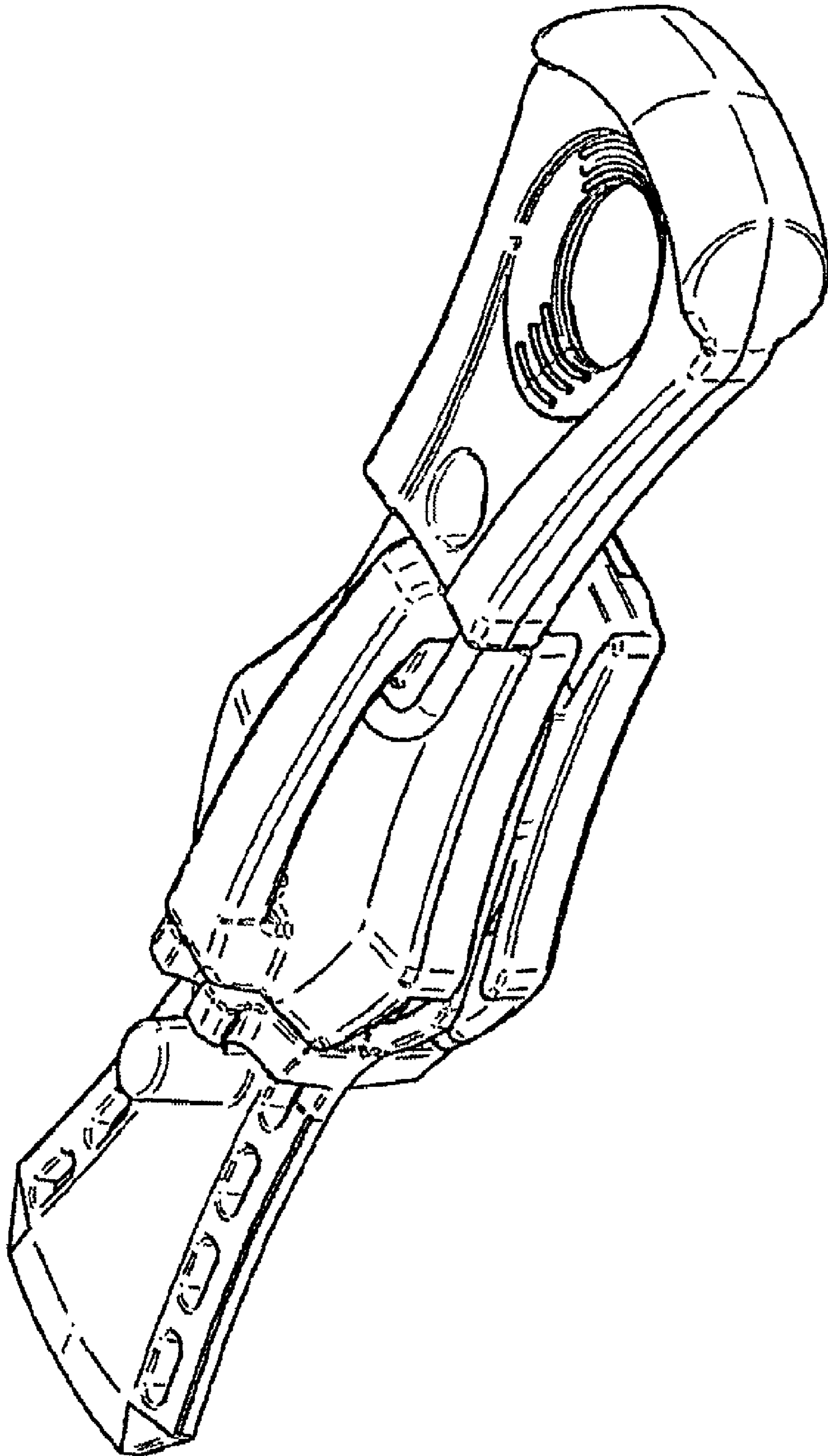


Figure 14