



US00D612292S

(12) **United States Design Patent**
Miyazaki et al.

(10) **Patent No.:** **US D612,292 S**
(45) **Date of Patent:** **** Mar. 23, 2010**

(54) **SLIDER FOR SLIDE FASTENER**

(75) Inventors: **Yohei Miyazaki**, Kurobe (JP); **Keiichi Keyaki**, Kurobe (JP)

(73) Assignee: **YKK Corporation**, Tokyo (JP)

(**) Term: **14 Years**

(21) Appl. No.: **29/317,408**

(22) Filed: **Apr. 29, 2008**

(30) **Foreign Application Priority Data**

Nov. 2, 2007 (JP) 2007-030440

(51) **LOC (9) Cl.** **02-07**

(52) **U.S. Cl.** **D11/221**

(58) **Field of Classification Search** D11/200,
D11/201, 221; 24/381-383, 385-387, 414-417,
24/421-422, 427-431, 433; 2/265
See application file for complete search history.

(56) **References Cited**

U.S. PATENT DOCUMENTS

D291,670 S 9/1987 Takabatake

D366,230 S * 1/1996 Aoki D11/221
D557,634 S * 12/2007 Ohgaku et al. D11/221
D559,733 S * 1/2008 Yamamoto D11/221
D575,190 S * 8/2008 Keyaki et al. D11/221
D579,379 S * 10/2008 Lin D11/221

* cited by examiner

Primary Examiner—Ralf Seifert

(74) *Attorney, Agent, or Firm*—Alston & Bird, LLP

(57) **CLAIM**

The ornamental design for a slider for slide fastener, as shown and described.

DESCRIPTION

FIG. 1 is a perspective view of the top, front and right side of a slider for slide fastener showing our new design;

FIG. 2 is front view thereof;

FIG. 3 is a rear view thereof;

FIG. 4 is a top plan view thereof;

FIG. 5 is a bottom view thereof; and,

FIG. 6 is a right side view thereof, the left side view is mirror image thereof.

1 Claim, 4 Drawing Sheets

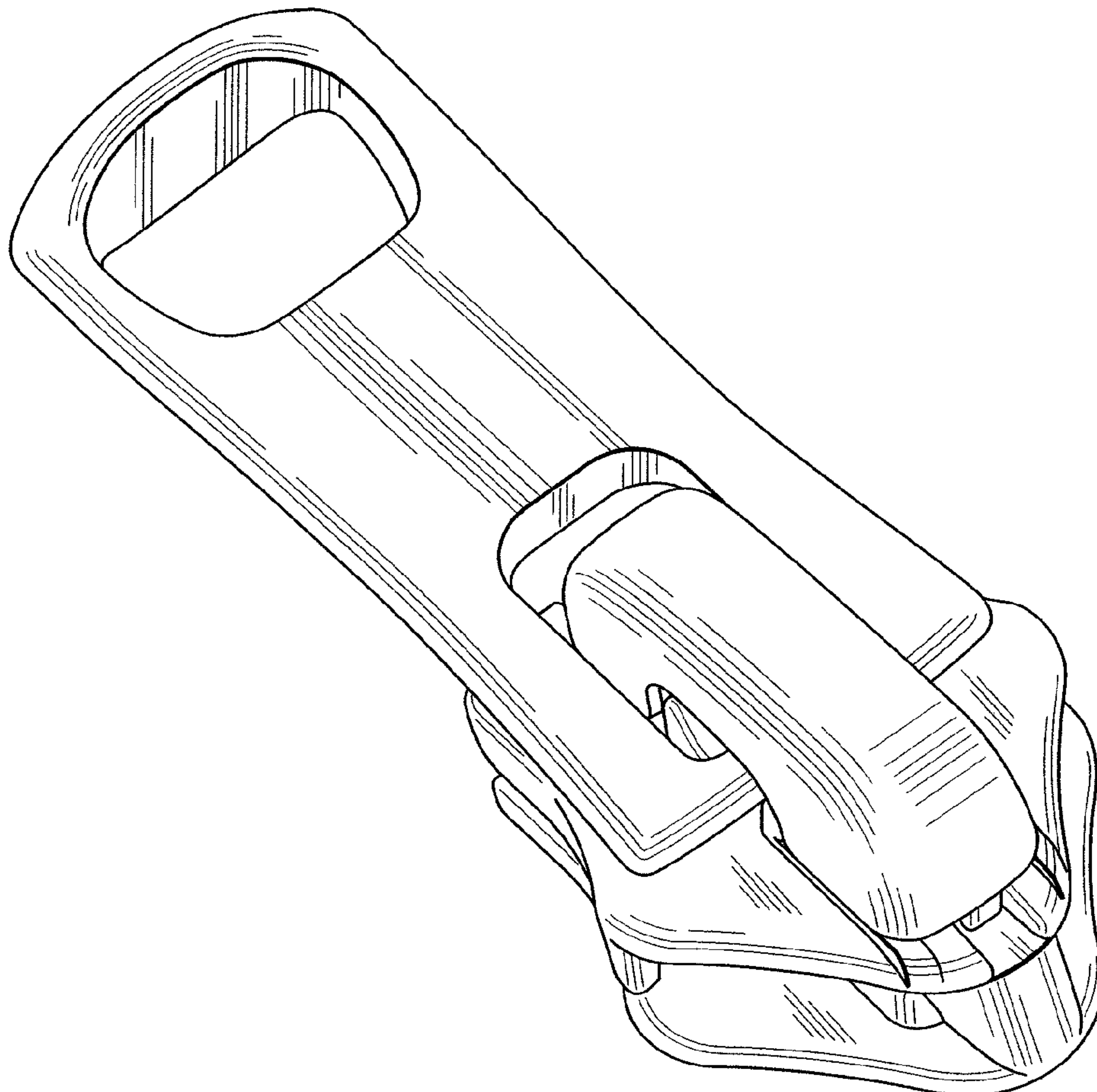


FIG. 1

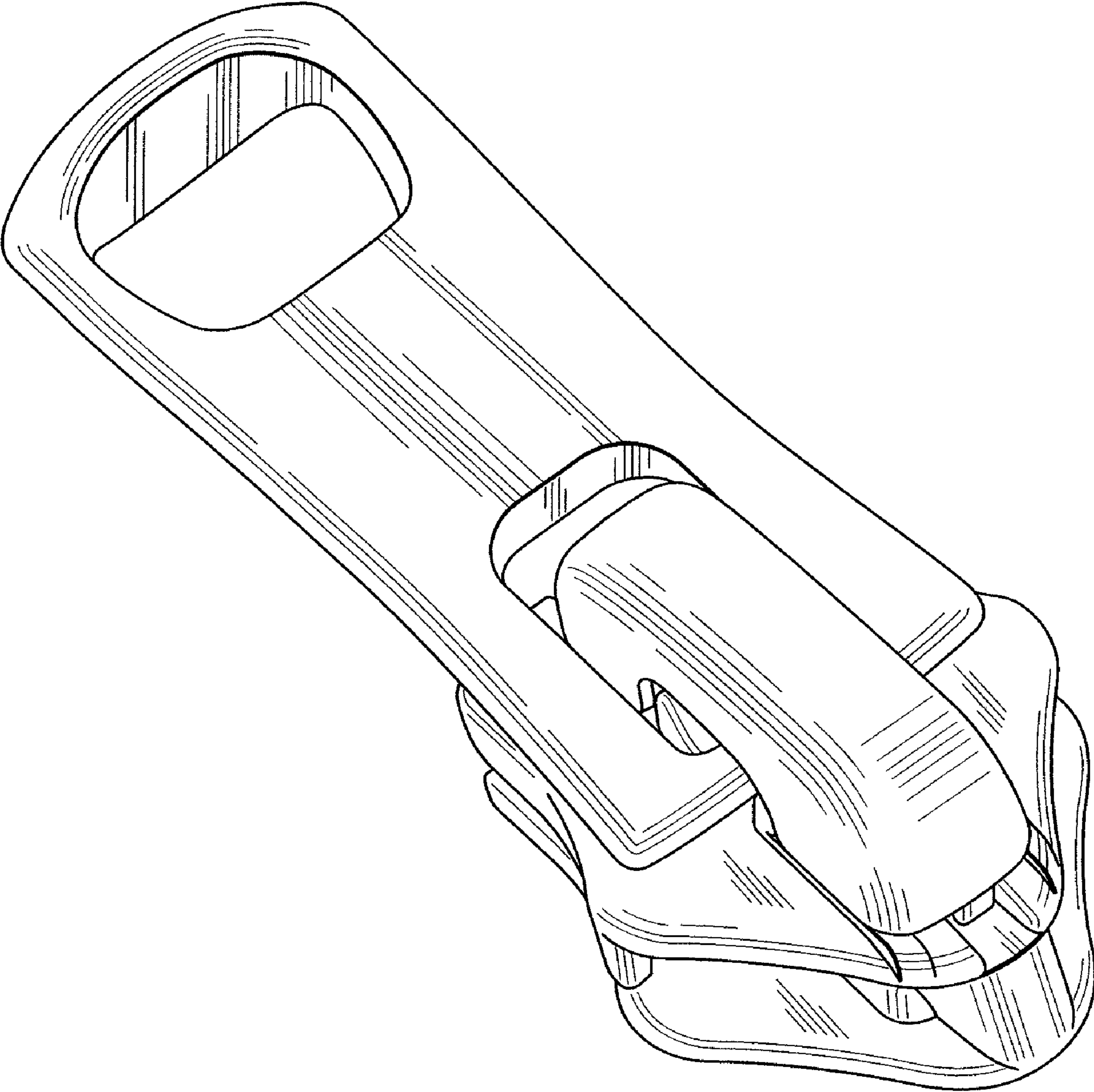


FIG.2

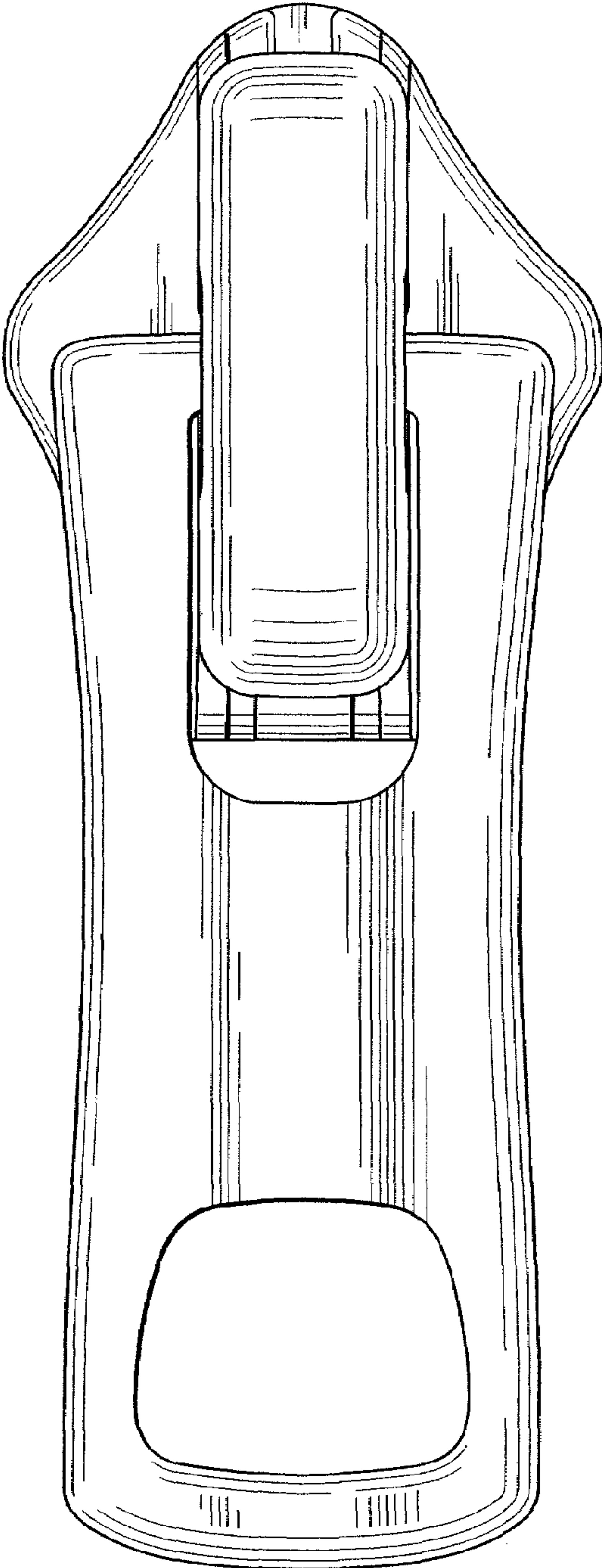


FIG.3

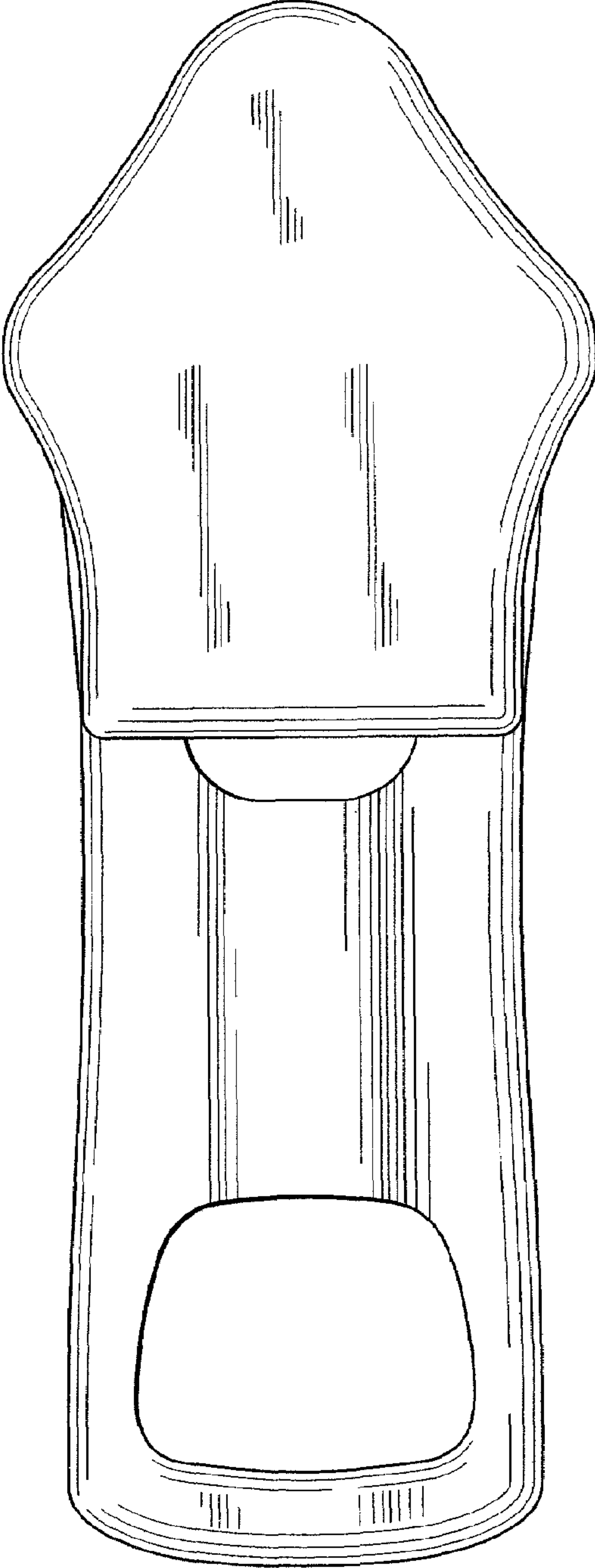


FIG.4

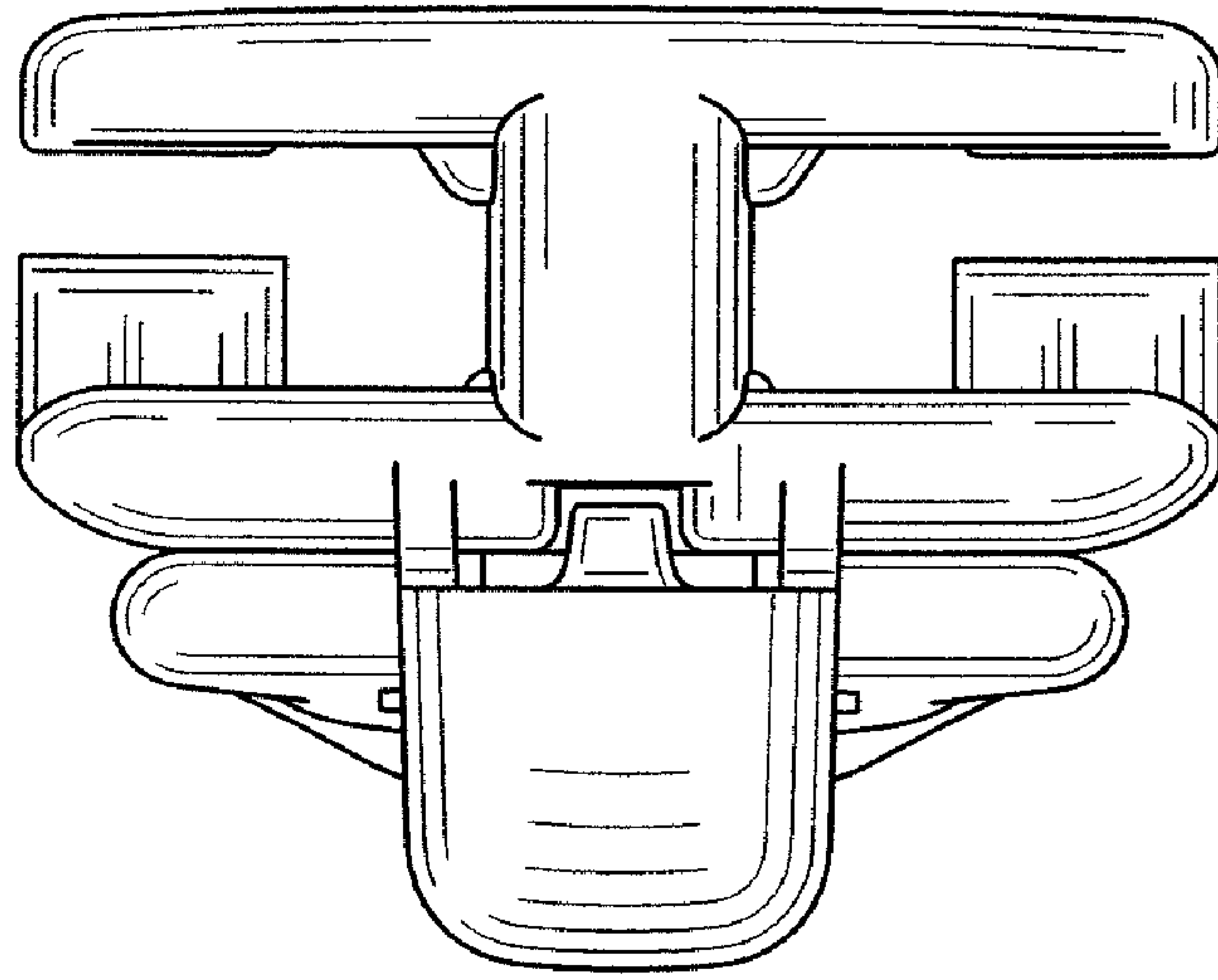


FIG.5

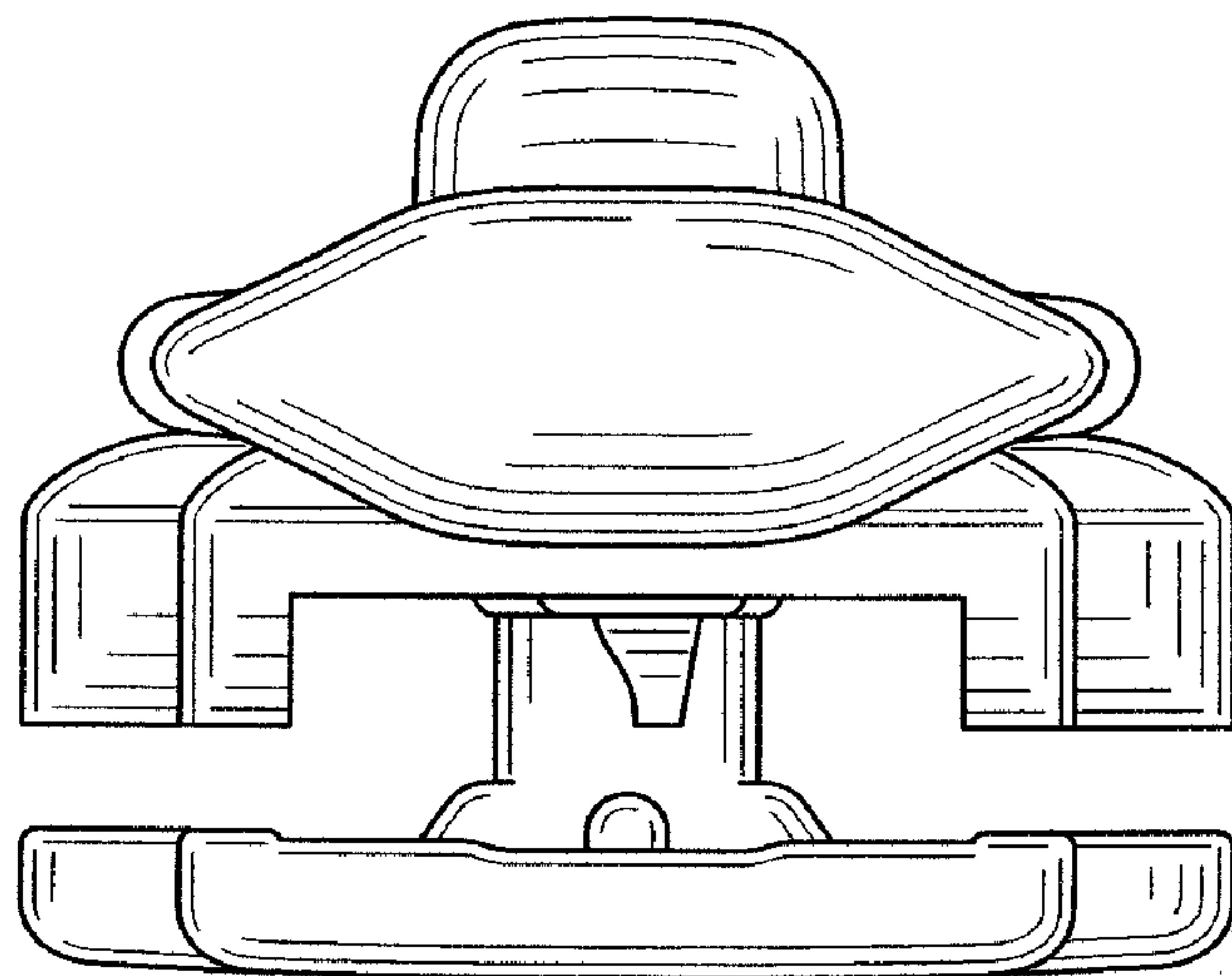


FIG. 6

