



US00D612291S

(12) **United States Design Patent**  
**Yang**

(10) **Patent No.:** **US D612,291 S**

(45) **Date of Patent:** **\*\* Mar. 23, 2010**

(54) **ELASTIC FASTENER TAPE**

(75) Inventor: **Shih-Sheng Yang**, Taipei Hsien (TW)

(73) Assignee: **Universal Trim Supply Co., Ltd.**,  
Taipei Hsien (TW)

(\*\*) Term: **14 Years**

(21) Appl. No.: **29/335,120**

(22) Filed: **Apr. 9, 2009**

(30) **Foreign Application Priority Data**

Mar. 19, 2009 (TW) ..... 98301152

(51) **LOC (9) Cl.** ..... **02-07**

(52) **U.S. Cl.** ..... **D11/200**

(58) **Field of Classification Search** ..... D11/200,  
D11/201, 216, 218; D3/215, 327; D2/625,  
D2/640, 891; D24/189; 2/336, 337, 240,  
2/912, 920, DIG. 11, 222; D5/99, 43; 24/168,  
24/300, 301, 302, 442, 306; 139/384 R  
See application file for complete search history.

(56) **References Cited**

**U.S. PATENT DOCUMENTS**

1,268,075 A \* 5/1918 Glynn ..... 2/337  
2,290,238 A \* 7/1942 Hickok ..... 428/90  
2,837,748 A \* 6/1958 Manning et al. .... 2/309  
D200,155 S \* 1/1965 Hedu ..... D11/216  
3,194,234 A \* 7/1965 Duckman et al. .... 128/95.1

3,423,764 A \* 1/1969 Cassling ..... 2/337  
4,888,830 A \* 12/1989 Putnam ..... 2/327  
5,676,178 A \* 10/1997 Ehnimb ..... 139/384 R  
6,131,249 A \* 10/2000 Suenaga ..... 24/306  
D568,783 S \* 5/2008 Yang et al. .... D11/216  
D568,785 S \* 5/2008 Yang et al. .... D11/218  
D568,787 S \* 5/2008 Yang et al. .... D11/218  
D568,788 S \* 5/2008 Yang et al. .... D11/218

\* cited by examiner

*Primary Examiner*—Paula Greene

(74) *Attorney, Agent, or Firm*—Leong C. Lei

(57) **CLAIM**

The ornamental design for an elastic fastener tape, as shown and described.

**DESCRIPTION**

FIG. 1 is a perspective view of an elastic fastener tape showing my new design;

FIG. 2 is a front elevational view thereof;

FIG. 3 is a rear elevational view thereof;

FIG. 4 is a left side perspective view thereof;

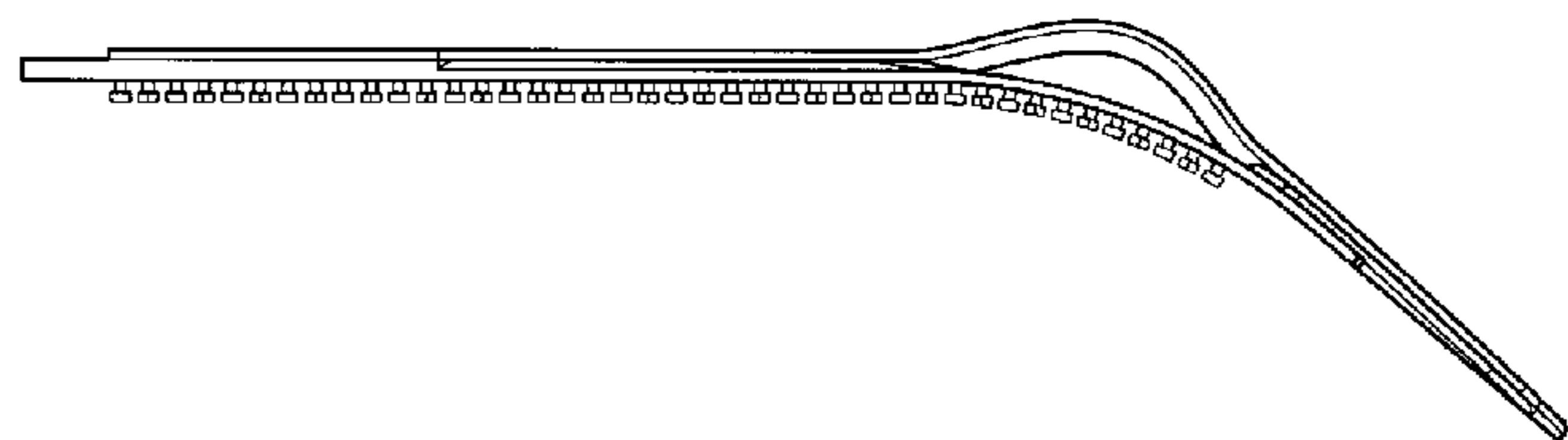
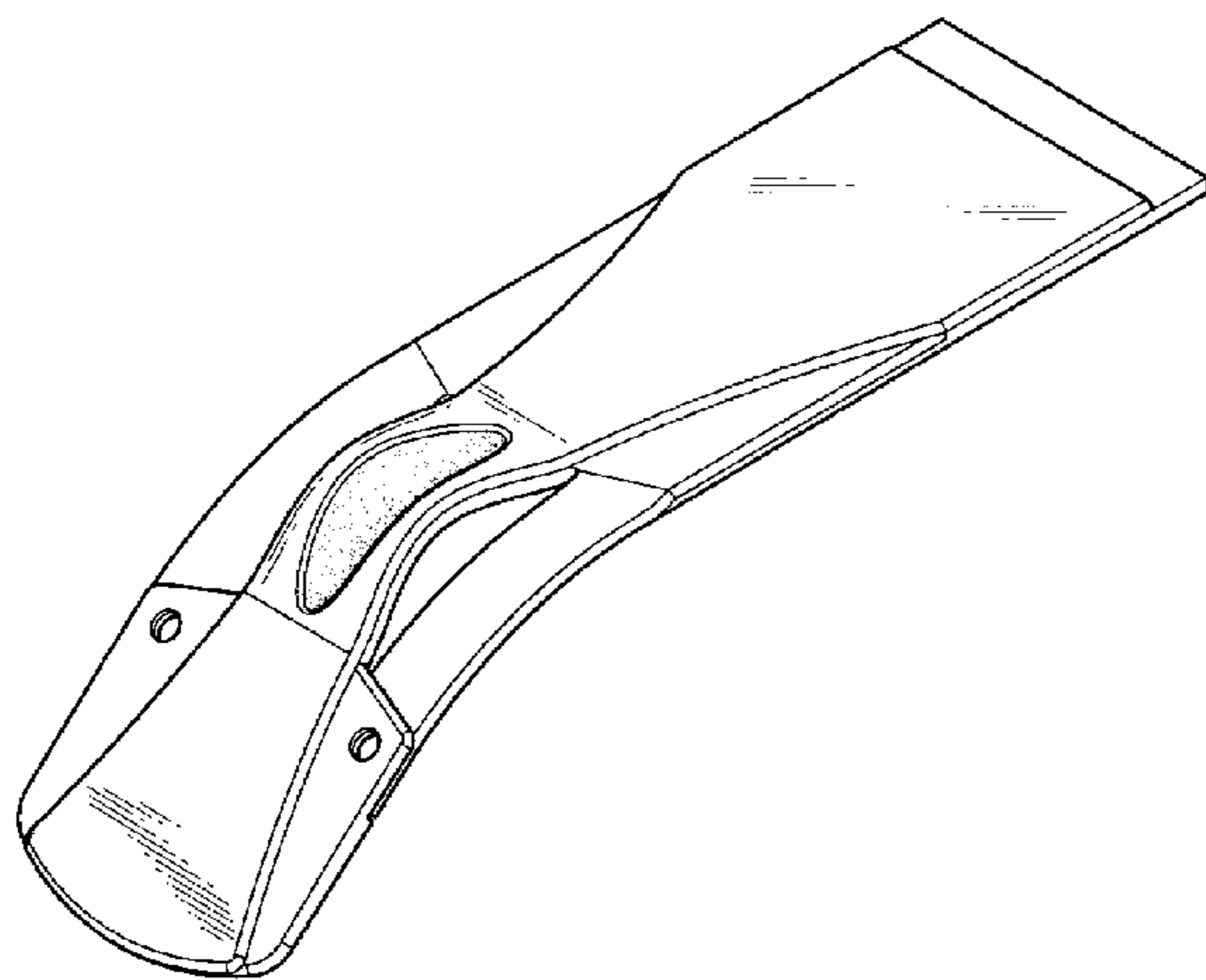
FIG. 5 is a right side perspective view thereof;

FIG. 6 is a top plan view thereof;

FIG. 7 is a bottom plan view thereof; and,

FIG. 8 is another perspective view thereof.

**1 Claim, 7 Drawing Sheets**



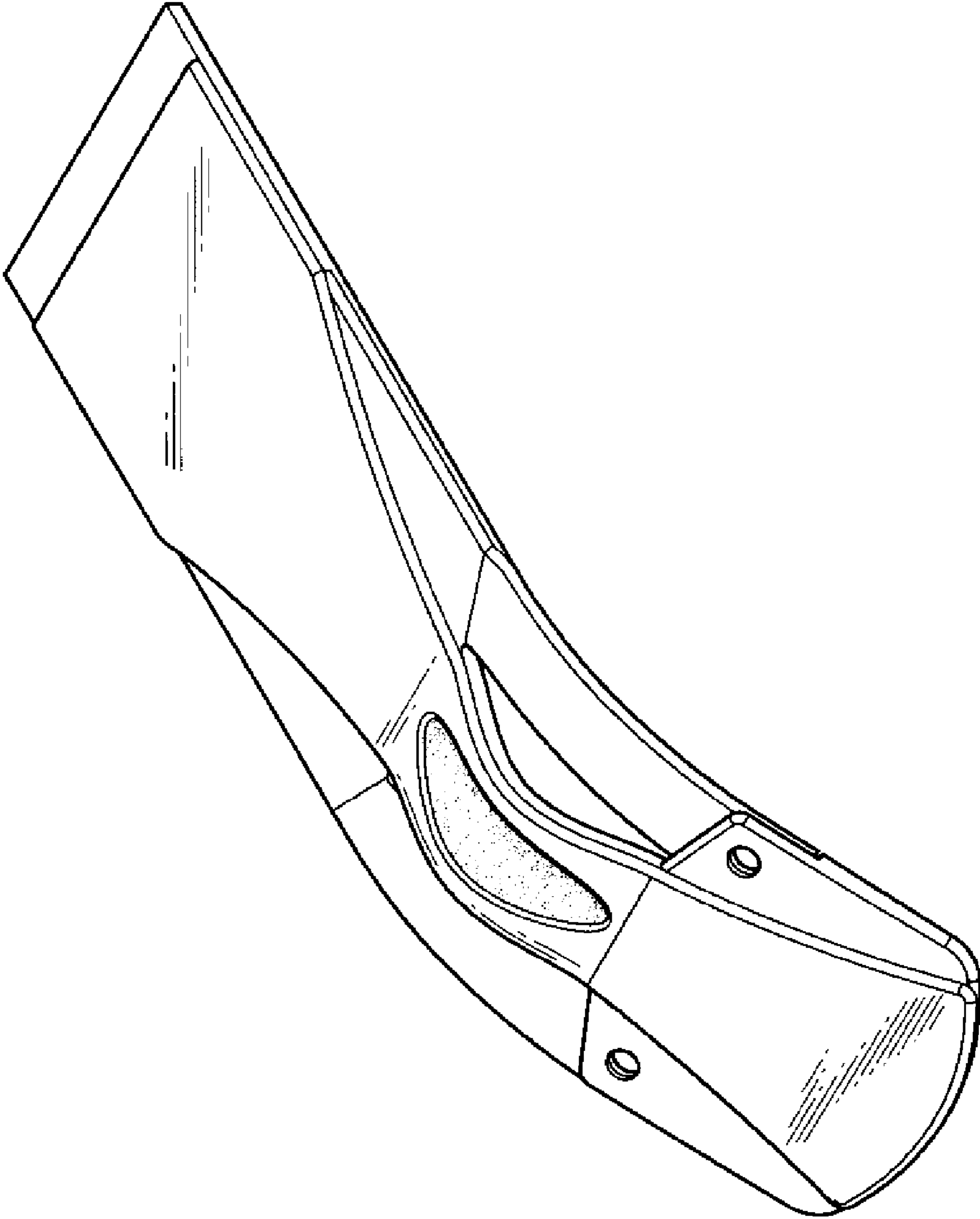


FIG. 1

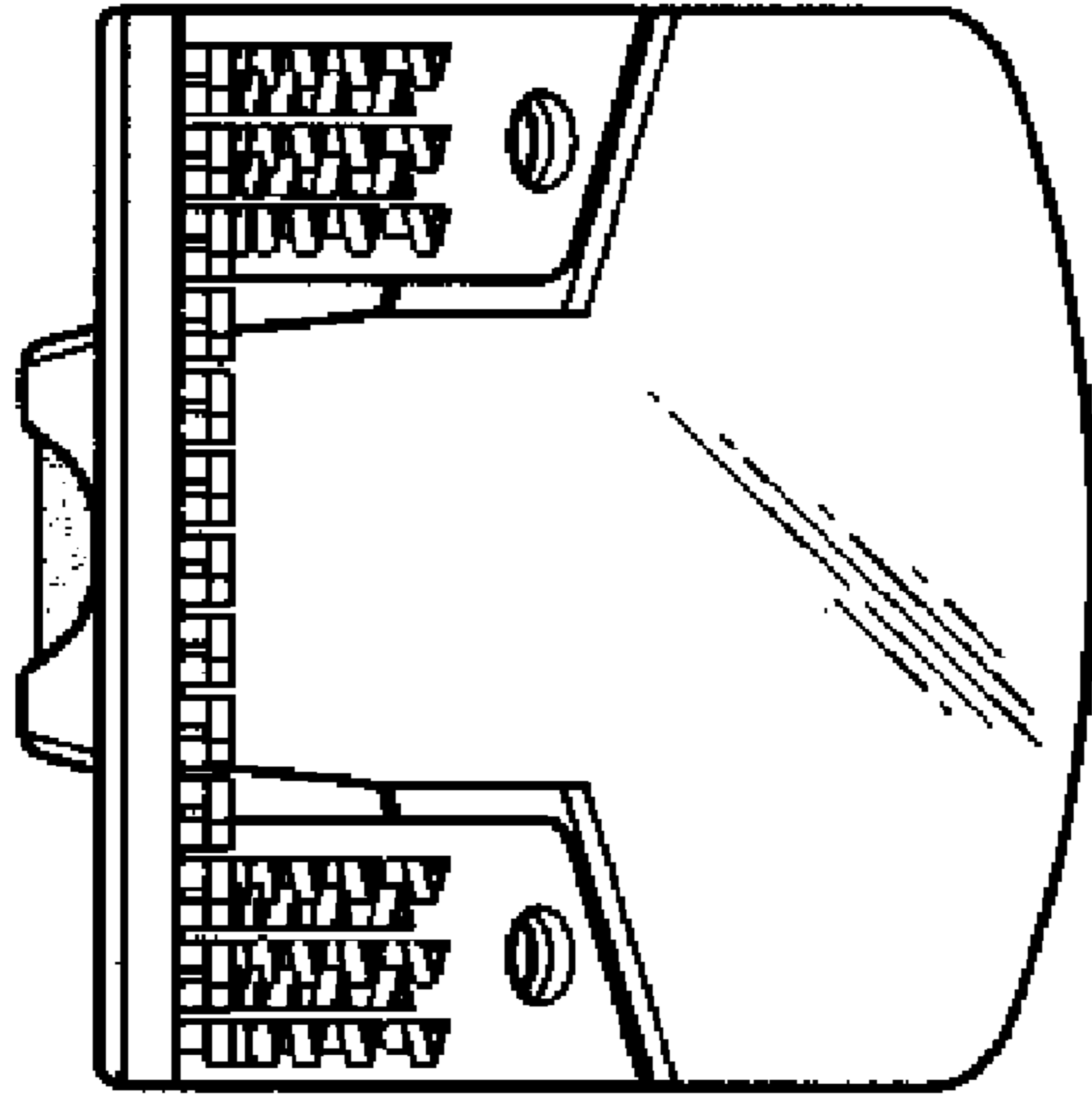


FIG. 2

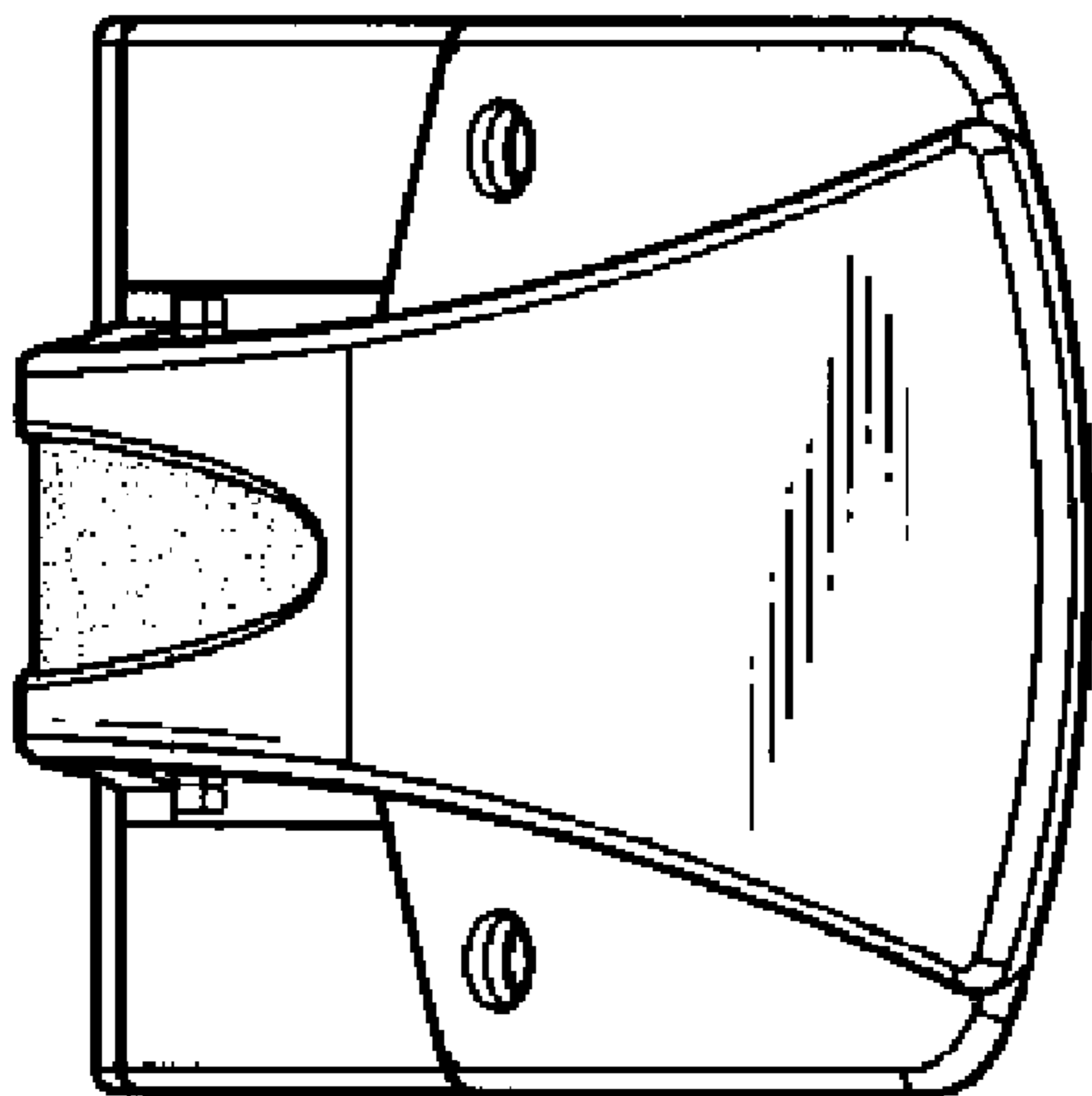


FIG. 3

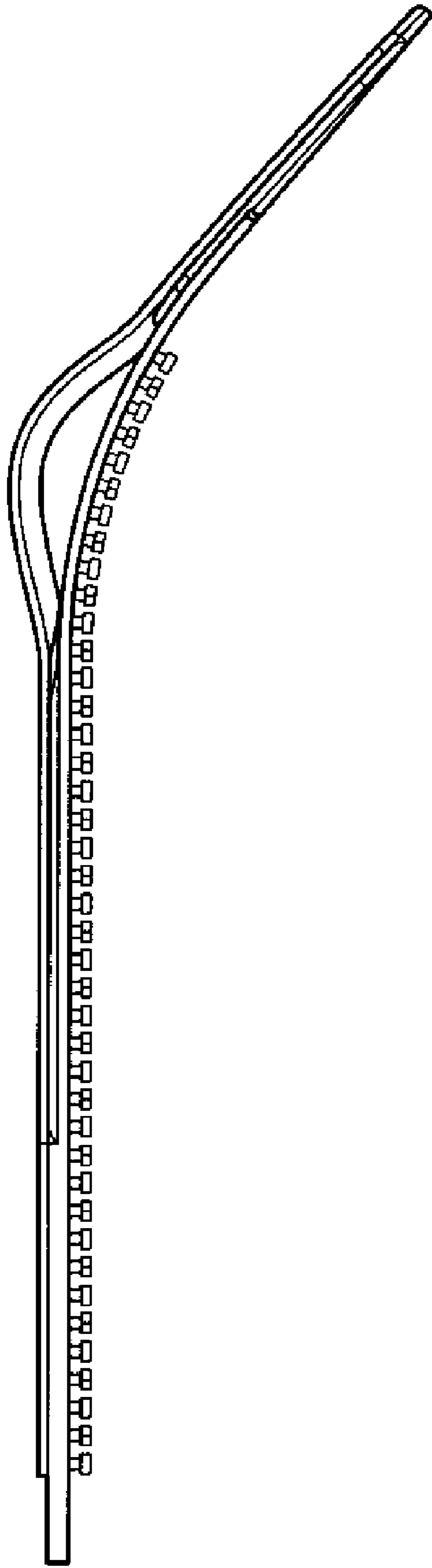


FIG. 4

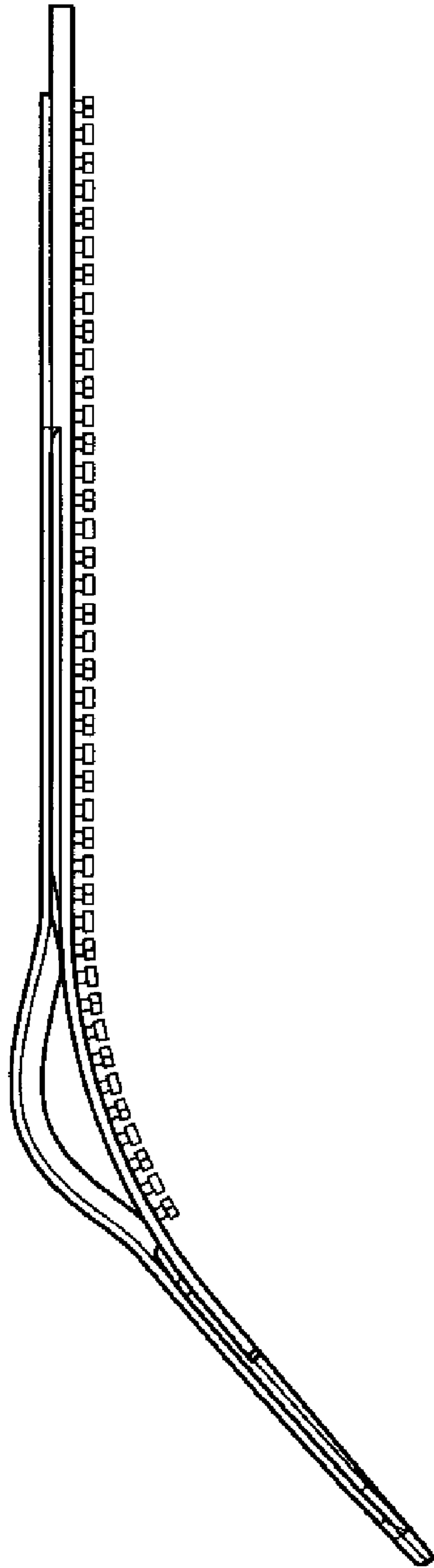


FIG. 5

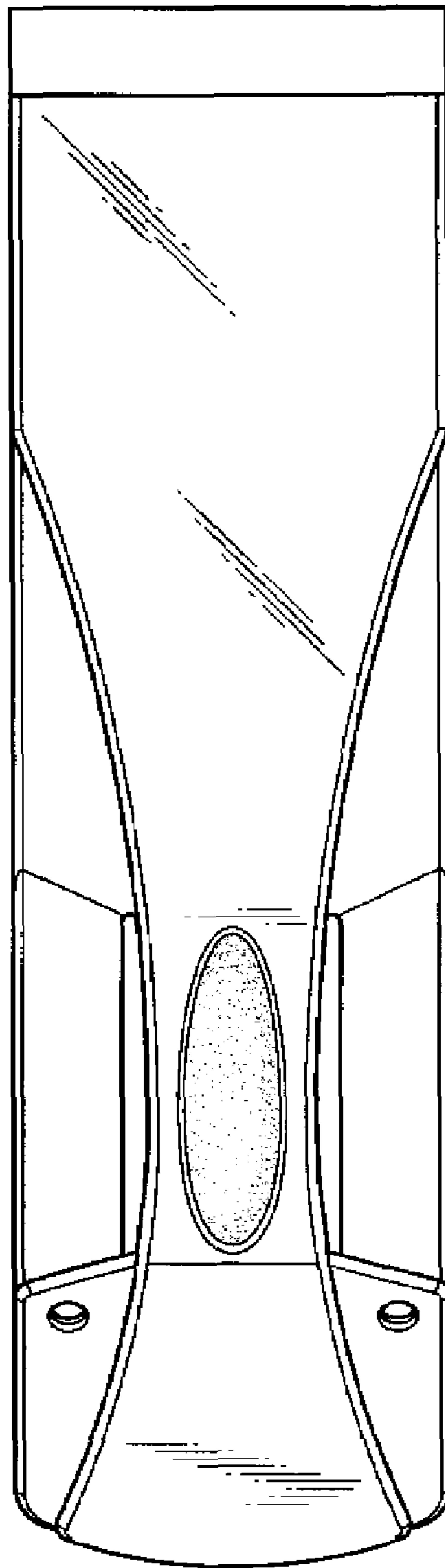


FIG. 6

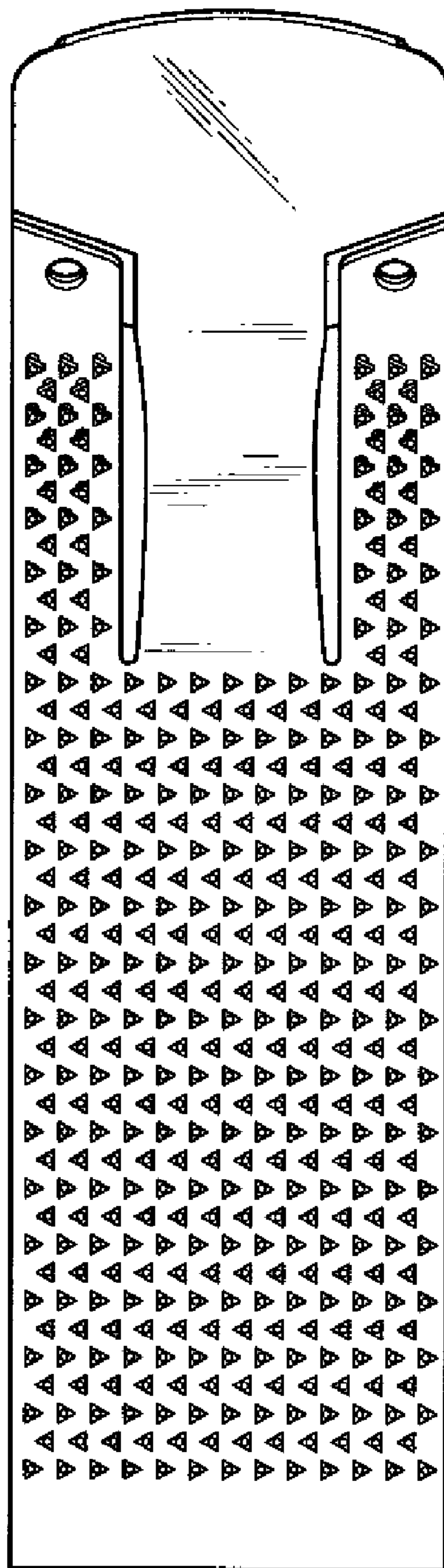


FIG. 7

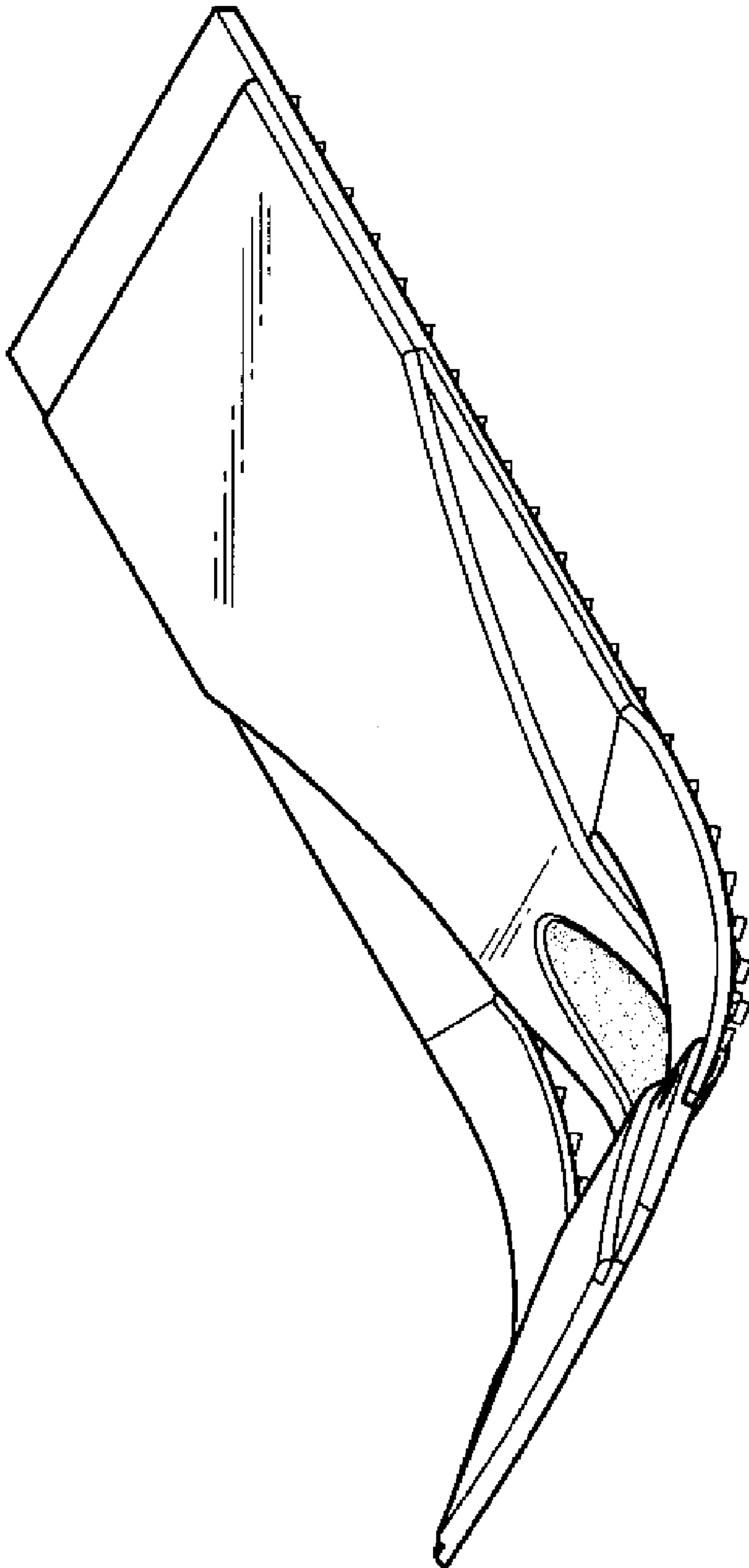


FIG. 8