



US00D612290S

(12) **United States Design Patent**
Donovan

(10) **Patent No.:** **US D612,290 S**
(45) **Date of Patent:** **** Mar. 23, 2010**

(54) **VASE**
(75) Inventor: **Pamela J. Donovan**, Memphis, TN (US)
(73) Assignee: **AquaBox USA Inc.**, Memphis, TN (US)
(**) Term: **14 Years**
(21) Appl. No.: **29/315,433**
(22) Filed: **Jun. 25, 2009**

(51) **LOC (9) Cl.** **11-02**
(52) **U.S. Cl.** **D11/155**
(58) **Field of Classification Search** D6/403-406,
D6/556-558; D8/1; D11/143-156, 164;
D19/77, 80-82, 84; D23/355, 356; D25/100;
D26/9-11, 16, 20, 22; D34/1, 2, 4-6; D99/5,
D99/19; 47/32.4, 32.5, 32.7, 33, 39, 41.01,
47/41.1, 41.11-41.15, 42-47, 65, 65.5, 65.9,
47/66.1, 66.7, 67-71
See application file for complete search history.

(56) **References Cited**

U.S. PATENT DOCUMENTS

D318,163 S * 7/1991 Chalmers D34/5
D403,613 S * 1/1999 Shaw D11/143
D409,520 S * 5/1999 Conner D11/143
D414,008 S * 9/1999 Jackson D34/6
D444,733 S * 7/2001 Tanner et al. D11/143

D446,746 S * 8/2001 Simmons D11/143
D448,909 S * 10/2001 Friesen et al. D34/39
6,672,002 B1 * 1/2004 Gumpper 47/41.01
2003/0155410 A1 8/2003 Cozens et al.
2009/0282734 A1 * 11/2009 Mirakyan 47/41.01

* cited by examiner

Primary Examiner—Caron Veynar

Assistant Examiner—Garth Rademaker

(74) *Attorney, Agent, or Firm*—John Steckler Schwab

(57) **CLAIM**

The ornamental design for a vase, as shown and described.

DESCRIPTION

FIG. 1 is a perspective view of a vase, showing the present invention;

FIG. 2 is a front view of the vase of FIG. 1, the back, right side and left side being identical thereto;

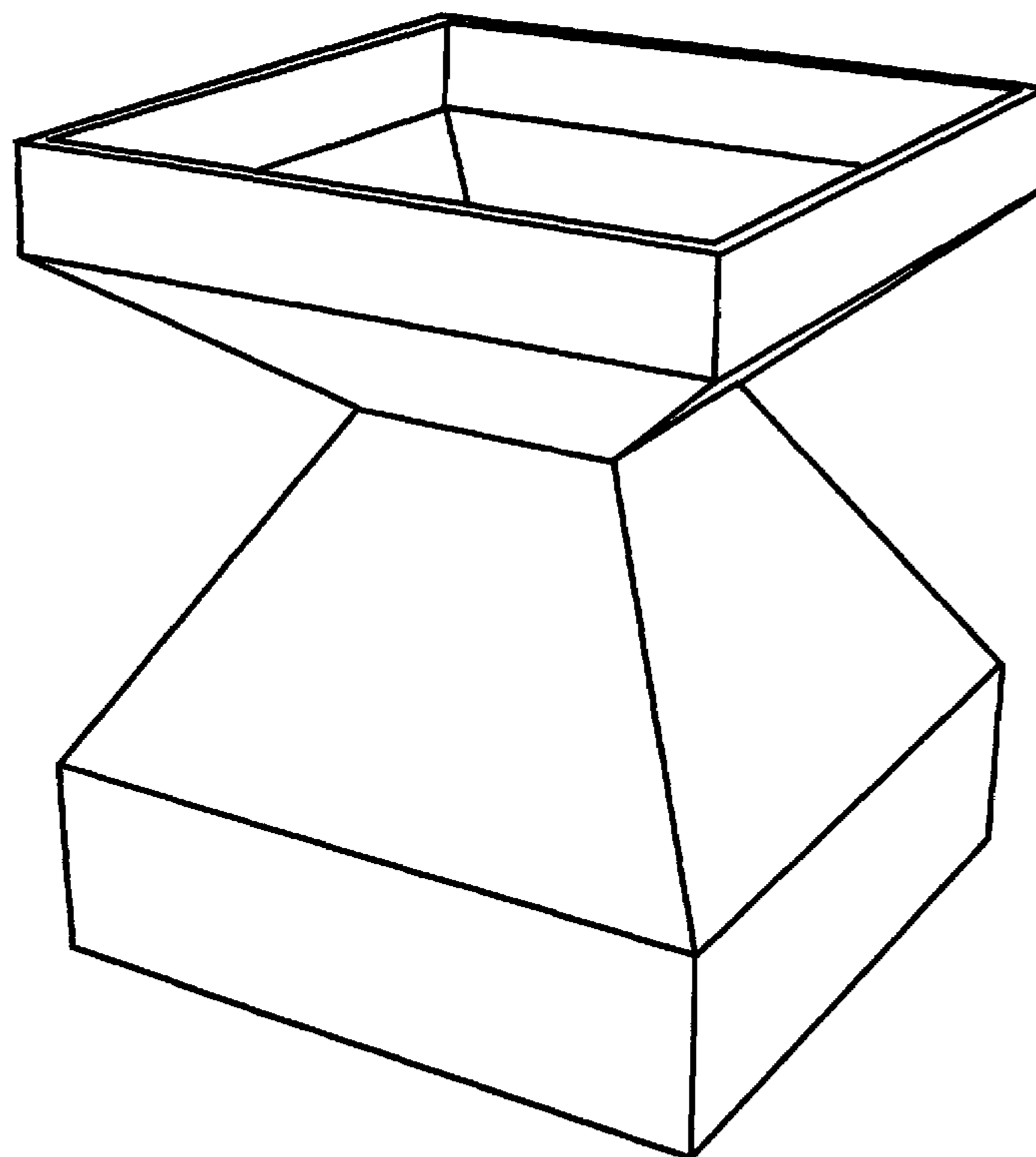
FIG. 3 is a top view of the vase of FIG. 1;

FIG. 4 is a bottom view of the vase of FIG. 1; and,

FIG. 5 is side view rotated 45-degrees in the horizontal plane of the vase of FIG. 1.

The broken lines in FIG. 4 depict environmental subject matter only and form no part of the claimed design.

1 Claim, 5 Drawing Sheets



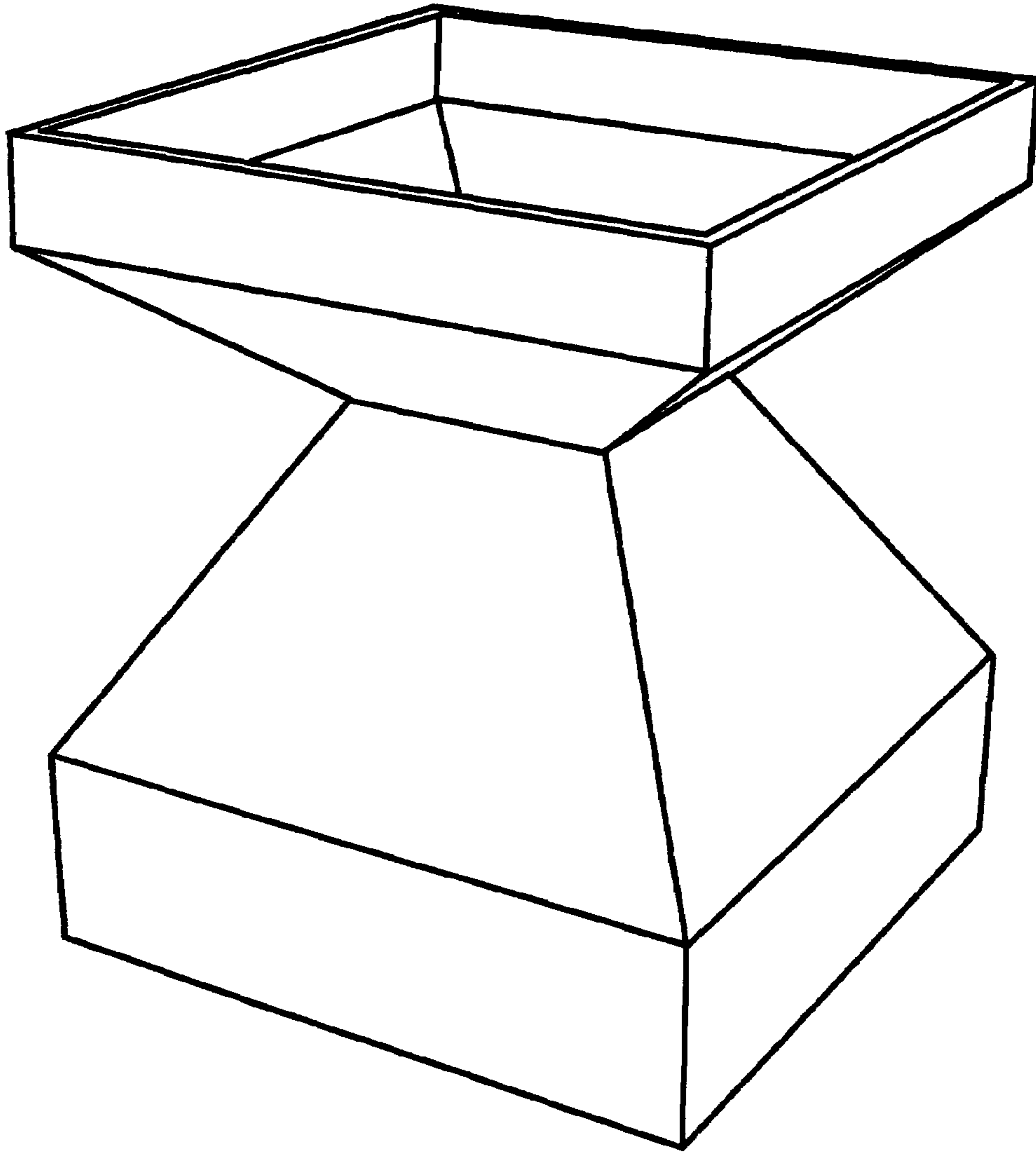


FIG. 1

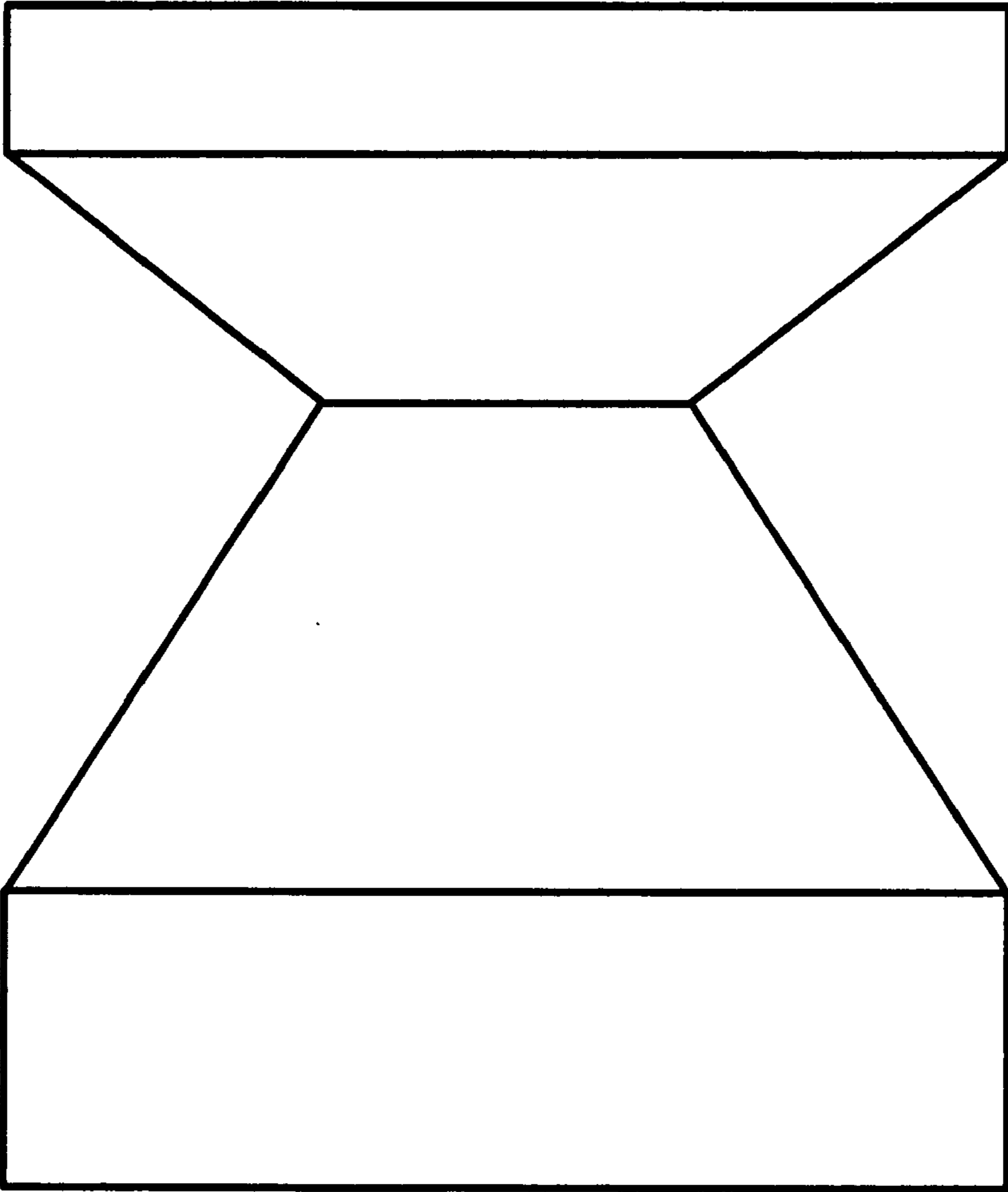


FIG. 2

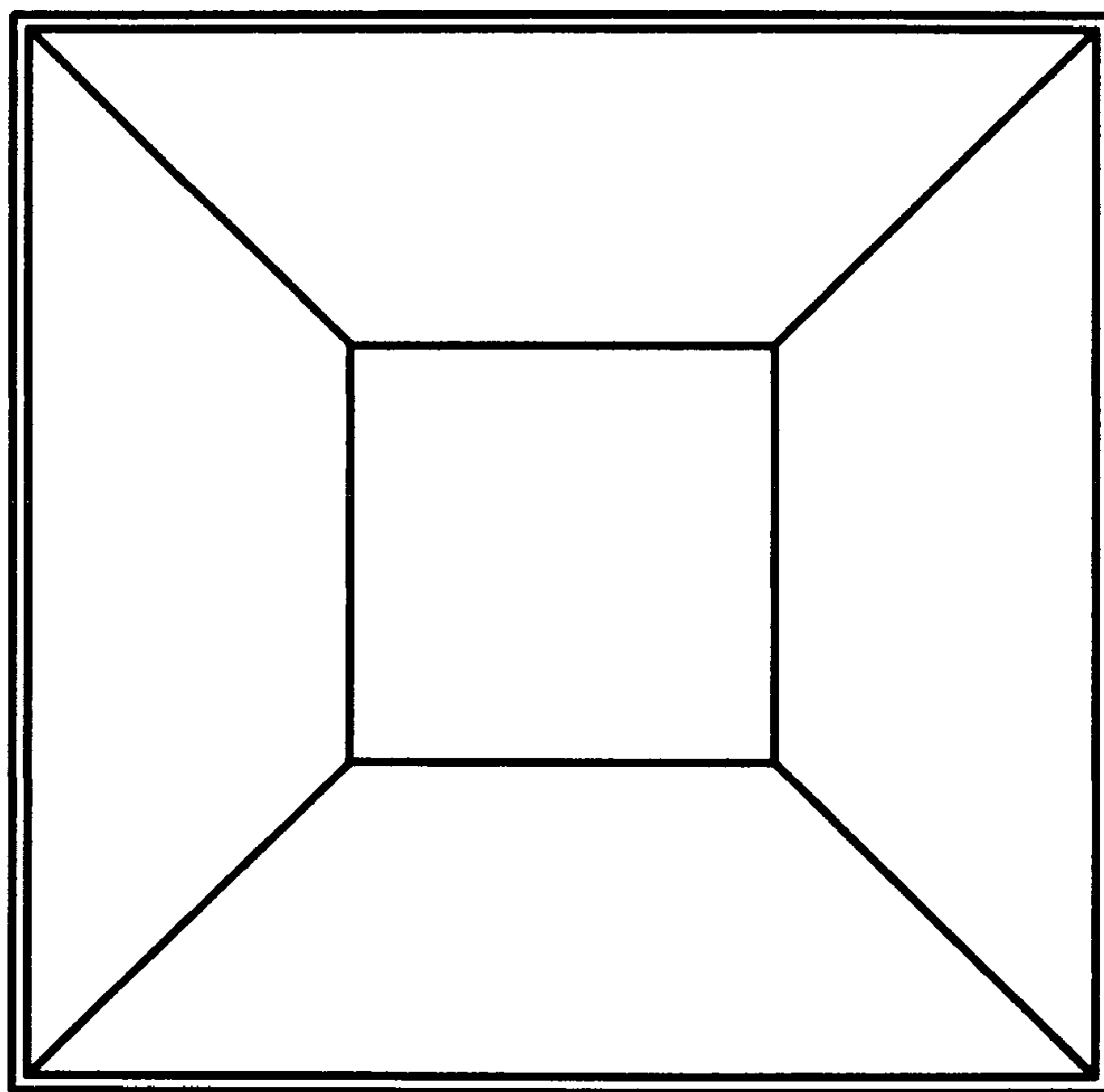


FIG. 3

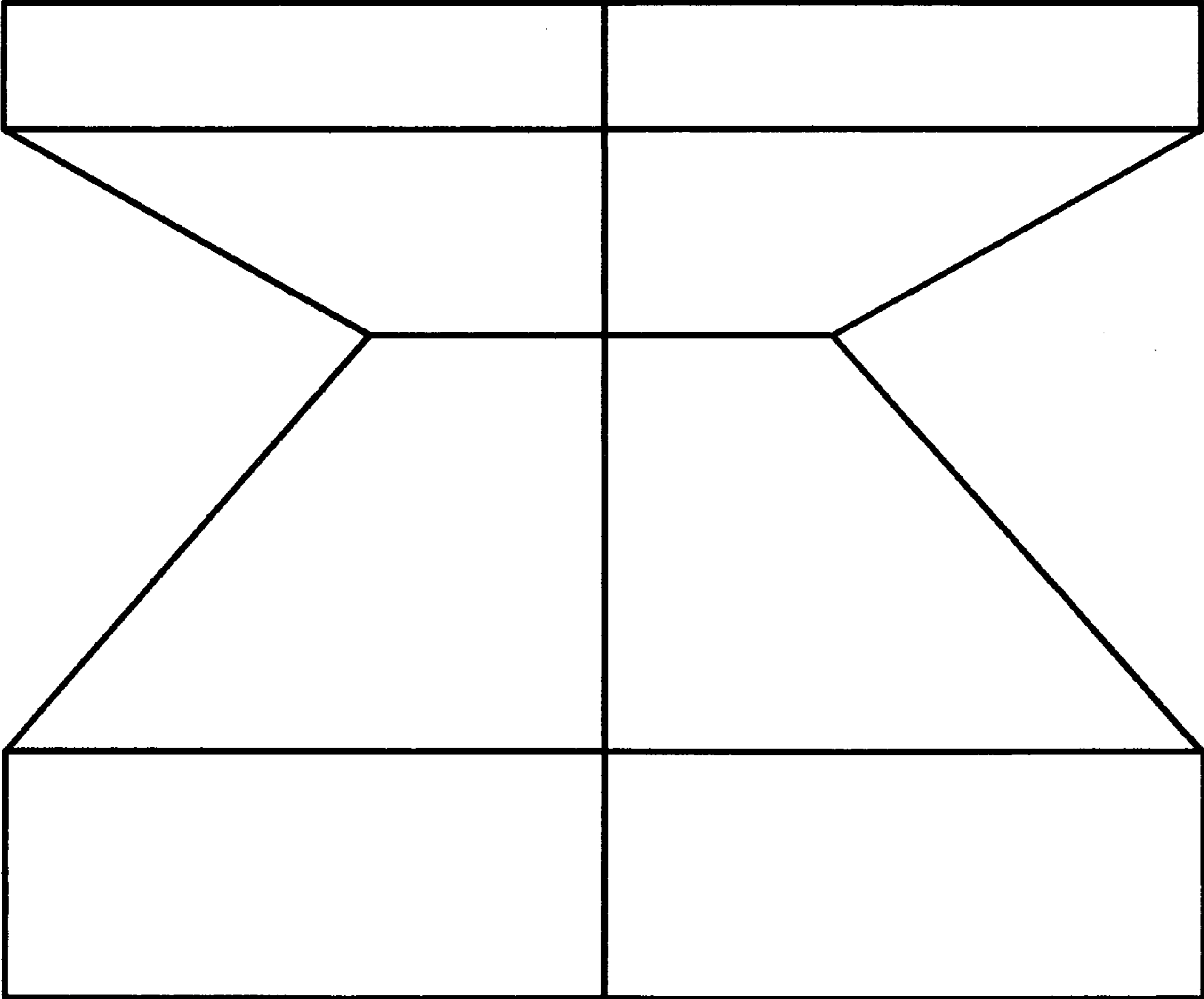


FIG. 5