



US00D612282S

(12) **United States Design Patent**
Iacomucci

(10) **Patent No.:** **US D612,282 S**
(45) **Date of Patent:** **** Mar. 23, 2010**

(54) **BRACELET**

(75) Inventor: **Luca Iacomucci**, Pesaro (IT)

(73) Assignee: **Cartier Creation Studio SA**, Geneva (CH)

(**) Term: **14 Years**

(21) Appl. No.: **29/340,199**

(22) Filed: **Jul. 15, 2009**

(30) **Foreign Application Priority Data**

Jan. 15, 2009 (WO) DM/071 399

(51) **LOC (9) Cl.** **11-01**

(52) **U.S. Cl.** **D11/4**

(58) **Field of Classification Search** D11/1-25,
D11/26-39, 52, 82, 100; 63/15, 15.1, 15.2,
63/15.3, 15.4, 15.45, 15.5, 15.6, 15.65, 15.7,
63/15.8, 26, 27, 28, 3, 3.1, 3.2, 13
See application file for complete search history.

(56) **References Cited**

U.S. PATENT DOCUMENTS

D31,659 S * 10/1899 Finn D2/604
D56,359 S * 10/1920 Hambaugh D11/4
D131,585 S * 3/1942 Barbieri D11/4
D131,586 S * 3/1942 Barbieri D11/4
D160,429 S * 10/1950 Philippe D11/4
D268,487 S * 4/1983 Kolman D11/4

5,115,646 A * 5/1992 Bishop 63/9
D346,600 S * 5/1994 Grasso D11/3
D536,633 S * 2/2007 Arlanda D11/30

OTHER PUBLICATIONS

Tiger Bracelet by Kenneth J. Lane. http://www.patriciafield.com/ProductImages/Kennethj_merch/KennethJTiger_Large.gif
Accessed Nov. 4, 2009.*
Tiger Bracelet. <http://www.cooljools.com/images/cinertigerbracelet4.jpg> Accessed Nov. 4, 2009.*

* cited by examiner

Primary Examiner—Cathron C Brooks

Assistant Examiner—Melanie Levy

(74) *Attorney, Agent, or Firm*—Kalow & Springut, LLP;
Scott D. Locke, Esq.

(57) **CLAIM**

The ornamental design for a bracelet, as shown and described.

DESCRIPTION

FIG. 1 is a front perspective view of the bracelet.

FIG. 2 is a front view of the bracelet.

FIG. 3 is a left view of the bracelet.

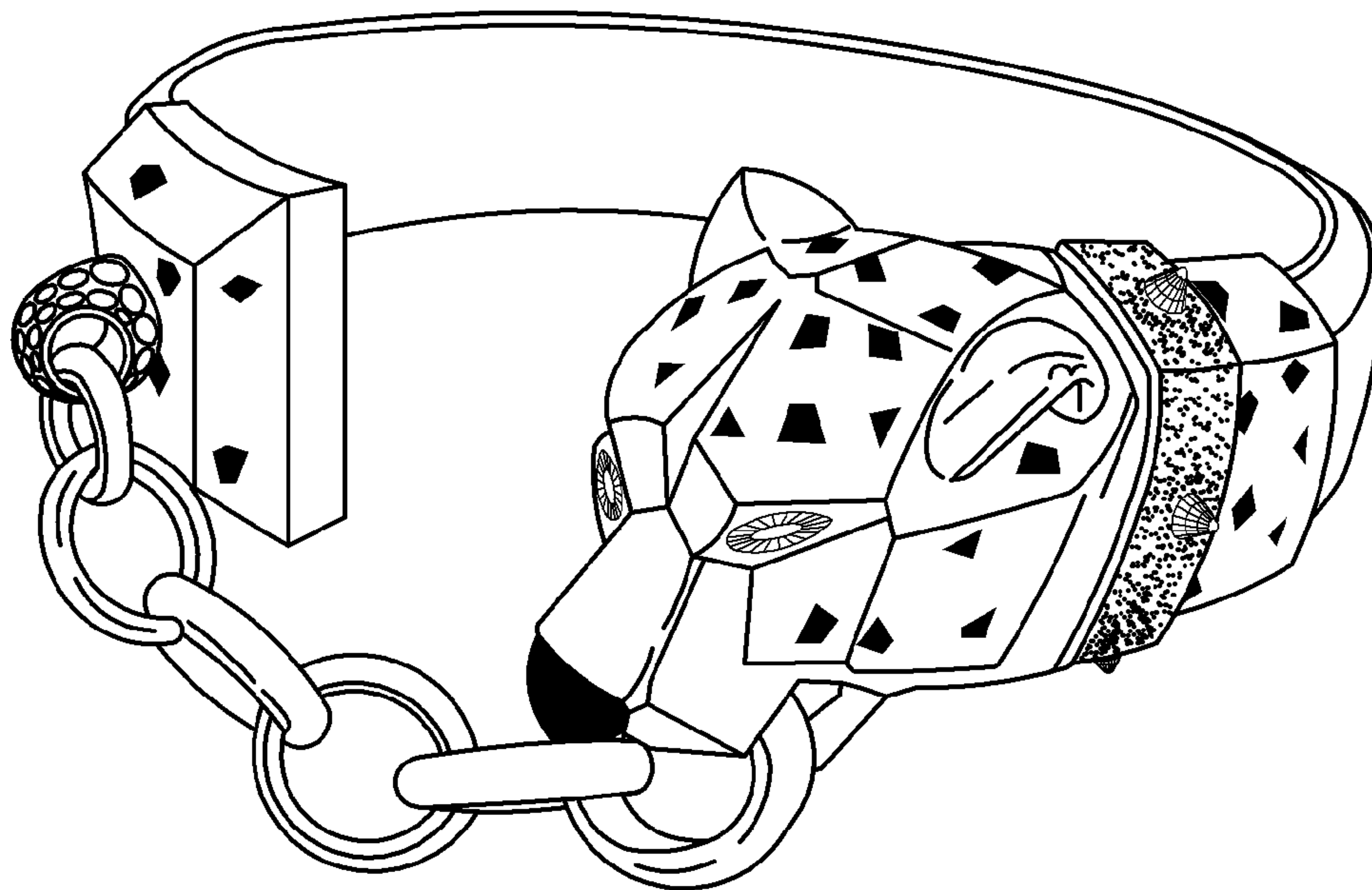
FIG. 4 is a right view of the bracelet.

FIG. 5 is a top view of the bracelet.

FIG. 6 is a bottom view of the bracelet; and,

FIG. 7 is a rear view of the bracelet.

1 Claim, 4 Drawing Sheets



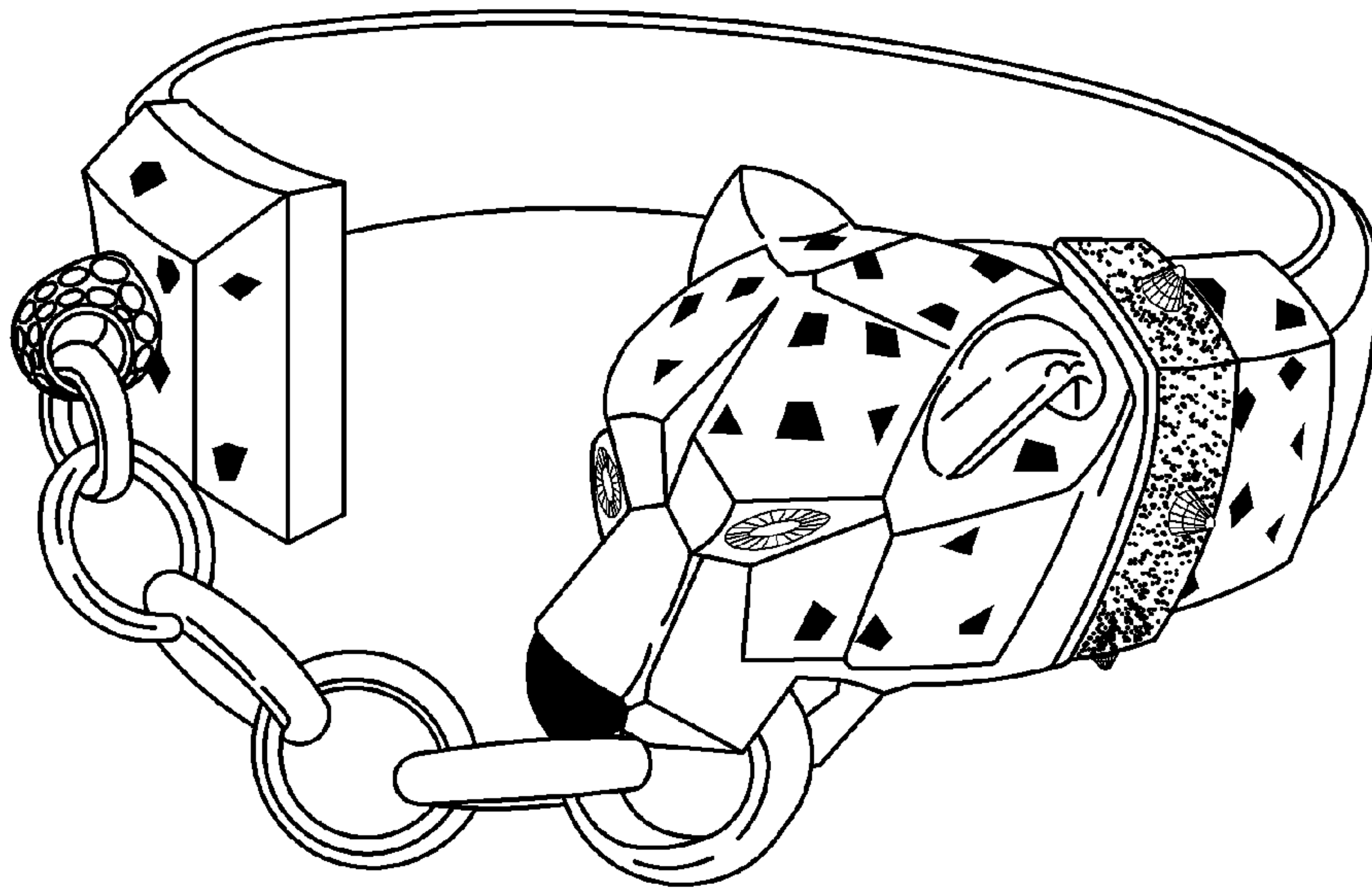


FIG. 1

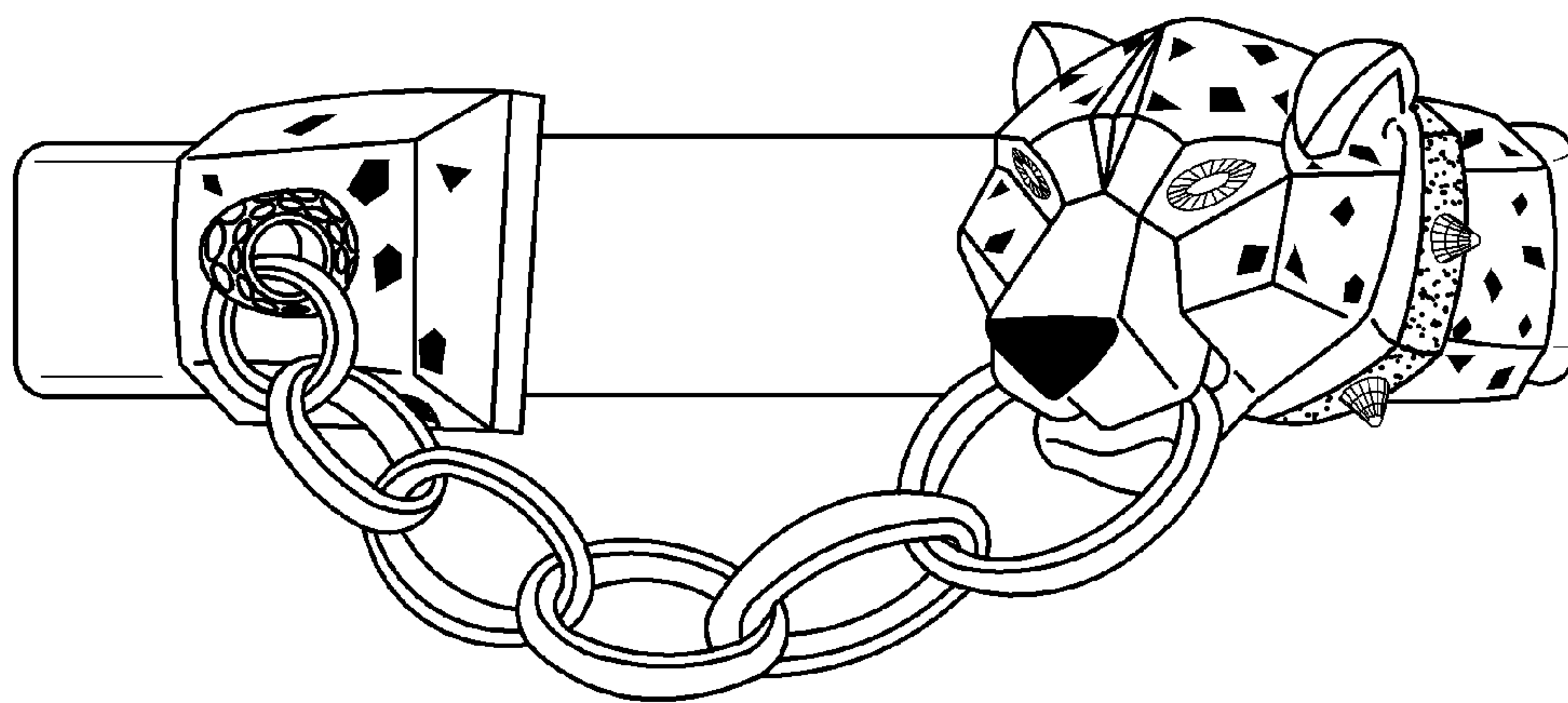
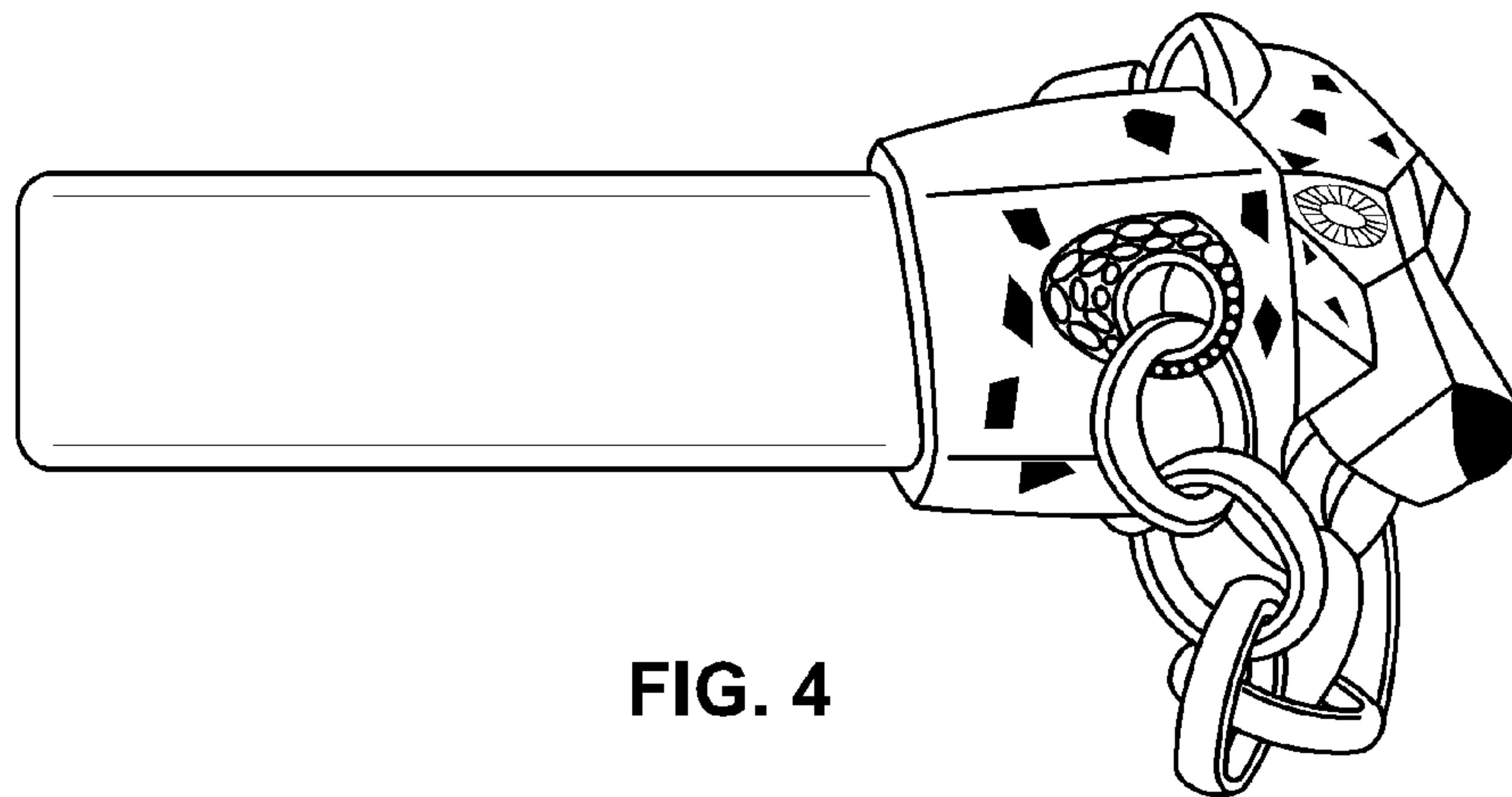
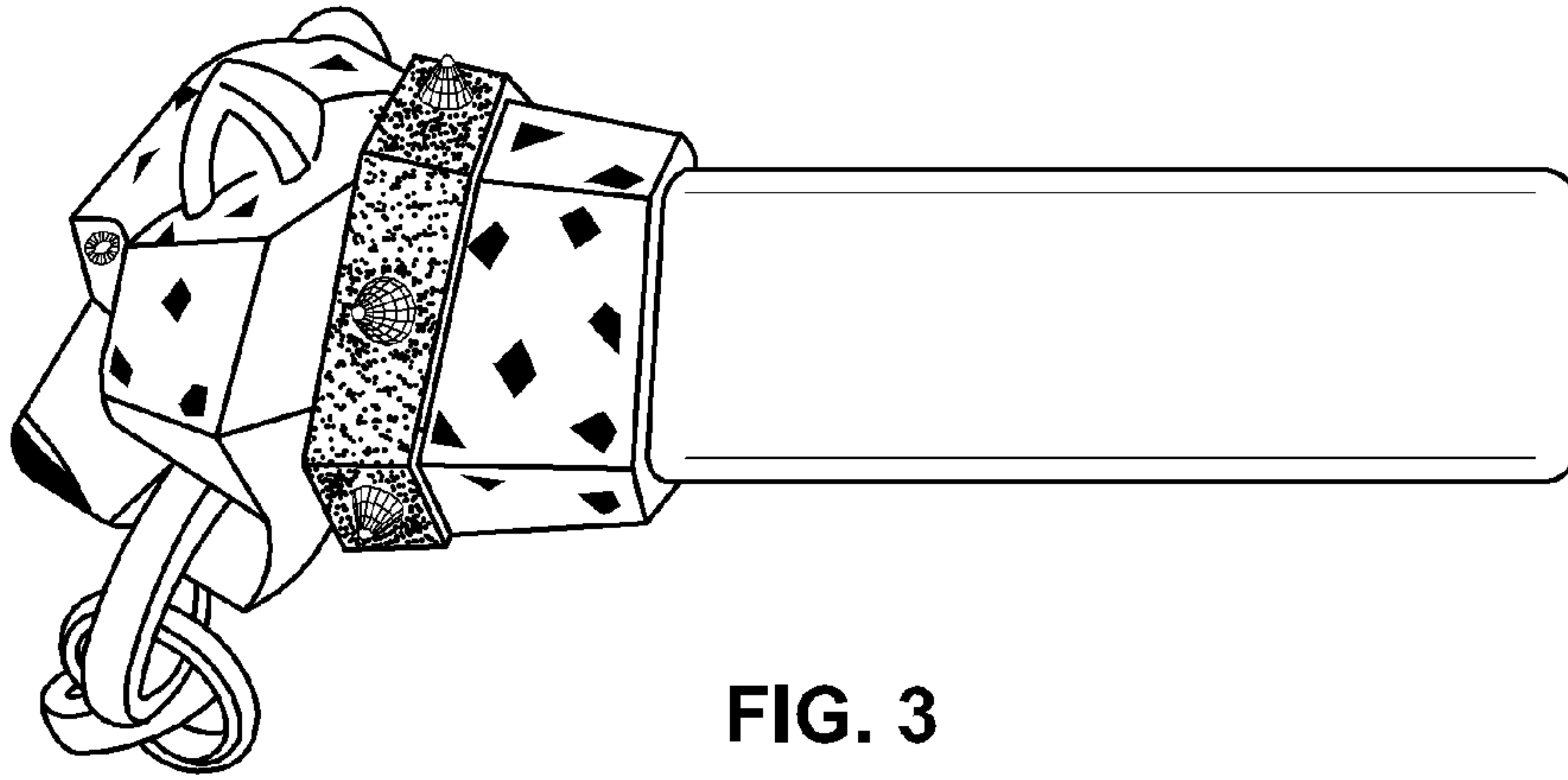


FIG. 2



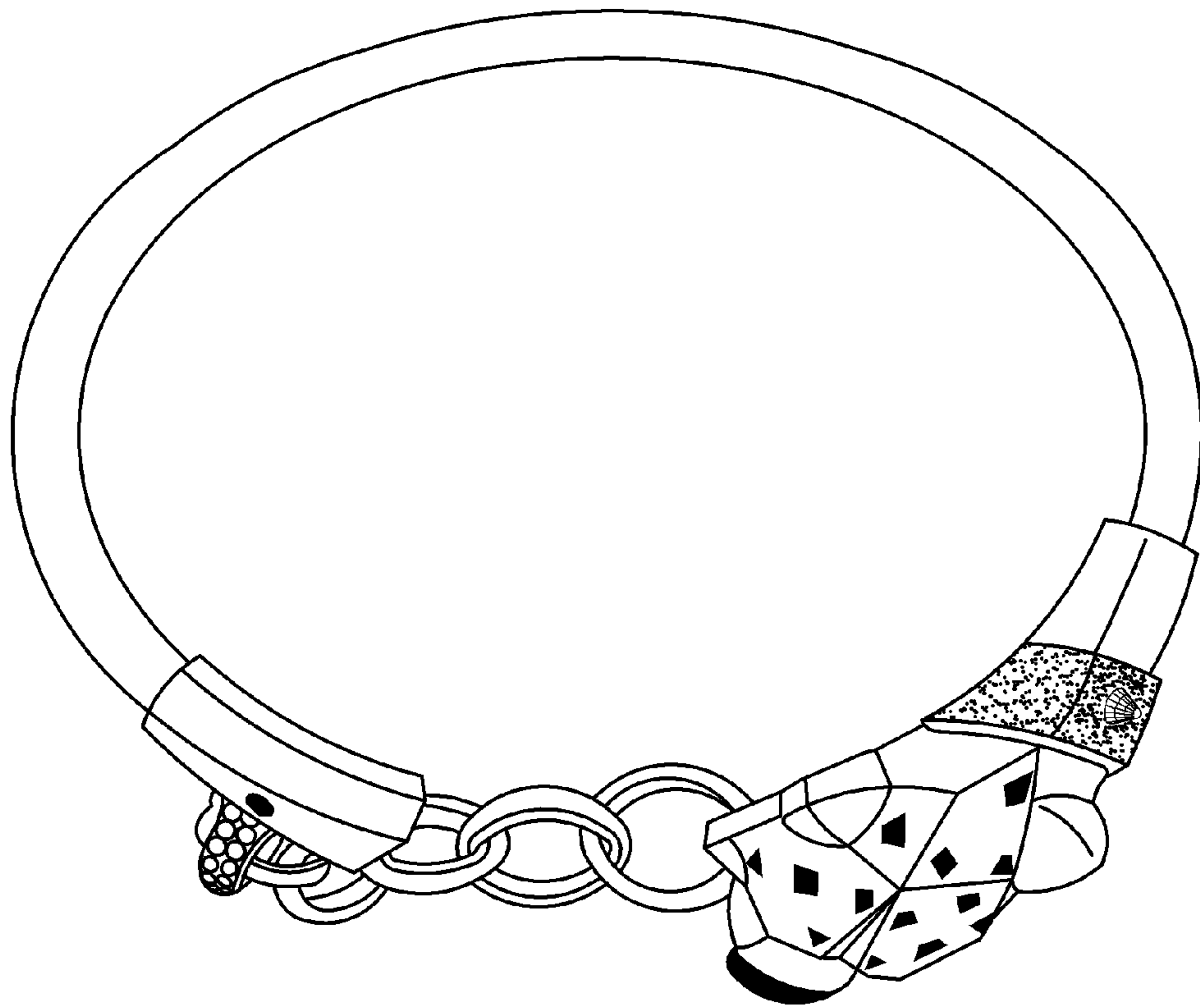


FIG. 5

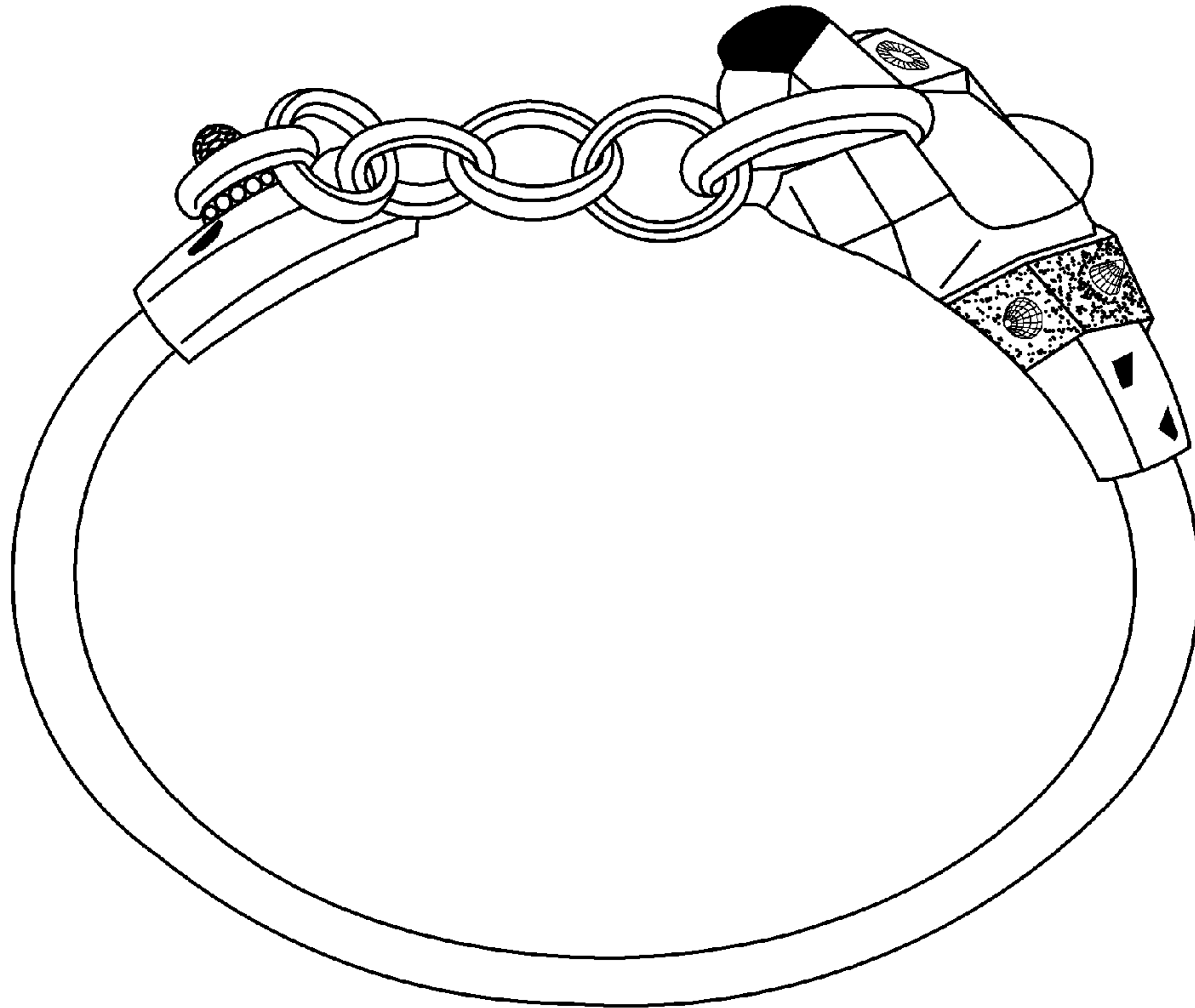


FIG. 6

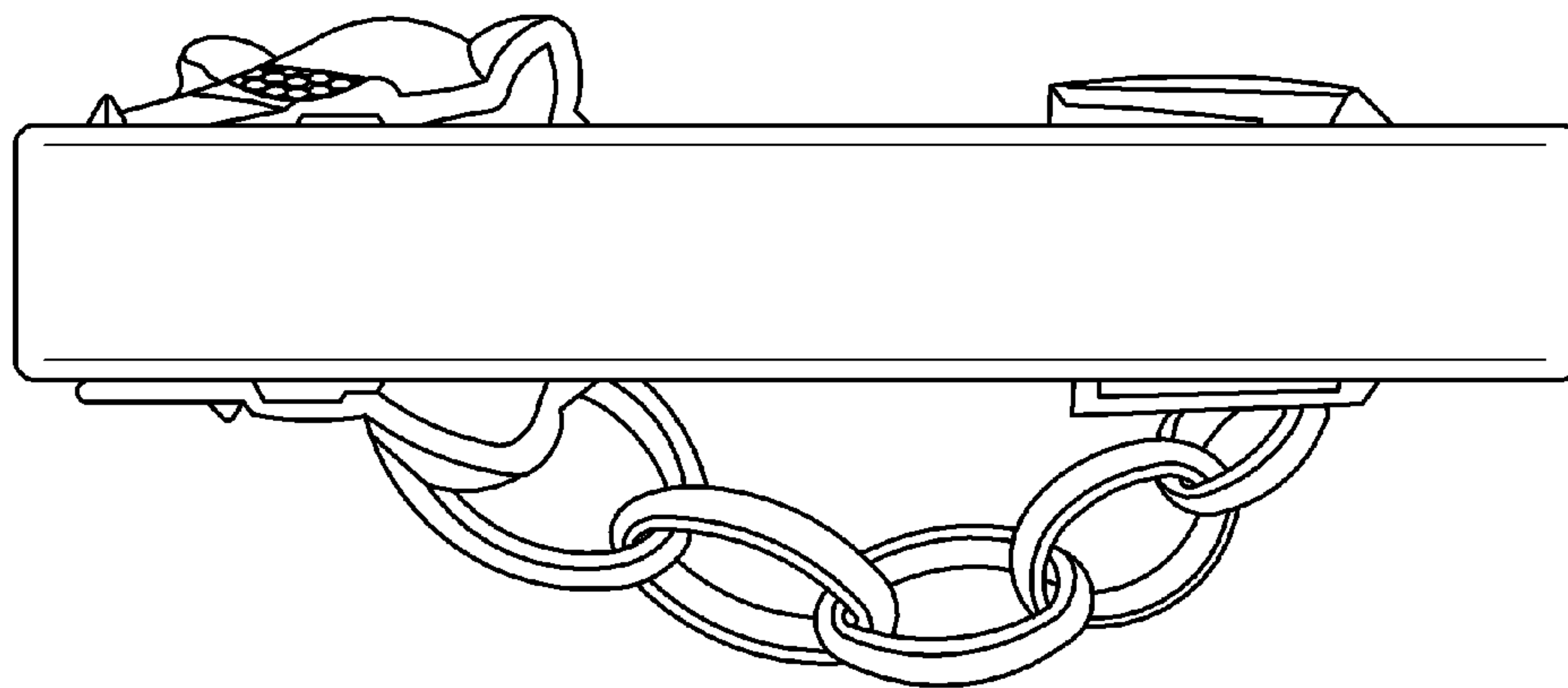


FIG. 7