



US00D612280S

(12) **United States Design Patent**
Ikehata

(10) **Patent No.:** **US D612,280 S**
(45) **Date of Patent:** **** Mar. 23, 2010**

(54) **BASE FOR A FIRE DETECTOR**

(75) Inventor: **Toshiyuki Ikehata**, Tokyo (JP)

(73) Assignee: **Nohmi Bosai Ltd.**, Tokyo (JP)

(**) Term: **14 Years**

(21) Appl. No.: **29/345,917**

(22) Filed: **Oct. 23, 2009**

Related U.S. Application Data

(62) Division of application No. 29/334,425, filed on Mar. 26, 2009, now Pat. No. Des. 605,964.

(30) **Foreign Application Priority Data**

Sep. 30, 2008 (JP) 2008-025207
Sep. 30, 2008 (JP) 2008-025208

(51) **LOC (9) Cl.** **10-05**

(52) **U.S. Cl.** **D10/106**

(58) **Field of Classification Search** D10/104,
D10/106; 340/521, 540, 541, 542, 543, 544,
340/545, 555, 556, 558, 571, 572, 573; 392/423;
134/21; 362/276; 428/192; 178/99.1
See application file for complete search history.

(56) **References Cited**

U.S. PATENT DOCUMENTS

5,403,198 A 4/1995 Koganemaru et al.

5,751,218 A * 5/1998 Winterble et al. 340/693.6
6,433,700 B1 * 8/2002 Malewski et al. 340/693.11
D596,974 S * 7/2009 Watson D10/104
2007/0230142 A1 * 10/2007 Engel et al. 361/748
2009/0085727 A1 * 4/2009 Yamano 340/384.4

* cited by examiner

Primary Examiner—Caron Veynar

Assistant Examiner—George D Kirschbaum

(74) *Attorney, Agent, or Firm*—Van Dyke, Gardner, Linn & Burkhardt, LLP

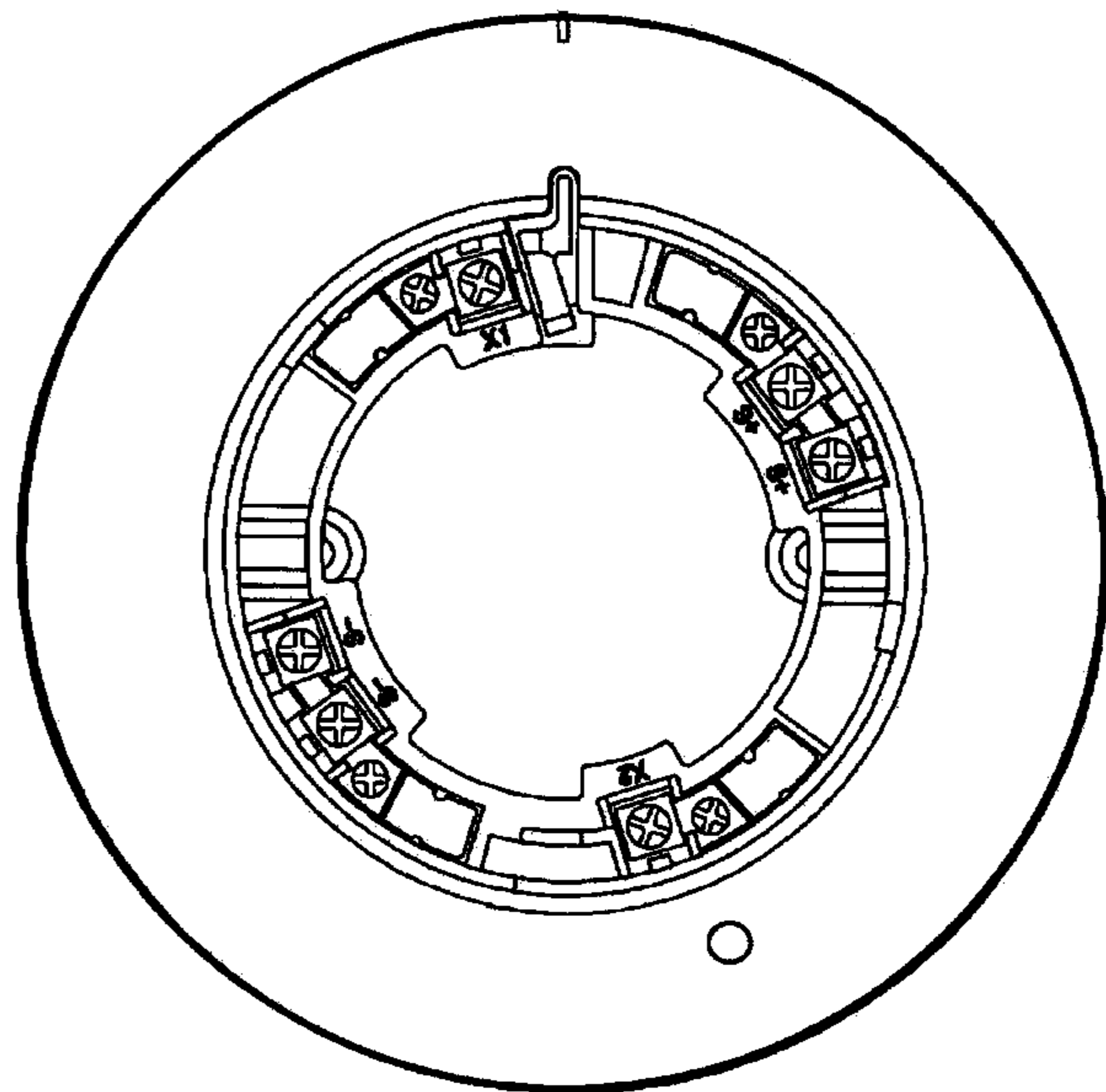
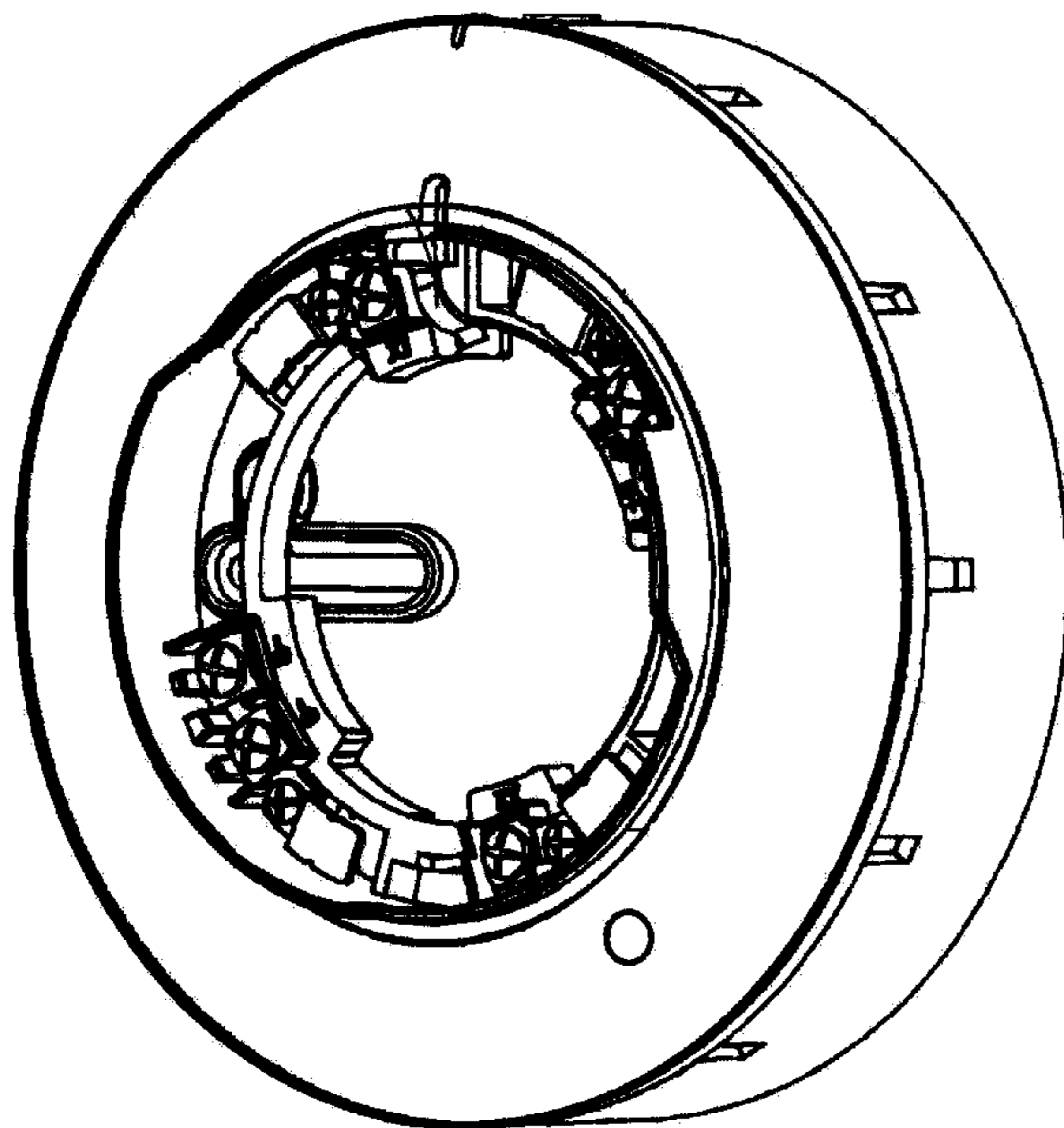
(57) **CLAIM**

The ornamental design for the base for a fire detector, substantially as shown and described.

DESCRIPTION

FIG. 1 is a perspective view of the base for a fire detector of the present invention illustrated with a hole for a pilot lamp; FIG. 2 is a front elevation view of the base of FIG. 1; FIG. 3 is a rear elevation view of the base of FIG. 1; FIG. 4 is a right-side elevation view of the base of FIG. 1; FIG. 5 is a left-side elevation view of the base of FIG. 1; FIG. 6 is a top plan view of the base of FIG. 1; and, FIG. 7 is a bottom plan view of the base of FIG. 1.

1 Claim, 7 Drawing Sheets



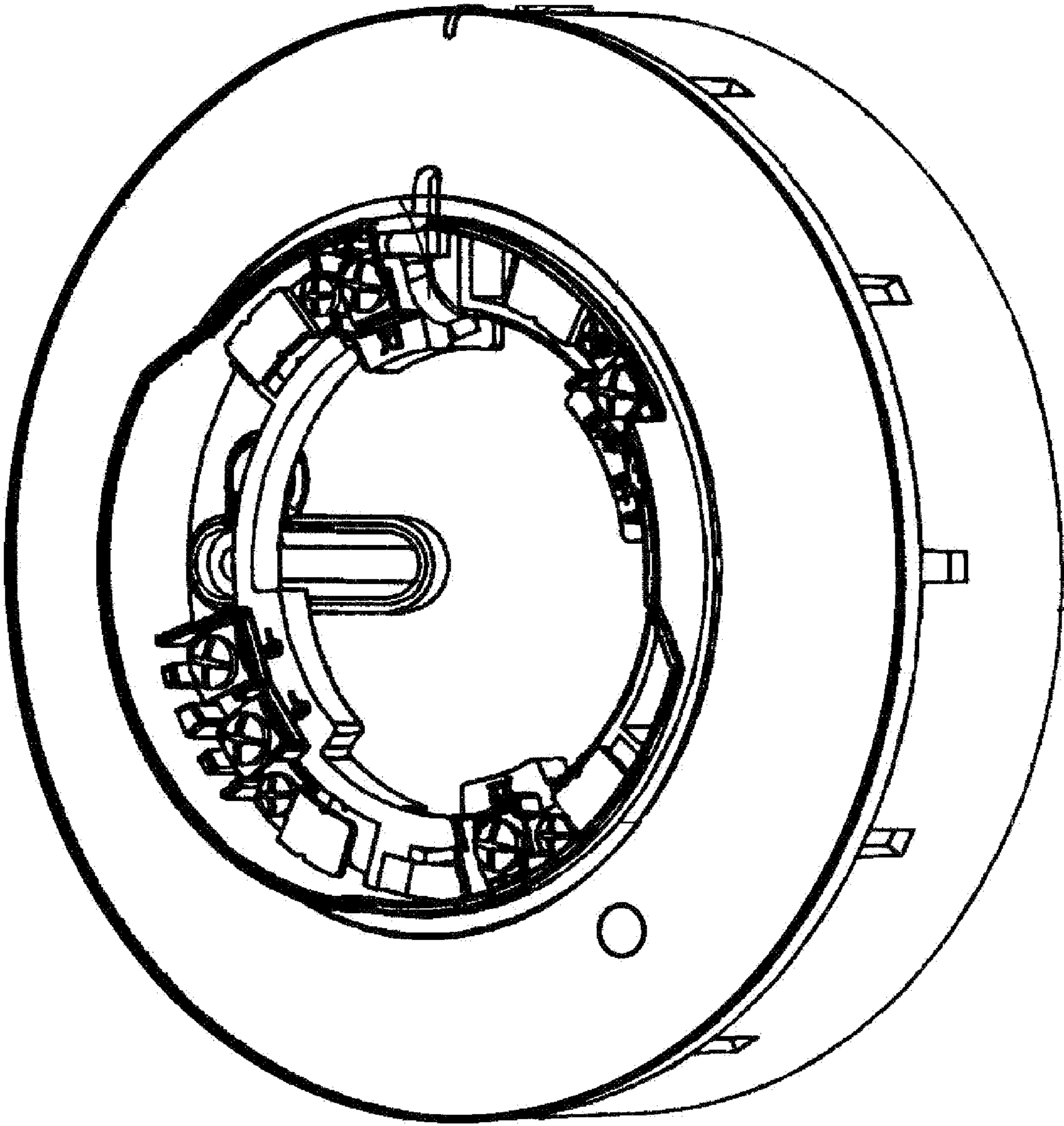


FIG. 1

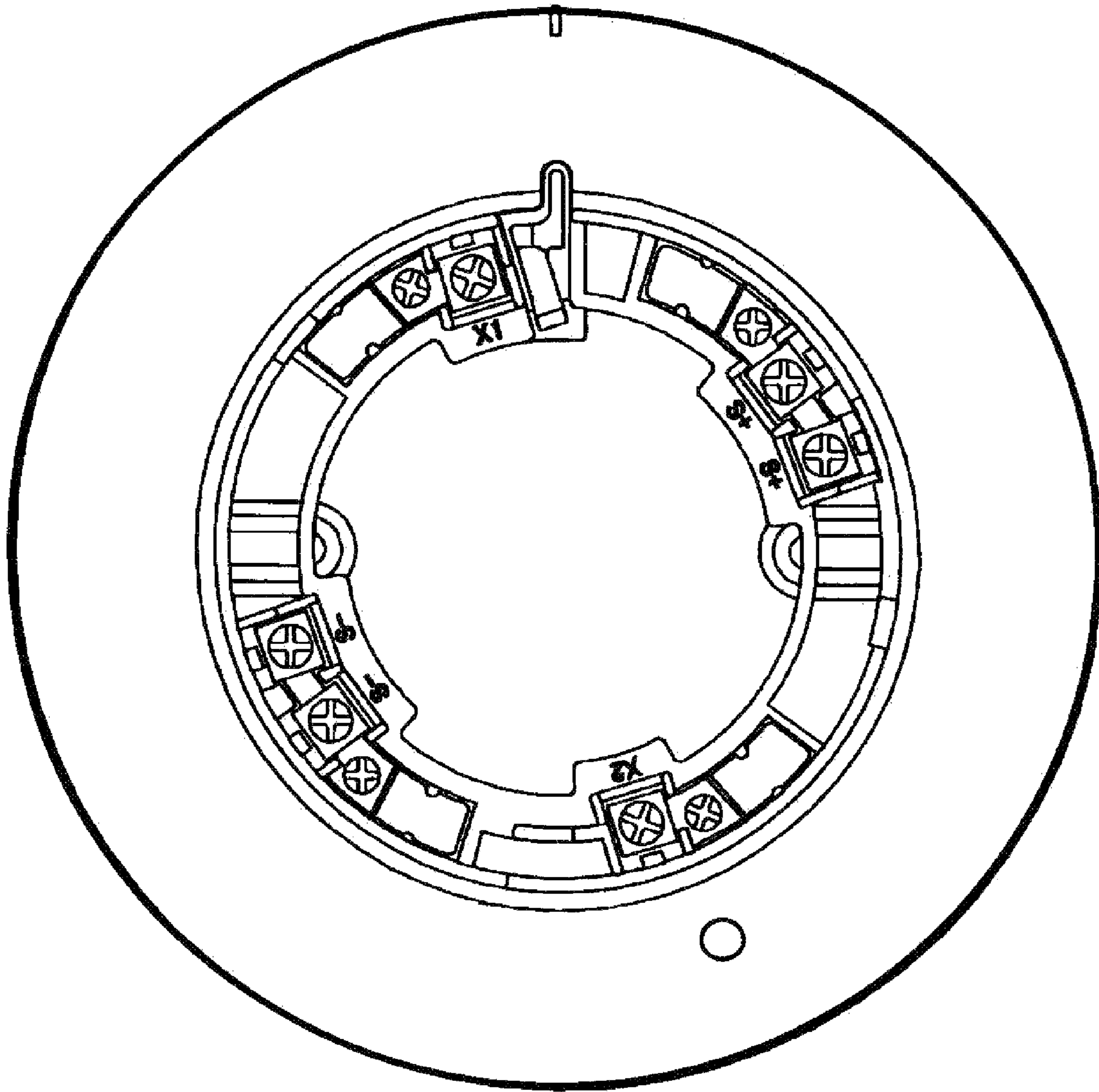


FIG. 2

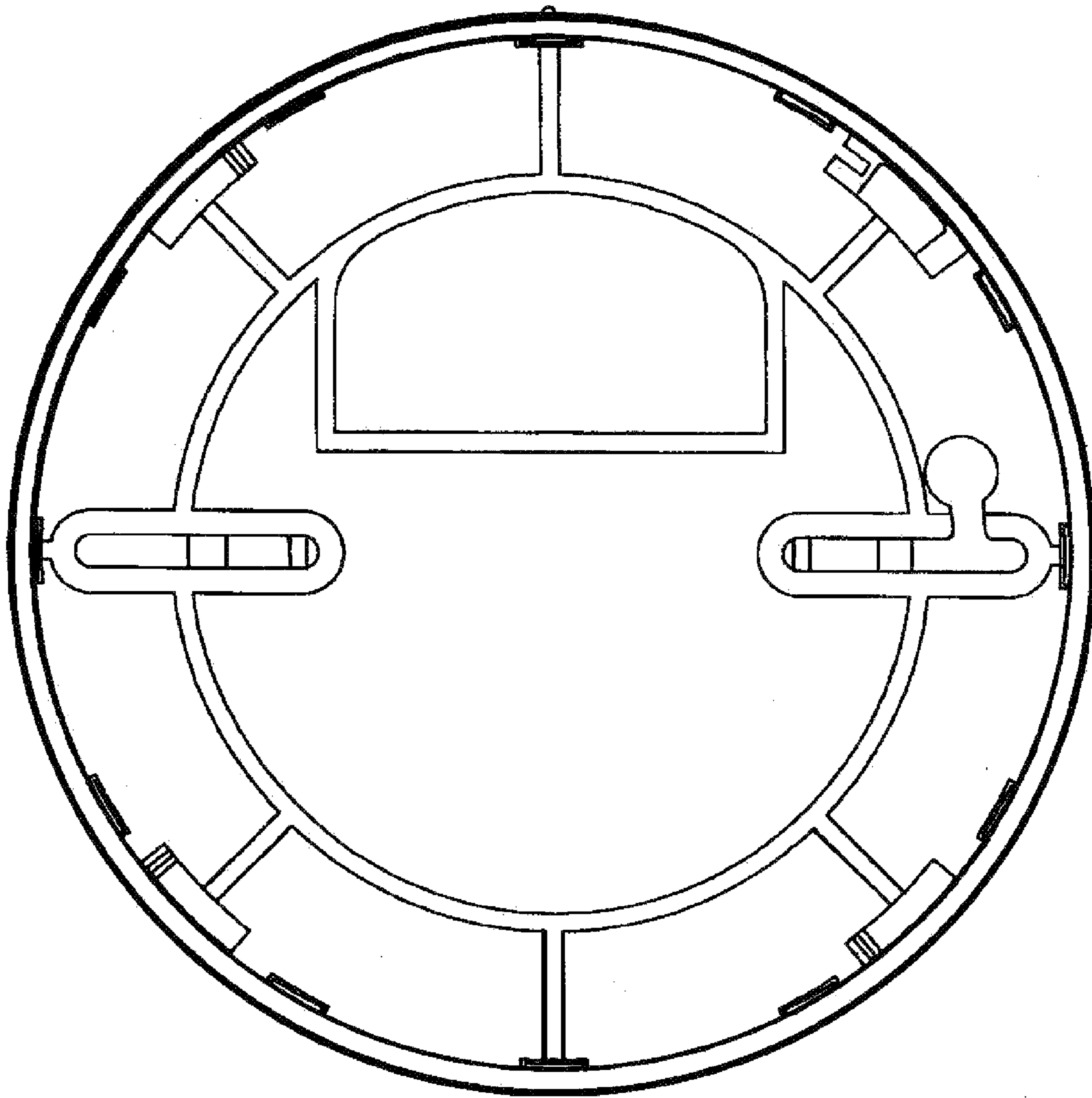


FIG. 3

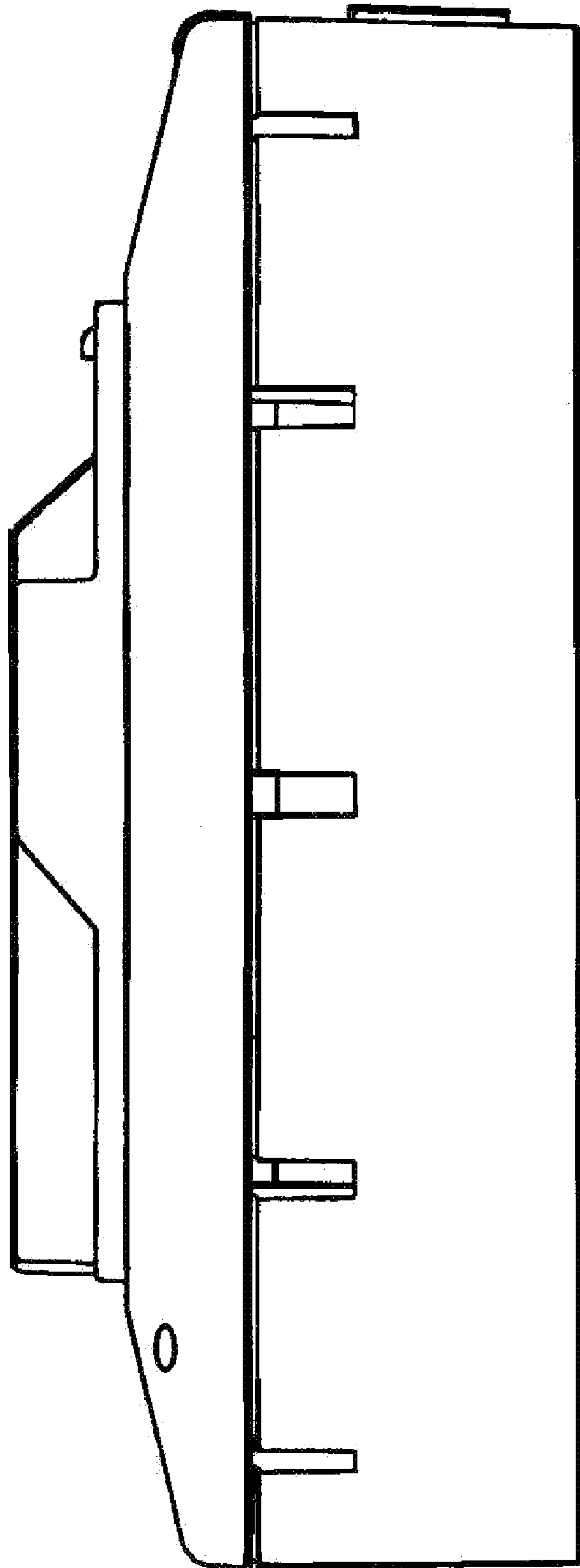


FIG. 4

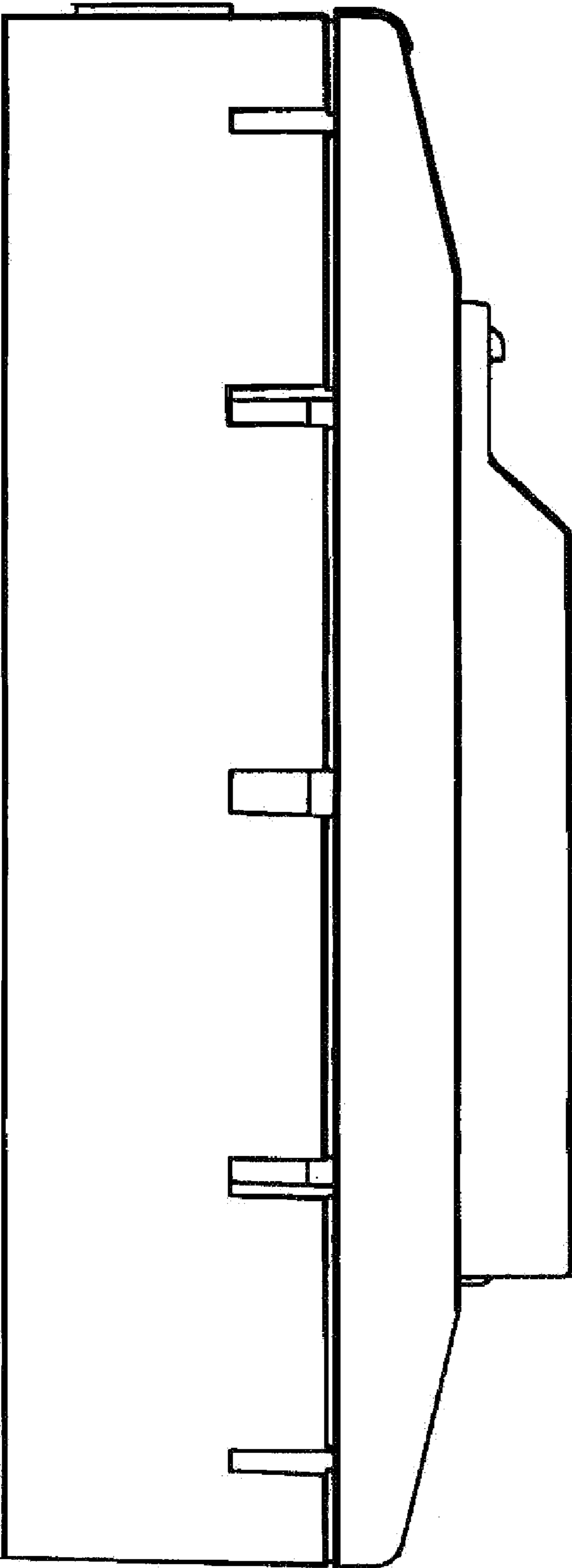


FIG. 5

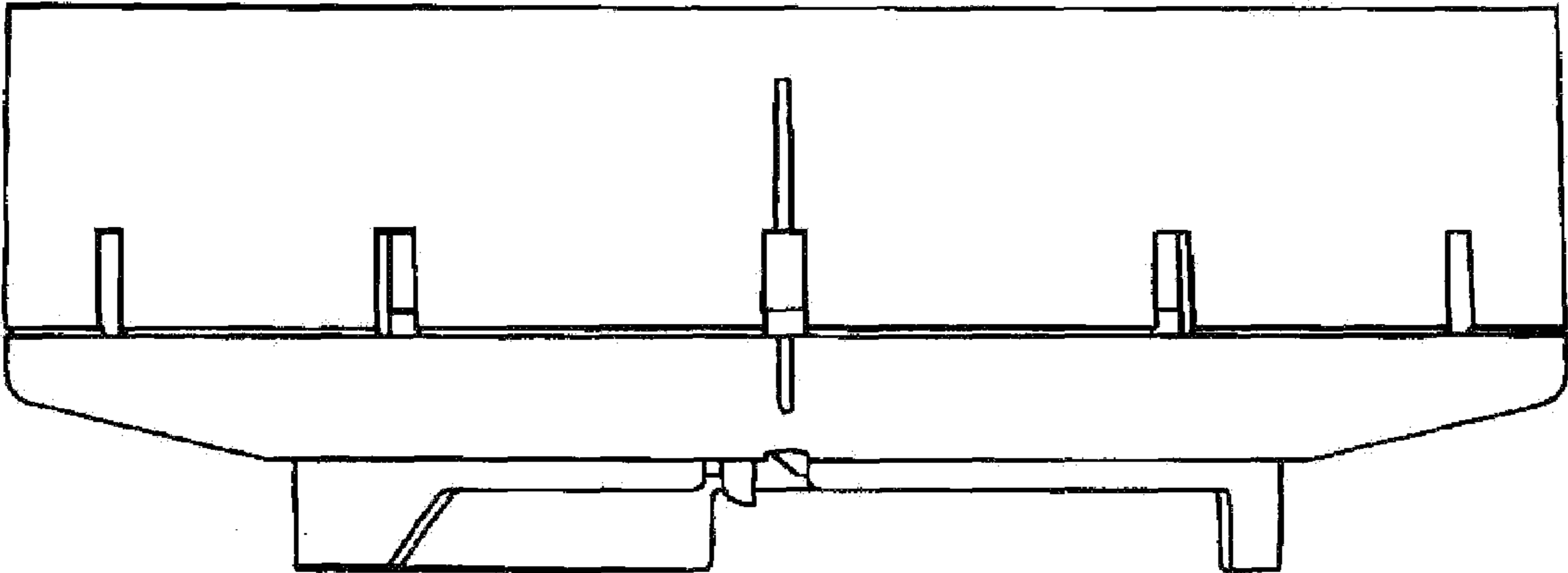


FIG. 6

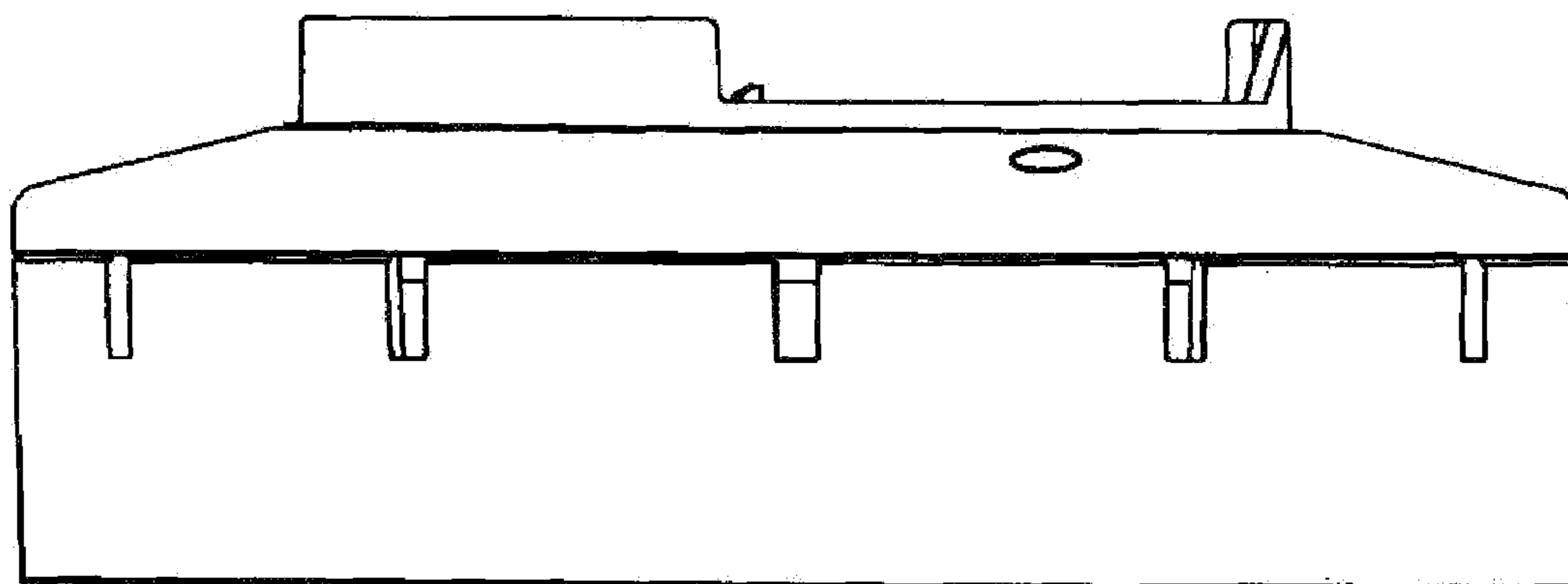


FIG. 7