

US00D612279S

(12) **United States Design Patent**
Heidemann et al.

(10) **Patent No.:** **US D612,279 S**
(45) **Date of Patent:** **** *Mar. 23, 2010**

(54) **USER INTERFACE IN AN ANALYTE METER**

D281,148 S 10/1985 Highstreet
D282,448 S 2/1986 Hall
D287,946 S 1/1987 Tsuyama
D288,542 S 3/1987 Tsuyama
D292,610 S 11/1987 Nelson
D302,393 S 7/1989 Falconer

(75) Inventors: **Karen Heidemann**, Zug (CH); **Anton Petkov**, Zug (CH); **Mel Chiba**, San Jose, CA (US); **Charles Henry Blevins**, Milpitas, CA (US); **Michele Monico**, Segrate, MI (US); **Adelio Bolognesi**, Como (IT); **Allan Orr**, Westhill (GB)

(Continued)

(73) Assignee: **Lifescan Scotland Limited**, Scotland (GB)

FOREIGN PATENT DOCUMENTS

DE 4315532 A1 11/1993

(**) Term: **14 Years**

(Continued)

(21) Appl. No.: **29/302,575**

OTHER PUBLICATIONS

(22) Filed: **Jan. 18, 2008**

Owner's Booklet, "One Touch Ultra2 Blood Glucose Monitoring System"; 2005 LifeScan, Inc., Milpitas, CA 95035 Rev. Jan. 2007.

(51) **LOC (9) Cl.** **10-04**

(Continued)

(52) **U.S. Cl.** **D10/103; D10/78; D10/81**

Primary Examiner—Antoine D Davis

(58) **Field of Classification Search** D10/78,
D10/81, 103; D24/107, 186, 232; 324/72.5,
324/110, 114–115, 149, 151 A, 158 F, 156;
340/653, 660; 439/482; 422/63–68.1, 99,
422/100, 58, 61, 82.05; 423/43; 436/164,
436/166, 169, 605; 356/246

(57) **CLAIM**

We claim the ornamental design for a user interface in an analyte meter, as shown and described.

See application file for complete search history.

DESCRIPTION

(56) **References Cited**

U.S. PATENT DOCUMENTS

D243,038 S 1/1977 Ray
D243,932 S 4/1977 Warren
D247,161 S 2/1978 Fernandez et al.
D247,162 S 2/1978 Vanasco
D248,628 S 7/1978 Schwartz
D248,929 S 8/1978 Connolly
D249,479 S 9/1978 Rasmussen
D250,882 S 1/1979 Johansen
D251,114 S 2/1979 Potts
D255,335 S 6/1980 Joslin et al.
D261,739 S 11/1981 Leibson
D264,192 S 5/1982 Greenlee et al.
D264,193 S 5/1982 Greenlee et al.
D278,606 S 4/1985 Suzuki
D278,689 S 5/1985 Jupe et al.

FIG. 1 is a perspective view of the front of a user interface in an analyte test meter, as seen from one perspective;

FIG. 2 is a perspective view of the front of the user interface in the analyte test meter, as seen from another perspective;

FIG. 3 is a top plan view thereof;

FIG. 4 is a front elevational view thereof;

FIG. 5 is a rear elevational view thereof;

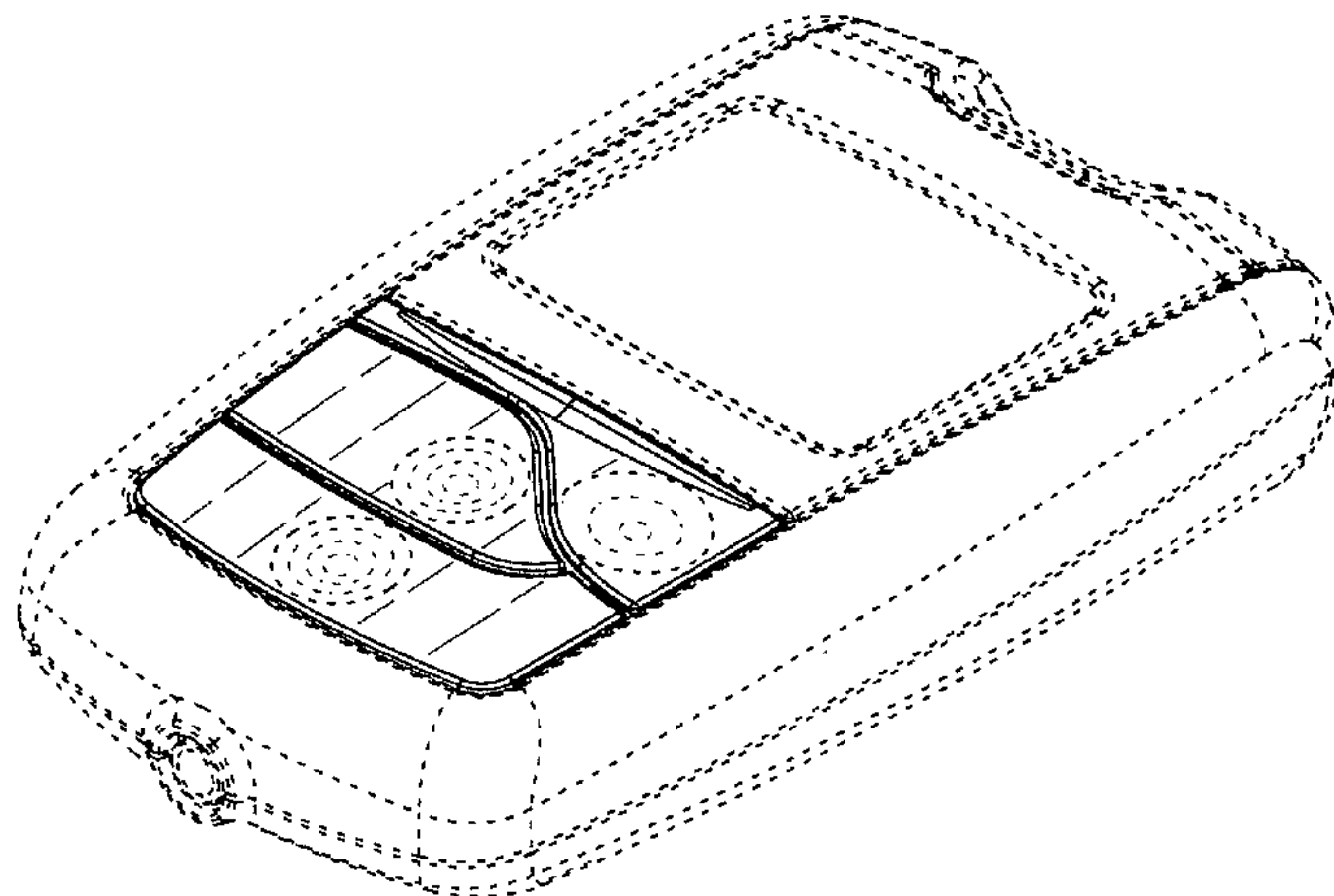
FIG. 6 is a first side view thereof;

FIG. 7 is a second side view thereof; and,

FIG. 8 is a bottom plan view thereof.

The feature shown in broken lines in various Figures are for illustrating reference or environmental structure.

1 Claim, 5 Drawing Sheets



US D612,279 S

Page 2

U.S. PATENT DOCUMENTS						
			6,168,563	B1	1/2001	Brown
D304,306	S	10/1989	D444,235	S	6/2001	Roberts et al.
D307,399	S	4/1990	6,246,966	B1	6/2001	Perry
D314,155	S	1/1991	D445,351	S	7/2001	Yamauchi et al.
D316,823	S	5/1991	D446,737	S	8/2001	Olson
5,019,974	A	5/1991	D447,070	S	8/2001	Chen
D319,250	S	8/1991	D452,659	S	1/2002	Harju et al.
D319,988	S	9/1991	D452,830	S	1/2002	Harju et al.
5,077,476	A	12/1991	D453,905	S	2/2002	Cheng
D323,893	S	2/1992	6,377,894	B1	4/2002	Deweese et al.
D324,344	S	3/1992	D457,824	S	5/2002	Tan et al.
5,216,597	A	6/1993	D460,557	S	7/2002	Steinberg et al.
D339,537	S	9/1993	D460,925	S	7/2002	Arnoux et al.
D346,602	S	5/1994	D462,024	S	8/2002	Nardo et al.
D346,751	S	5/1994	D465,026	S	10/2002	May et al.
D346,753	S	5/1994	6,461,331	B1	10/2002	Van Antwerp
5,315,236	A	5/1994	D469,107	S	1/2003	Miller et al.
D349,252	S	8/1994	D469,109	S	1/2003	Andre et al.
D349,860	S	8/1994	6,513,532	B2	2/2003	Mault et al.
D351,023	S	9/1994	6,514,460	B1	2/2003	Fendrock
D354,921	S	1/1995	D471,280	S	3/2003	Jaeck
D360,151	S	7/1995	D472,245	S	3/2003	Andre et al.
D360,840	S	8/1995	D473,310	S	4/2003	Schlagheck et al.
D360,841	S	8/1995	6,562,625	B2	5/2003	Modzelewski et al.
D363,237	S	10/1995	D476,911	S	7/2003	Chen
D363,287	S	10/1995	D477,540	S	7/2003	Chen
D364,105	S	11/1995	D478,053	S	8/2003	Andre et al.
D366,042	S	1/1996	6,604,050	B2	8/2003	Trippel et al.
D366,463	S	1/1996	D481,963	S	11/2003	Onuma et al.
D368,264	S	3/1996	D482,452	S	11/2003	Davey et al.
D369,563	S	5/1996	D483,680	S	12/2003	Chen
D371,517	S	7/1996	D484,818	S	1/2004	Krieter
D371,605	S	7/1996	D491,084	S	6/2004	Olson
D371,748	S	7/1996	D491,822	S	6/2004	Holbein
D373,121	S	8/1996	6,743,635	B2	6/2004	Neel et al.
D374,405	S	10/1996	D495,418	S	8/2004	Rounds et al.
D381,280	S	7/1997	D497,618	S	10/2004	Andre et al.
D382,498	S	8/1997	6,810,290	B2	10/2004	Lebel et al.
5,665,215	A	9/1997	D499,805	S	12/2004	D'Agostino
5,695,623	A	12/1997	6,837,858	B2	1/2005	Cunningham et al.
D390,139	S	2/1998	D503,119	S	3/2005	Motomizu
D393,313	S	4/1998	D504,074	S	4/2005	Tsujimura
D395,020	S	6/1998	D504,334	S	4/2005	Tsujimura
D395,242	S	6/1998	D505,950	S	6/2005	Summit et al.
D396,657	S	8/1998	D506,476	S	6/2005	Andre et al.
D401,520	S	11/1998	D506,832	S	6/2005	Neel
D401,522	S	11/1998	D507,657	S	7/2005	Neel
D407,031	S	3/1999	D508,028	S	8/2005	Deubler et al.
D413,538	S	9/1999	D508,215	S	8/2005	Grygo
D414,125	S	9/1999	D508,862	S	8/2005	Behar et al.
D415,440	S	10/1999	D509,451	S	9/2005	Tsujimura
D416,820	S	11/1999	6,946,299	B2	9/2005	Neel et al.
D417,504	S	12/1999	D510,287	S	10/2005	Chen
5,997,475	A	12/1999	D510,711	S	10/2005	Syme et al.
D419,894	S	2/2000	6,953,693	B2	10/2005	Neel et al.
D419,895	S	2/2000	6,959,247	B2	10/2005	Neel et al.
D421,229	S	2/2000	D511,113	S	11/2005	Feldman et al.
D422,519	S	4/2000	6,964,871	B2	11/2005	Bell et al.
D423,102	S	4/2000	D512,655	S	12/2005	McGugan
D423,960	S	5/2000	D513,598	S	1/2006	Bingham, Jr.
D424,696	S	5/2000	D514,005	S	1/2006	Gregorec, Jr. et al.
D428,493	S	7/2000	D514,006	S	1/2006	Kaar et al.
D428,654	S	7/2000	D516,217	S	2/2006	Brown et al.
D429,527	S	8/2000	6,997,344	B2	2/2006	Brown et al.
6,106,780	A	8/2000	D516,576	S	3/2006	Ive et al.
D430,499	S	9/2000	D518,290	S	4/2006	Andre et al.
D432,934	S	10/2000	D518,397	S	4/2006	Sydrowski et al.
6,136,610	A	10/2000	D519,047	S	4/2006	Sydrowski et al.
D435,470	S	12/2000	7,022,072	B2	4/2006	Fox et al.
D435,471	S	12/2000	7,024,236	B2	4/2006	Ford et al.
D435,796	S	1/2001	D519,864	S	5/2006	Bingham, Jr. et al.
D437,058	S	1/2001	D520,388	S	5/2006	Sydrowski et al.
			D520,391	S	5/2006	Motomizu et al.

US D612,279 S

D520,888 S	5/2006	Sydowski et al.	2003/0032868 A1	2/2003	Graskov et al.
D520,893 S	5/2006	Sato	2003/0055406 A1	3/2003	Lebel et al.
D521,402 S	5/2006	Kobayakawa	2003/0060765 A1	3/2003	Campbell et al.
7,037,196 B2	5/2006	Kobayashi et al.	2003/0065308 A1	4/2003	Lebel et al.
D522,656 S	6/2006	Orr et al.	2003/0111357 A1	6/2003	Black
D522,657 S	6/2006	Murphy et al.	2003/0125612 A1	7/2003	Fox et al.
D527,176 S	8/2006	Andre et al.	2003/0138356 A1	7/2003	Gilmour et al.
D527,723 S	9/2006	Andre et al.	2003/0144582 A1	7/2003	Cohen et al.
D528,933 S	9/2006	Hunter et al.	2003/0163088 A1	8/2003	Blomquist
D529,044 S	9/2006	Andre et al.	2003/0203498 A1	10/2003	Neel et al.
D530,340 S	10/2006	Andre et al.	2003/0208113 A1	11/2003	Mault et al.
D530,424 S	10/2006	Manser et al.	2003/0211617 A1	11/2003	Jones
D534,444 S	1/2007	Wallace	2003/0212379 A1	11/2003	Bylund et al.
D534,921 S	1/2007	Andre et al.	2004/0015102 A1	1/2004	Cummings et al.
D535,308 S	1/2007	Andre et al.	2004/0038411 A1	2/2004	Hayter et al.
7,160,251 B2	1/2007	Neel et al.	2004/0039255 A1	2/2004	Simonsen et al.
7,179,226 B2	2/2007	Crothall et al.	2004/0048394 A1	3/2004	Kirchhevel
7,181,350 B2	2/2007	Oberding et al.	2004/0057340 A1	3/2004	Charles-Erickson et al.
D538,822 S	3/2007	Andre et al.	2004/0058433 A1	3/2004	Yu et al.
D539,680 S	4/2007	Liu et al.	2004/0059201 A1	3/2004	Ginsberg
D539,814 S	4/2007	Andre et al.	2004/0069793 A1	4/2004	Brown et al.
D541,297 S	4/2007	Andre et al.	2004/0079653 A1	4/2004	Karinka et al.
D541,298 S	4/2007	Andre et al.	2004/0094432 A1	5/2004	Neel et al.
D541,299 S	4/2007	Andre et al.	2004/0094433 A1	5/2004	Neel et al.
D542,306 S	5/2007	Andre et al.	2004/0096991 A1	5/2004	Zhang
D542,681 S	5/2007	Young	2004/0099540 A1	5/2004	Neel et al.
D542,808 S	5/2007	Andre et al.	2004/0104131 A1	6/2004	Neel et al.
7,223,235 B2	5/2007	Brown et al.	2004/0106855 A1	6/2004	Brown
7,223,236 B2	5/2007	Brown et al.	2004/0107116 A1	6/2004	Brown
D543,878 S	6/2007	Castillo	2004/0117207 A1	6/2004	Brown
D544,385 S	6/2007	Ozawa	2004/0117208 A1	6/2004	Brown
D545,436 S	6/2007	Padain	2004/0117209 A1	6/2004	Brown
D545,438 S	6/2007	Huang et al.	2004/0117210 A1	6/2004	Brown
D545,705 S	7/2007	Voege	2004/0118704 A1	6/2004	Wang et al.
D546,216 S	7/2007	Bolognesi	2004/0153585 A1	8/2004	Kawatahara et al.
D546,218 S *	7/2007	Grasso et al. D10/81	2004/0157339 A1	8/2004	Nurke et al.
D546,456 S	7/2007	May	2004/0172284 A1	9/2004	Sullivan et al.
D546,457 S	7/2007	Hannant et al.	2004/0182703 A1	9/2004	Bell et al.
D546,458 S	7/2007	Hannant	2004/0197935 A1	10/2004	Forrow et al.
D546,952 S	7/2007	May	2004/0199409 A1	10/2004	Brown
D547,216 S	7/2007	Rounds et al.	2004/0217019 A1	11/2004	Cai et al.
7,241,265 B2	7/2007	Cummings et al.	2004/0219694 A1	11/2004	Chittock et al.
D548,347 S	8/2007	Ichino et al.	2004/0223877 A1	11/2004	Kim et al.
D548,744 S	8/2007	Andre et al.	2004/0259180 A1	12/2004	Burke et al.
D548,745 S	8/2007	Andre et al.	2005/0009126 A1	1/2005	Andrews et al.
D548,746 S	8/2007	Andre et al.	2005/0019848 A1	1/2005	Lee et al.
D548,747 S	8/2007	Andre et al.	2005/0033603 A1	2/2005	Suzuki et al.
D549,237 S	8/2007	Andre et al.	2005/0038332 A1	2/2005	Saidara et al.
7,256,714 B2	8/2007	Philipp et al.	2005/0045476 A1	3/2005	Neel et al.
7,258,666 B2	8/2007	Brown et al.	2005/0049179 A1	3/2005	Davidson et al.
D550,364 S	9/2007	Glover et al.	2005/0056539 A1	3/2005	Morgan et al.
D551,252 S	9/2007	Andre et al.	2005/0059895 A1	3/2005	Brown
D551,578 S	9/2007	Kuriger et al.	2005/0065760 A1	3/2005	Murfeldt et al.
D551,680 S	9/2007	Andre et al.	2005/0067277 A1	3/2005	Pierce et al.
7,264,591 B2	9/2007	Brown et al.	2005/0074368 A1	4/2005	Moller et al.
D553,129 S	10/2007	Andre et al.	2005/0080652 A1	4/2005	Brown
7,276,146 B2	10/2007	Wilsey	2005/0086083 A1	4/2005	Brown
7,276,147 B2	10/2007	Wilsey	2005/0109618 A1	5/2005	Davies
D555,525 S *	11/2007	Chong et al. D10/78	2005/0133368 A1	6/2005	Davies et al.
D556,155 S	11/2007	Andre et al.	2005/0137530 A1	6/2005	Campbell et al.
D557,234 S	12/2007	Kim et al.	2005/0139469 A1	6/2005	Davies et al.
7,323,141 B2	1/2008	Kirchhevel et al.	2005/0143675 A1	6/2005	Neel et al.
D561,905 S	2/2008	Ramel et al.	2005/0143864 A1	6/2005	Blomquist
D570,717 S *	6/2008	Elrod D10/78	2005/0161344 A1	7/2005	Kermani et al.
2001/0011224 A1	8/2001	Brown	2005/0163657 A1	7/2005	Childers et al.
2001/0056328 A1	12/2001	Trippel et al.	2005/0176153 A1	8/2005	Ohara et al.
2002/0047867 A1	4/2002	Mault et al.	2005/0183965 A1	8/2005	Davies et al.
2002/0068157 A1	6/2002	Wischerhoff	2005/0192492 A1	9/2005	Cho et al.
2002/0109600 A1	8/2002	Mault et al.	2005/0197553 A1	9/2005	Cooper
2002/0170823 A1	11/2002	Housefield et al.	2005/0227370 A1	10/2005	Ramel et al.
2003/0021729 A1	1/2003	Moller et al.	2005/0239156 A1	10/2005	Drucker et al.
2003/0032190 A1	2/2003	Brown et al.	2005/0240119 A1	10/2005	Draudt et al.
2003/0032867 A1	2/2003	Crothall et al.	2005/0240444 A1	10/2005	Wooten et al.

2005/0245904 A1 11/2005 Estes et al.
 2005/0256739 A1 11/2005 Brown
 2005/0260769 A1 11/2005 Jonsson et al.
 2005/0287499 A1 12/2005 Yeager
 2006/0004611 A1 1/2006 Brown
 2006/0009705 A1 1/2006 Brown
 2006/0009706 A1 1/2006 Brown
 2006/0010014 A1 1/2006 Brown
 2006/0064035 A1 3/2006 Wang et al.
 2006/0074324 A1 4/2006 Wu et al.
 2006/0080152 A1 4/2006 Brown
 2006/0100910 A1 5/2006 Brown
 2006/0132292 A1 6/2006 Blomquist
 2006/0144704 A1 7/2006 Ghesquiere et al.
 2006/0178914 A1 8/2006 Brown
 2006/0191787 A1 8/2006 Wang et al.
 2006/0201805 A1 9/2006 Forrow et al.
 2006/0229502 A1 10/2006 Pollock et al.
 2006/0231421 A1 10/2006 Diamond et al.
 2006/0231423 A1 10/2006 Harding et al.
 2006/0247951 A1 11/2006 Brown
 2006/0260940 A1 11/2006 McAleer et al.
 2006/0279431 A1 12/2006 Bakarania et al.
 2006/0286620 A1 12/2006 Werner et al.
 2007/0025877 A1 2/2007 Hansen
 2007/0048878 A1 3/2007 Carroll et al.
 2007/0061167 A1 3/2007 Brown
 2007/0065342 A1 3/2007 Brown et al.
 2007/0087397 A1 4/2007 Kraft et al.
 2007/0094049 A1 4/2007 Brown
 2007/0100665 A1 5/2007 Brown
 2007/0118403 A1 5/2007 Brown
 2007/0118404 A1 5/2007 Brown
 2007/0118588 A1 5/2007 Brown
 2007/0118589 A1 5/2007 Brown
 2007/0167693 A1 7/2007 Scholler et al.
 2007/0170054 A2 7/2007 Wilsey
 2007/0170055 A2 7/2007 Wilsey
 2007/0179352 A1 8/2007 Randlov et al.
 2007/0213603 A1 9/2007 Brown
 2007/0213604 A1 9/2007 Brown
 2007/0213605 A1 9/2007 Brown
 2007/0213608 A1 9/2007 Brown
 2007/0218543 A1 9/2007 Flaherty et al.
 2007/0230155 A1 10/2007 Christol et al.
 2007/0231209 A1 10/2007 Cosentino et al.
 2007/0231846 A1 10/2007 Cosentino et al.
 2007/0255114 A1 11/2007 Ackermann et al.
 2007/0255123 A1 11/2007 Cummings et al.
 2007/0255126 A1 11/2007 Moberg et al.
 2007/0266871 A1 11/2007 Wegner et al.
 2007/0276209 A1 11/2007 Emoto et al.
 2007/0276621 A1 11/2007 Davies et al.
 2007/0281321 A1 12/2007 Nagale et al.
 2007/0287182 A1 12/2007 Morris et al.
 2007/0287895 A1 12/2007 Brown
 2007/0287985 A1 12/2007 Estes et al.

2007/0289881 A1 12/2007 Forrow et al.
 2007/0299321 A1 12/2007 Brown
 2008/0011059 A1 1/2008 Davies et al.
 2008/0023326 A1 1/2008 Forrow et al.
 2008/0026473 A1 1/2008 Wang et al.
 2008/0035478 A1 2/2008 Wegner et al.
 2008/0039885 A1 2/2008 Purcell
 2008/0045825 A1 2/2008 Melker et al.
 2008/0073207 A1 3/2008 Teodorczyk et al.
 2008/0114228 A1 5/2008 McCluskey et al.
 2008/0171967 A1 7/2008 Blomquist et al.
 2008/0172026 A1 7/2008 Blomquist
 2008/0172027 A1 7/2008 Blomquist
 2008/0172028 A1 7/2008 Blomquist
 2008/0172029 A1 7/2008 Blomquist
 2008/0172030 A1 7/2008 Blomquist
 2008/0172031 A1 7/2008 Blomquist
 2008/0177149 A1 7/2008 Weinert et al.
 2008/0194934 A1 8/2008 Ray et al.

FOREIGN PATENT DOCUMENTS

EP 0290683 A2 11/1988
 EP 0128054 B1 12/1988
 EP 0883371 B1 10/2001
 EP 1413245 A2 4/2004
 EP 1144028 B1 6/2004
 EP 1733678 A1 12/2006
 GB 2159625 A 12/1985
 TW D567018 12/2003
 TW D100248 9/2004
 WO 94/011831 5/1994
 WO 02/024065 3/2002
 WO 2004/008956 A2 1/2004
 WO 04/056261 A1 7/2004
 WO 2005/106446 A1 11/2005
 WO 05/121785 A2 12/2005
 WO 2005/112554 A2 12/2005
 WO 2006/066038 A2 6/2006
 WO 2006/072035 A1 7/2006
 WO 2007/019384 A1 2/2007

OTHER PUBLICATIONS

Owner's Booklet Manual del propietario, "OneTouch UltraMini Blood Glucose Monitoring System Sistema de supervision de glucos en sangre"; 2006 LifeScan, Inc. Milpitas, CA 95035 Rev. Apr. 2006.
 Owner's Booklet, "Accu-Chek Advantage"; 2004 Roche Diagnostics, Indianapolis, IN 46256.
 Owner's Booklet, "Accu-Check Advantage"; 2003 Roche diagnostics, Indianapolis, IN 46256.
 Owner's Booklet, "Accu-Check Aviva Blood Glucose Meter" 2007 Roche Diagnostics, Indianapolis, IN 46256.
 Owner's Booklet, "Accu-Chek Complete" Roche Diagnostics, Indianapolis, IN 46256.
 Owner's Booklet, "OneTouch UltraSmart OneTouch changes everything" 2006 LifeScan, Inc., Milpitas, CA 95035 Rev. Apr. 2006.

* cited by examiner

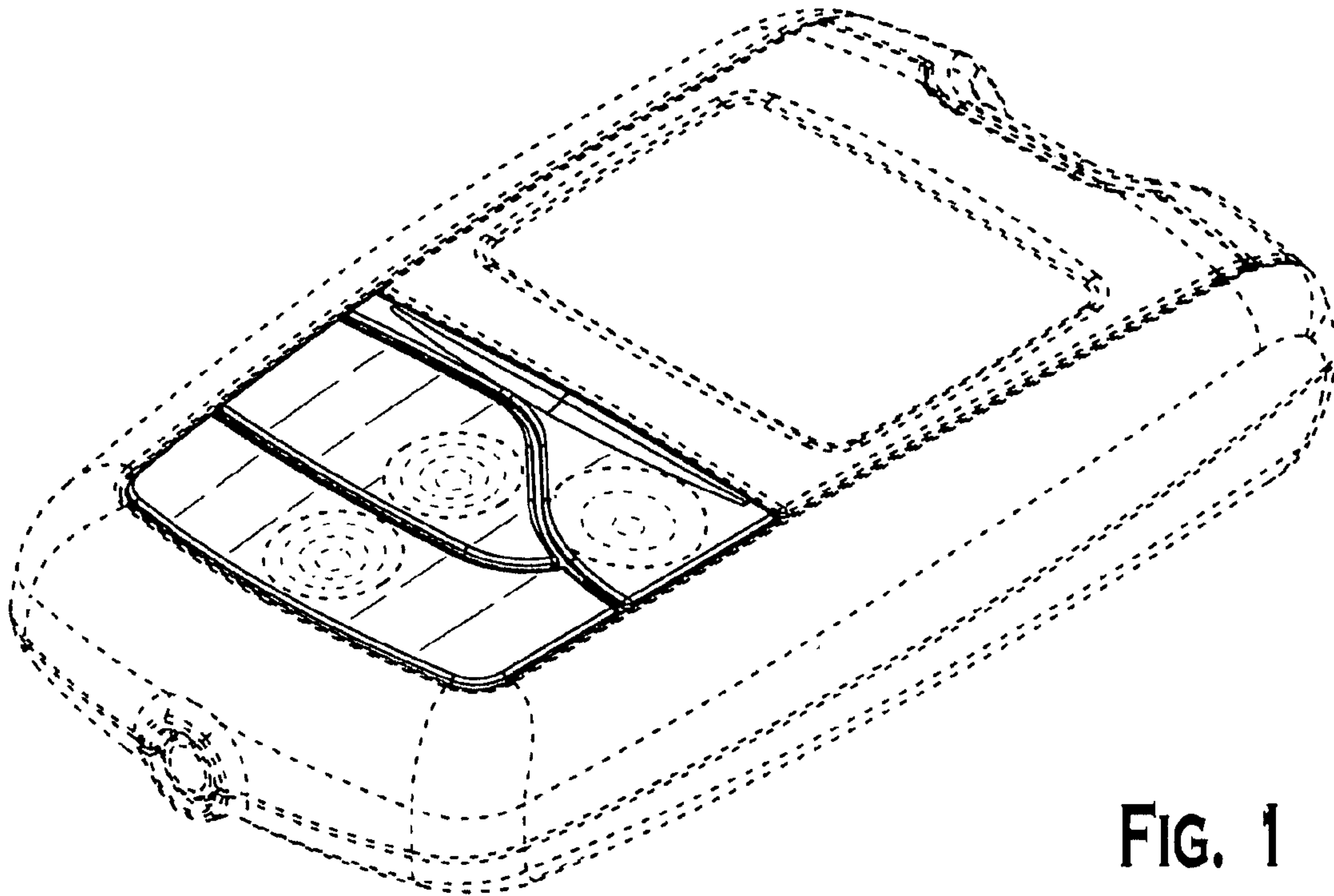


FIG. 1

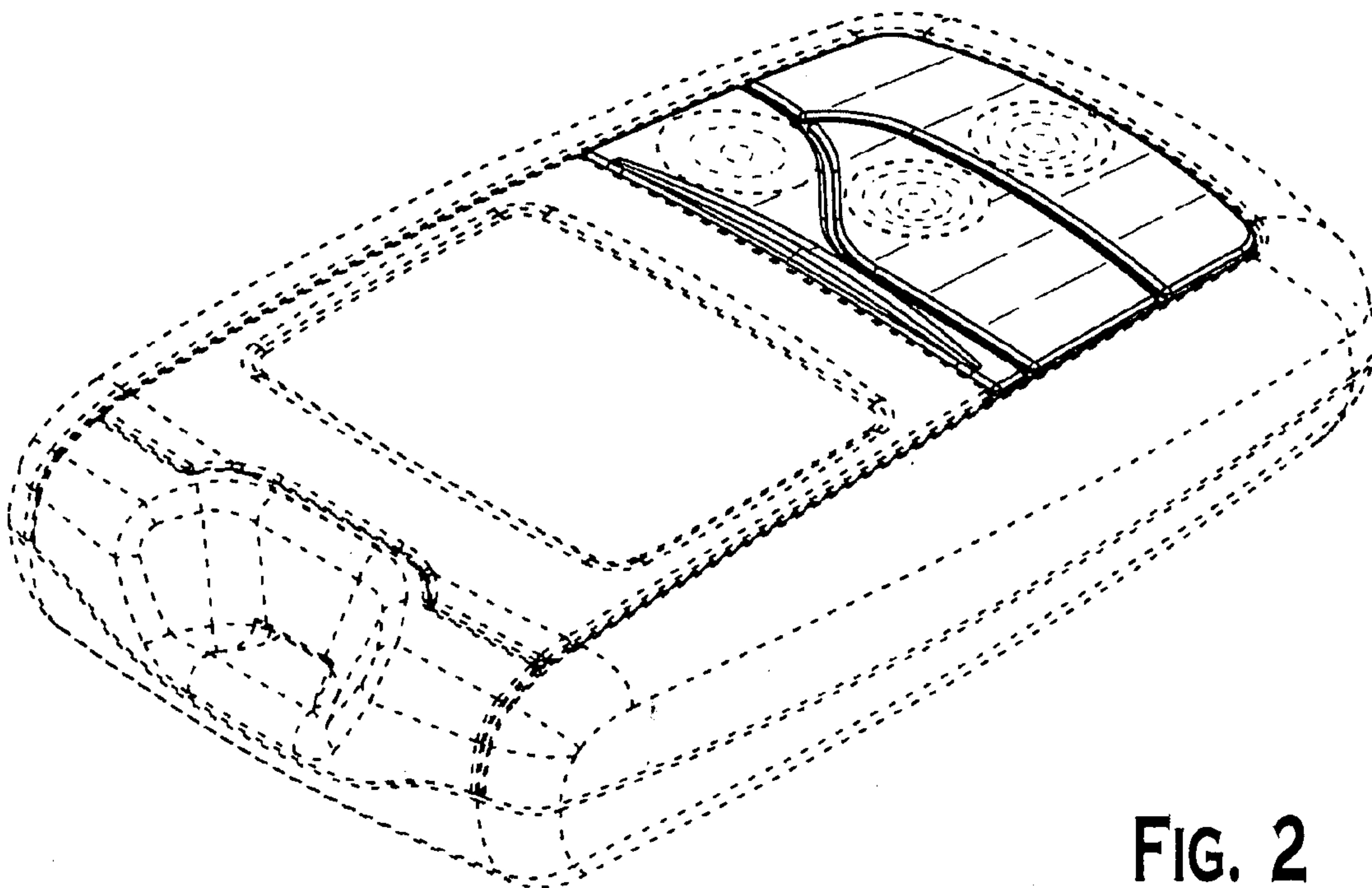
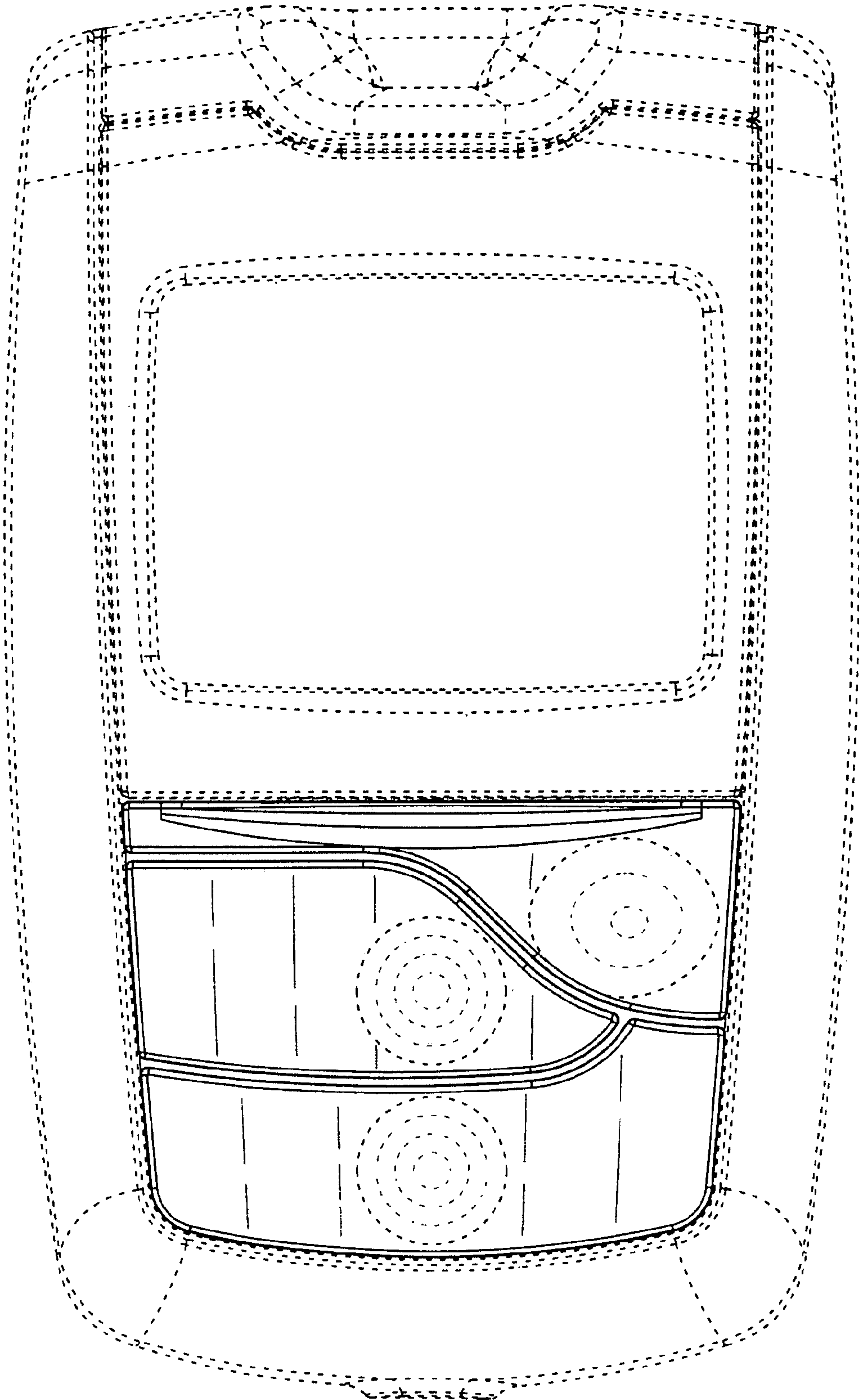


FIG. 2

FIG. 3



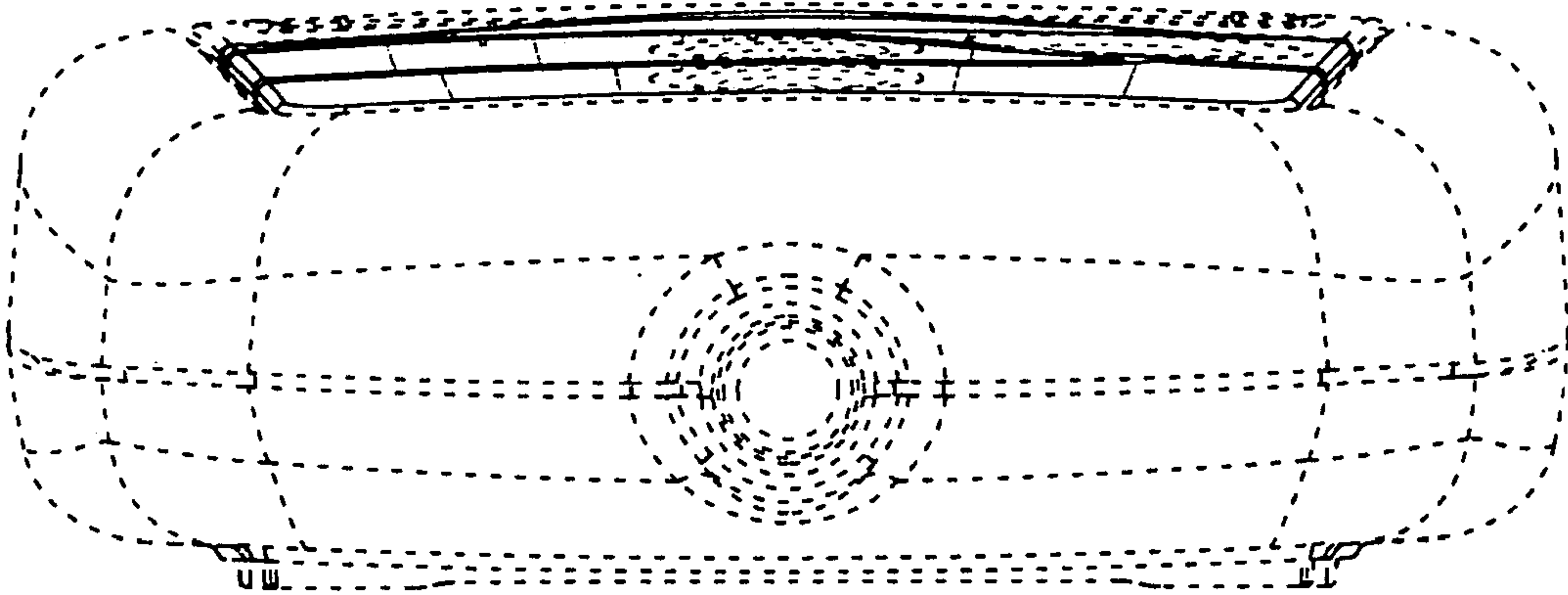


FIG. 4

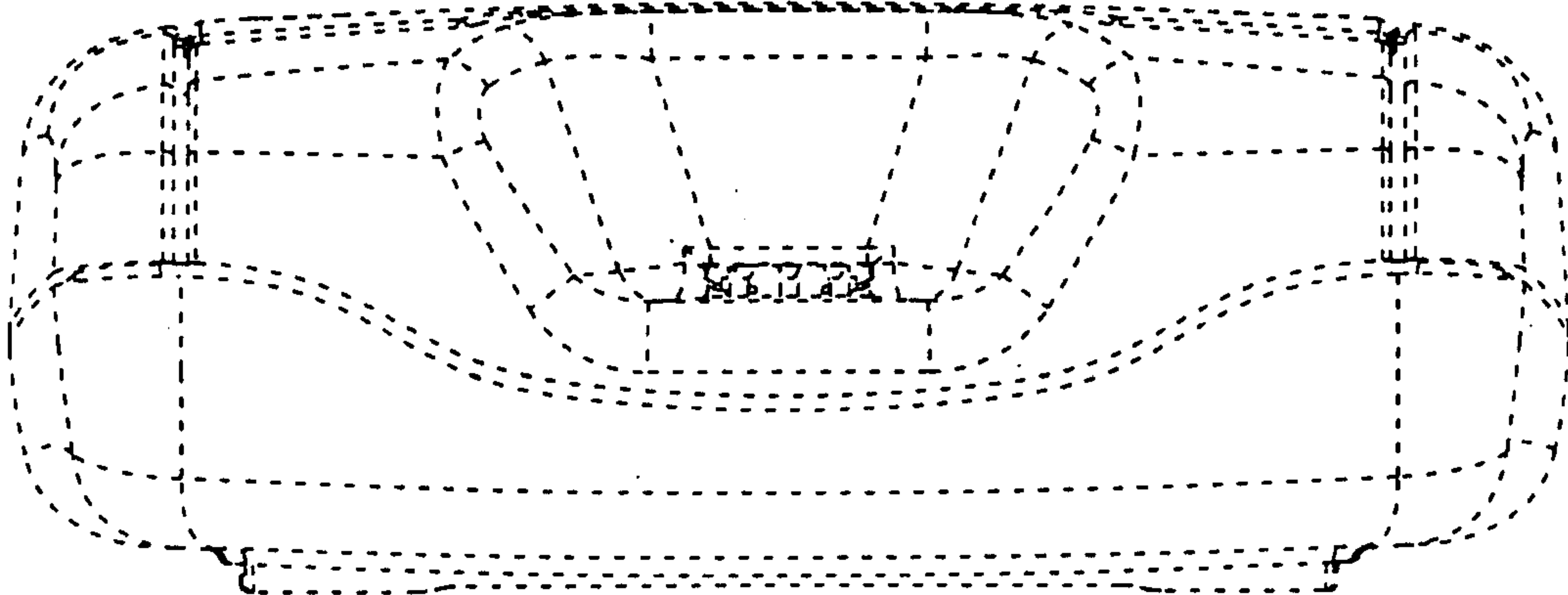


FIG. 5

FIG. 6

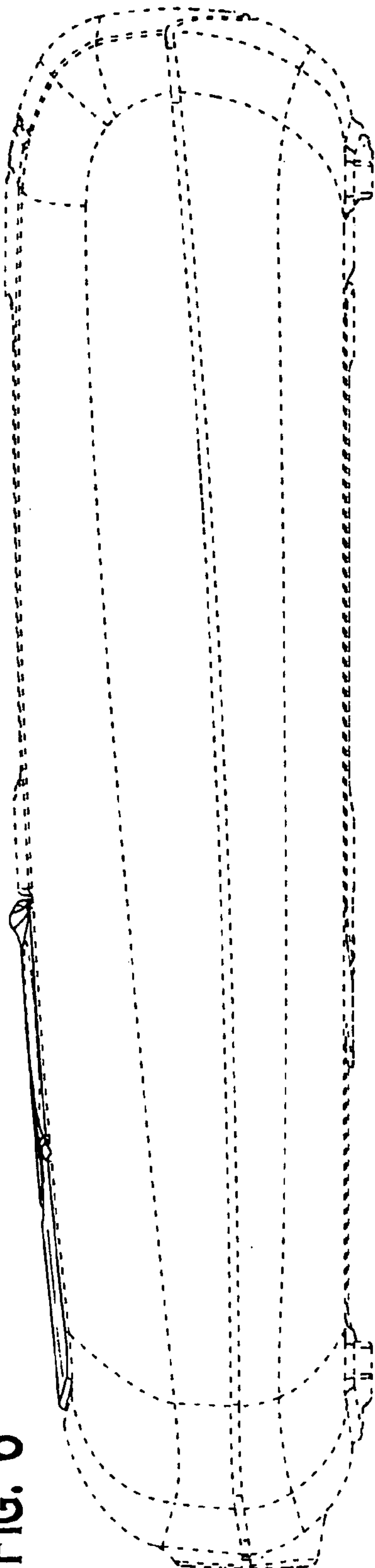


FIG. 7

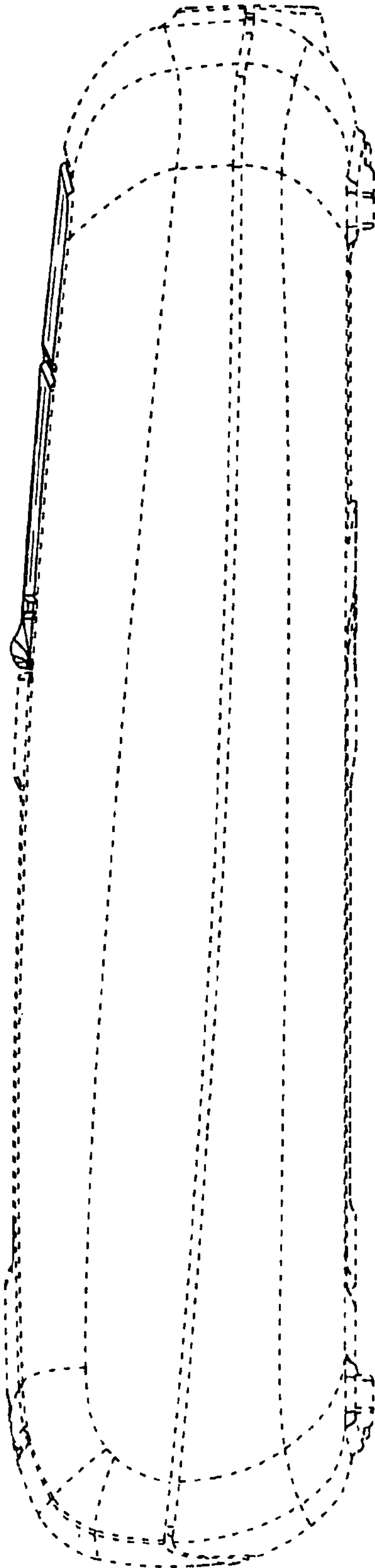


FIG. 8

