



US00D612272S

(12) **United States Design Patent**  
**Pennala**

(10) **Patent No.:** **US D612,272 S**  
(45) **Date of Patent:** **\*\* Mar. 23, 2010**

(54) **SENSOR FOR A KNUCKLE**

(75) Inventor: **John William Pennala**, Howell, MI  
(US)

(73) Assignee: **Robert Bosch GmbH**, Stuttgart (DE)

(\*\*) Term: **14 Years**

(21) Appl. No.: **29/335,679**

(22) Filed: **Apr. 20, 2009**

**Related U.S. Application Data**

(63) Continuation of application No. 29/317,387, filed on  
Apr. 29, 2008, now abandoned.

(51) **LOC (9) Cl.** ..... **10-04**

(52) **U.S. Cl.** ..... **D10/46; D10/98**

(58) **Field of Classification Search** ..... **D10/46,**  
**D10/98; 82/112, 1.11, 47, 118, 151, 152,**  
**82/150, 161, 163, 170, 903**

See application file for complete search history.

(56) **References Cited**

**U.S. PATENT DOCUMENTS**

D318,627 S \* 7/1991 Frederick ..... D10/46

\* cited by examiner

*Primary Examiner*—Antoine D Davis

(74) *Attorney, Agent, or Firm*—Maginot, Moore & Beck

(57) **CLAIM**

The ornamental design for a sensor for a knuckle, as shown  
and described.

**DESCRIPTION**

FIG. 1 is a perspective view of a portion of a knuckle with a  
sensor retained therein showing my new design;

FIG. 2 is a side plan view of FIG. 1;

FIG. 3 is a plan view taken along line 3—3 of FIG. 2;

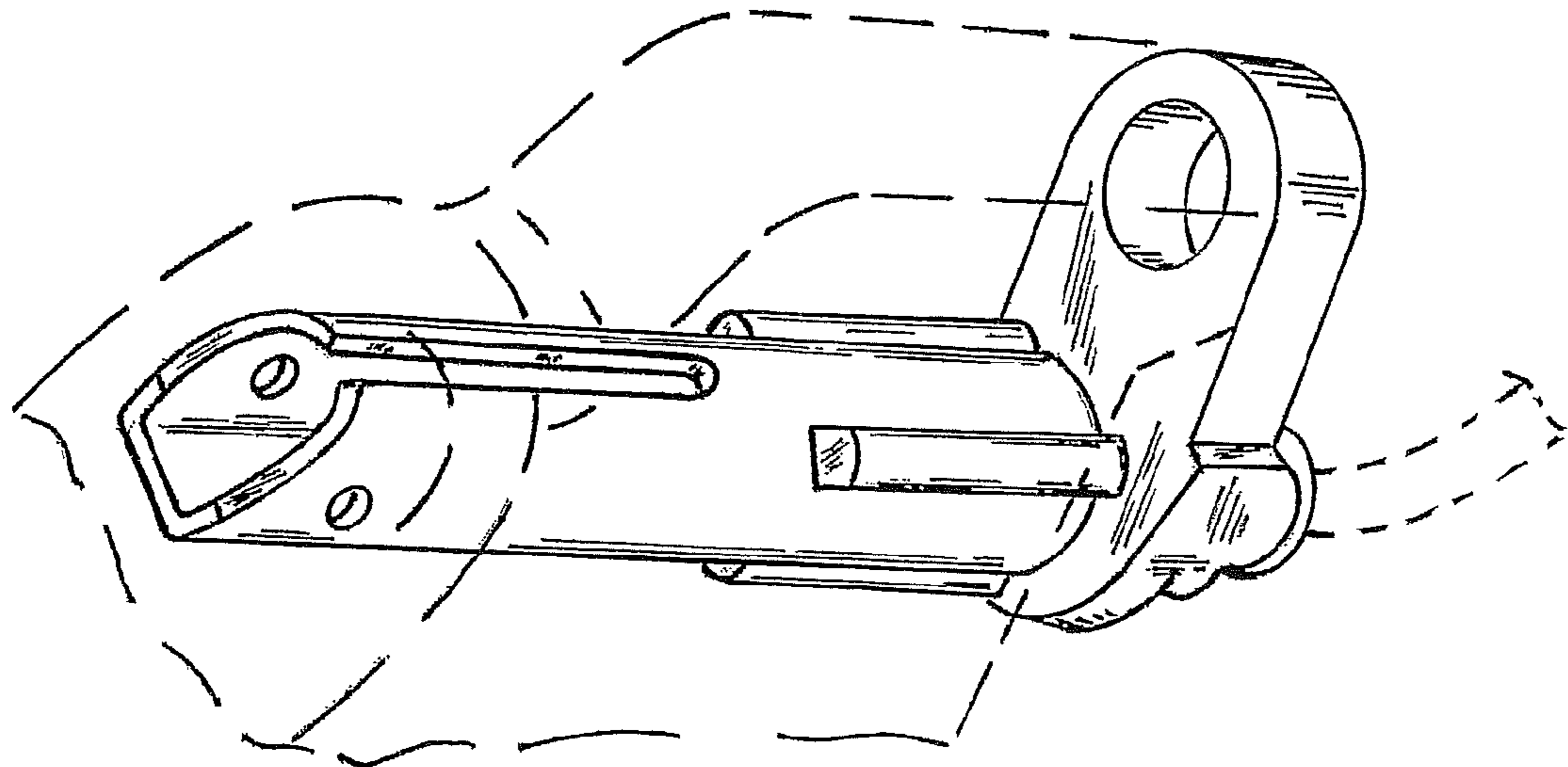
FIG. 4 is a top view of FIG. 2;

FIG. 5 is a bottom view of FIG. 2; and,

FIG. 6 is a plan view taken along line 6—6 of FIG. 2.

The broken line showing of portions of the knuckle and an  
associated electrical cord is included for illustrative purposes  
only and forms no part of the claimed design.

**1 Claim, 2 Drawing Sheets**



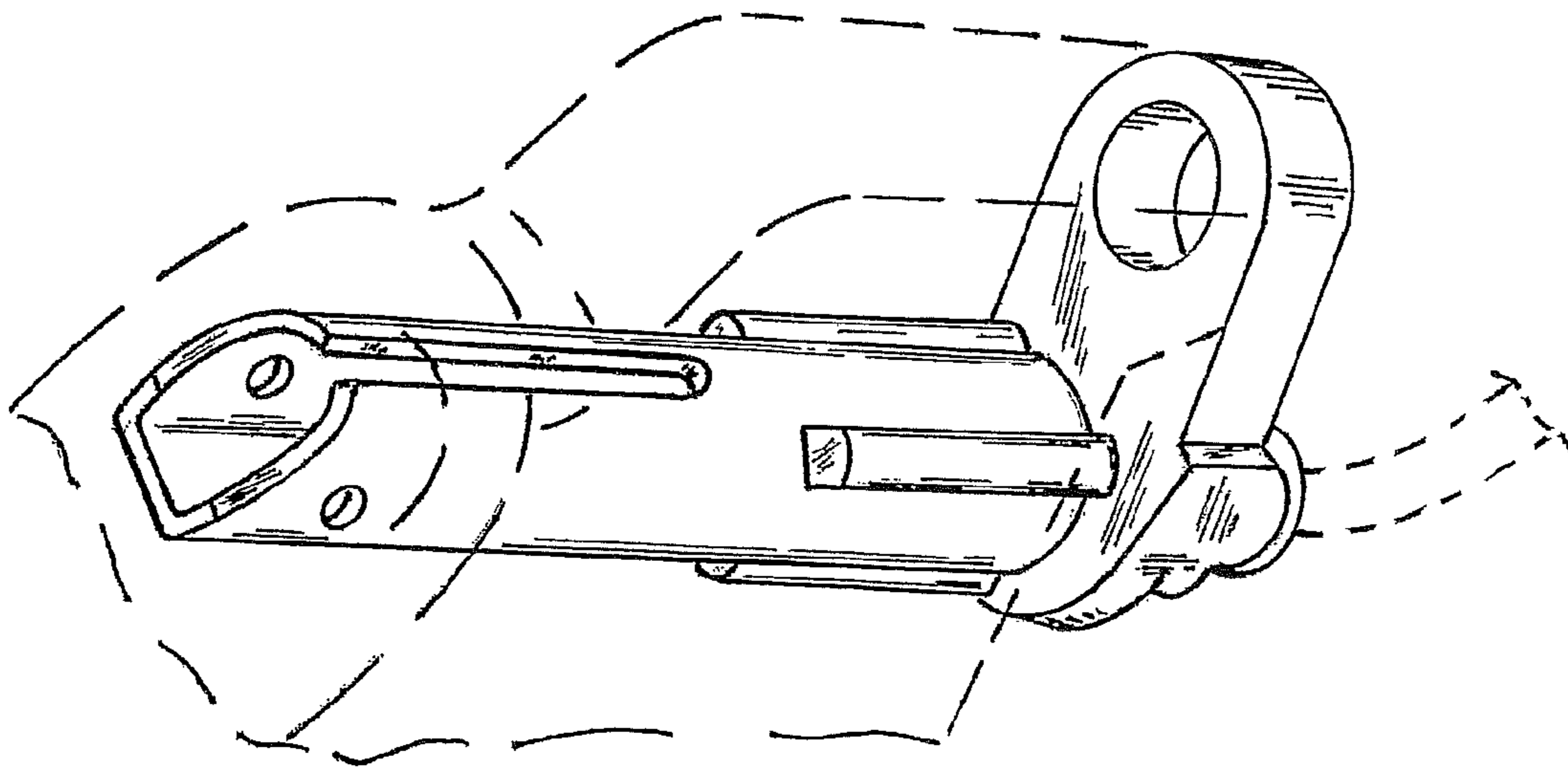


FIG. 1

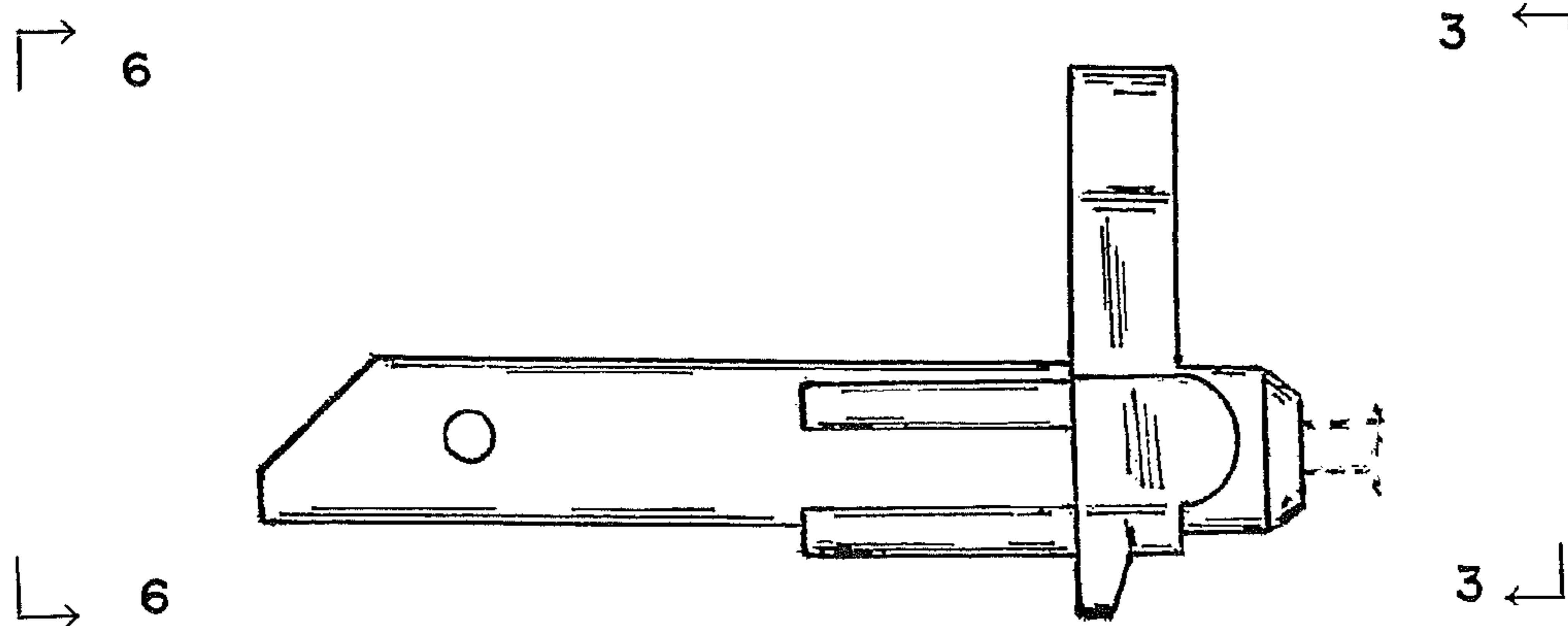


FIG. 2

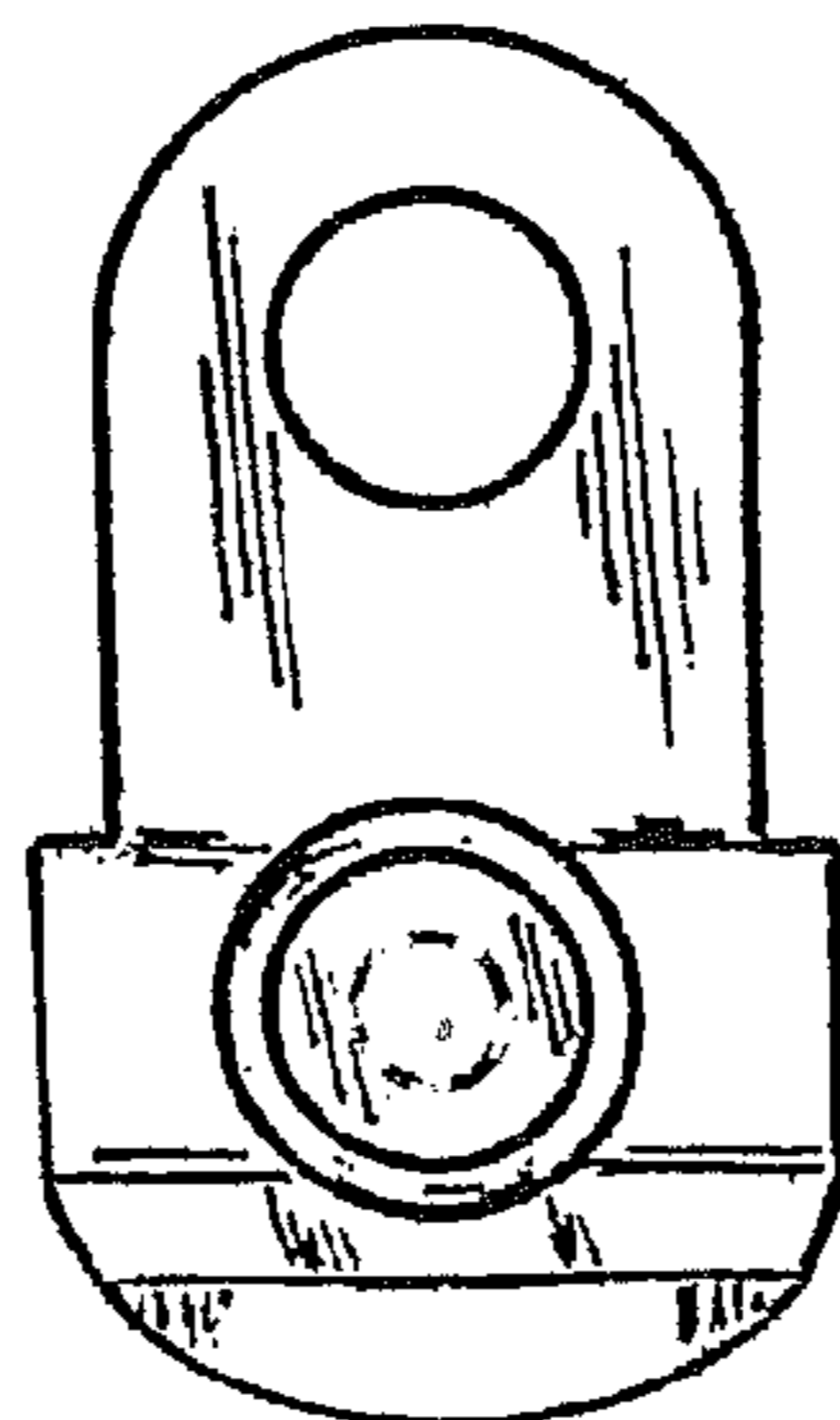
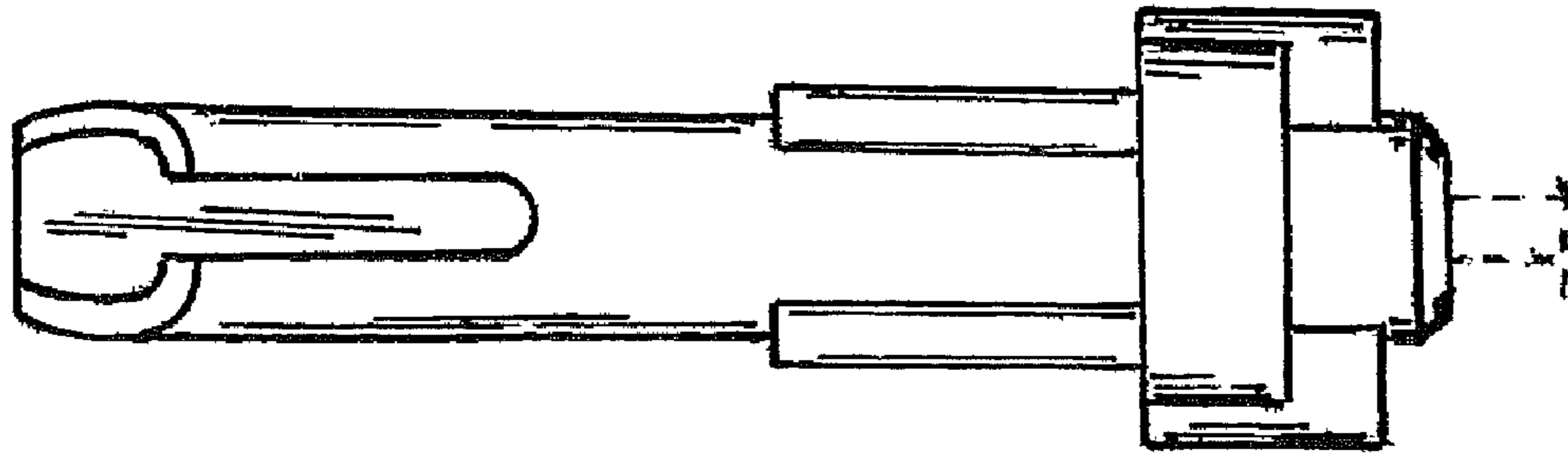
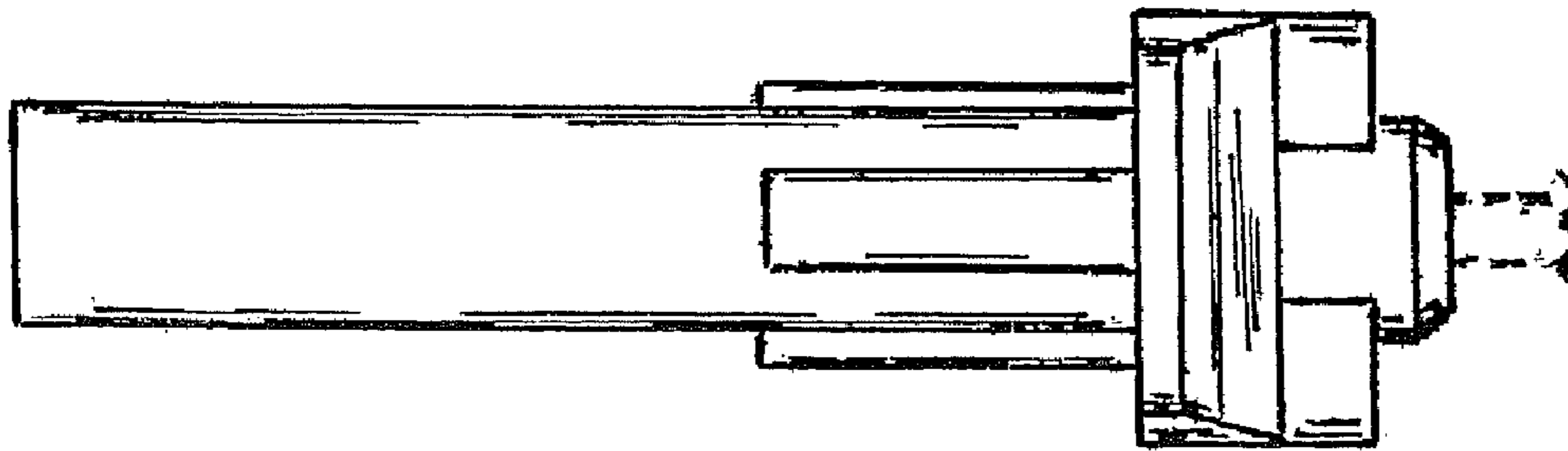


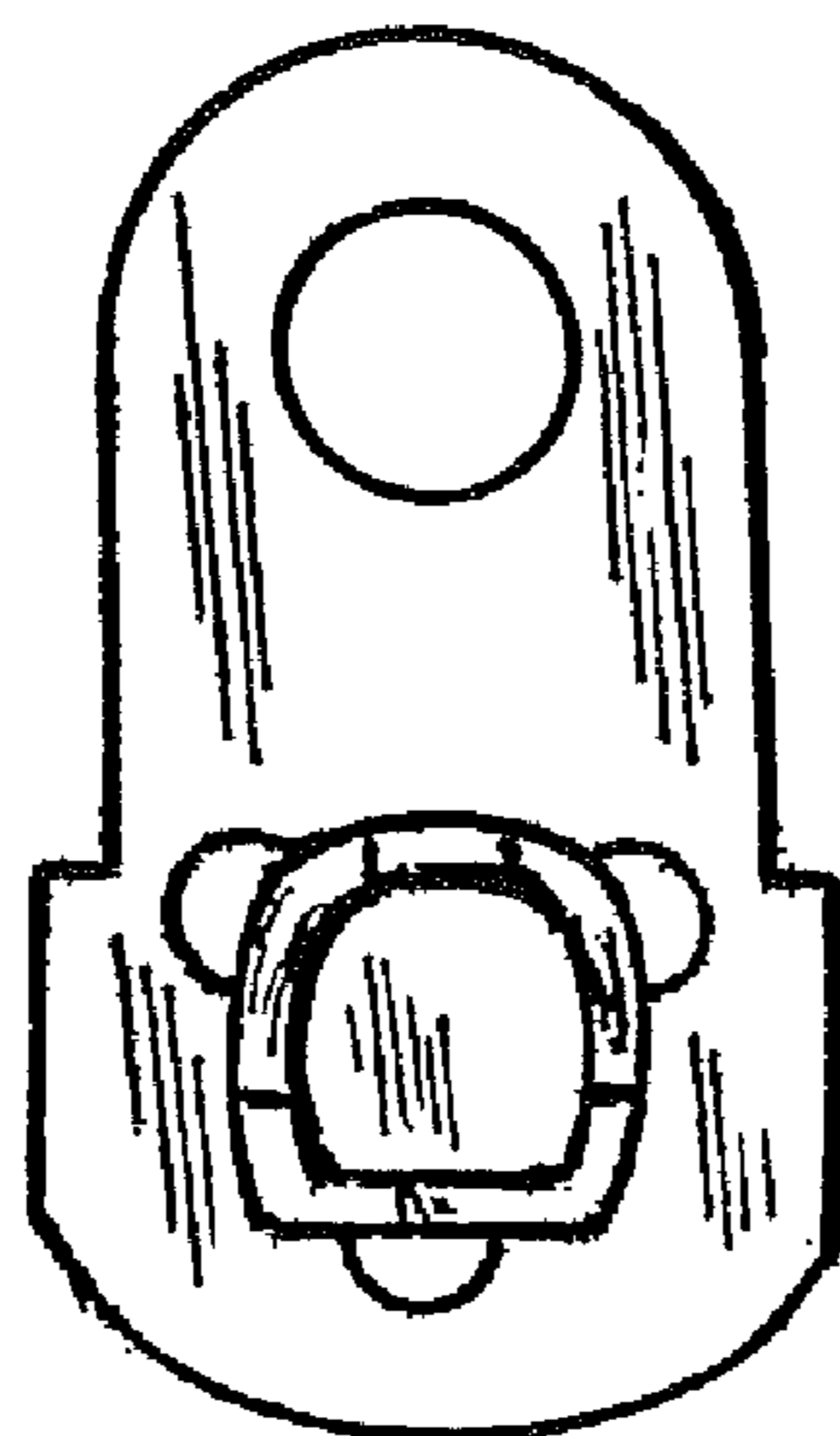
FIG. 3



**FIG. 4**



**FIG. 5**



**FIG. 6**