



US00D612271S

(12) **United States Design Patent**
Lalo

(10) **Patent No.:** **US D612,271 S**
(45) **Date of Patent:** **** Mar. 23, 2010**

(54) **WATCH**

(75) Inventor: **Eyal Lalo**, Hallandale, FL (US)

(73) Assignee: **Invicta Watch Company of America, Inc.**, Hollywood, FL (US)

(**) Term: **14 Years**

(21) Appl. No.: **29/344,600**

(22) Filed: **Oct. 1, 2009**

(51) **LOC (9) Cl.** **10-02**

(52) **U.S. Cl.** **D10/39**

(58) **Field of Classification Search** D10/30-39,
D10/122-132; 368/276, 281, 282, 285, 308,
368/319, 223, 80, 232, 228

See application file for complete search history.

(56) **References Cited**

U.S. PATENT DOCUMENTS

1,796,360	A	*	3/1931	Conant	368/281
D402,211	S	*	12/1998	Miyake et al.	D10/39
D465,421	S	*	11/2002	Mantovani	D10/30
D485,767	S		1/2004	Lalo		
D486,403	S	*	2/2004	Baumann	D10/32
D487,403	S	*	3/2004	Geockeritz et al.	D10/39
D488,077	S	*	4/2004	Bitetto	D10/39
D490,000	S	*	5/2004	Lassigne	D10/32
D491,473	S	*	6/2004	Afshar	D10/32
D491,820	S	*	6/2004	Bitetto	D10/39
D493,111	S	*	7/2004	Afshar	D10/32
D494,072	S	*	8/2004	Bitetto	D10/39
D494,477	S	*	8/2004	Lalo	D10/30
D505,340	S	*	5/2005	Lalo	D10/30
D540,699	S	*	4/2007	Niculescu	D10/39

D548,625	S	*	8/2007	Schoepfer	D10/39
D567,115	S	*	4/2008	Bulgari	D10/32
D569,276	S	*	5/2008	Scheufele	D10/39
D574,264	S	*	8/2008	Fasciano	D10/39
D574,265	S	*	8/2008	Fasciano	D10/39
D574,733	S	*	8/2008	Blair	D10/32
D582,295	S	*	12/2008	Schoepfer	D10/38
D586,242	S	*	2/2009	Schoepfer	D10/39
D588,941	S	*	3/2009	Fasciano	D10/38
D588,942	S	*	3/2009	Fasciano	D10/38
D588,943	S	*	3/2009	Fasciano	D10/38

* cited by examiner

Primary Examiner—Lucy Lieberman

(74) *Attorney, Agent, or Firm*—Howard Natter; Natter & Natter

(57) **CLAIM**

The ornamental design for a watch, as shown and described.

DESCRIPTION

FIG. 1 is a front perspective view of a watch showing my new design;

FIG. 2 is a right side elevational view thereof;

FIG. 3 is a top plan view thereof;

FIG. 4 is a front elevational view thereof;

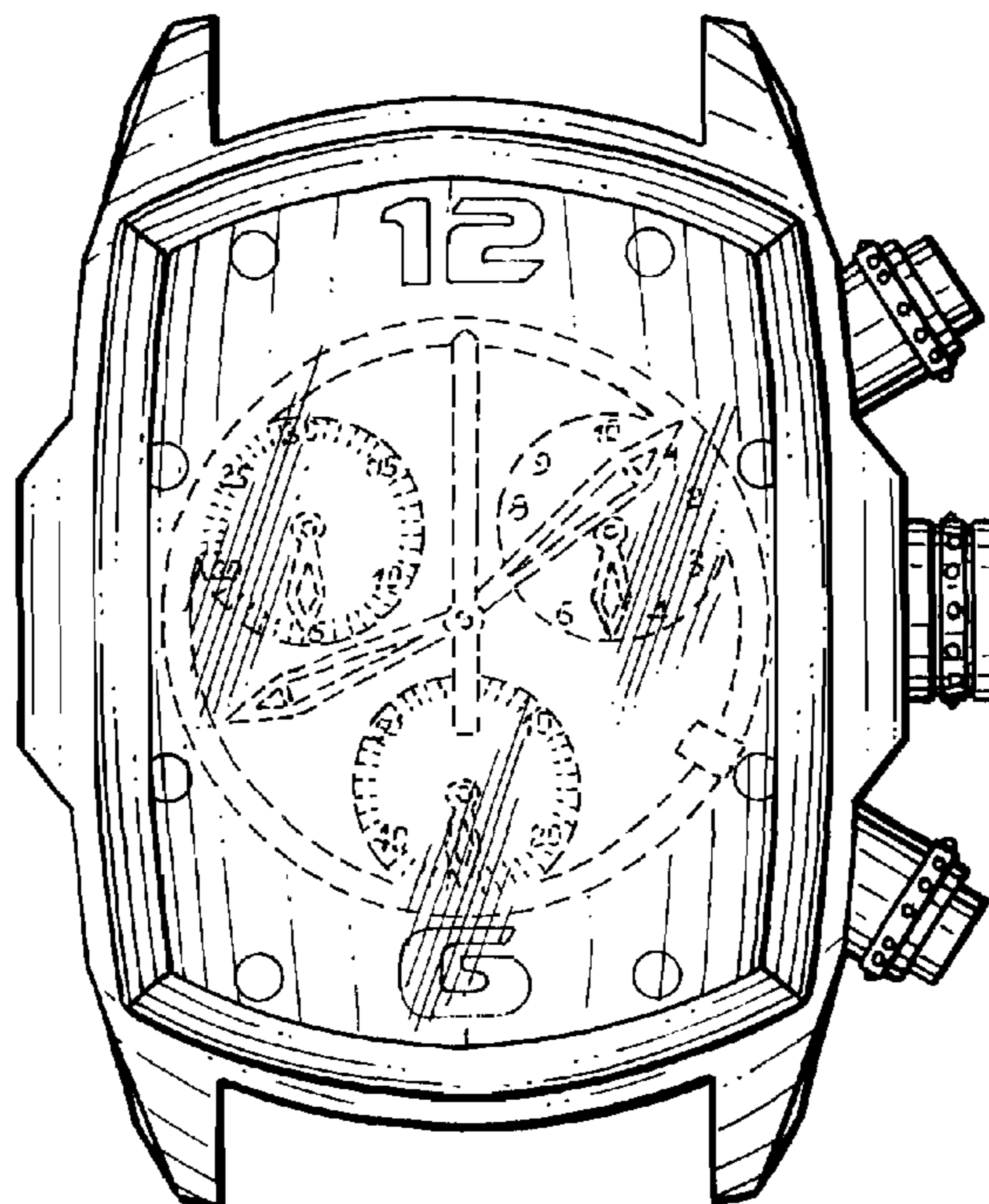
FIG. 5 is a left side elevational view thereof; and,

FIG. 6 is a rear elevational view thereof.

The bottom plan view is a mirror image of the top plan view.

The broken-line showing of FIGS. 1 and 4 are used to show portions of the watch that do not form part of the claimed design.

1 Claim, 3 Drawing Sheets



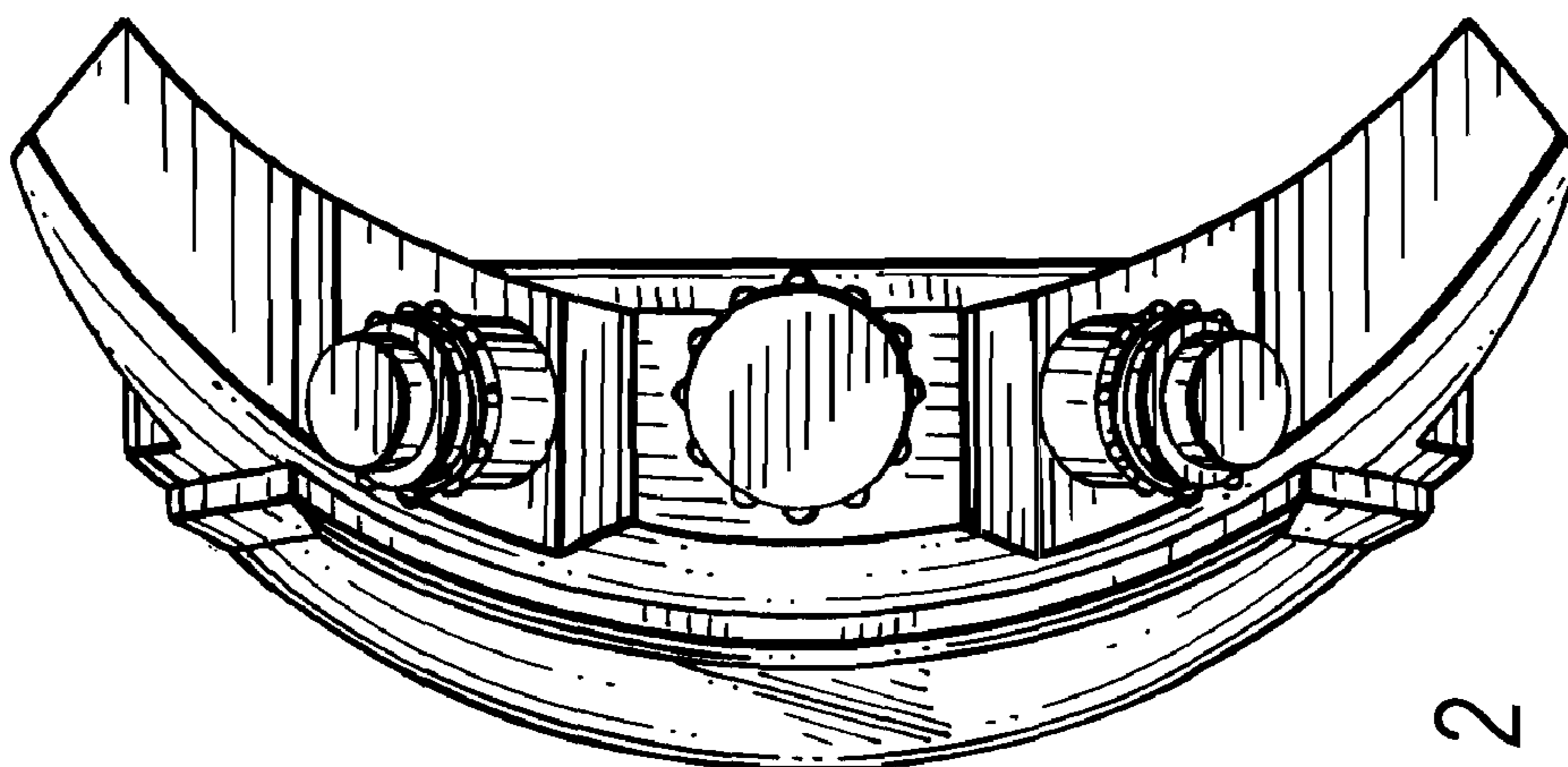


FIG. 2

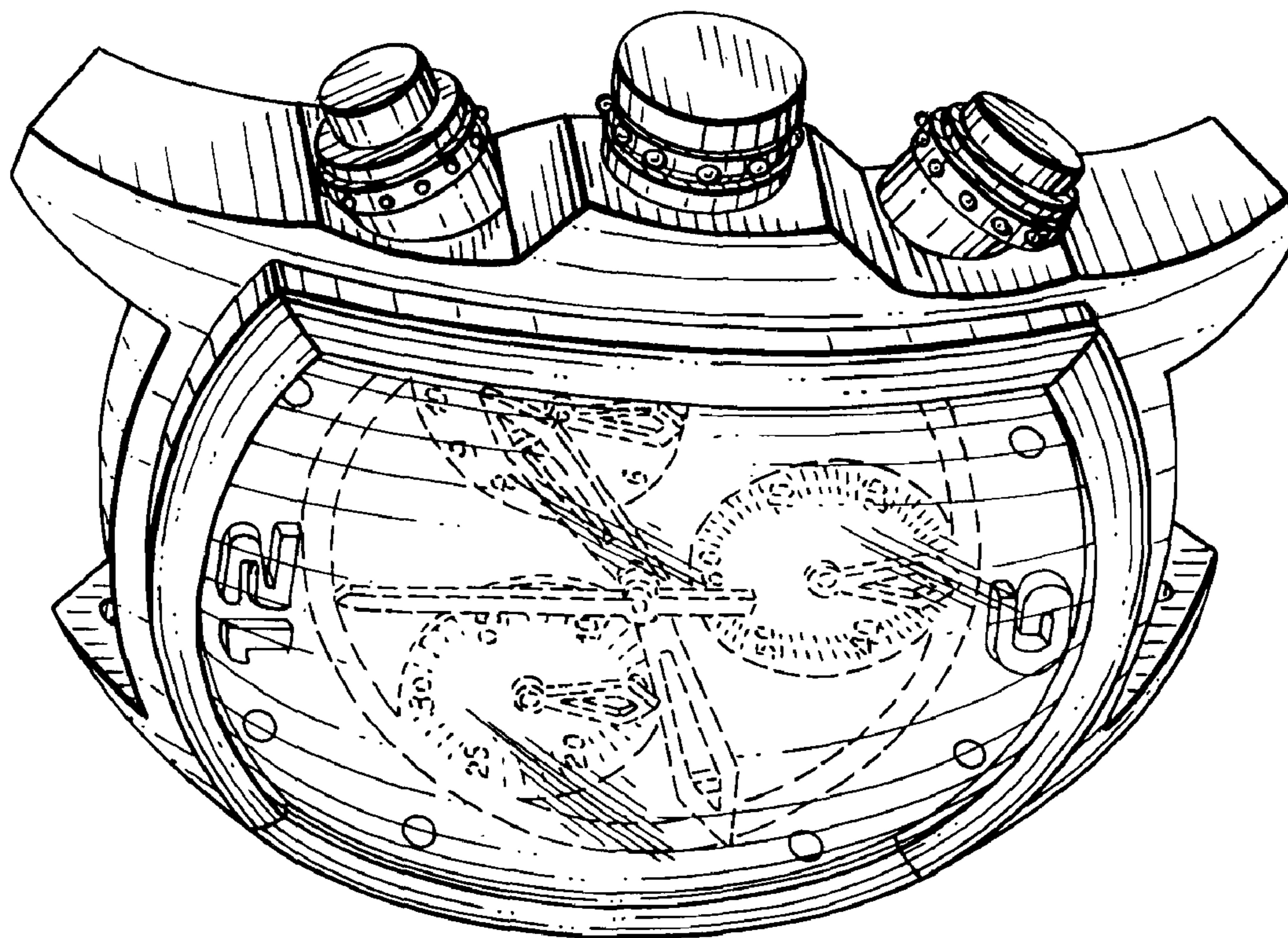


FIG. 1

FIG. 3

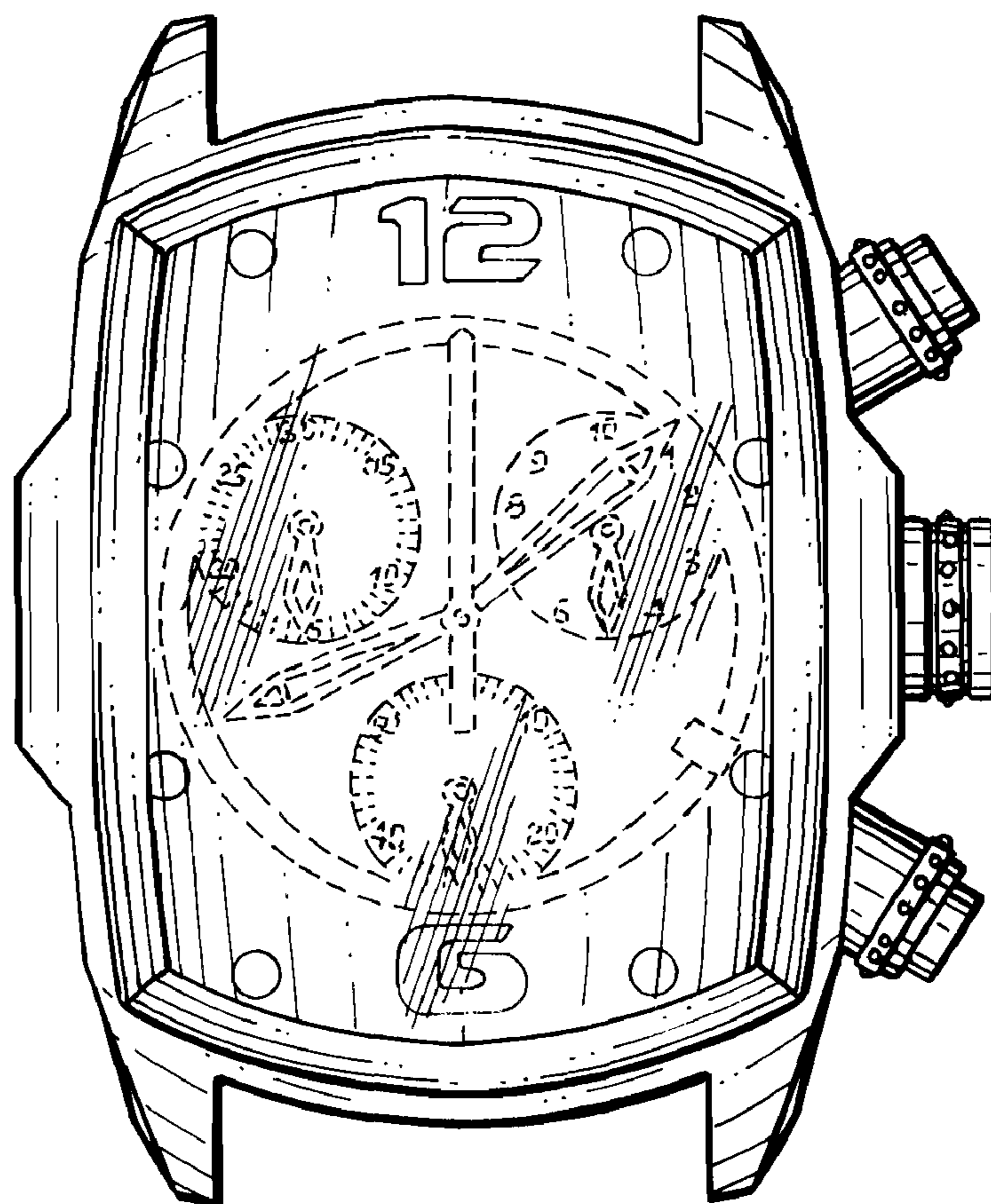
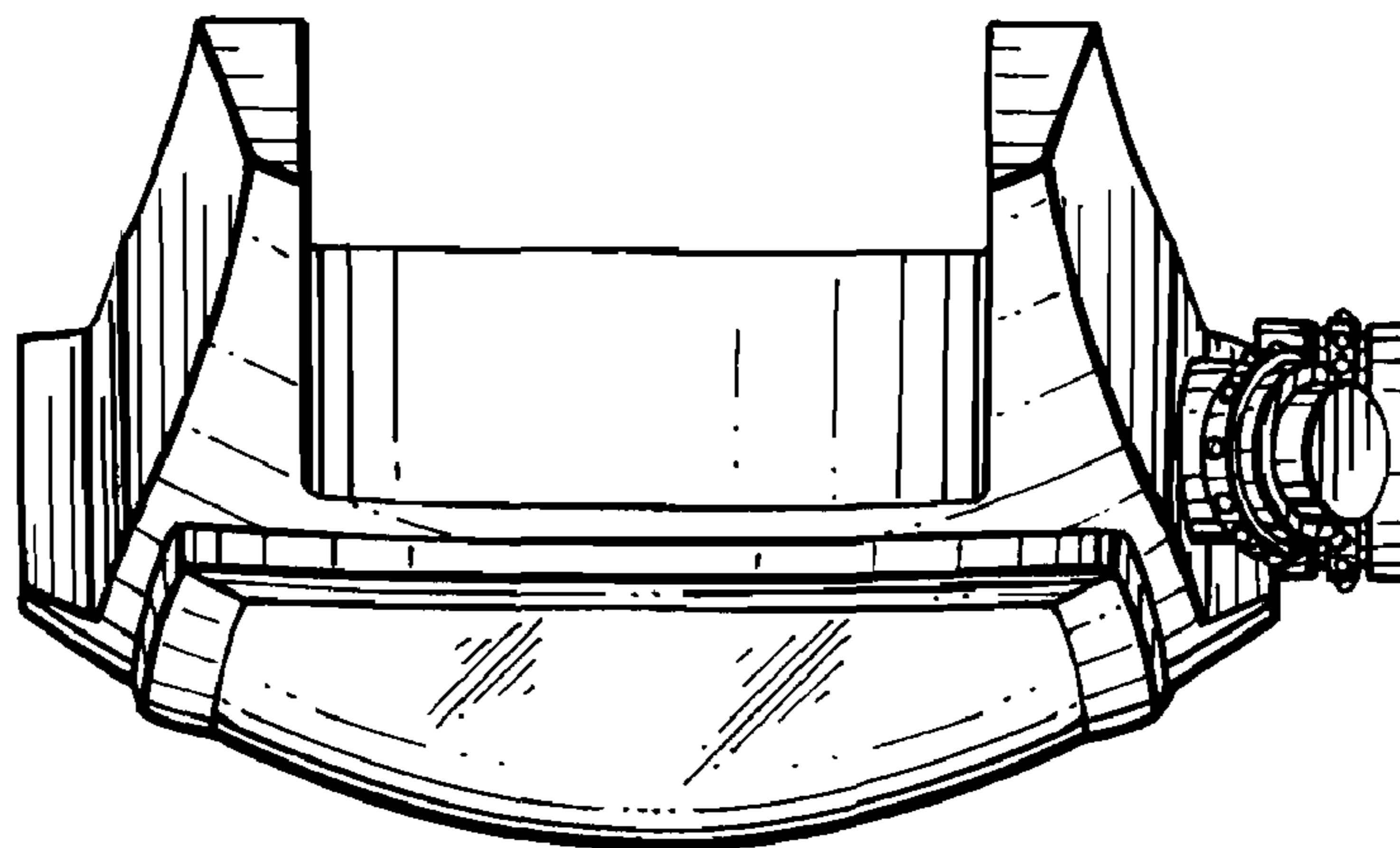


FIG. 4

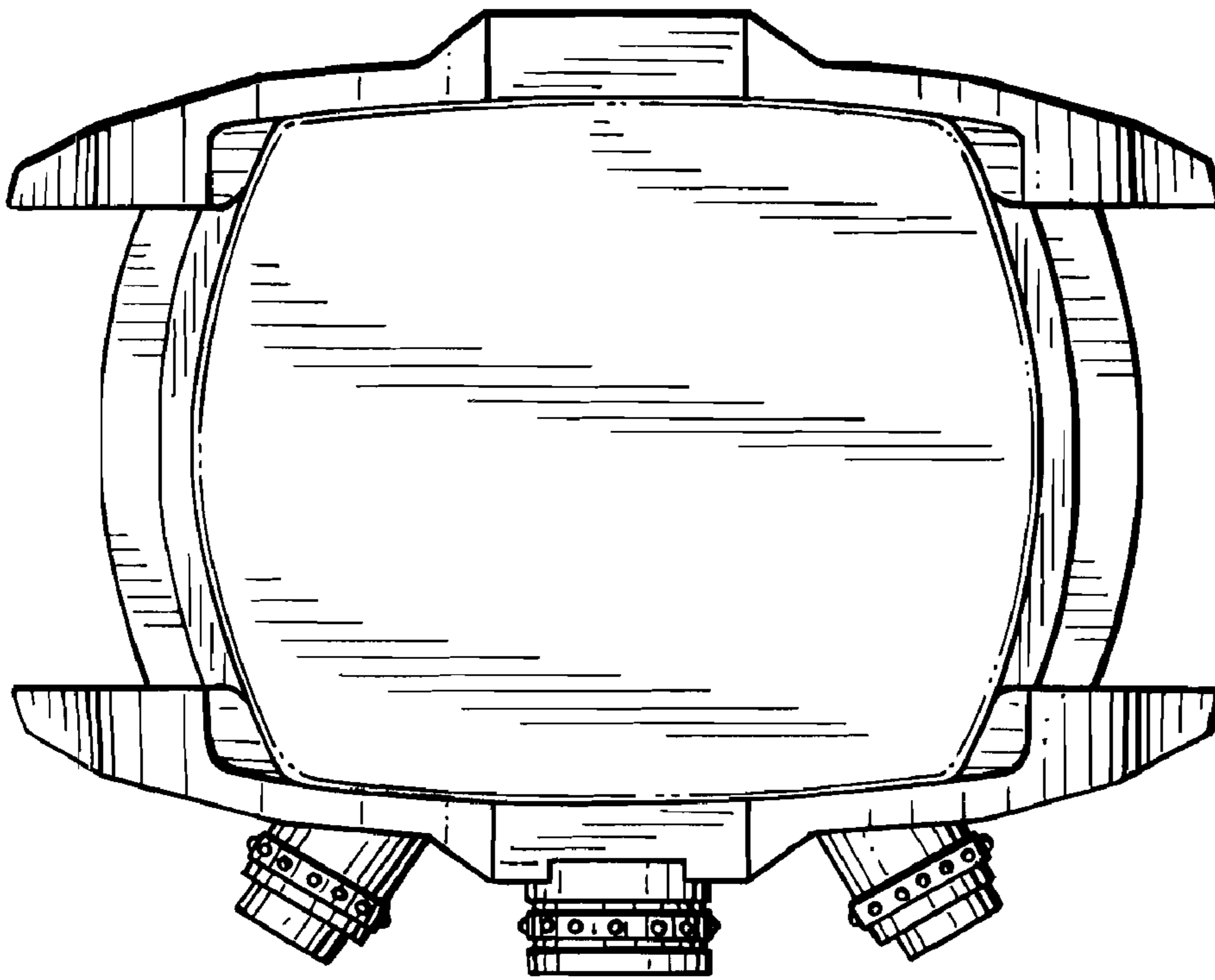


FIG. 6

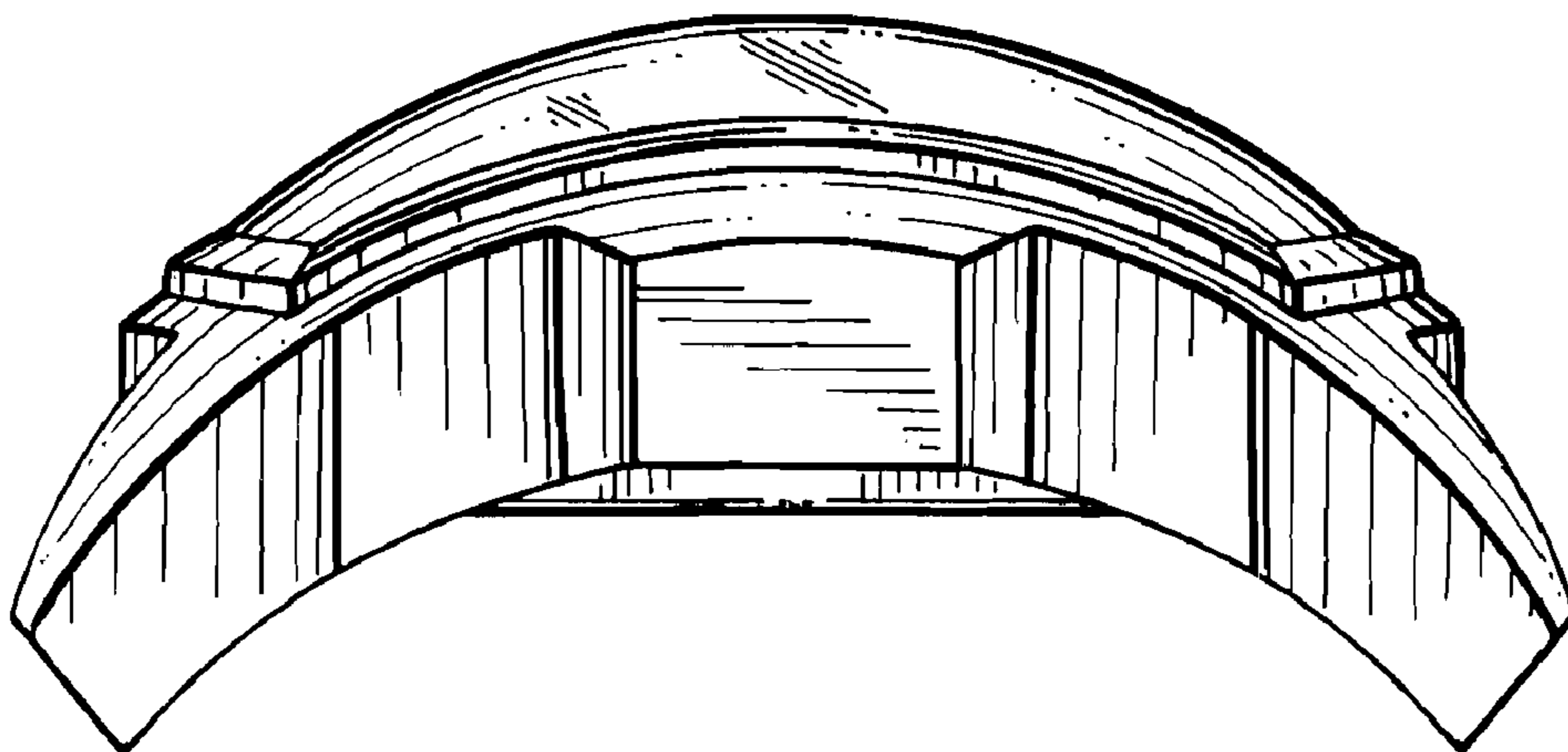


FIG. 5