



US00D612270S

(12) **United States Design Patent**
Keithline, III

(10) **Patent No.:** **US D612,270 S**

(45) **Date of Patent:** **** Mar. 23, 2010**

(54) **WATCH**

(75) **Inventor:** **W Wilson Keithline, III**, New Britain,
CT (US)

(73) **Assignee:** **Oban US LLC**, New Britain, CT (US)

(**) **Term:** **14 Years**

(21) **Appl. No.:** **29/345,655**

(22) **Filed:** **Oct. 20, 2009**

(51) **LOC (9) Cl.** **10-02**

(52) **U.S. Cl.** **D10/38**

(58) **Field of Classification Search** D10/30-39;
368/276, 281, 282, 285

See application file for complete search history.

(56) **References Cited**

U.S. PATENT DOCUMENTS

D325,352 S *	4/1992	Bulgari	D10/39
D331,707 S *	12/1992	Iwata	D10/39
D353,105 S *	12/1994	Houlihan	D10/30
D360,369 S *	7/1995	Wong et al.	D10/38
D377,315 S *	1/1997	Moriai et al.	D10/38
D379,314 S *	5/1997	Houlihan	D10/38
D383,396 S *	9/1997	Houlihan	D10/30
D386,975 S *	12/1997	Yamamoto	D10/30
D393,807 S *	4/1998	Houlihan et al.	D10/32
D395,402 S *	6/1998	Goto	D10/30
D397,300 S *	8/1998	Chen	D10/30

D416,812 S *	11/1999	Houlihan et al.	D10/30
D417,401 S *	12/1999	Houlihan et al.	D10/30
D444,714 S *	7/2001	Streltsov	D10/30
D455,967 S *	4/2002	Koo	D10/32
D459,241 S *	6/2002	Bodino	D10/32
D459,662 S *	7/2002	Ramos, Jr.	D10/30
D459,664 S *	7/2002	Koo	D10/32
D555,516 S *	11/2007	Sugiura	D10/31
D599,680 S *	9/2009	Schoepfer	D10/32

* cited by examiner

Primary Examiner—Lucy Lieberman

(74) *Attorney, Agent, or Firm*—Alix, Yale & Ristas, LLP

(57) **CLAIM**

The ornamental design for the watch, as shown and described.

DESCRIPTION

FIG. 1 is a perspective view of a watch showing my new design;

FIG. 2 is a front view thereof;

FIG. 3 is a rear view thereof;

FIG. 4 is a top plan view thereof;

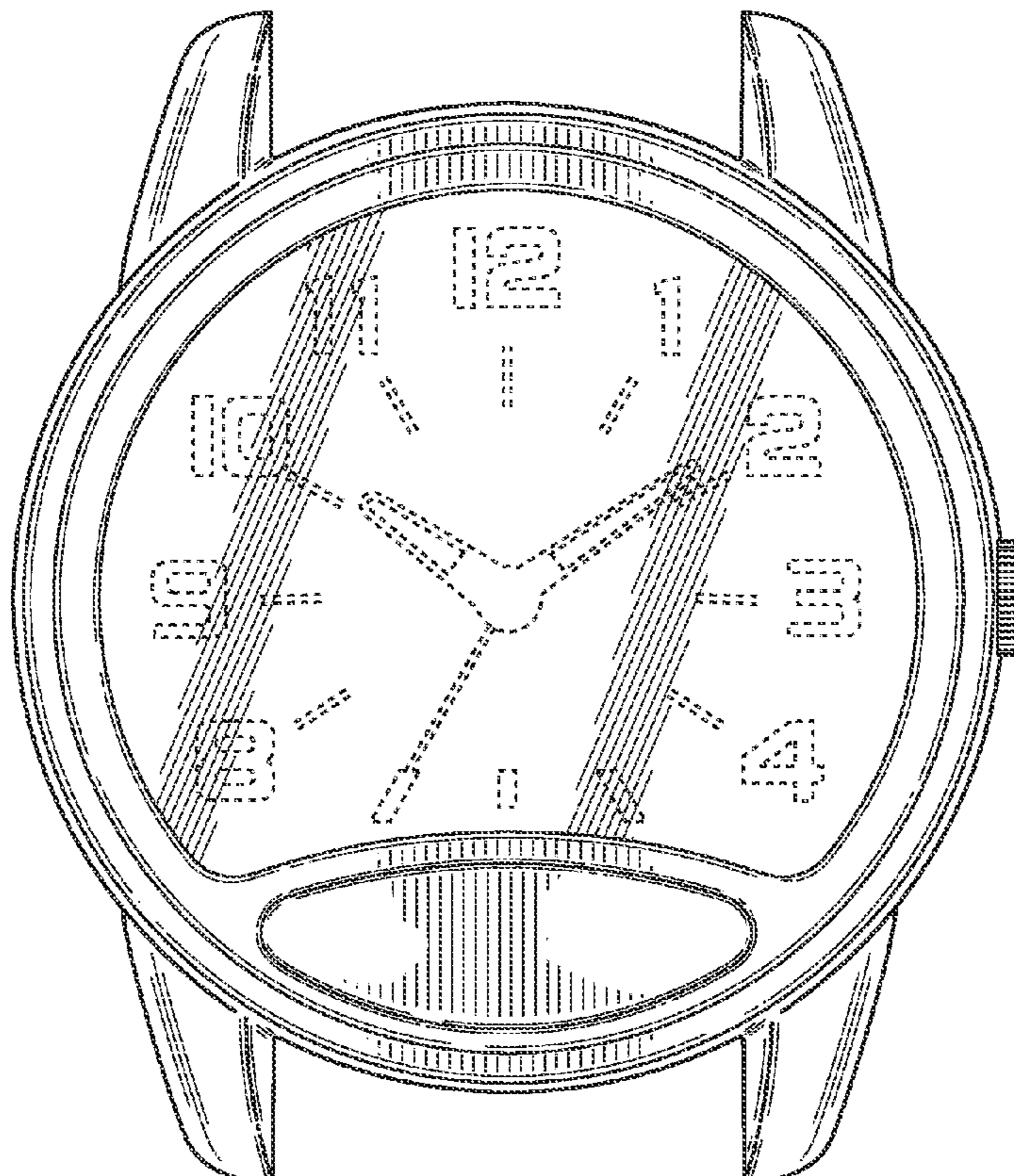
FIG. 5 is a bottom plan view thereof;

FIG. 6 is a right side view thereof; and,

FIG. 7 is a left side view thereof.

No claim is made to the portions shown in broken lines.

1 Claim, 7 Drawing Sheets



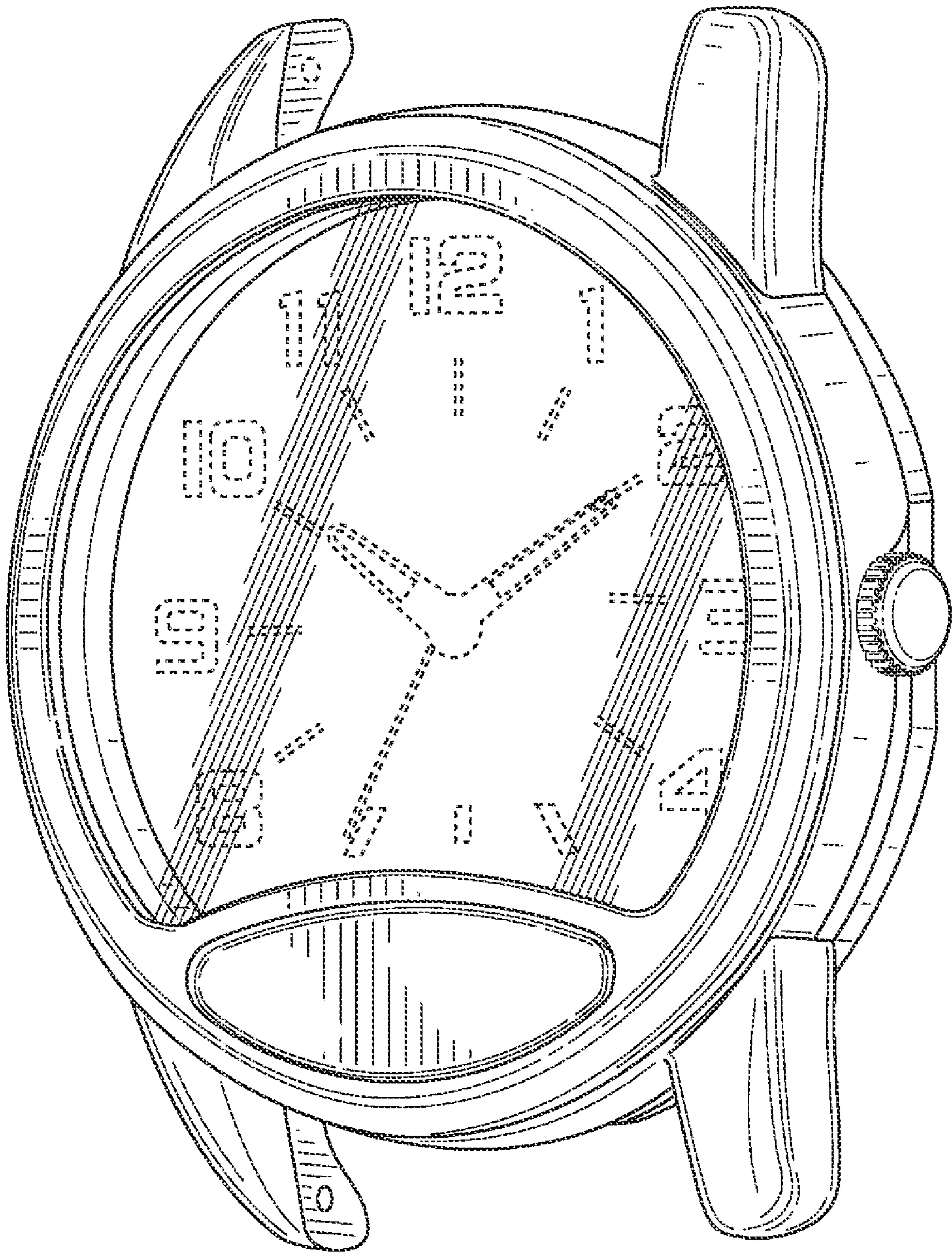


FIG. 1

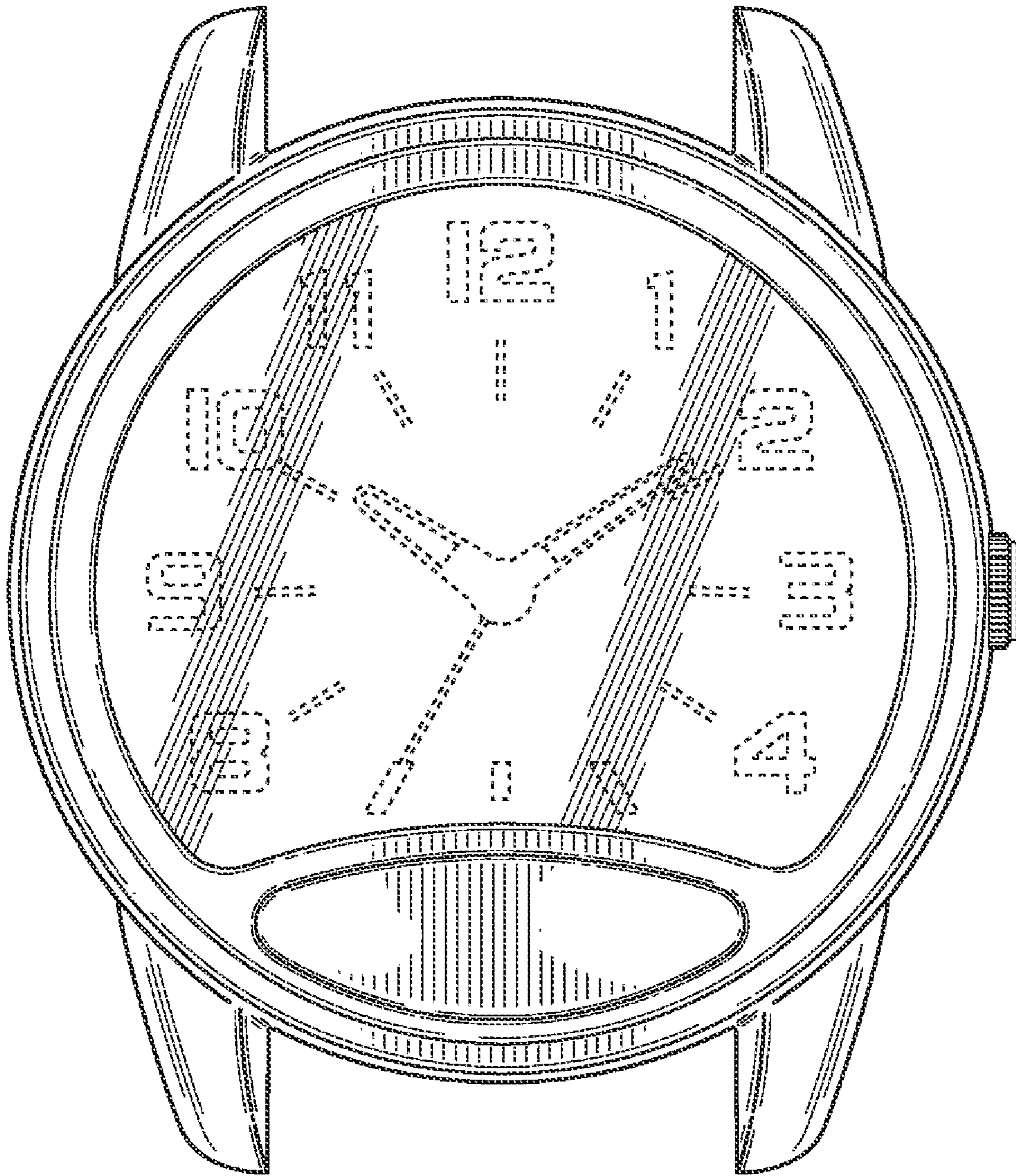


FIG. 2

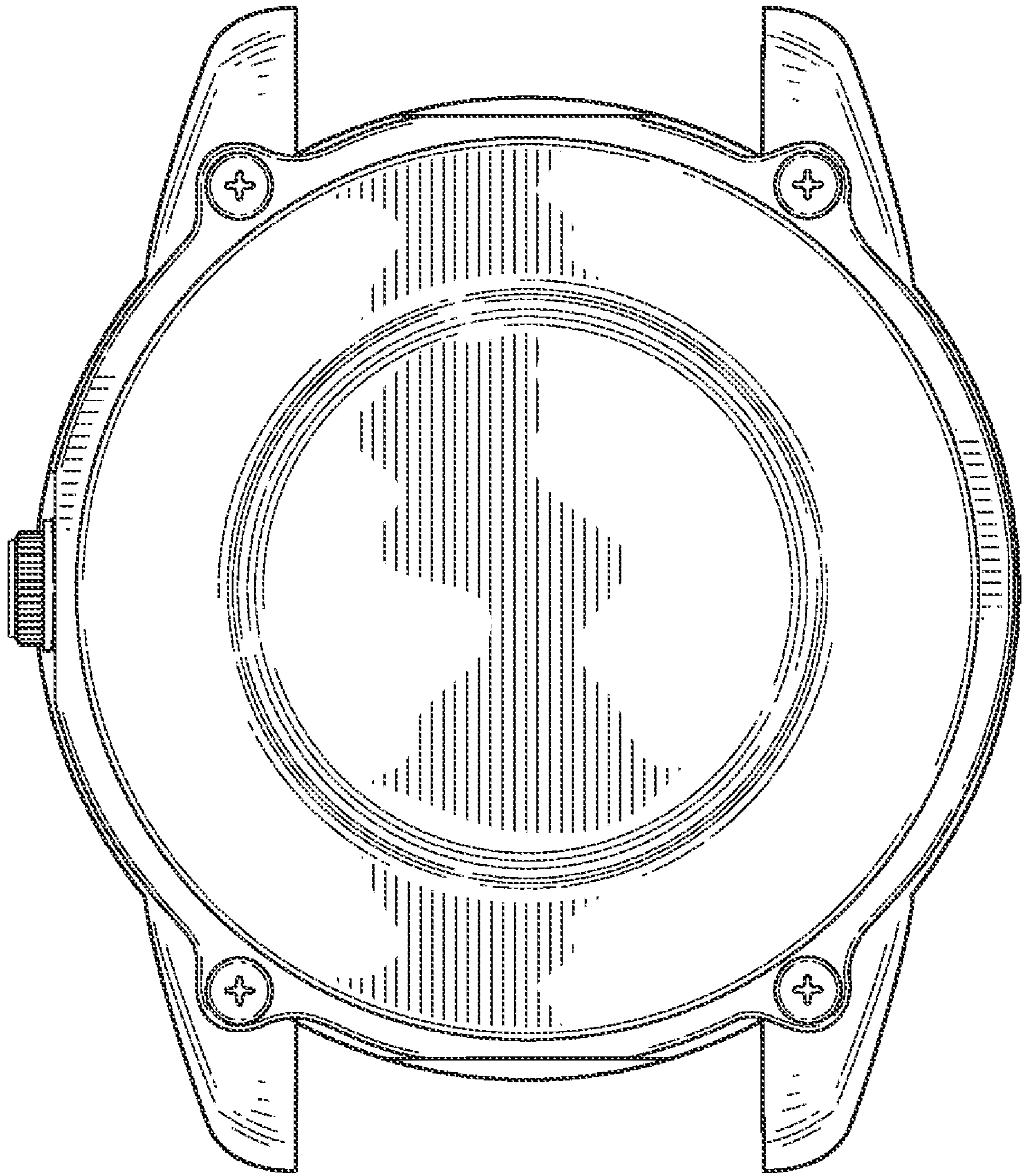


FIG. 3

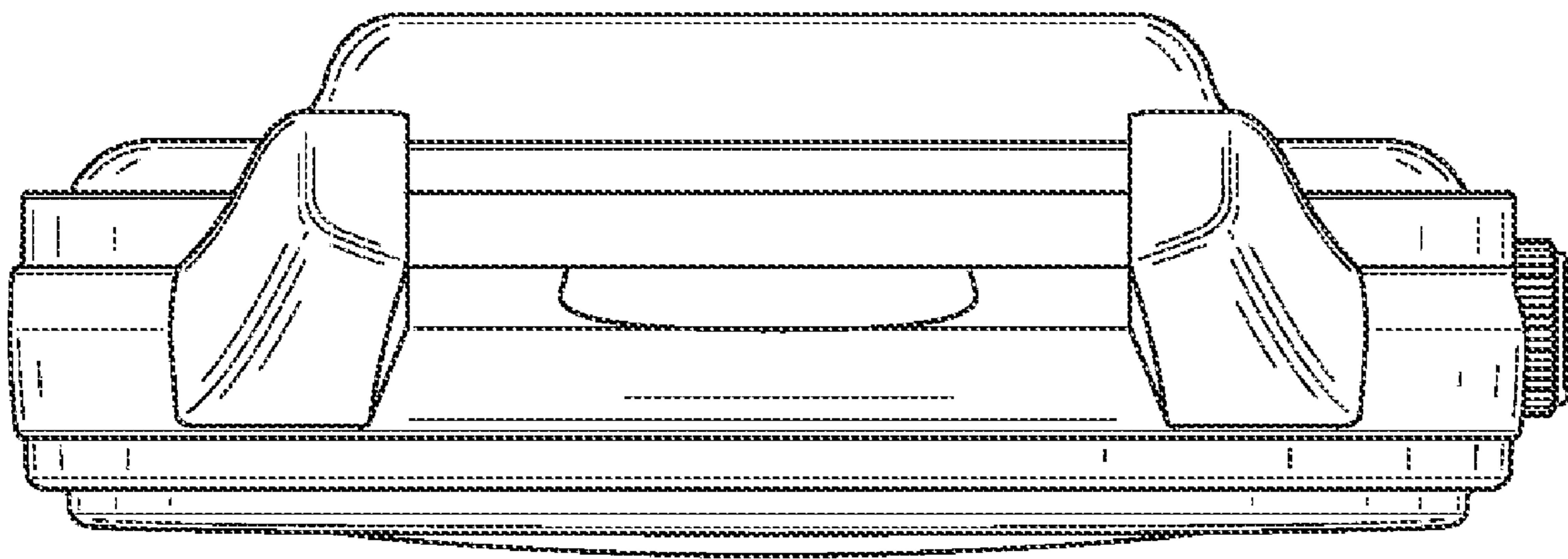


FIG. 4

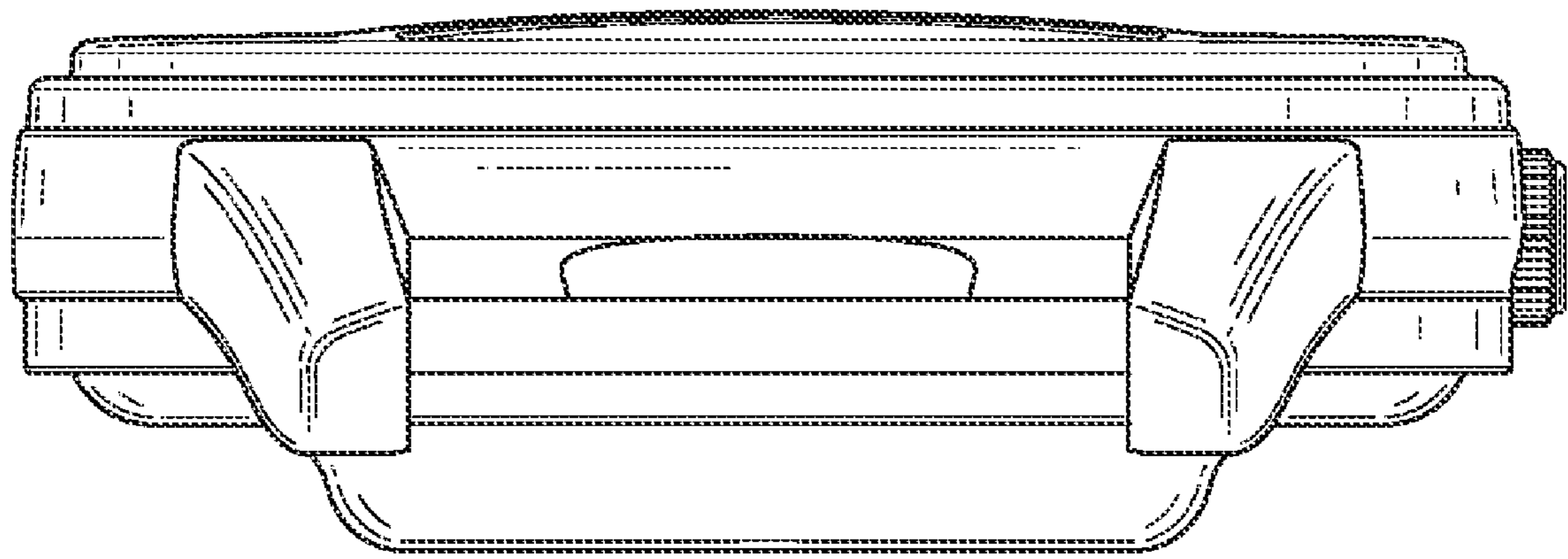


FIG. 5

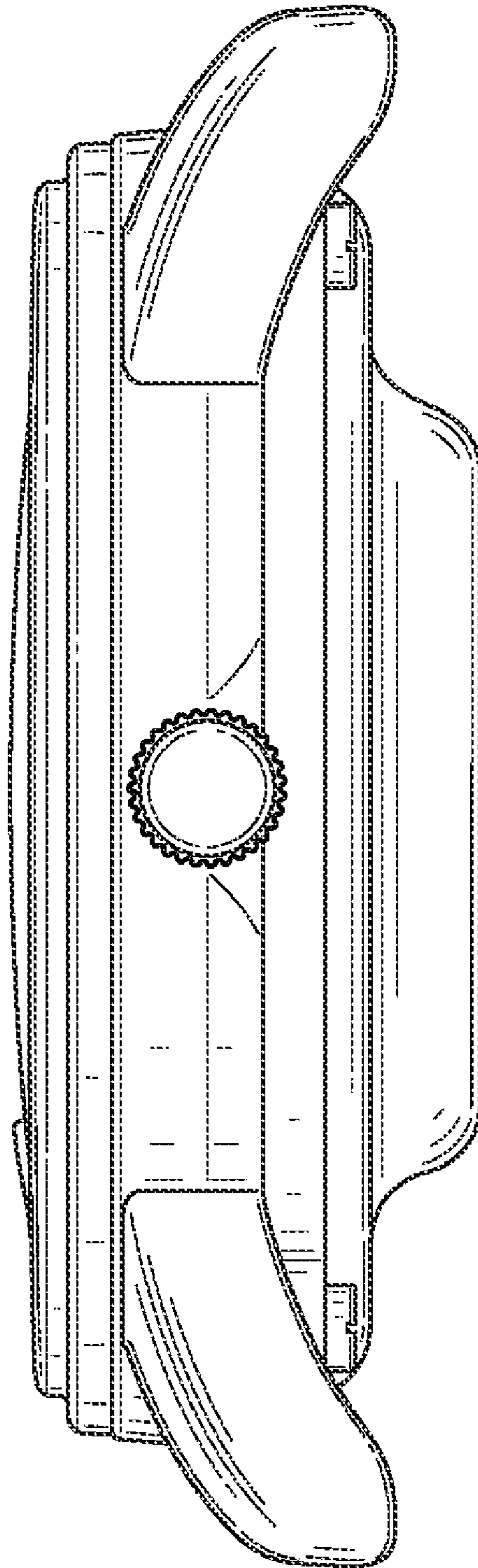


FIG. 6

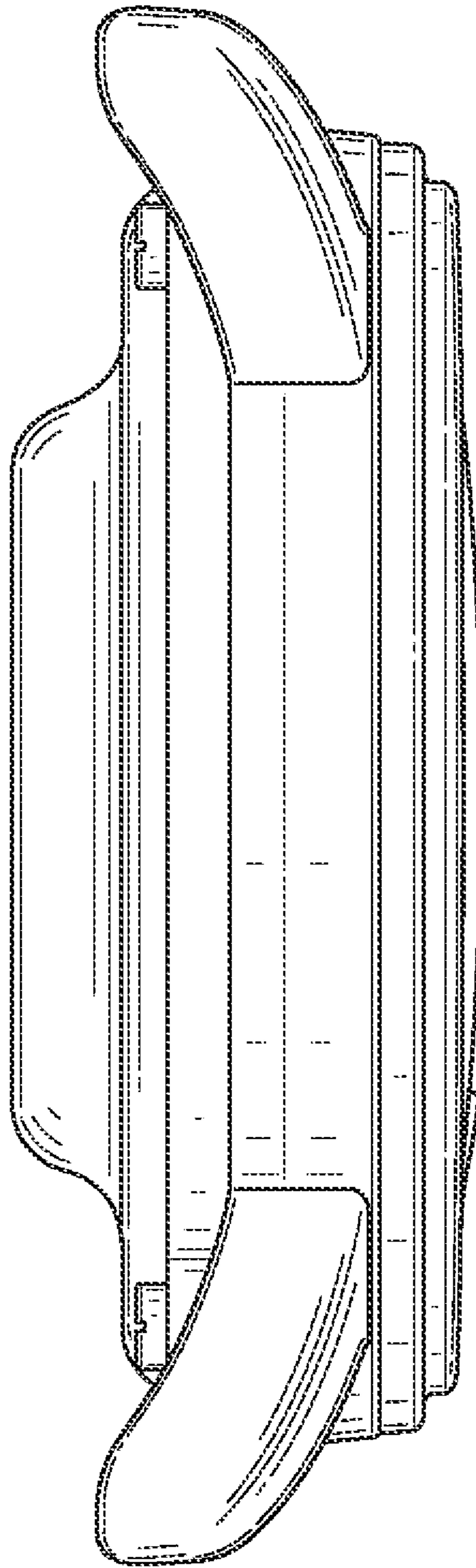


FIG. 7