



US00D612269S

(12) **United States Design Patent**
Leung

(10) **Patent No.:** **US D612,269 S**
(45) **Date of Patent:** **** Mar. 23, 2010**

(54) **SLAP-ON WATCH**

(75) Inventor: **Chun Fai Leung**, Kowloon (HK)

(73) Assignee: **P.S.L. Limited**, Kowloon (HK)

(**) Term: **14 Years**

(21) Appl. No.: **29/341,810**

(22) Filed: **Aug. 13, 2009**

(51) **LOC (9) Cl.** **10-02**

(52) **U.S. Cl.** **D10/32**

(58) **Field of Classification Search** D10/30-39;
368/276, 281, 282, 285; D11/3, 4, 5
See application file for complete search history.

(56) **References Cited**

U.S. PATENT DOCUMENTS

1,752,128	A	*	3/1930	Vetter	368/282
2,186,089	A	*	1/1940	Baker	224/168
2,473,226	A	*	6/1949	Sheldon	224/219
3,545,198	A	*	12/1970	Loftus	368/281
D243,318	S	*	2/1977	Kurihara	D10/32
D310,035	S	*	8/1990	Braun et al.	D10/32
5,051,967	A	*	9/1991	Dismond, III	368/62
D340,650	S	*	10/1993	Iwamura	D10/32
D347,589	S	*	6/1994	LaBate	D10/74
5,980,060	A	*	11/1999	Chien	362/103
D433,949	S	*	11/2000	Helleu	D10/30

D455,356	S	*	4/2002	Saffer	D10/32
D510,037	S	*	9/2005	Modolo	D10/32
D552,491	S	*	10/2007	Vidal	D10/38
D559,723	S	*	1/2008	Kraus et al.	D11/3
D566,580	S	*	4/2008	Giorgio	D10/32
D581,826	S	*	12/2008	Molyneux	D11/2

* cited by examiner

Primary Examiner—Lucy Lieberman

(57) **CLAIM**

The ornamental design for a slap-on watch, as shown and described.

DESCRIPTION

FIG. 1 is a front elevational view of a slap-on watch showing my new design;

FIG. 2 is a rear elevational view thereof;

FIG. 3 is a left side view thereof;

FIG. 4 is a right side view thereof;

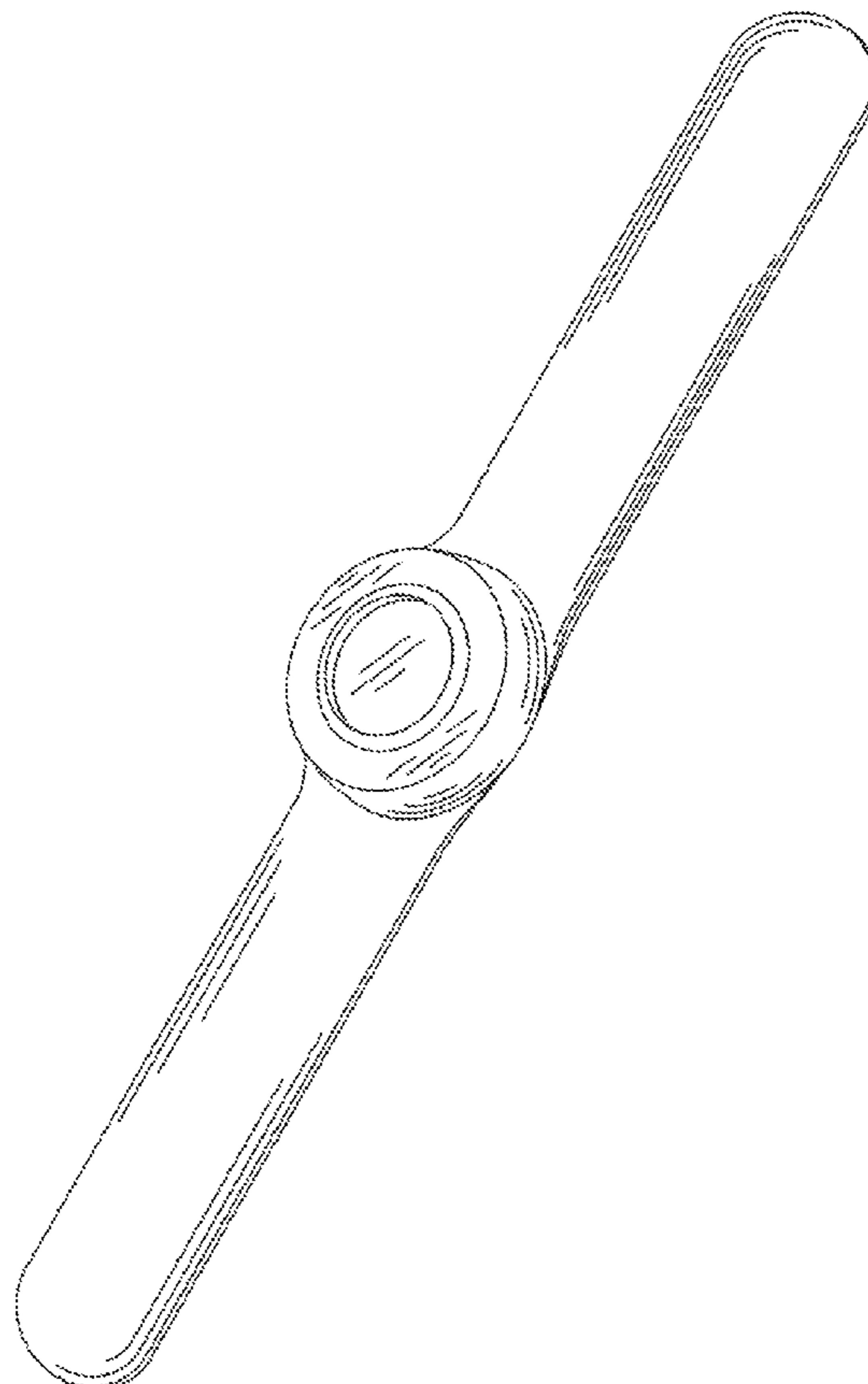
FIG. 5 is a bottom plan view thereof;

FIG. 6 is a top plan view thereof;

FIG. 7 is an enlarged perspective view of the slap-on watch with the watch band shown in an assembled position; and,

FIG. 8 is a perspective view of FIG. 1.

1 Claim, 4 Drawing Sheets



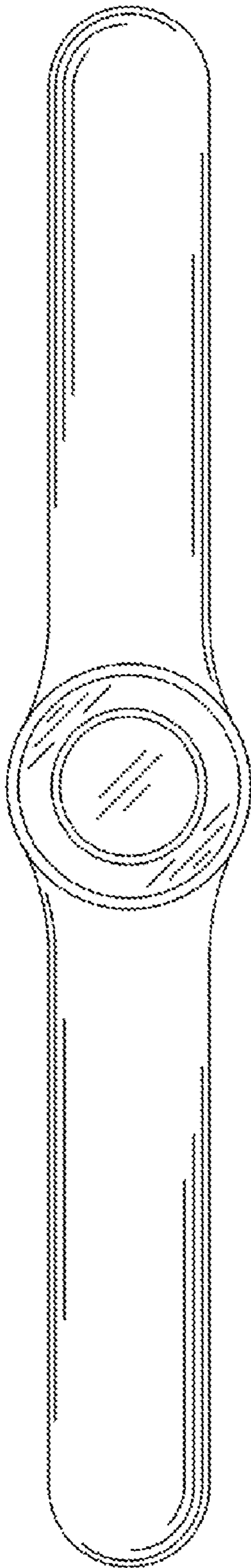


FIG. 1

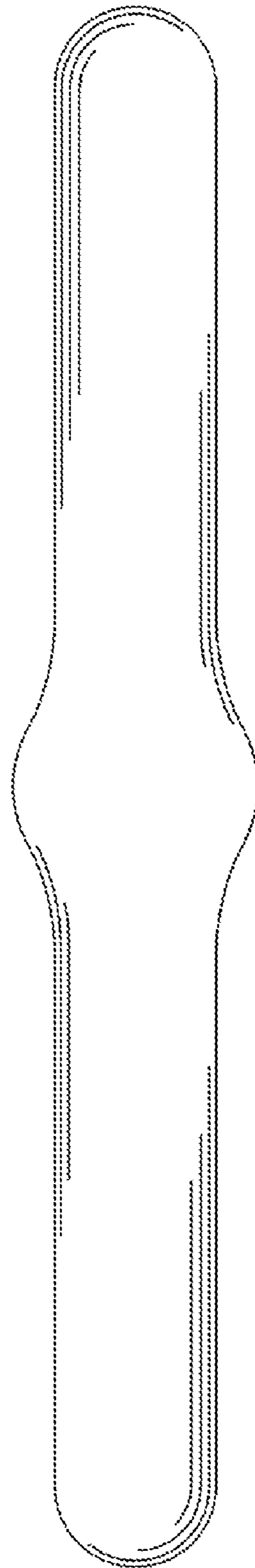


FIG. 2

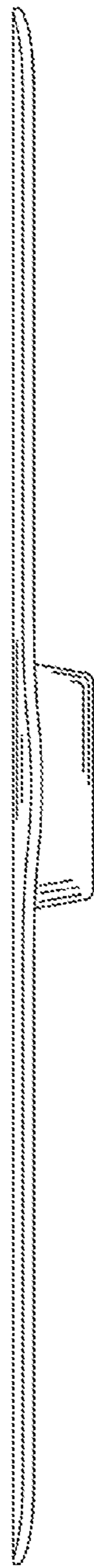


FIG. 3

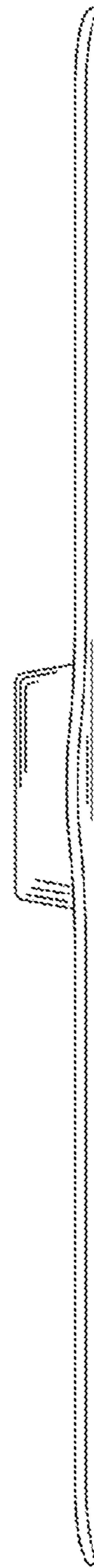


FIG. 4



FIG. 5

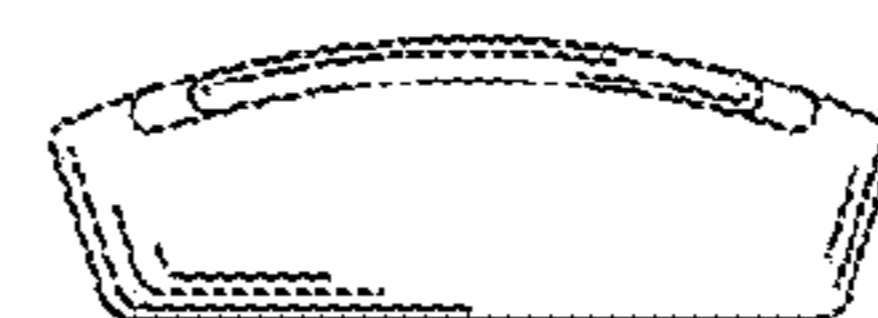


FIG. 6

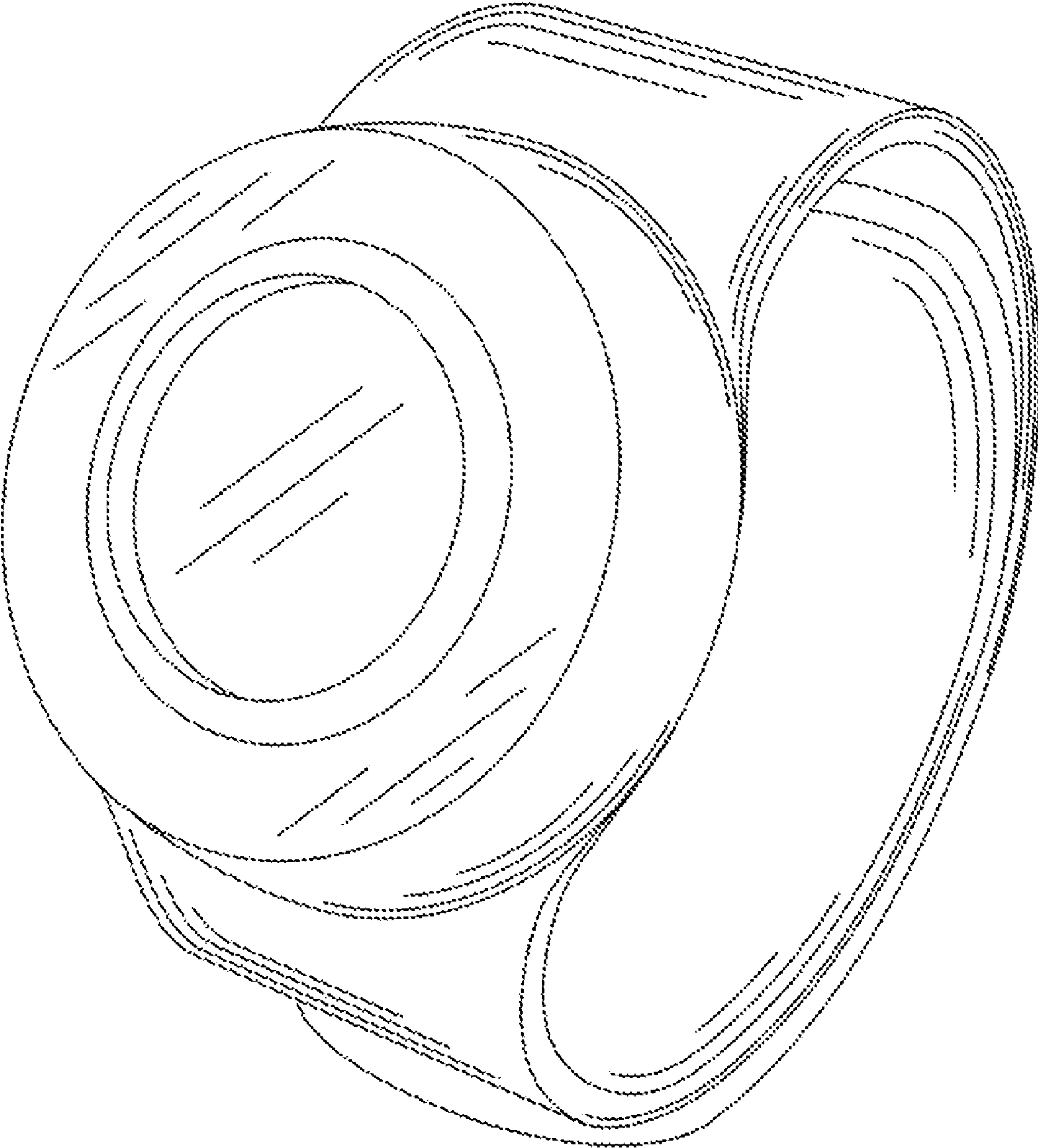


FIG. 7

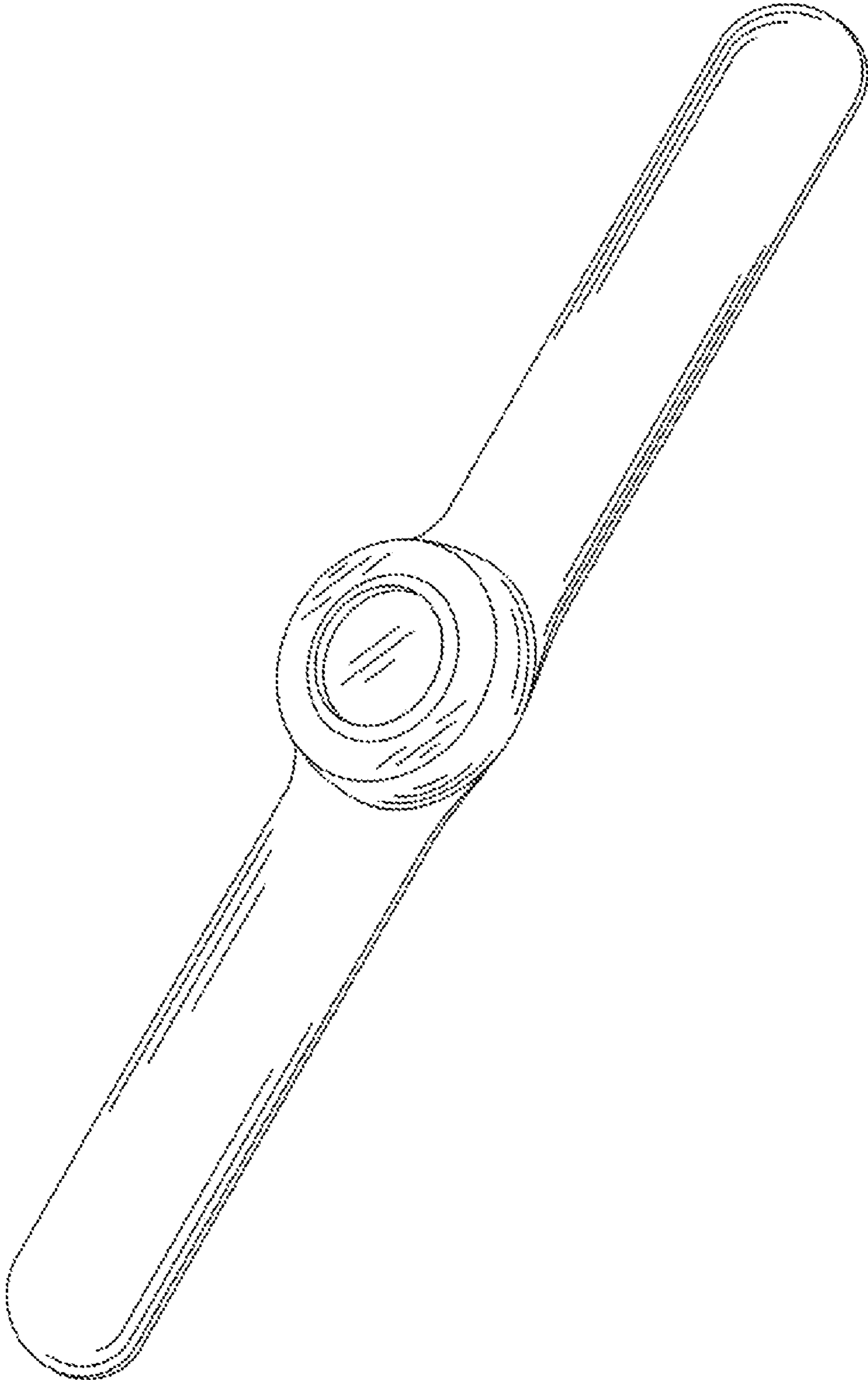


FIG. 8