



US00D612268S

(12) **United States Design Patent**  
**Sadler et al.**

(10) **Patent No.:** **US D612,268 S**  
(45) **Date of Patent:** **\*\* Mar. 23, 2010**

(54) **ALARM CLOCK**

(75) Inventors: **Catherine Sadler**, New York, NY (US);  
**Scott Chapps**, New York, NY (US);  
**David Malina**, New York, NY (US)

(73) Assignee: **MerchSource, LLC**, Foothill Ranch, CA (US)

(\*\*) Term: **14 Years**

(21) Appl. No.: **29/325,420**

(22) Filed: **Sep. 30, 2008**

(51) **LOC (9) Cl.** ..... **10-01**

(52) **U.S. Cl.** ..... **D10/15**

(58) **Field of Classification Search** ..... D10/1-29;  
368/316, 317, 276, 250, 263, 82-84  
See application file for complete search history.

(56) **References Cited**

U.S. PATENT DOCUMENTS

D250,254 S *	11/1978	Booty	.....	D10/15
D257,235 S *	10/1980	Cheung	.....	D10/15
D268,011 S *	2/1983	Bryk et al.	.....	D10/15
D270,522 S *	9/1983	Cook	.....	D10/15
4,487,512 A *	12/1984	Price	.....	368/66
D279,268 S *	6/1985	Henkels	.....	D10/26
D298,416 S *	11/1988	Rakocy	.....	D10/40
D311,141 S *	10/1990	Murata	.....	D10/15
D331,018 S *	11/1992	Watanabe et al.	.....	D10/2
D375,689 S *	11/1996	Wong	.....	D10/15
D375,902 S *	11/1996	Wong	.....	D10/15
D398,858 S *	9/1998	Taylor	.....	D10/15
D413,812 S *	9/1999	Duke	.....	D10/18
D424,950 S *	5/2000	Martinez	.....	D10/15
D451,816 S *	12/2001	Sato	.....	D10/15
D452,656 S *	1/2002	So	.....	D10/15
D476,239 S *	6/2003	Hsu	.....	D10/18

D476,579 S *	7/2003	Harris et al.	.....	D10/18
D481,958 S *	11/2003	Kibiloski et al.	.....	D10/15
D497,556 S *	10/2004	Hsu	.....	D10/15
D502,113 S *	2/2005	Bhavnani	.....	D10/18
D585,652 S *	2/2009	Kuo	.....	D6/308

\* cited by examiner

*Primary Examiner*—Lucy Lieberman

(74) *Attorney, Agent, or Firm*—The Eclipse Group LLP

(57) **CLAIM**

We claim the ornamental design for an alarm clock, as shown and described.

**DESCRIPTION**

FIG. 1 is a front perspective view of an alarm clock.

FIG. 2 is a rear perspective view of the alarm clock illustrated in FIG. 1.

FIG. 3 is a front elevational view of the alarm clock illustrated in FIG. 1.

FIG. 4 is a rear elevational view of the alarm clock illustrated in FIG. 1.

FIG. 5 is an elevational view of the left side of the alarm clock illustrated in FIG. 1.

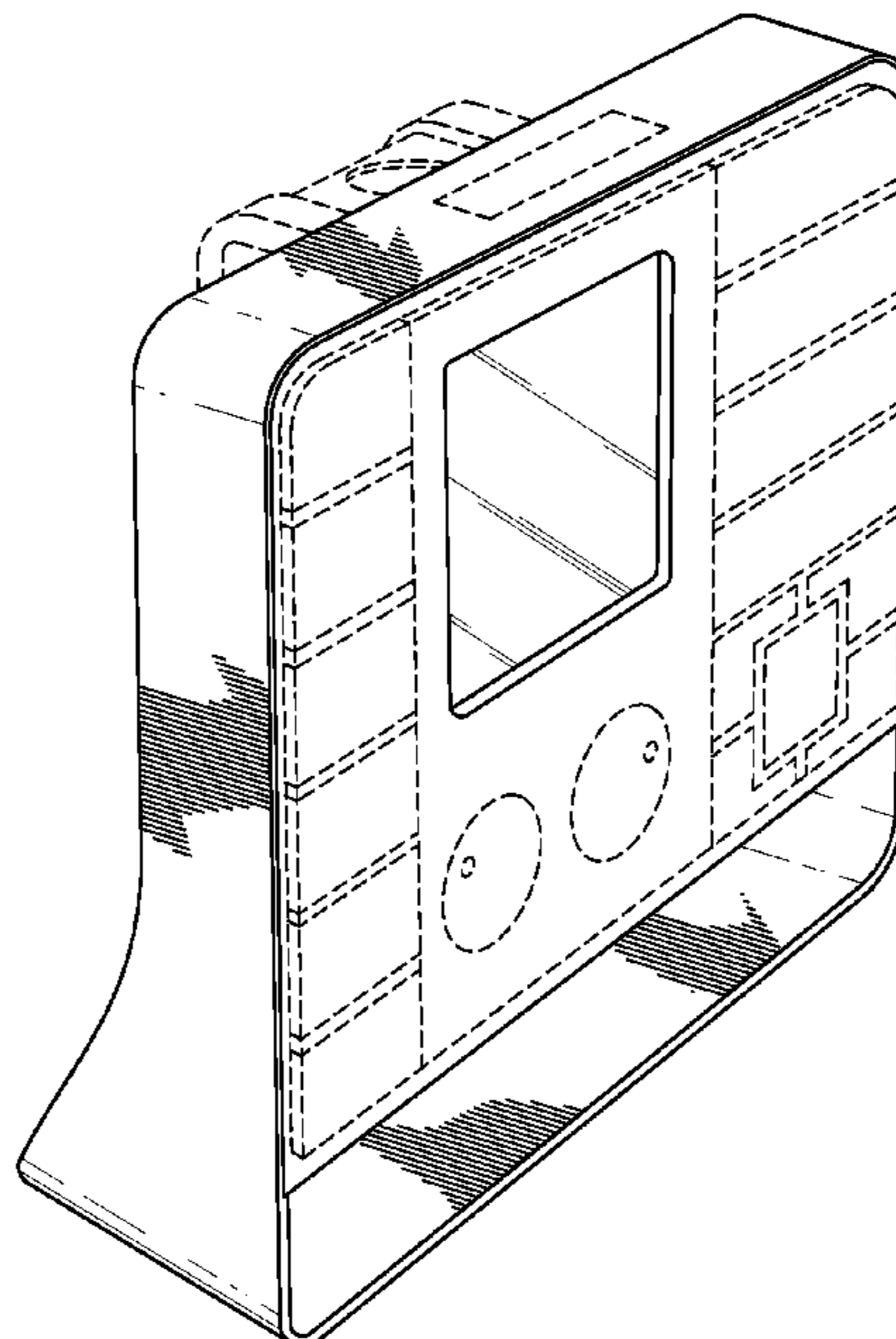
FIG. 6 is an elevational view of the right side of the alarm clock illustrated in FIG. 1.

FIG. 7 is a top plan view of the alarm clock illustrated in FIG. 1; and,

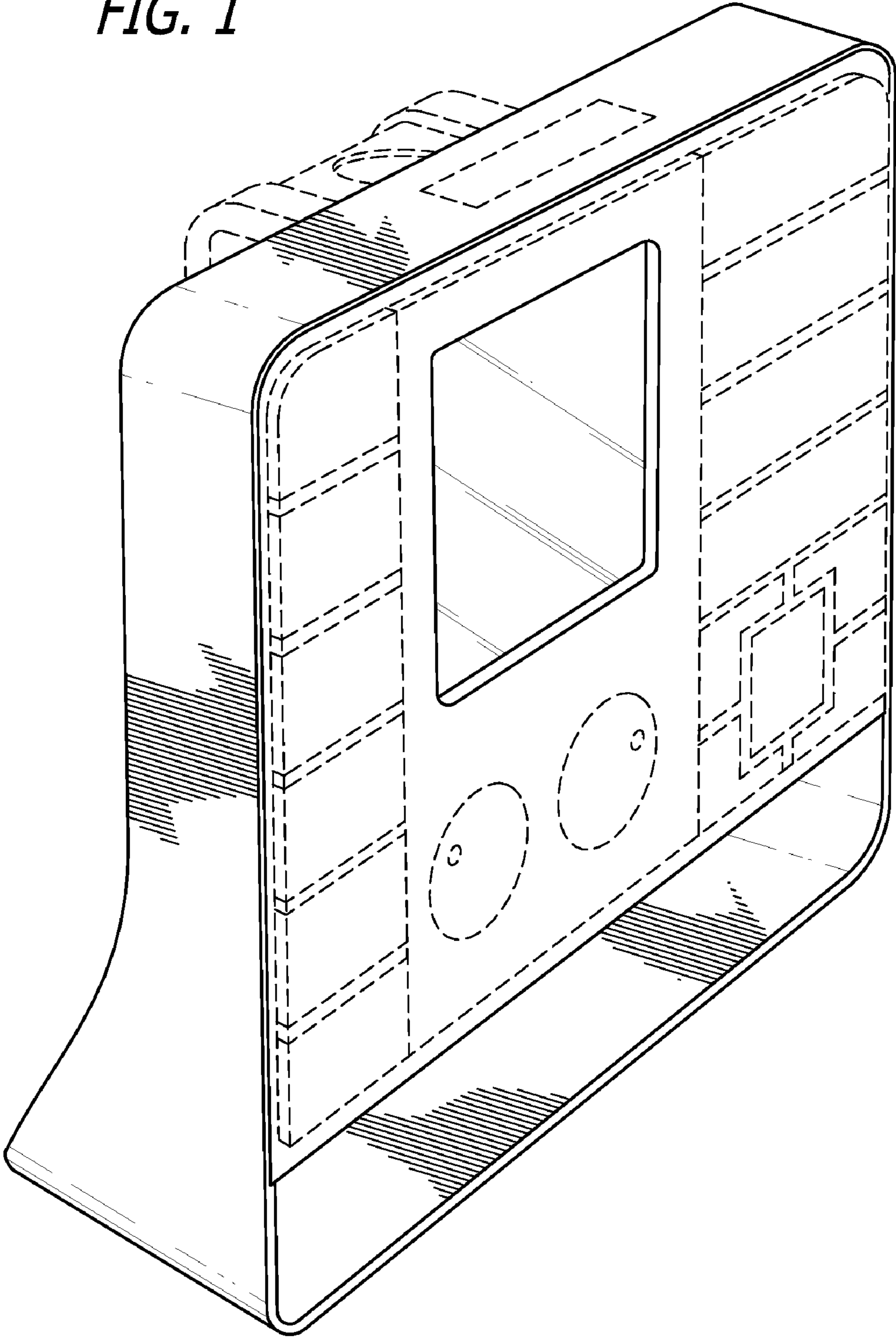
FIG. 8 is a bottom plan view of the alarm clock illustrated in FIG. 1.

The portions of the alarm clock in broken lines are shown for illustrative purposes only and form no part of the claimed design.

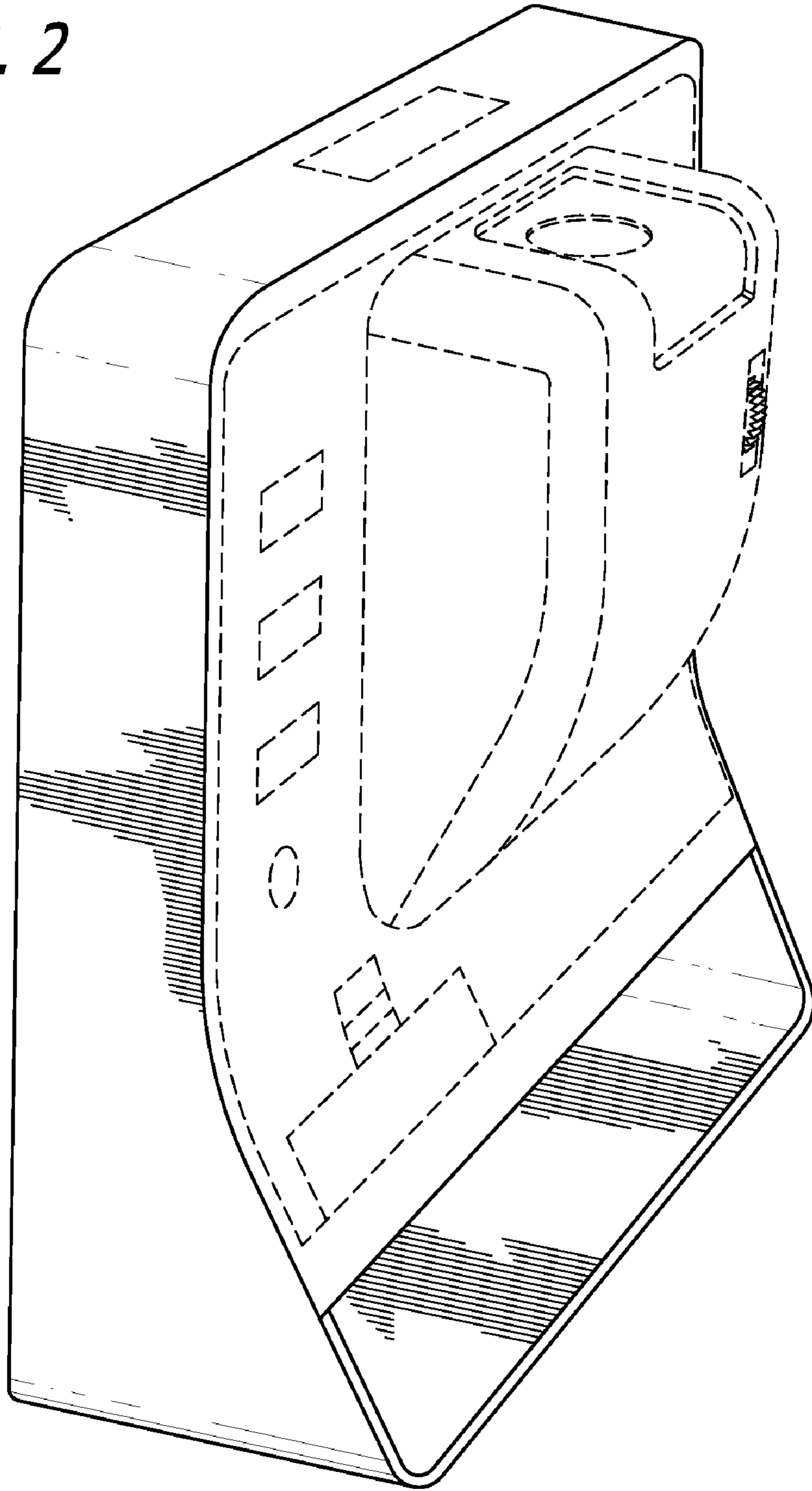
**1 Claim, 6 Drawing Sheets**



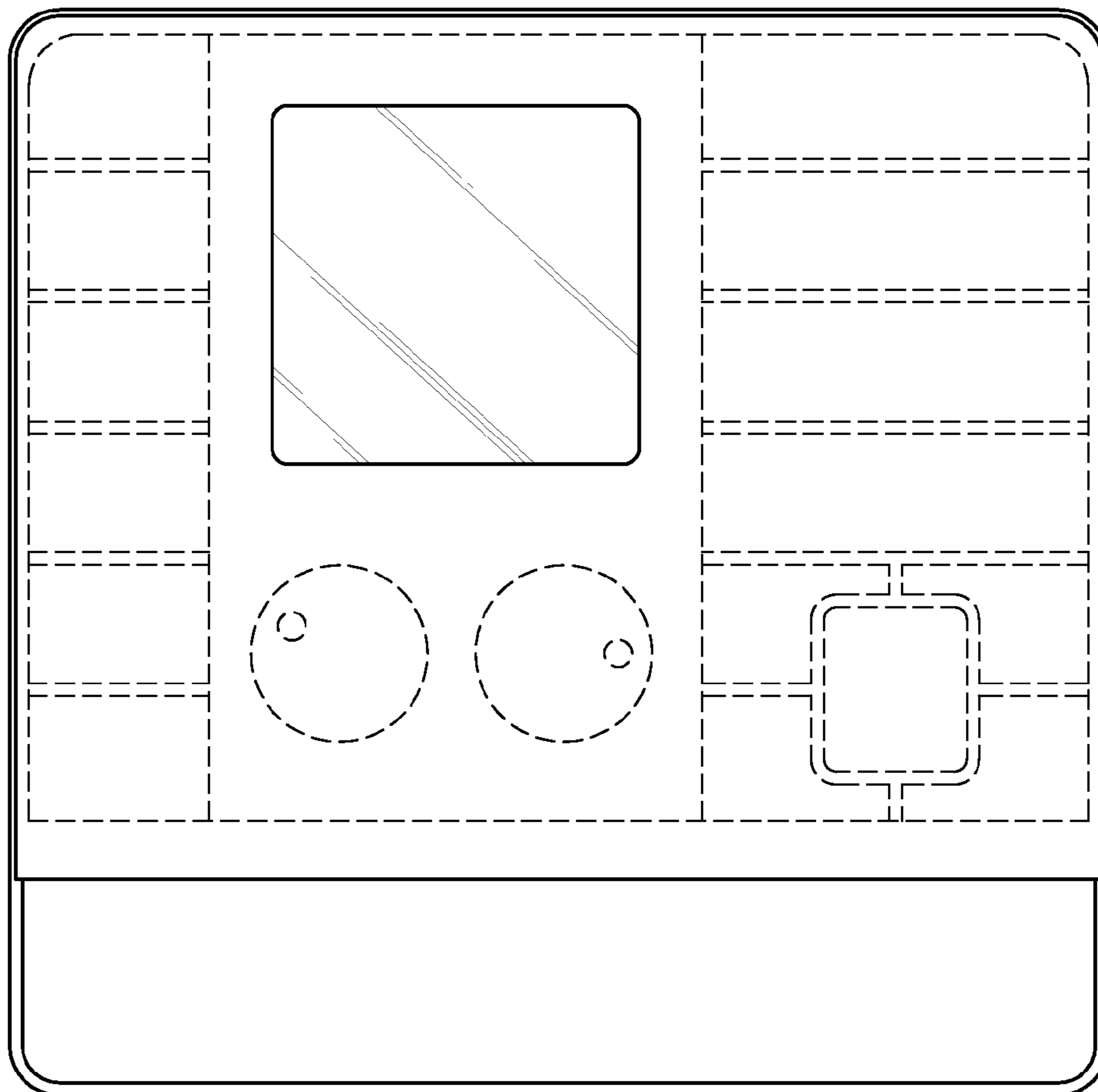
*FIG. 1*



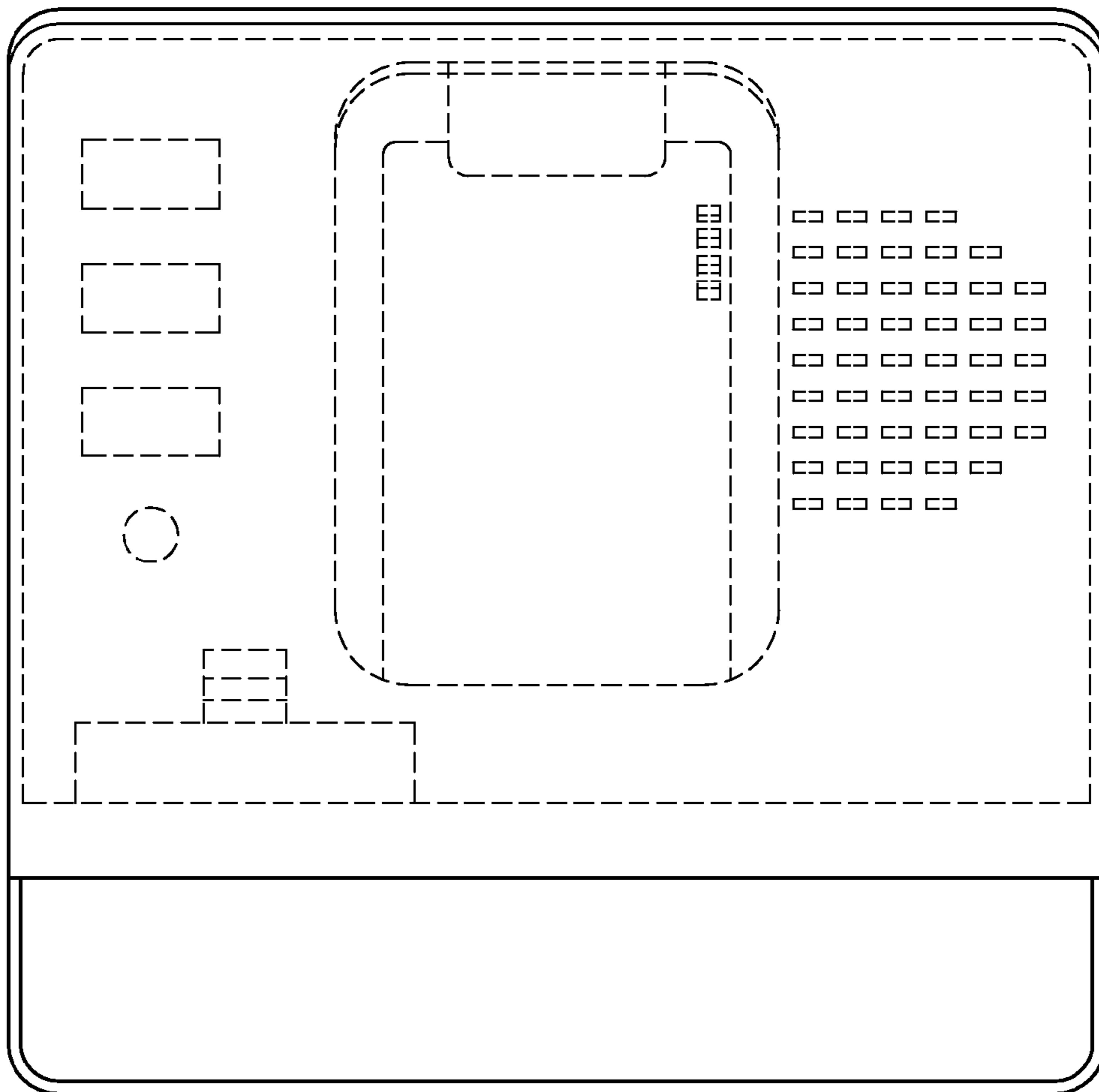
*FIG. 2*

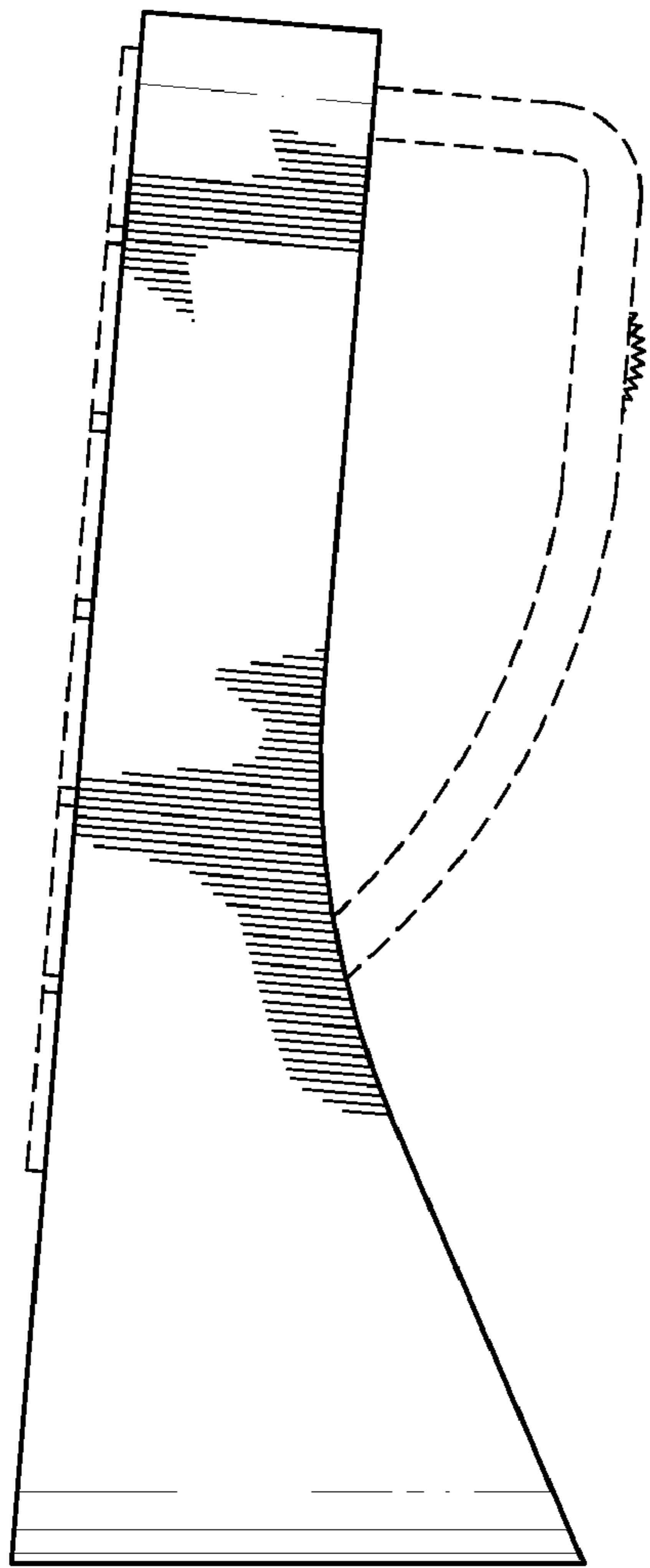


*FIG. 3*

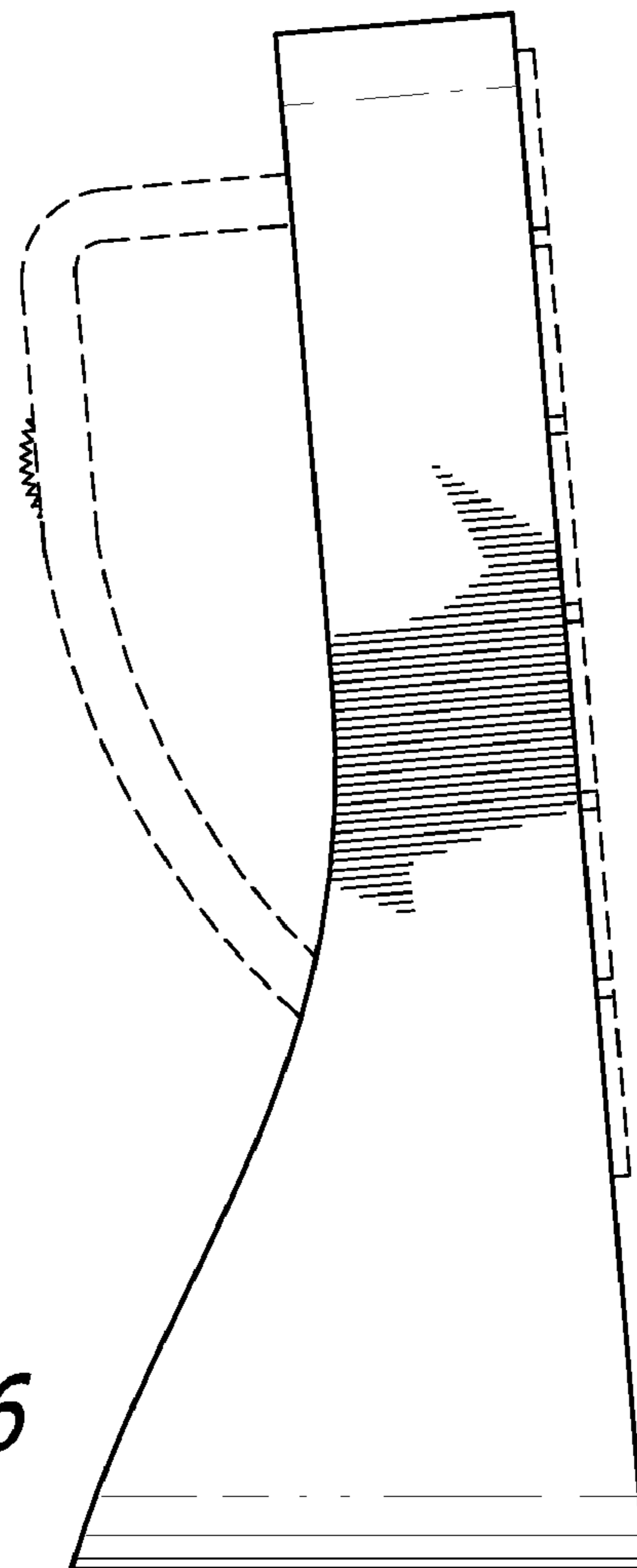


*FIG. 4*



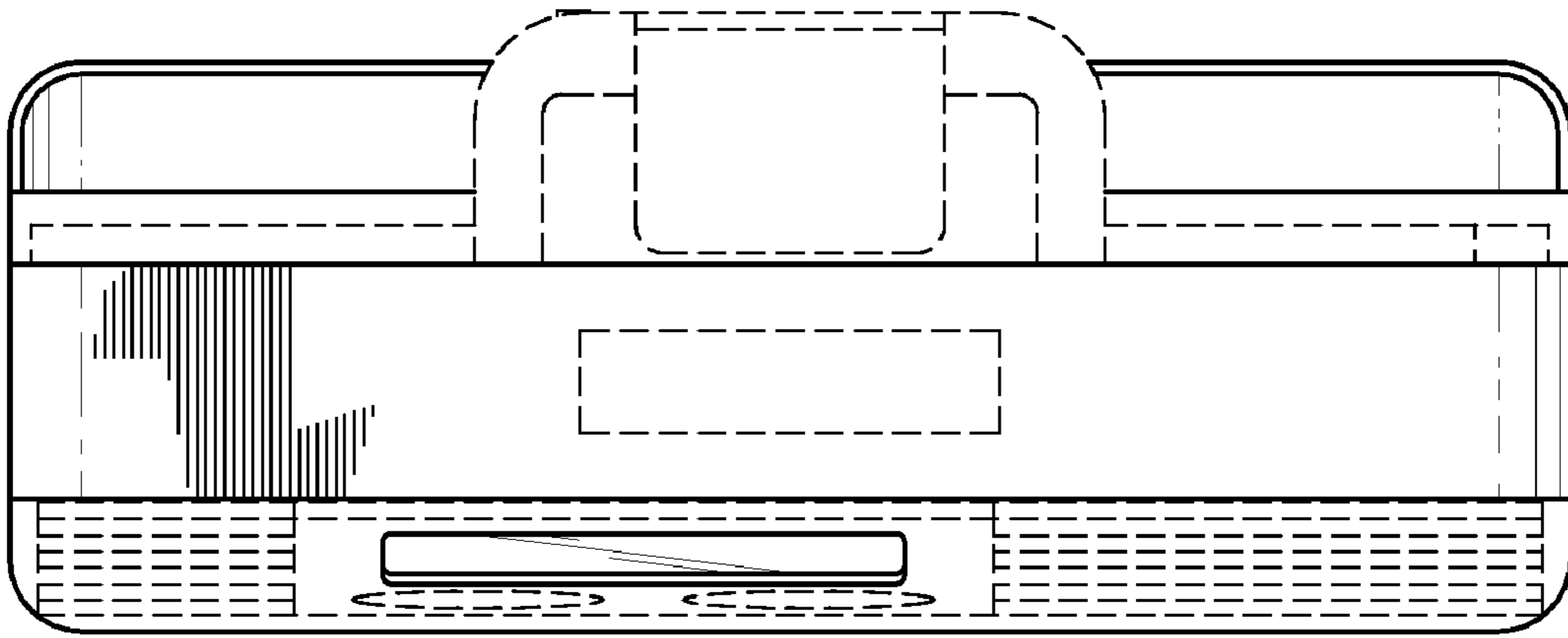


*FIG. 5*

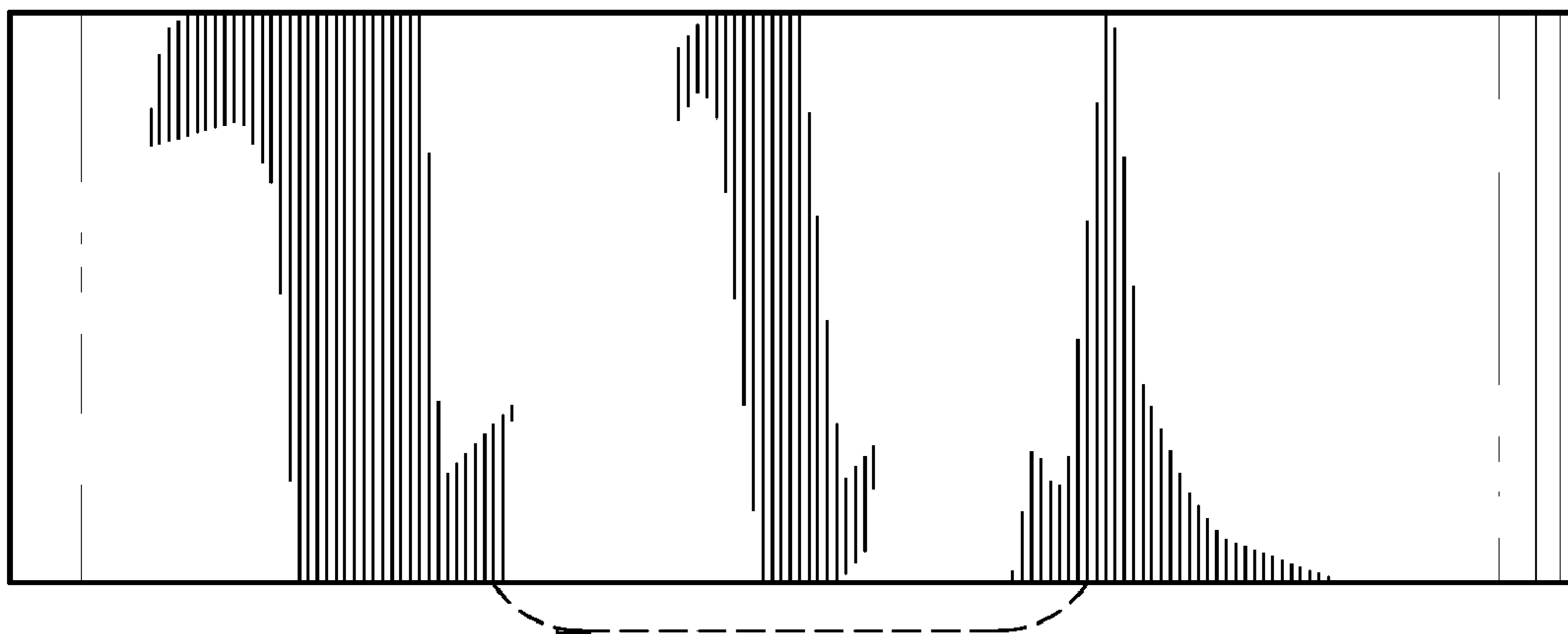


*FIG. 6*





*FIG. 7*



*FIG. 8*