



US00D612256S

(12) **United States Design Patent**  
**Wurster et al.**

(10) **Patent No.:** **US D612,256 S**  
(45) **Date of Patent:** **\*\* Mar. 23, 2010**

(54) **CONTAINER**

(75) Inventors: **Michael P. Wurster**, York, PA (US);  
**Justin A. Howell**, New Cumberland, PA  
(US); **Michael T. Kelly**, Manchester, PA  
(US); **Robert Waltemyer**, Felton, PA  
(US); **Benton A. Lewis**, Manchester, PA  
(US)

(73) Assignee: **Graham Packaging Company, L.P.**,  
York, PA (US)

(\*\*) Term: **14 Years**

(21) Appl. No.: **29/329,593**

(22) Filed: **Dec. 18, 2008**

(51) **LOC (9) Cl.** ..... **09-01**

(52) **U.S. Cl.** ..... **D9/560; D9/570; D9/574**

(58) **Field of Classification Search** ..... D9/516,  
D9/538, 540–543, 557, 559–560, 570, 574,  
D9/763, 773; 215/381–384; 220/669

See application file for complete search history.

(56) **References Cited**

U.S. PATENT DOCUMENTS

D240,968 S *	8/1976	Hurst	.....	D9/570 X
4,108,324 A	8/1978	Krishnakumar et al.		
D267,076 S *	11/1982	Hurtig	.....	D9/560 X
D332,751 S *	1/1993	Pischulti et al.	.....	D9/560
5,477,974 A *	12/1995	Reil et al.	.....	215/382
5,908,128 A	6/1999	Krishnakumar et al.		
5,989,661 A	11/1999	Krishnakumar et al.		
D423,366 S *	4/2000	Gans	.....	D9/541
D423,935 S *	5/2000	Frazer	.....	D9/570 X
D426,469 S *	6/2000	Mankowski et al.	.....	D9/560 X
D435,455 S *	12/2000	Gans	.....	D9/541
D443,521 S *	6/2001	Bansal et al.	.....	D9/559 X
D444,391 S *	7/2001	Bansal et al.	.....	D9/543
D445,339 S *	7/2001	Bazlur	.....	D9/538

D448,675 S *	10/2001	Thierjung	.....	D9/574 X
D455,656 S *	4/2002	Gans et al.	.....	D9/560 X
6,413,466 B1	7/2002	Boyd et al.		
6,439,413 B1	8/2002	Prevot et al.		
6,460,714 B1 *	10/2002	Silvers et al.	.....	215/381
D465,418 S *	11/2002	Thierjung	.....	D9/560
D482,625 S *	11/2003	Crawford et al.	.....	D9/570 X
6,763,968 B1	7/2004	Boyd et al.		
D496,855 S *	10/2004	Trude	.....	D9/560 X
6,920,992 B2	7/2005	Lane et al.		
7,073,675 B2 *	7/2006	Trude	.....	215/381
7,080,747 B2	7/2006	Lane et al.		
D529,389 S *	10/2006	Trude	.....	D9/538
D531,909 S *	11/2006	Keller et al.	.....	D9/538
2003/0196926 A1	10/2003	Tobias et al.		
2004/0211746 A1	10/2004	Trude		
2008/0000867 A1	1/2008	Lane et al.		

\* cited by examiner

*Primary Examiner*—Carol Rademaker

(74) *Attorney, Agent, or Firm*—Knoble Yoshida & Dunleavy,  
LLC

(57) **CLAIM**

The ornamental design for a “container,” as shown and described.

**DESCRIPTION**

FIG. 1 is a perspective view showing our new design;

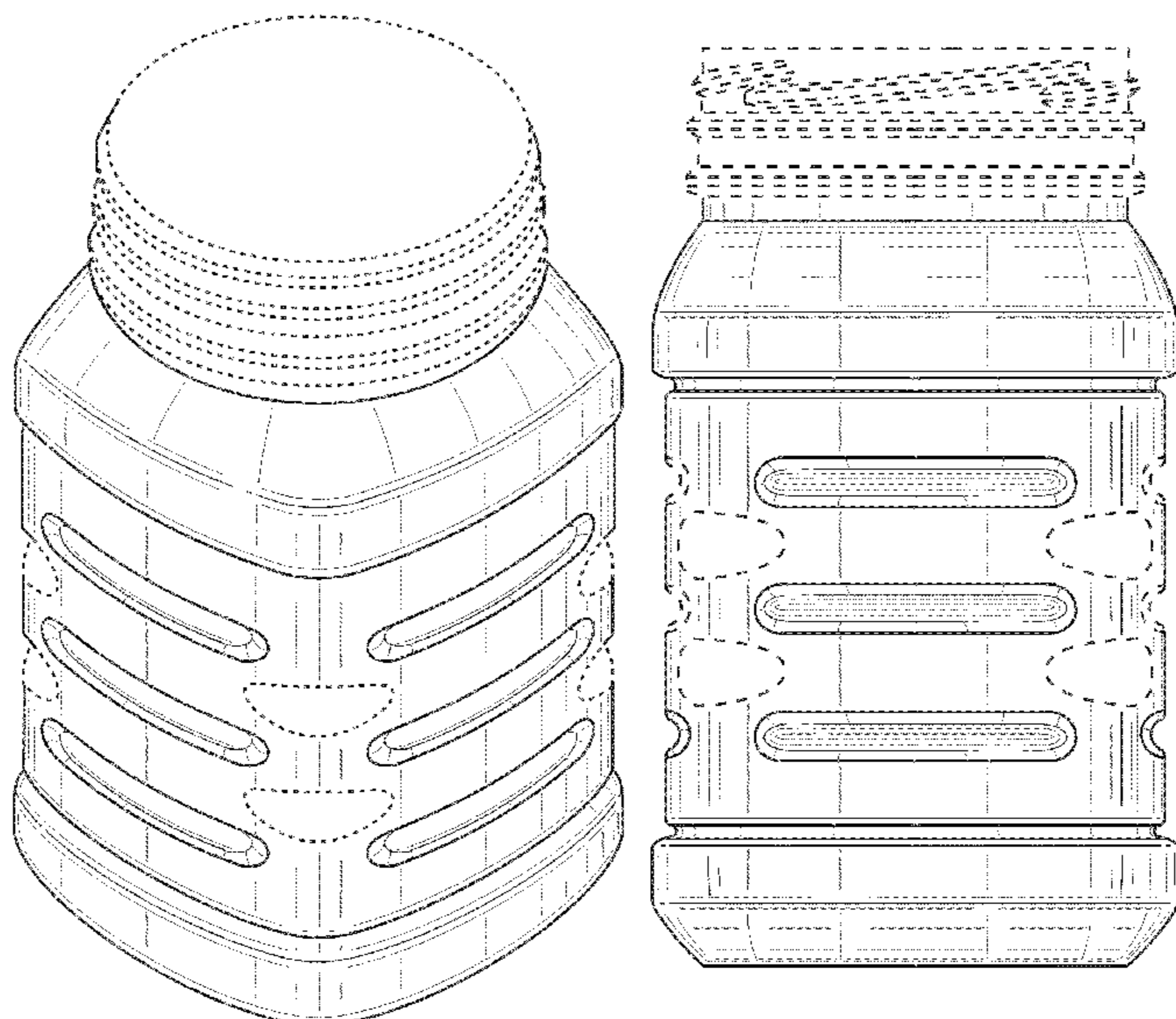
FIG. 2 is a front elevational view of the design of FIG. 1 shown with an alternate unclaimed pour spout with threads, the rear elevational view, left side elevational view, and right side elevational view being identical;

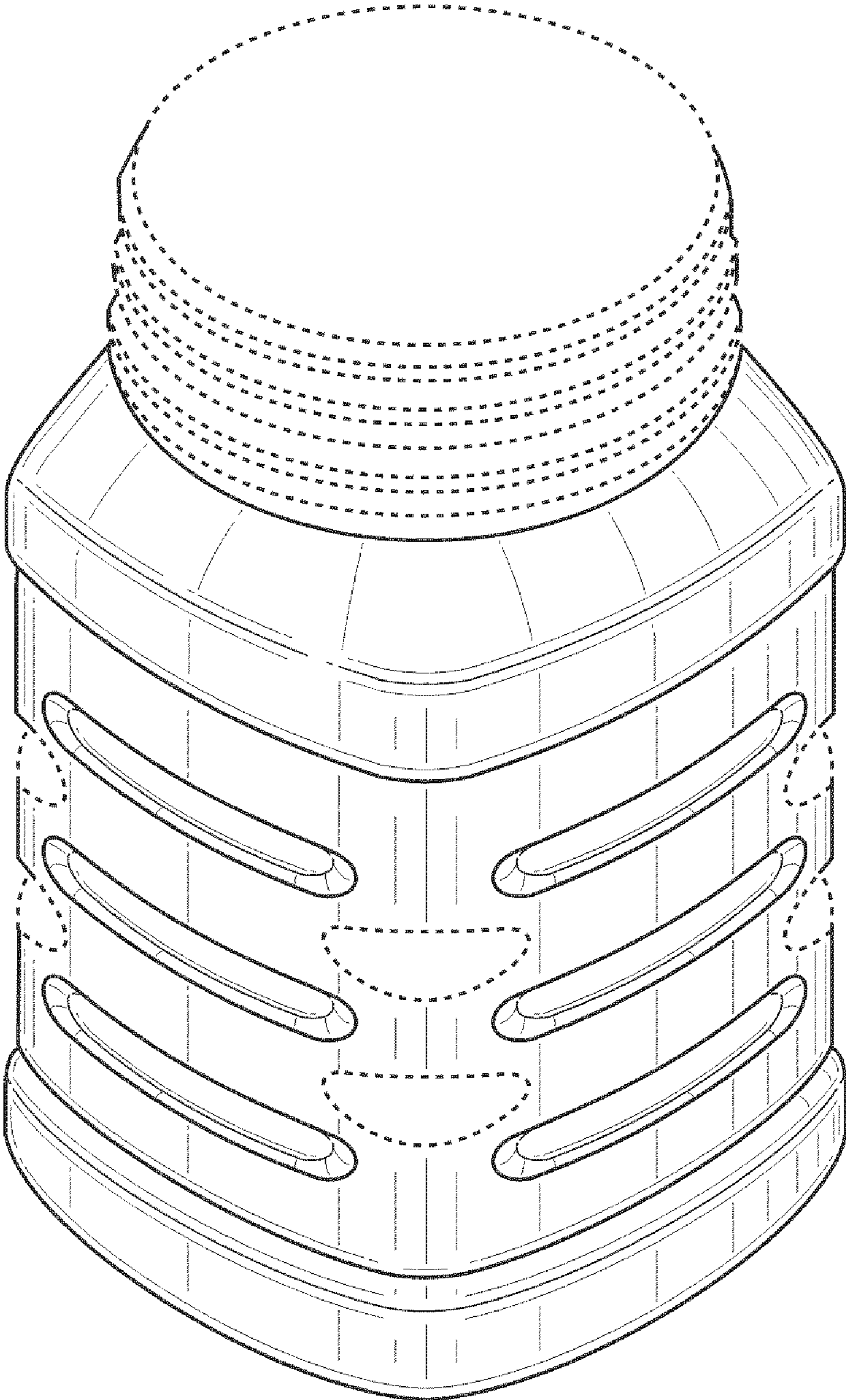
FIG. 3 is a top plan view of FIG. 1; and,

FIG. 4 is a bottom plan view thereof.

The broken lines shown in the drawing views are included for the purpose of showing environmental structure that forms no part of the claimed design.

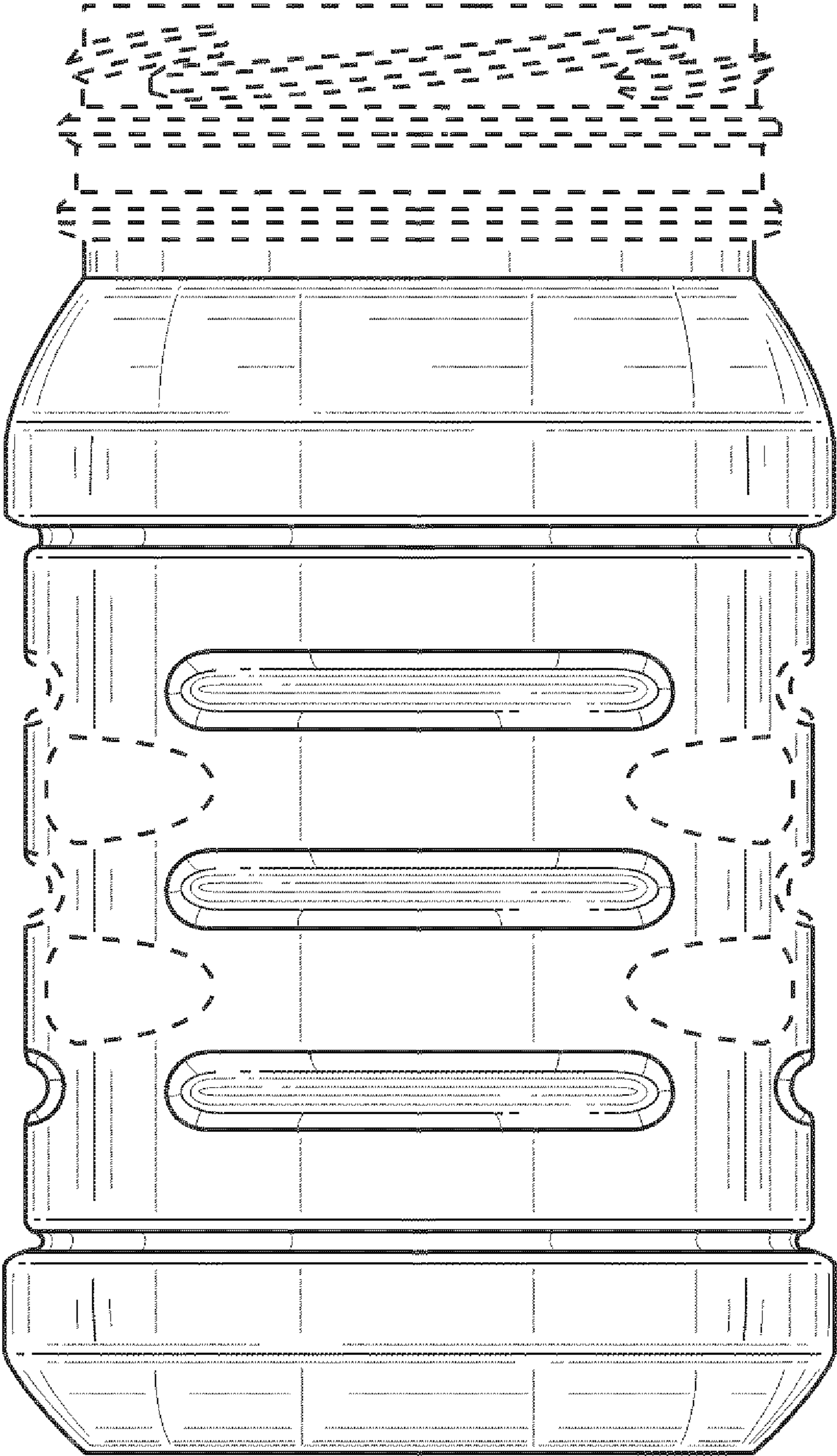
**1 Claim, 3 Drawing Sheets**



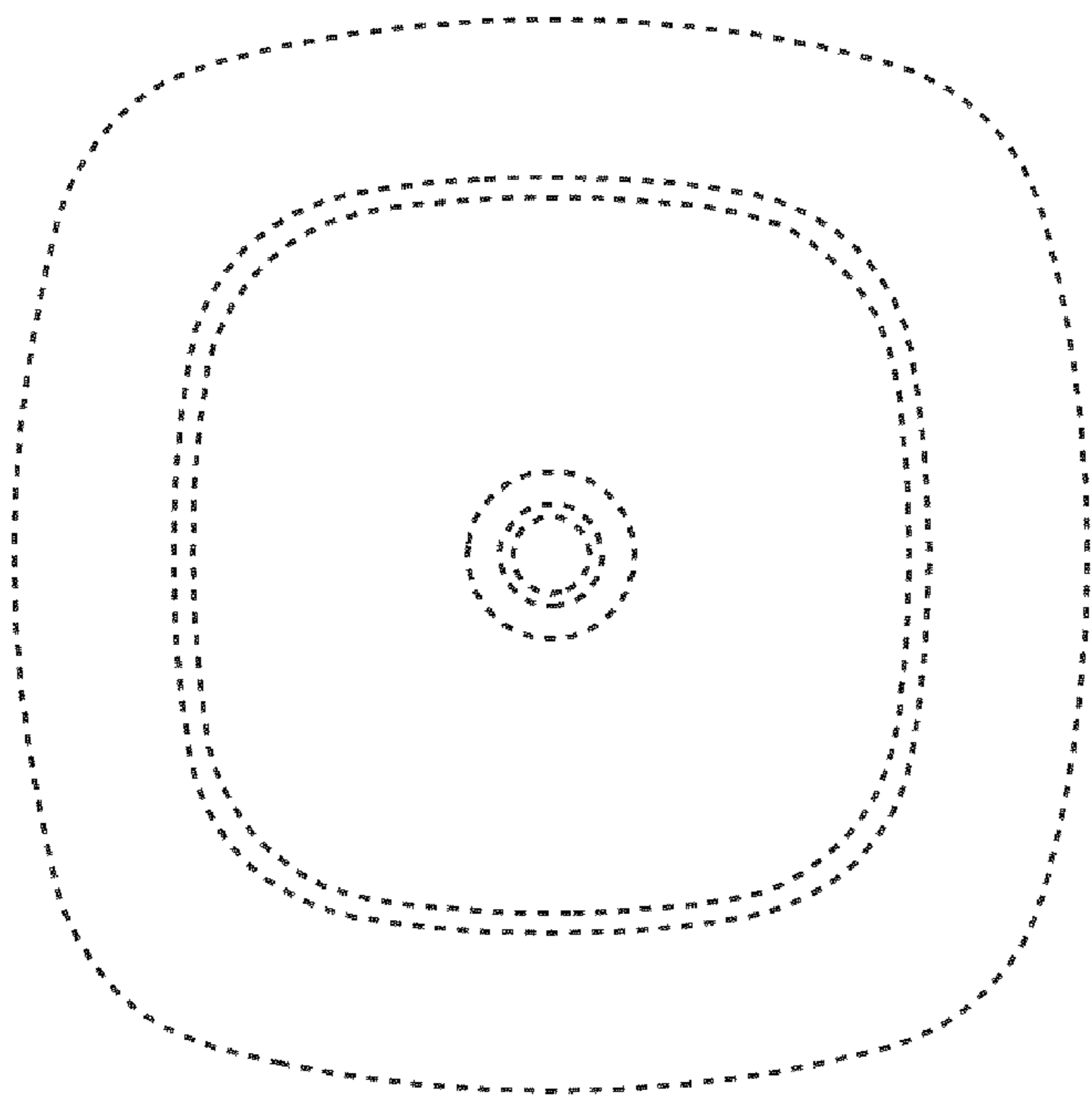


**FIG. 1**

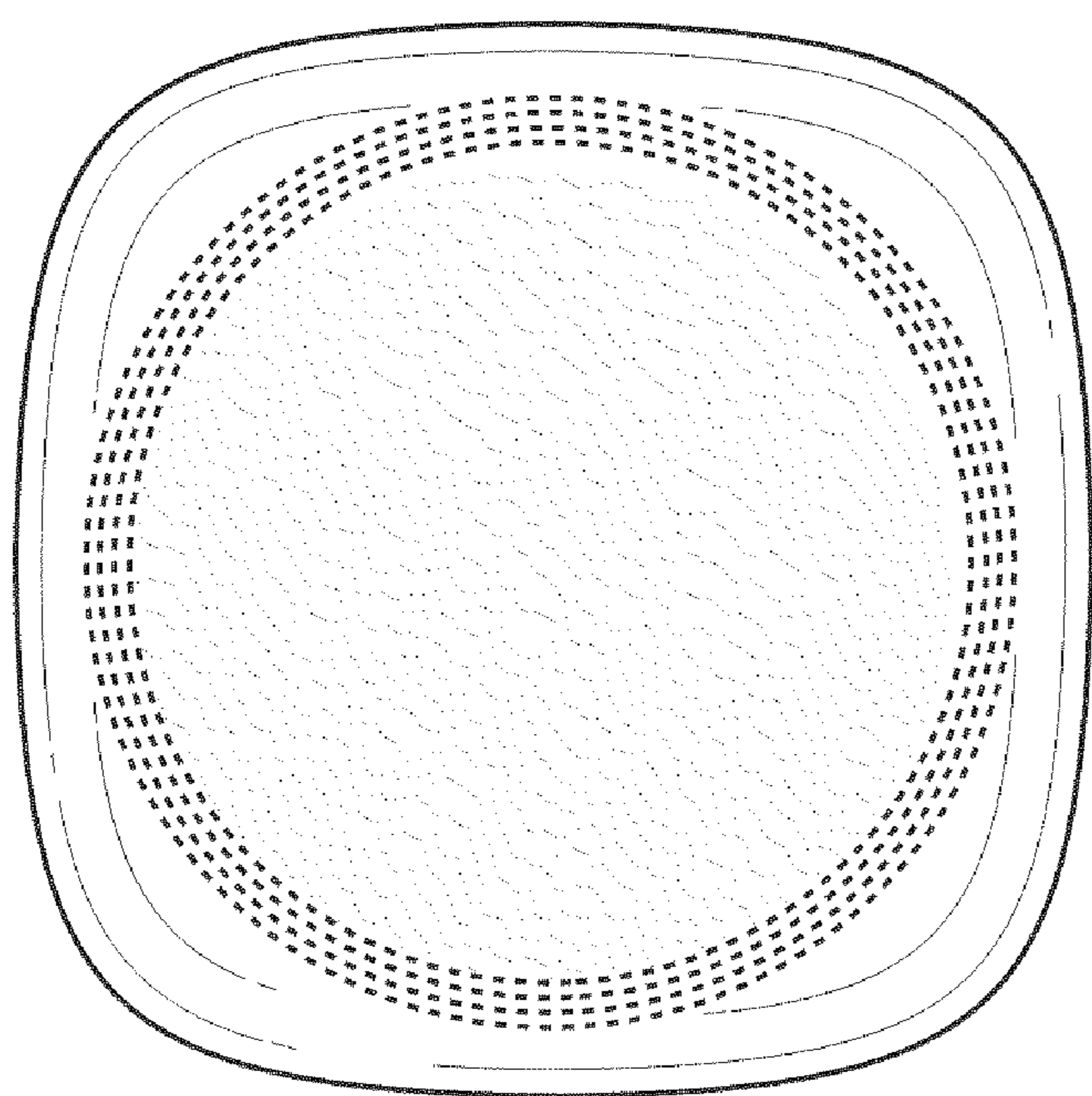




**FIG. 2**



**FIG. 4**



**FIG. 3**