



US00D612255S

(12) **United States Design Patent**
Shah

(10) **Patent No.:** **US D612,255 S**
(45) **Date of Patent:** **** Mar. 23, 2010**

(54) **CONTAINER**

(75) Inventor: **Sunil S. Shah**, York, PA (US)

(73) Assignee: **Graham Packaging Company, L.P.**,
York, PA (US)

(**) Term: **14 Years**

(21) Appl. No.: **29/331,089**

(22) Filed: **Jan. 20, 2009**

(51) **LOC (9) Cl.** **09-01**

(52) **U.S. Cl.** **D9/557**

(58) **Field of Classification Search** D9/502,
D9/516, 538, 541, 549, 556-557, 560, 569-570,
D9/763, 773; 215/381-384; 220/669
See application file for complete search history.

(56) **References Cited**

U.S. PATENT DOCUMENTS

D95,035	S *	4/1935	Gayner	D9/570
2,063,013	A *	12/1936	Cooper	220/669
2,139,143	A *	12/1938	Wiswell	220/667 X
D210,352	S *	3/1968	Fuerst	D9/500
D322,562	S *	12/1991	Narsutis	D9/538
5,477,974	A *	12/1995	Reil et al.	215/382
5,762,230	A *	6/1998	Policappelli	220/669 X
5,868,272	A *	2/1999	Deal	220/669
6,036,037	A *	3/2000	Scheffer et al.	215/383 X
D423,366	S *	4/2000	Gans	D9/541
D426,469	S *	6/2000	Mankowski et al.	D9/541
D427,077	S *	6/2000	Heliste et al.	D9/570 X
6,228,317	B1	5/2001	Smith et al.		

D445,339	S *	7/2001	Bazlur	D9/538
6,460,714	B1 *	10/2002	Silvers et al.	215/381
D465,418	S *	11/2002	Thierjung	D9/560
6,497,333	B1 *	12/2002	Ellis et al.	215/383
D496,855	S *	10/2004	Trude	D9/560 X
7,032,770	B2 *	4/2006	Finlay et al.	220/669
D525,530	S *	7/2006	Livingston et al.	D9/538
7,073,675	B2 *	7/2006	Trude	215/384 X
D538,660	S *	3/2007	Gatewood	D9/516

* cited by examiner

Primary Examiner—Carol Rademaker

(74) *Attorney, Agent, or Firm*—Knoble Yoshida & Dunleavy, LLC

(57) **CLAIM**

The ornamental design for a “container,” as shown and described.

DESCRIPTION

FIG. 1 is a perspective view showing my new design;

FIG. 2 is a front elevational view thereof, the rear elevational view being identical;

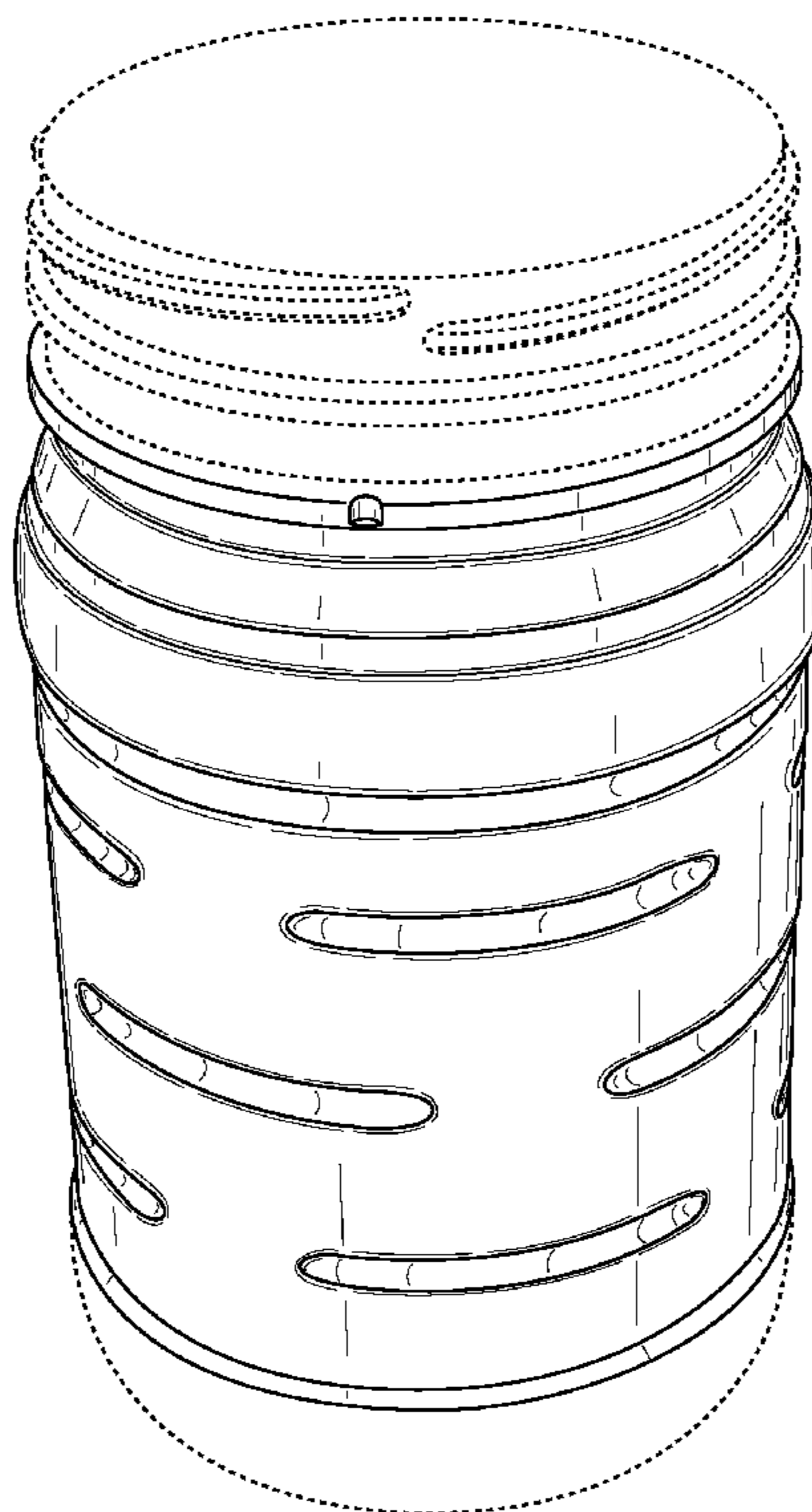
FIG. 3 is a left side elevational view thereof, the right side elevational view being identical;

FIG. 4 is a top plan view thereof; and,

FIG. 5 is a bottom plan view thereof.

The broken lines shown in the drawing views are included for the purpose of showing environmental structure that forms no part of the claimed design.

1 Claim, 4 Drawing Sheets



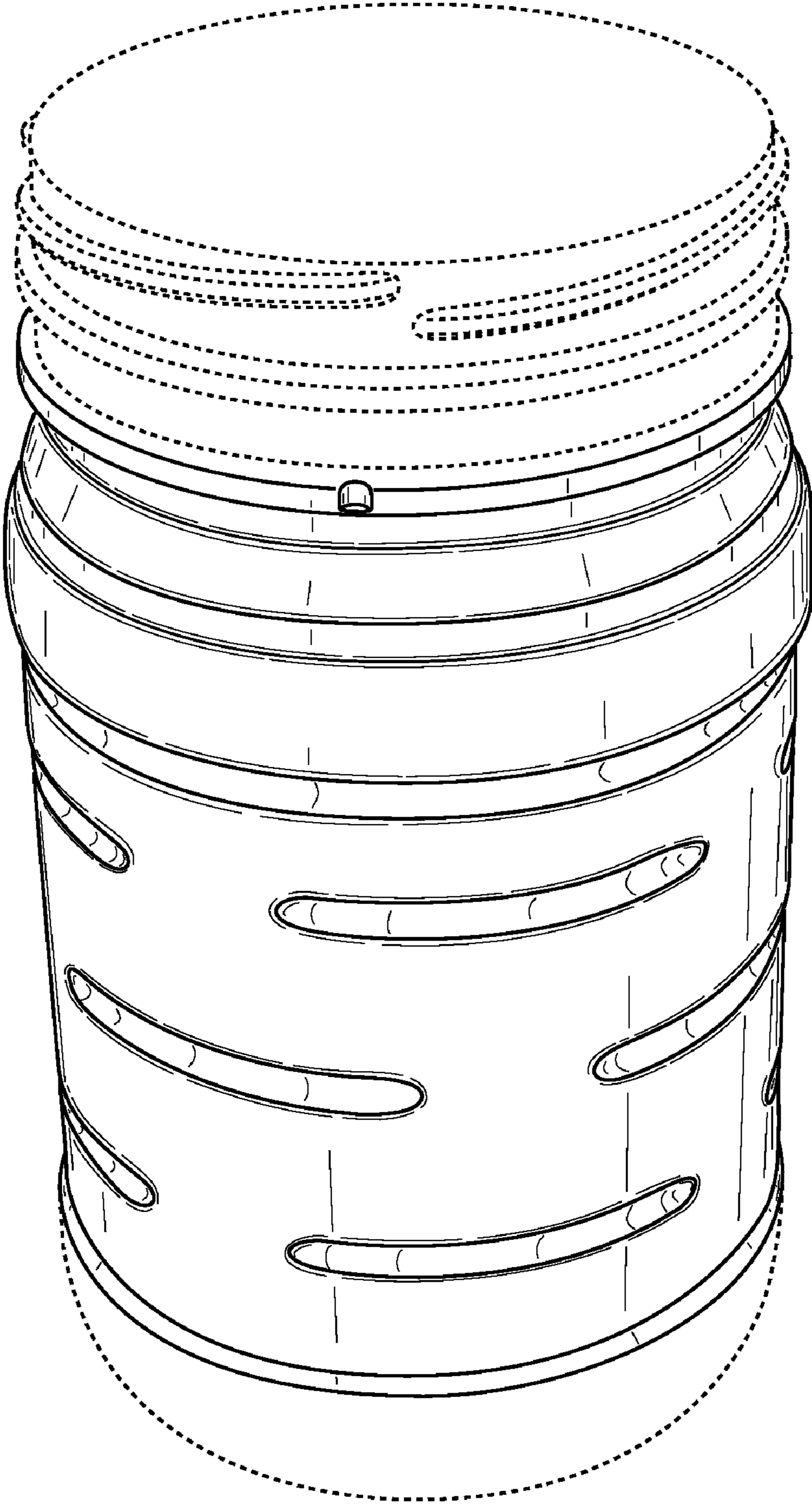


FIG. 1

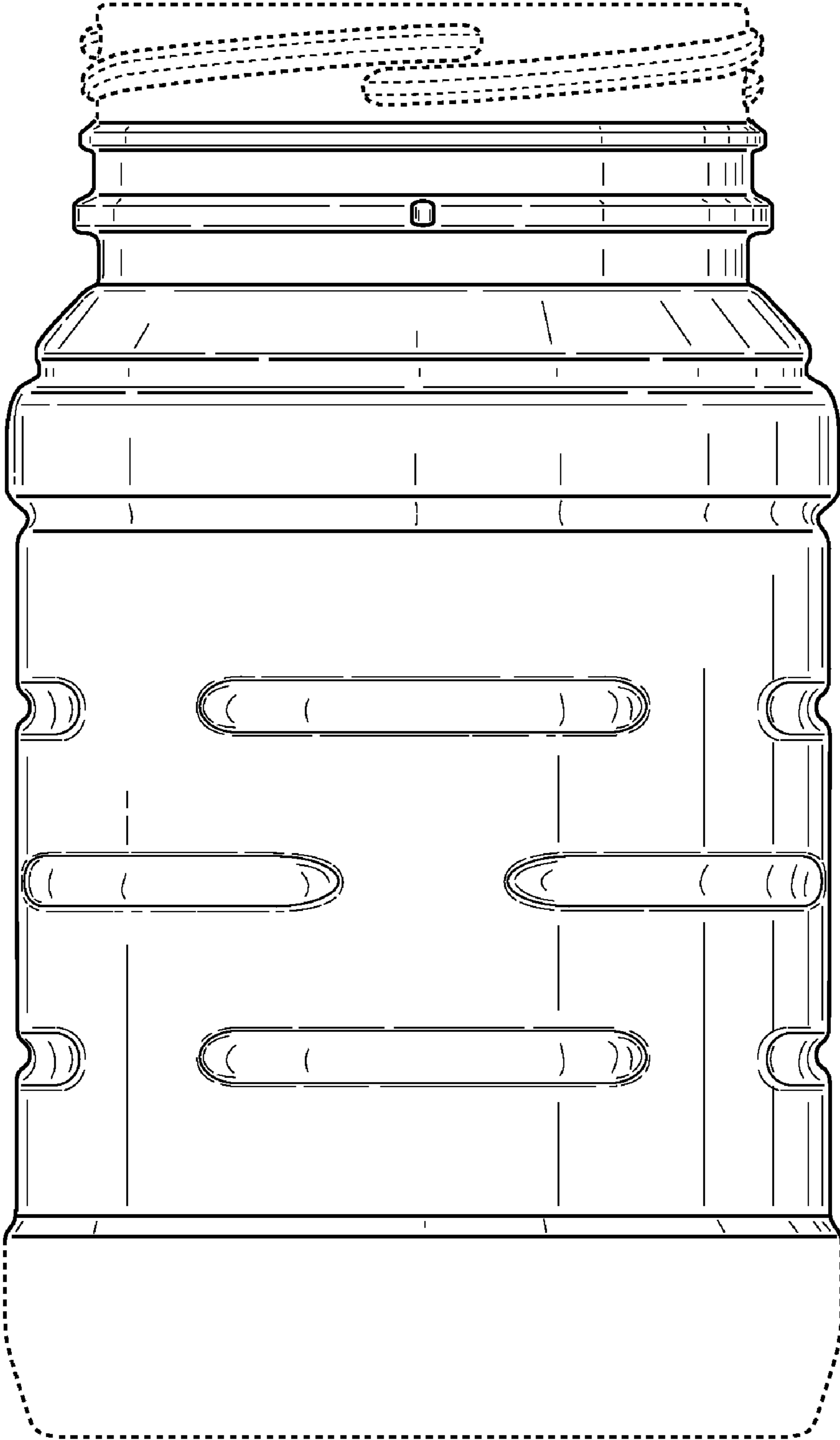


FIG. 2

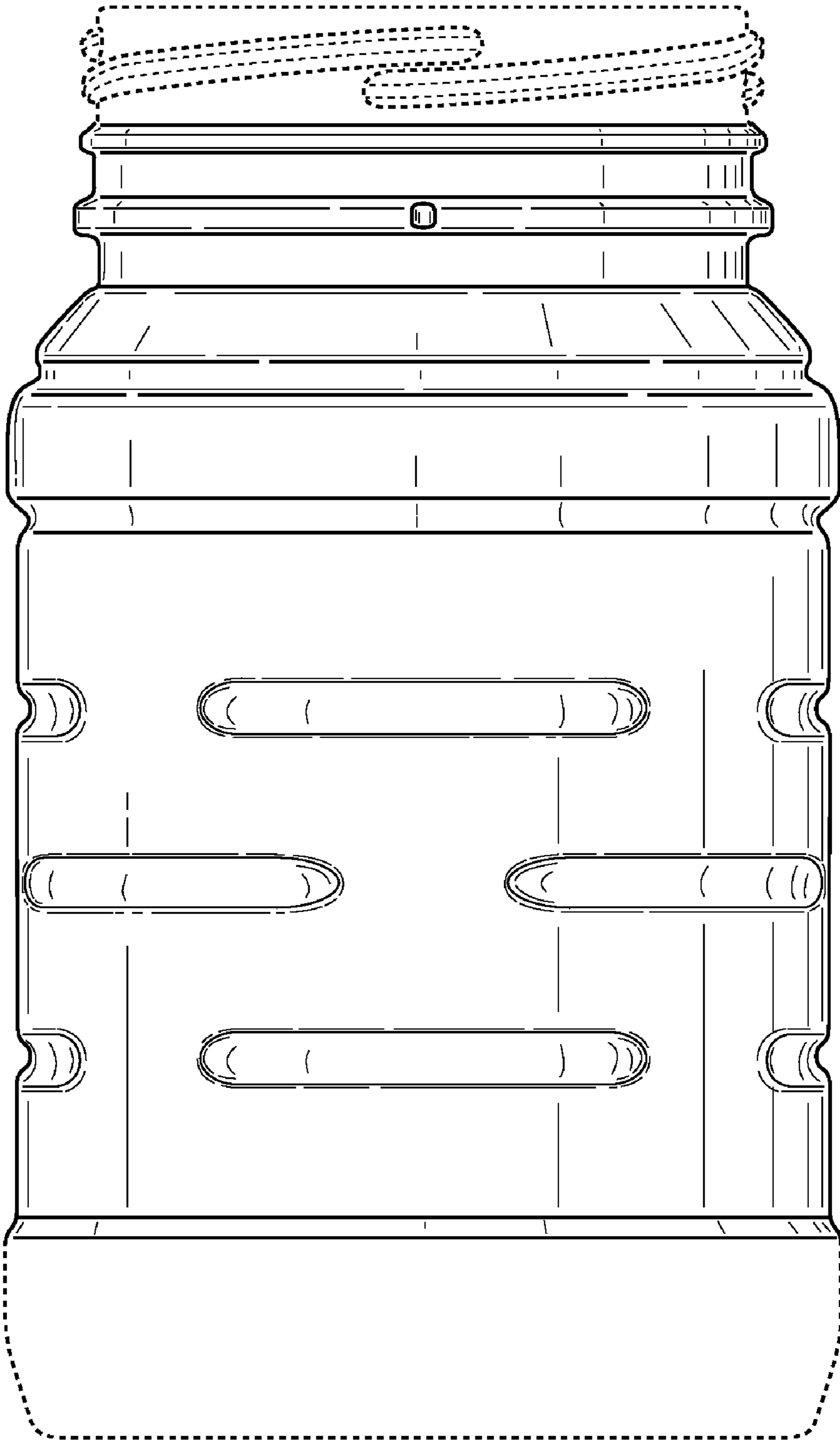


FIG. 3

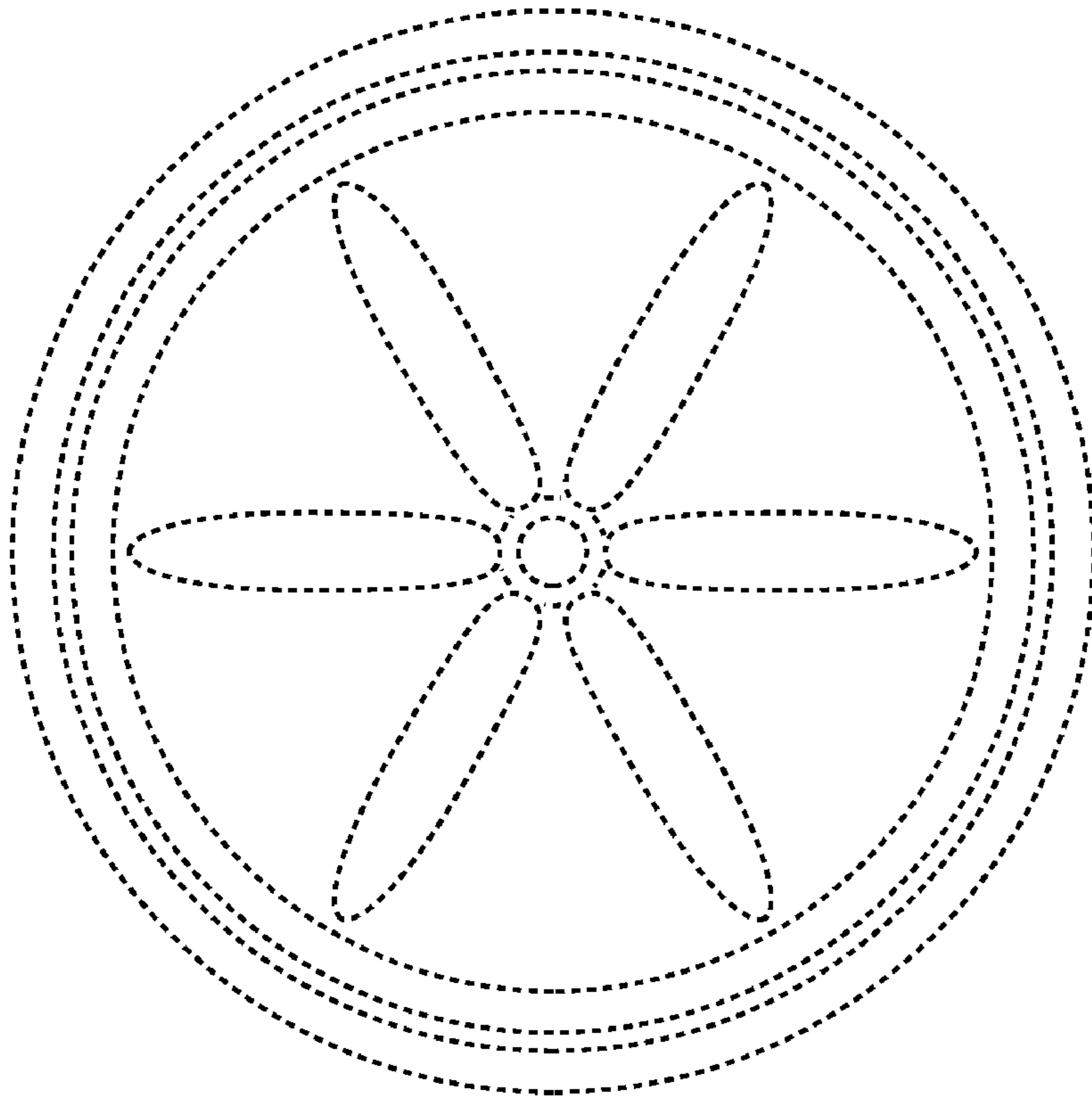


FIG. 5

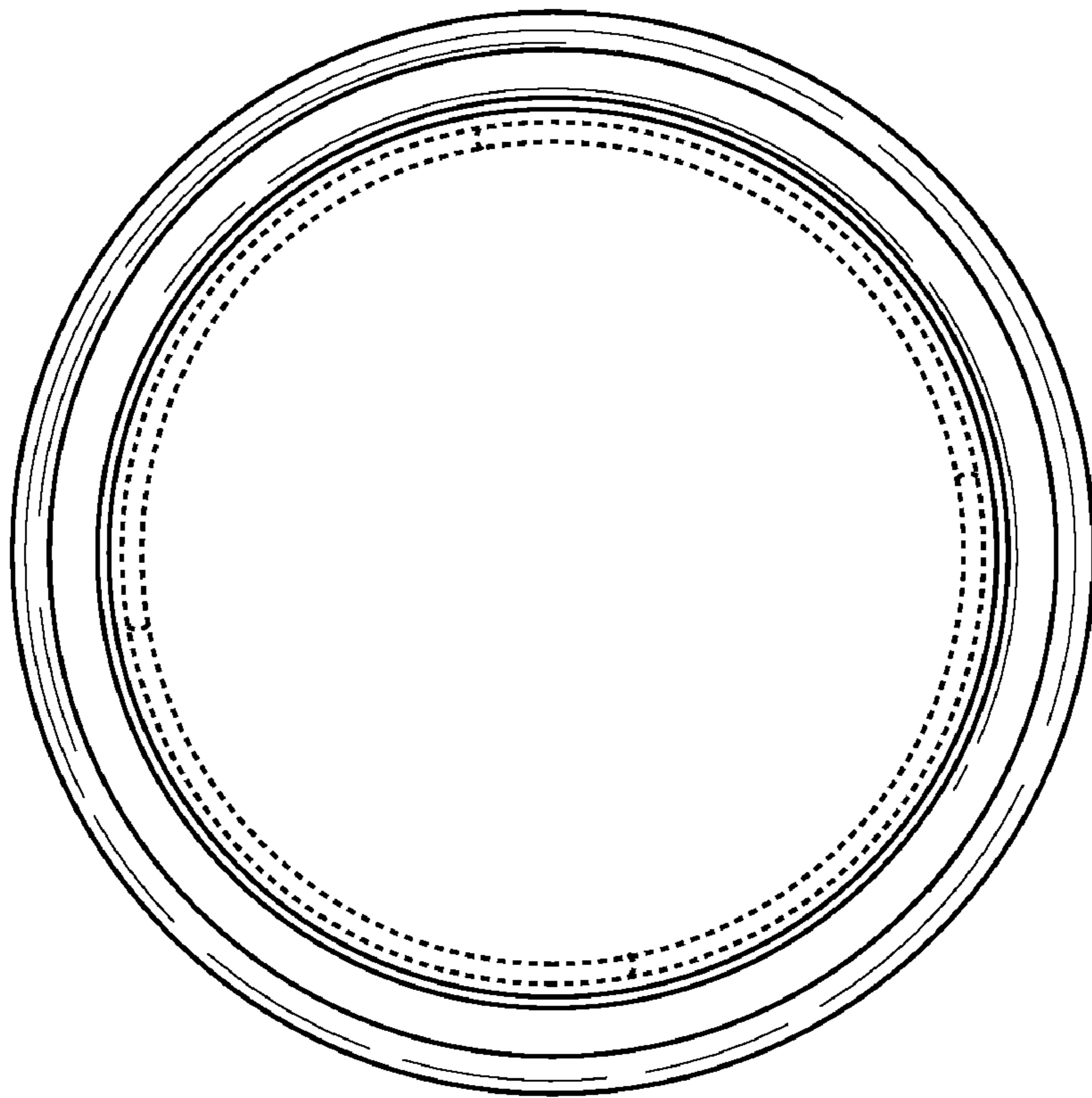


FIG. 4