



US00D612251S

(12) **United States Design Patent**  
**Lepoitevin**

(10) **Patent No.:** **US D612,251 S**

(45) **Date of Patent:** **\*\* Mar. 23, 2010**

(54) **BOTTLE**

(75) Inventor: **Laurent Lepoitevin**, Le Havre (FR)

(73) Assignee: **Sidel Participations**, Octeville sur Mer (FR)

(\*\*) Term: **14 Years**

(21) Appl. No.: **29/326,294**

(22) Filed: **Oct. 15, 2008**

(30) **Foreign Application Priority Data**

Apr. 16, 2008 (EM) ..... 000918230-0001

(51) **LOC (9) Cl.** ..... **09-01**

(52) **U.S. Cl.** ..... **D9/539; D9/553; D9/574**

(58) **Field of Classification Search** ..... D9/516,  
D9/520, 530, 537-539, 542, 552, 553, 556,  
D9/558, 562, 565, 566, 569, 571, 574; 215/382-384;  
220/662, 669, 675

See application file for complete search history.

(56) **References Cited**

**U.S. PATENT DOCUMENTS**

D93,412 S \* 9/1934 Kessler ..... D9/560  
D314,333 S \* 2/1991 Hollingsworth ..... D9/574  
D331,367 S \* 12/1992 Armstrong ..... D9/553  
D531,046 S \* 10/2006 Moretti ..... D9/574  
D550,094 S \* 9/2007 Henderson ..... D9/574

D555,488 S \* 11/2007 Marton ..... D9/544  
D556,050 S \* 11/2007 Gottlieb ..... D9/566  
D584,158 S \* 1/2009 Fraser et al. .... D9/557  
D587,588 S \* 3/2009 Fraser et al. .... D9/557  
D594,343 S \* 6/2009 Leruste ..... D9/560

\* cited by examiner

*Primary Examiner*—Stella M Reid

*Assistant Examiner*—Keli L Hill

(74) *Attorney, Agent, or Firm*—McKenna Long & Aldridge LLP

(57) **CLAIM**

The ornamental design for a bottle, as shown and described.

**DESCRIPTION**

FIG. 1 is a top front perspective view of a bottle showing my new design;

FIG. 2 is a bottom front perspective view thereof;

FIG. 3 is a left side elevational view thereof;

FIG. 4 is a front elevational view thereof, the rear elevational view being identical thereto;

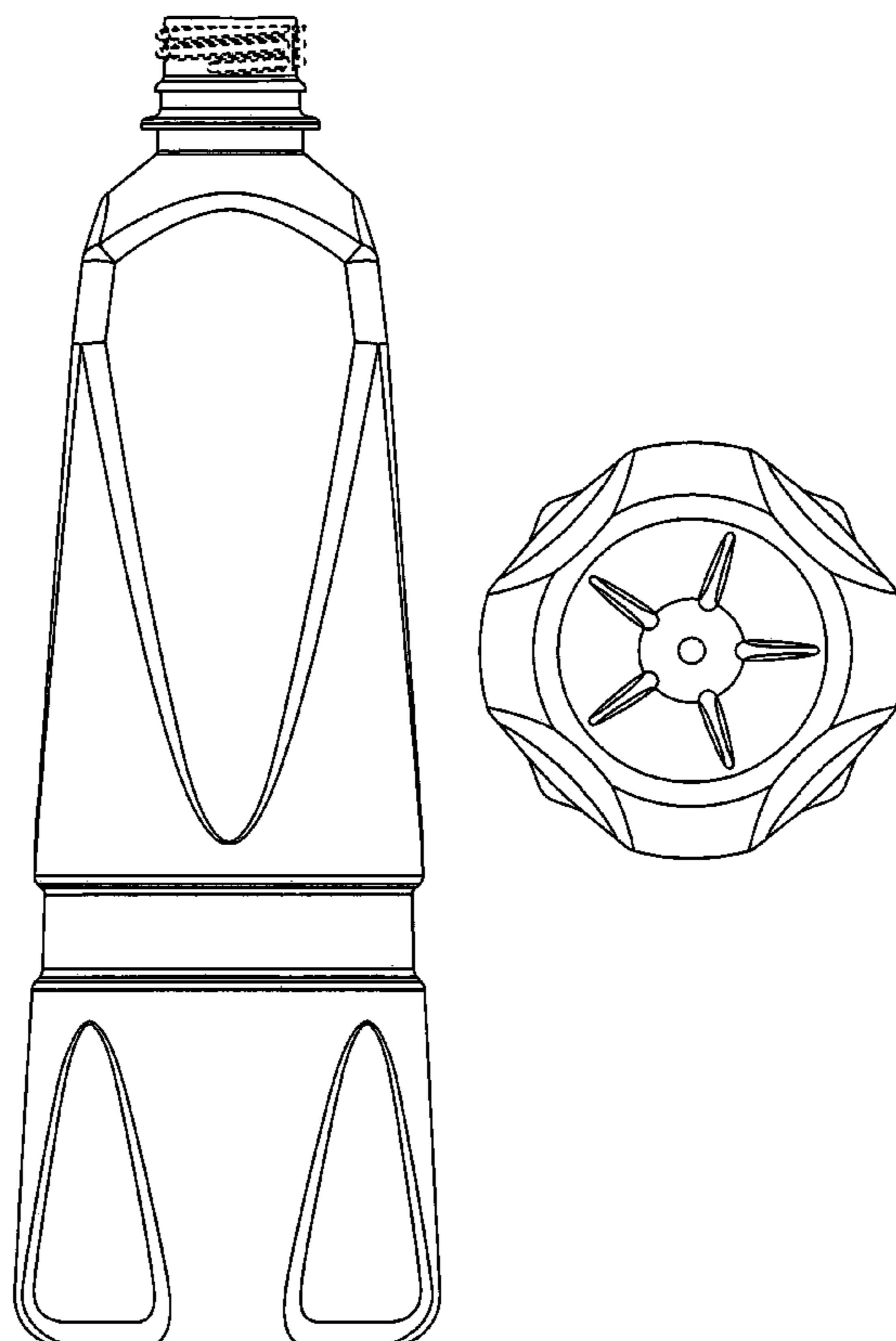
FIG. 5 is a right side elevational view thereof;

FIG. 6 is a top plan view thereof; and,

FIG. 7 is a bottom plan view thereof.

The broken lines represent the portions of the design that form no part of the claim.

**1 Claim, 6 Drawing Sheets**



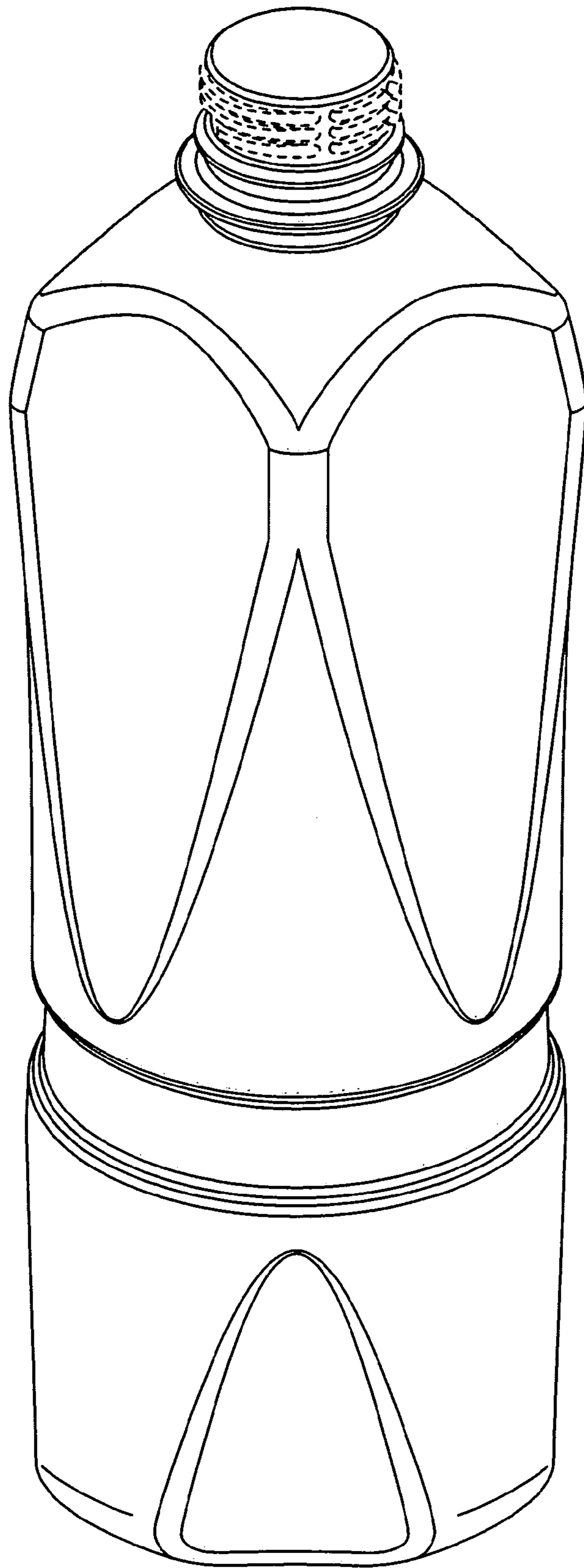


FIG. 1

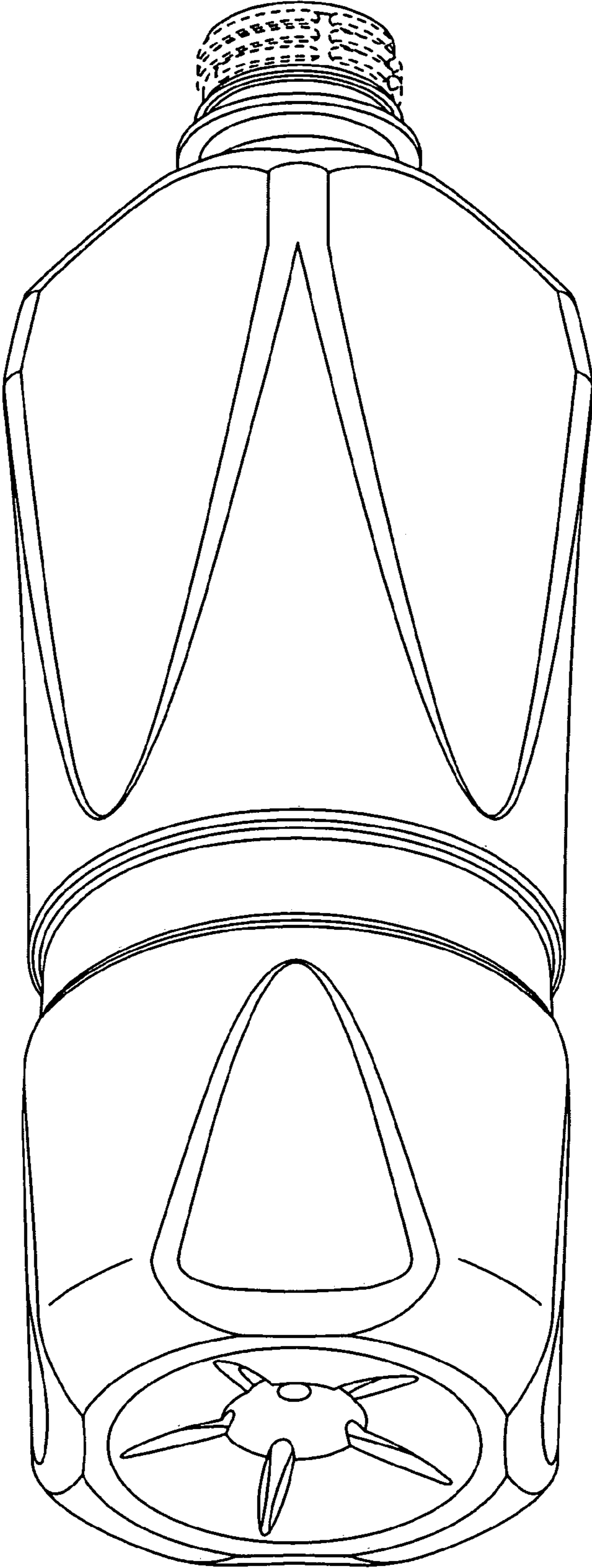


FIG. 2

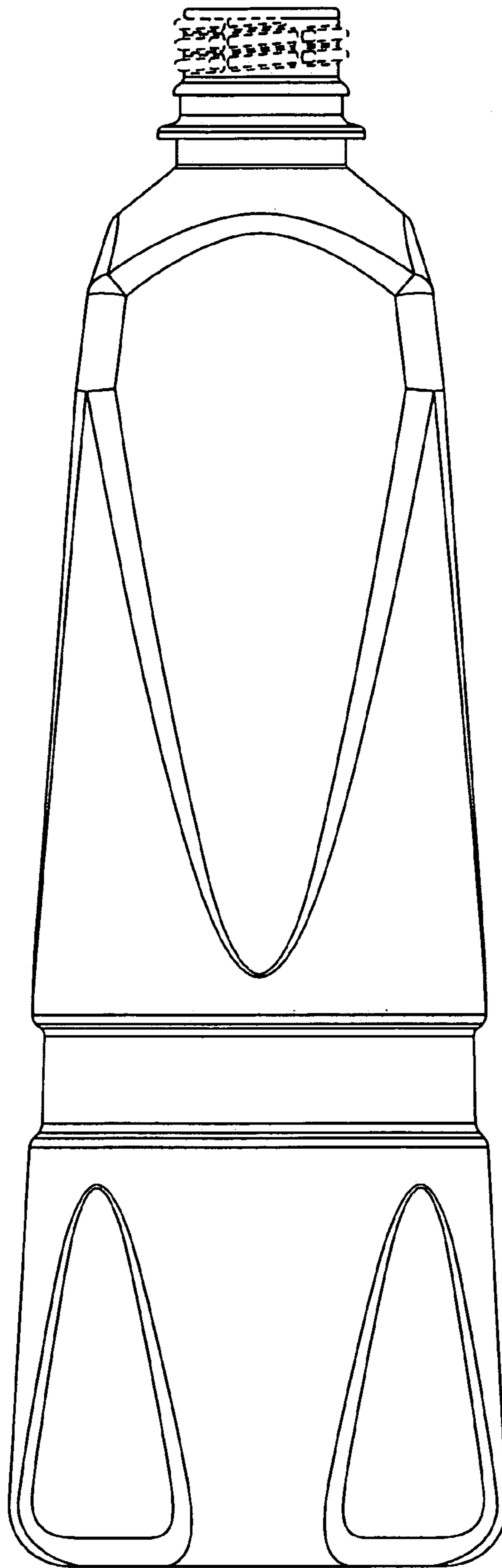


FIG. 3

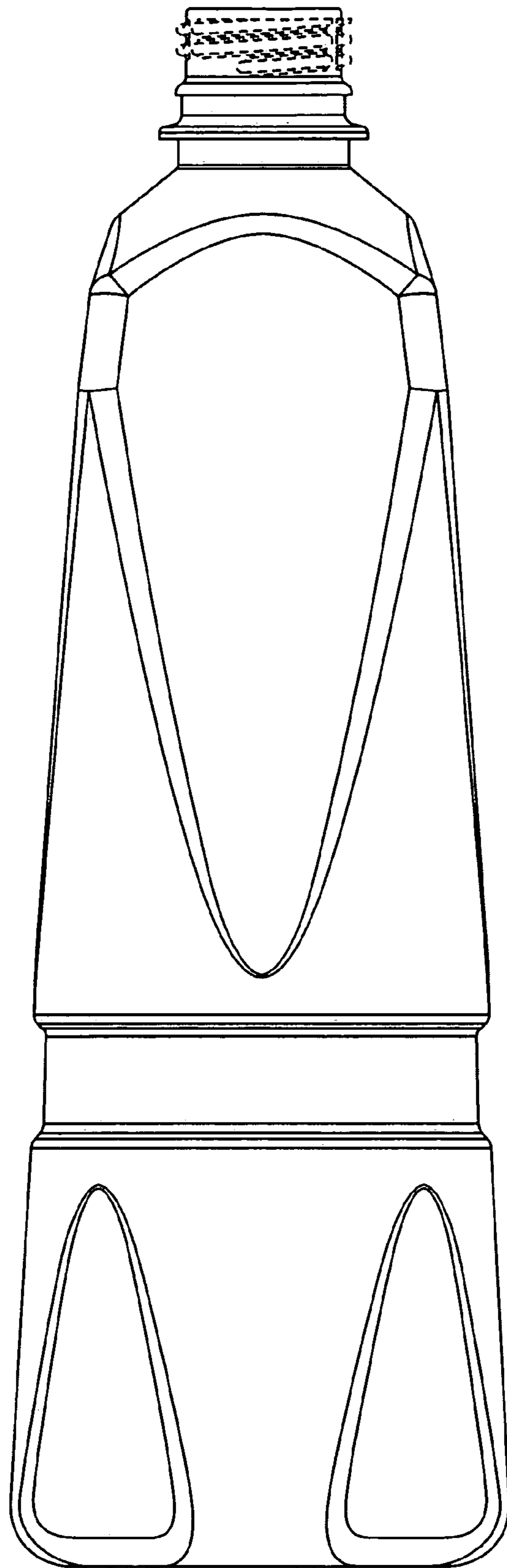


FIG. 4

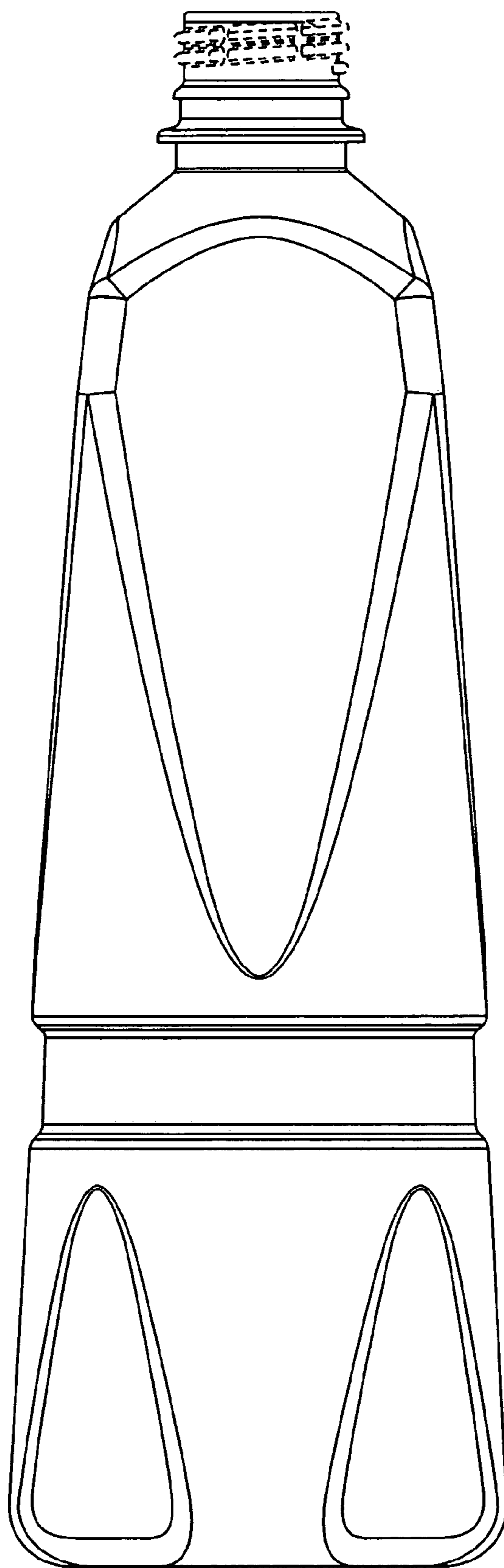


FIG. 5



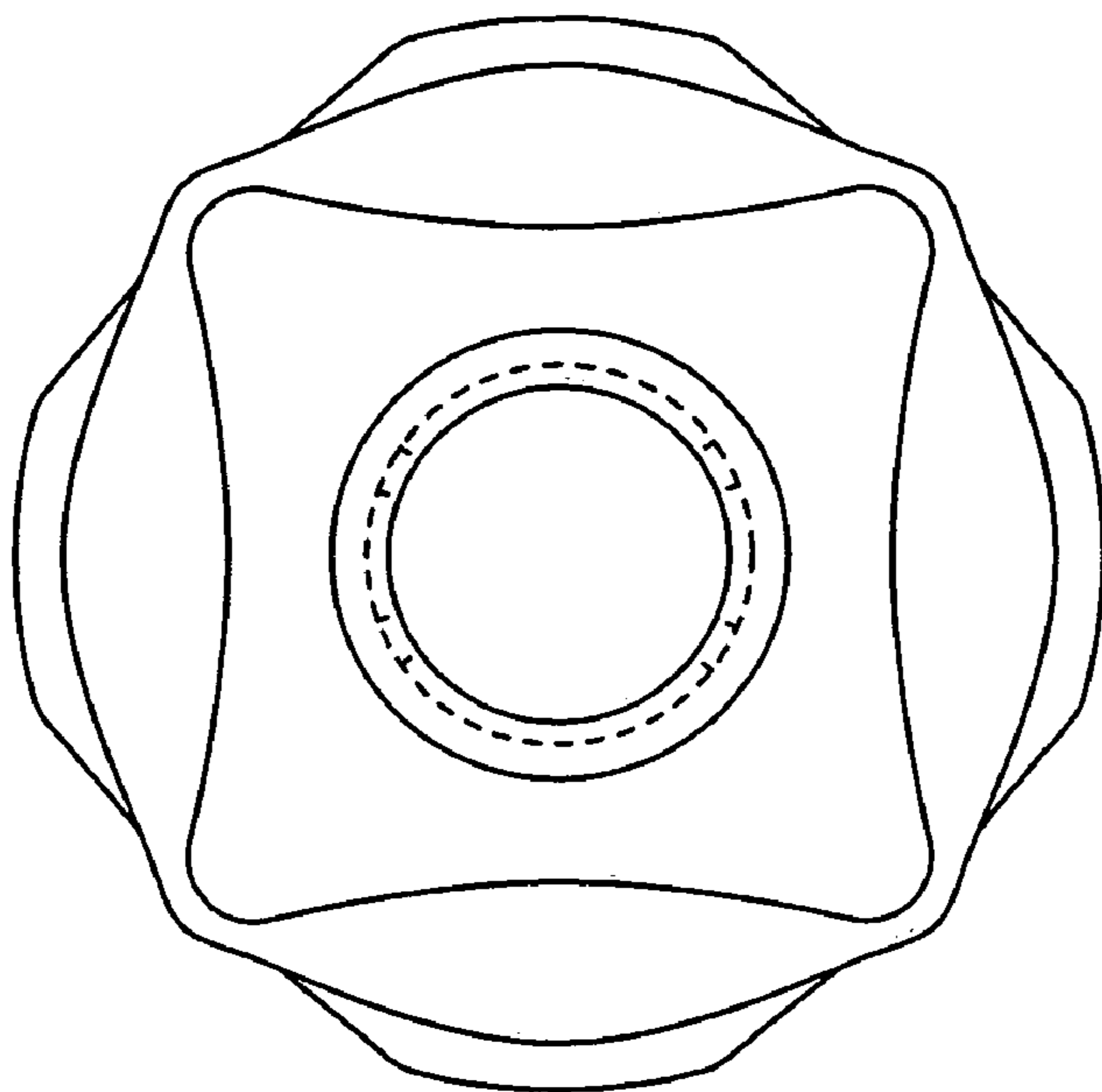


FIG. 6

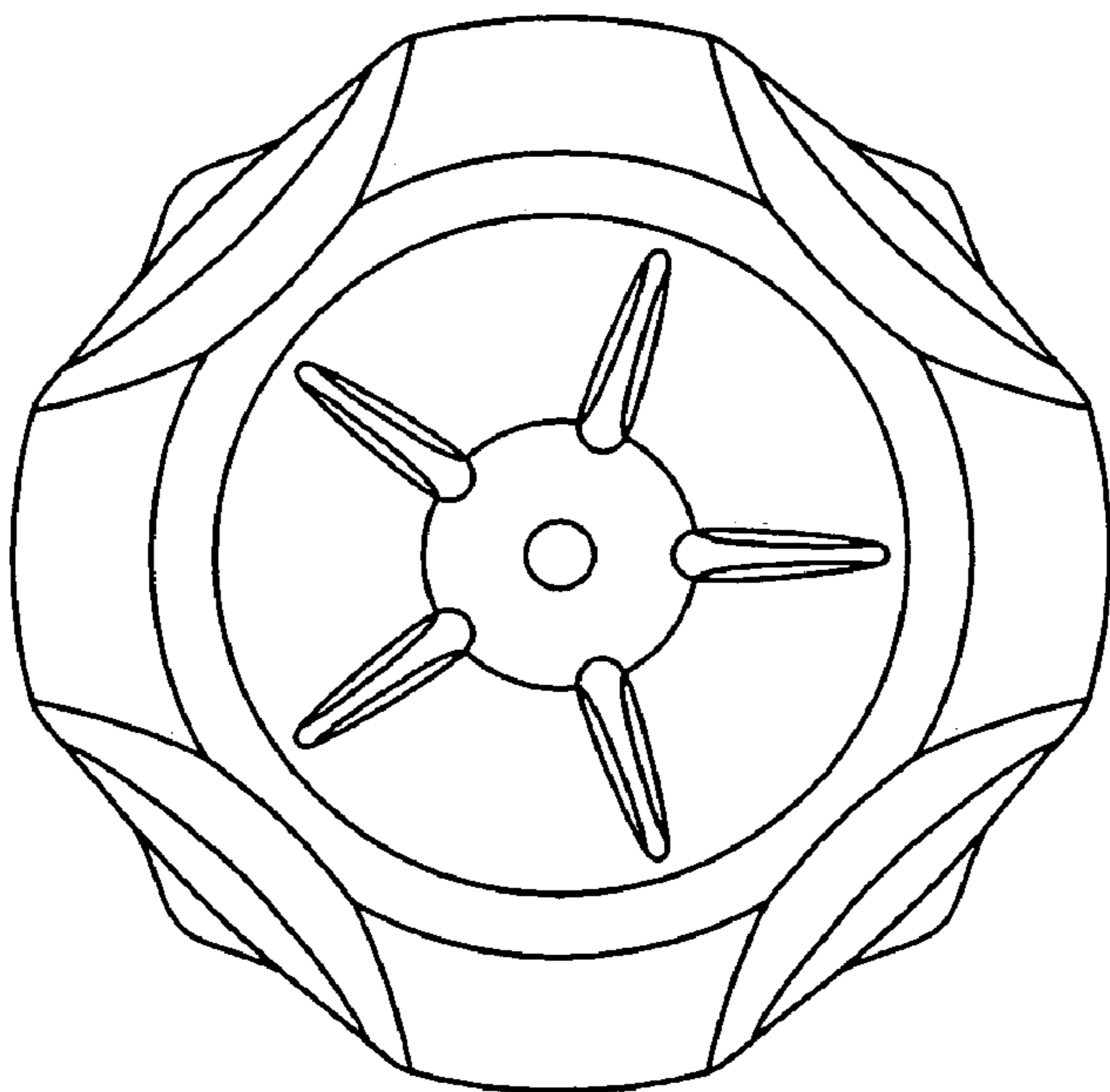


FIG. 7