



US00D612245S

(12) **United States Design Patent**
Canamasas Puigbo

(10) **Patent No.:** **US D612,245 S**
(45) **Date of Patent:** **** Mar. 23, 2010**

(54) **BOTTLE**

(76) **Inventor:** **Aniceto Canamasas Puigbo**, Avenida De La Fama, 129, Cornelia De Llbrgat, Barcelona (ES) 08940

(**) **Term:** **14 Years**

(21) **Appl. No.:** **29/299,105**

(22) **Filed:** **Dec. 19, 2007**

(30) **Foreign Application Priority Data**

Jun. 29, 2007 (EM) 000748918-0001

(51) **LOC (9) Cl.** **09-01**

(52) **U.S. Cl.** **D9/519**

(58) **Field of Classification Search** D9/500, D9/502-505, 516, 519, 521, 529, 545, 551, D9/558, 424, 426, 428, 435, 715; D7/510, D7/523, 538; D28/91.1; 215/381-385, 396, 215/398; 222/548; D24/104

See application file for complete search history.

(56) **References Cited**

U.S. PATENT DOCUMENTS

D43,239 S * 11/1912 Tuttle D9/776
D112,545 S * 12/1938 Younghusband D9/504
2,745,642 A * 5/1956 Hermann 215/382 X
2,784,512 A * 3/1957 Goodwin 428/8
3,494,515 A * 2/1970 Fattori D9/519 X

D324,106 S * 2/1992 Greenblatt D24/200
D333,784 S * 3/1993 Goodman D9/504 X
D354,441 S * 1/1995 Fontanella D9/504
D464,571 S * 10/2002 Hill et al. D9/519
D465,733 S * 11/2002 Hill D9/519
D476,095 S * 6/2003 Baarman et al. D26/2
D478,813 S * 8/2003 Beene D9/519
D480,000 S * 9/2003 Hirato D9/504
D534,076 S * 12/2006 Green et al. D9/435
D547,430 S * 7/2007 Low D23/364
D564,900 S * 3/2008 Green et al. D9/715
D573,026 S * 7/2008 Tsai D9/519
D578,393 S * 10/2008 Canamasas Puigbo D9/500
D592,064 S * 5/2009 Kilany D9/519

* cited by examiner

Primary Examiner—Carol Rademaker

(74) *Attorney, Agent, or Firm*—Sturm & Fix LLP

(57) **CLAIM**

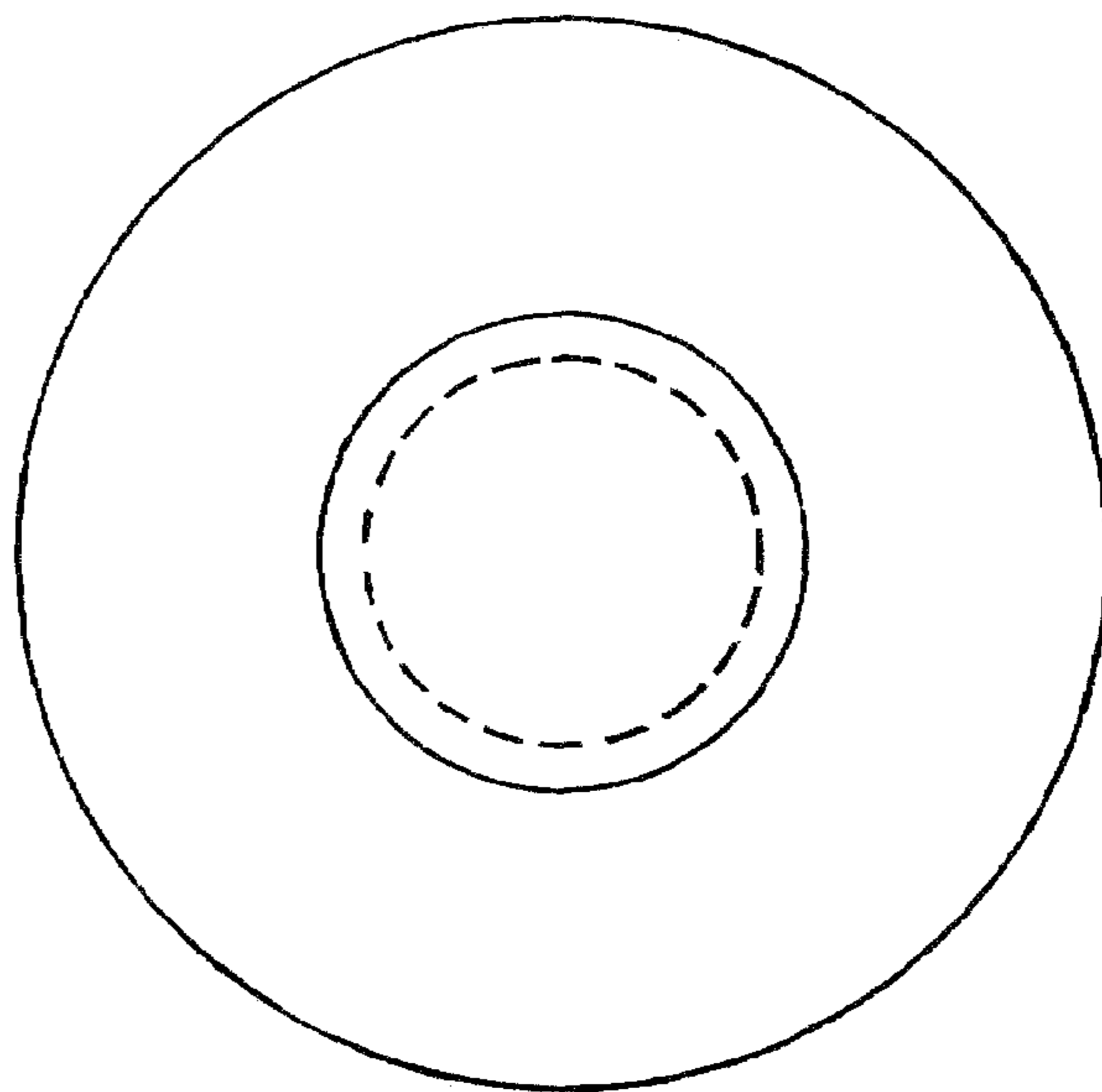
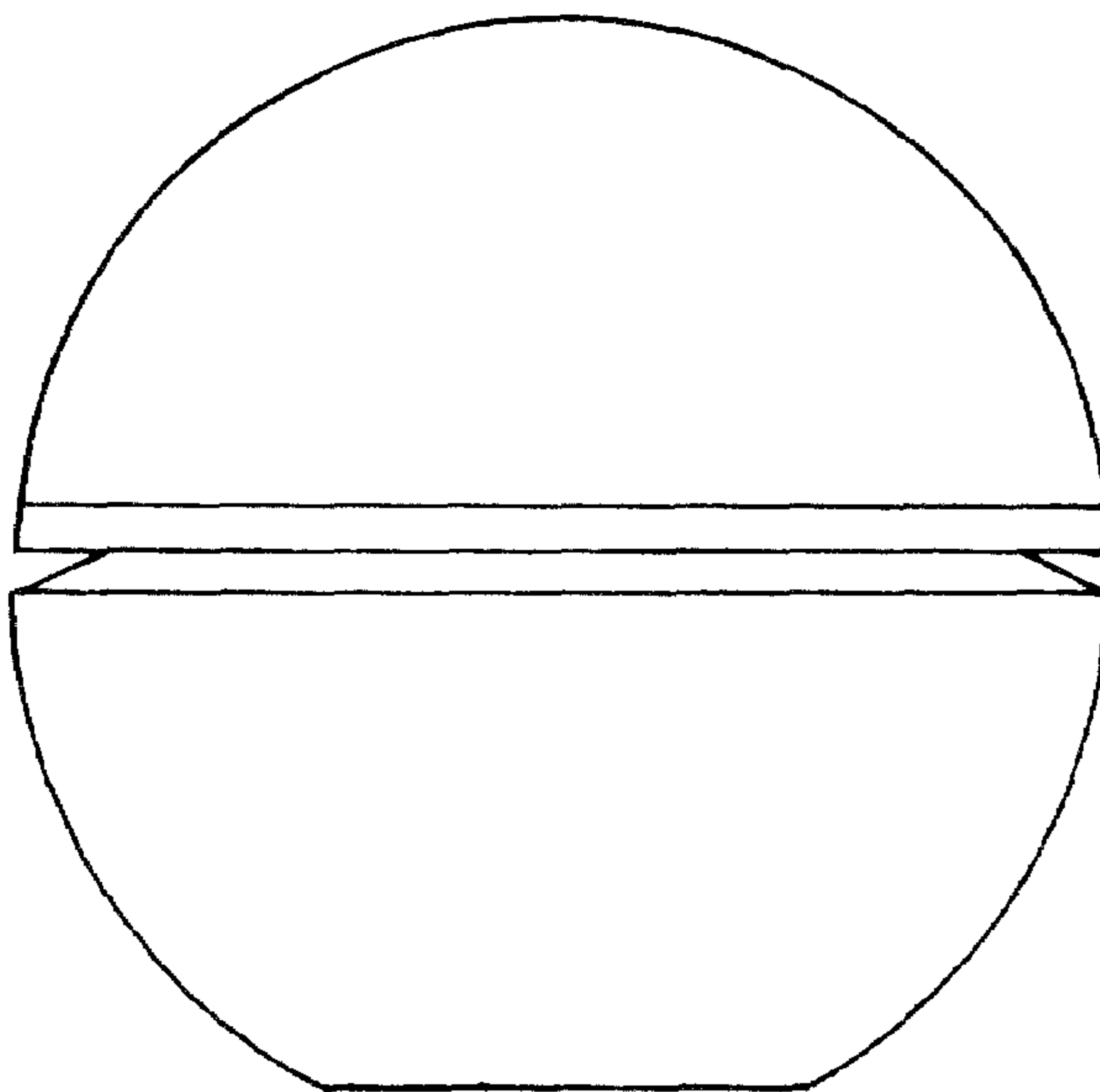
The ornamental design for a bottle, as shown and described.

DESCRIPTION

FIG. 1 is a top plan view of the bottle showing my new design; FIG. 2 is front elevational view, the opposite, rear, side being a mirror image of the side shown; and,

FIG. 3 is a bottom plan view thereof. The broken lines are for environmental purposes only and form no part of the claimed design.

1 Claim, 1 Drawing Sheet



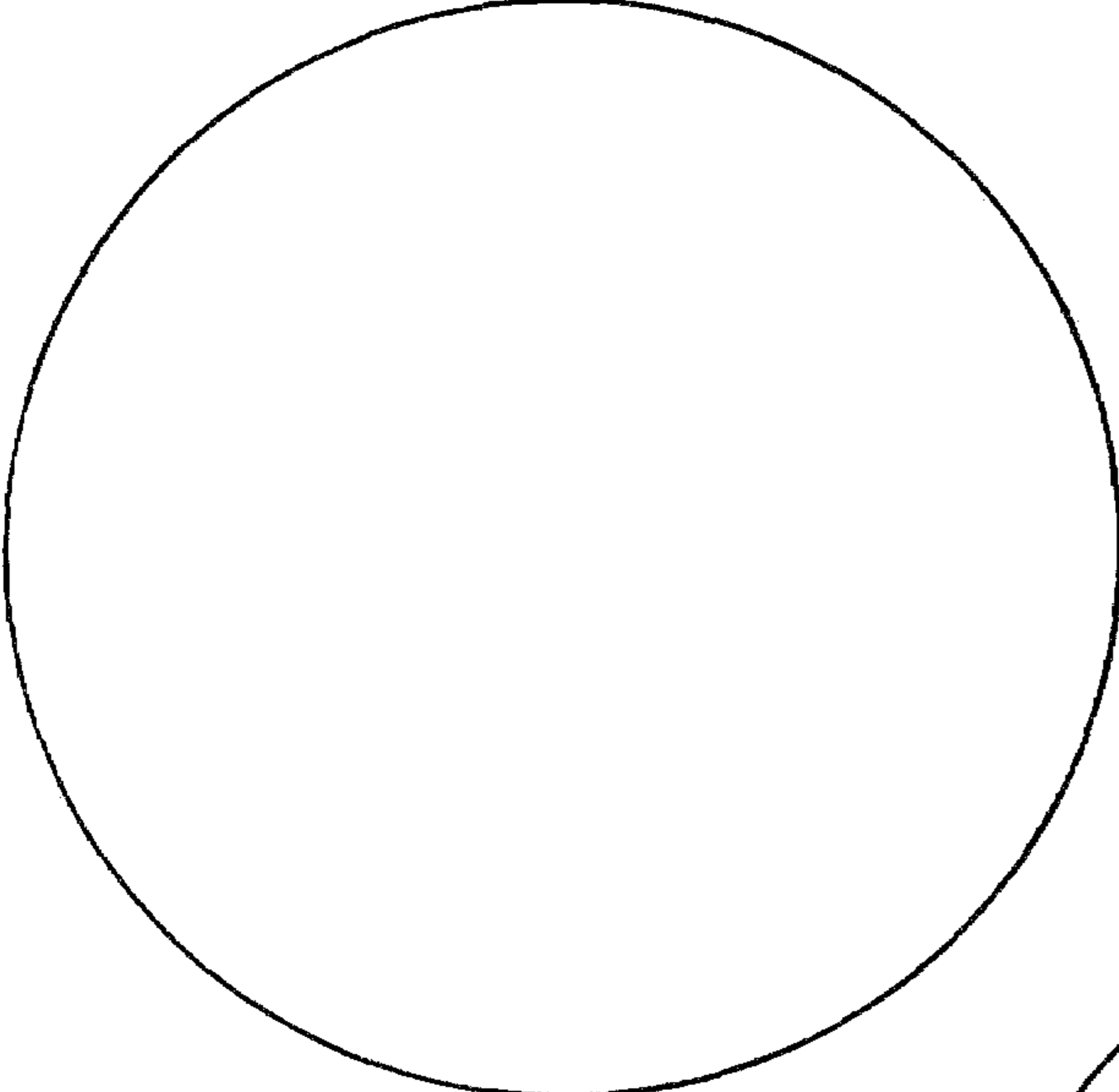


Fig. 1

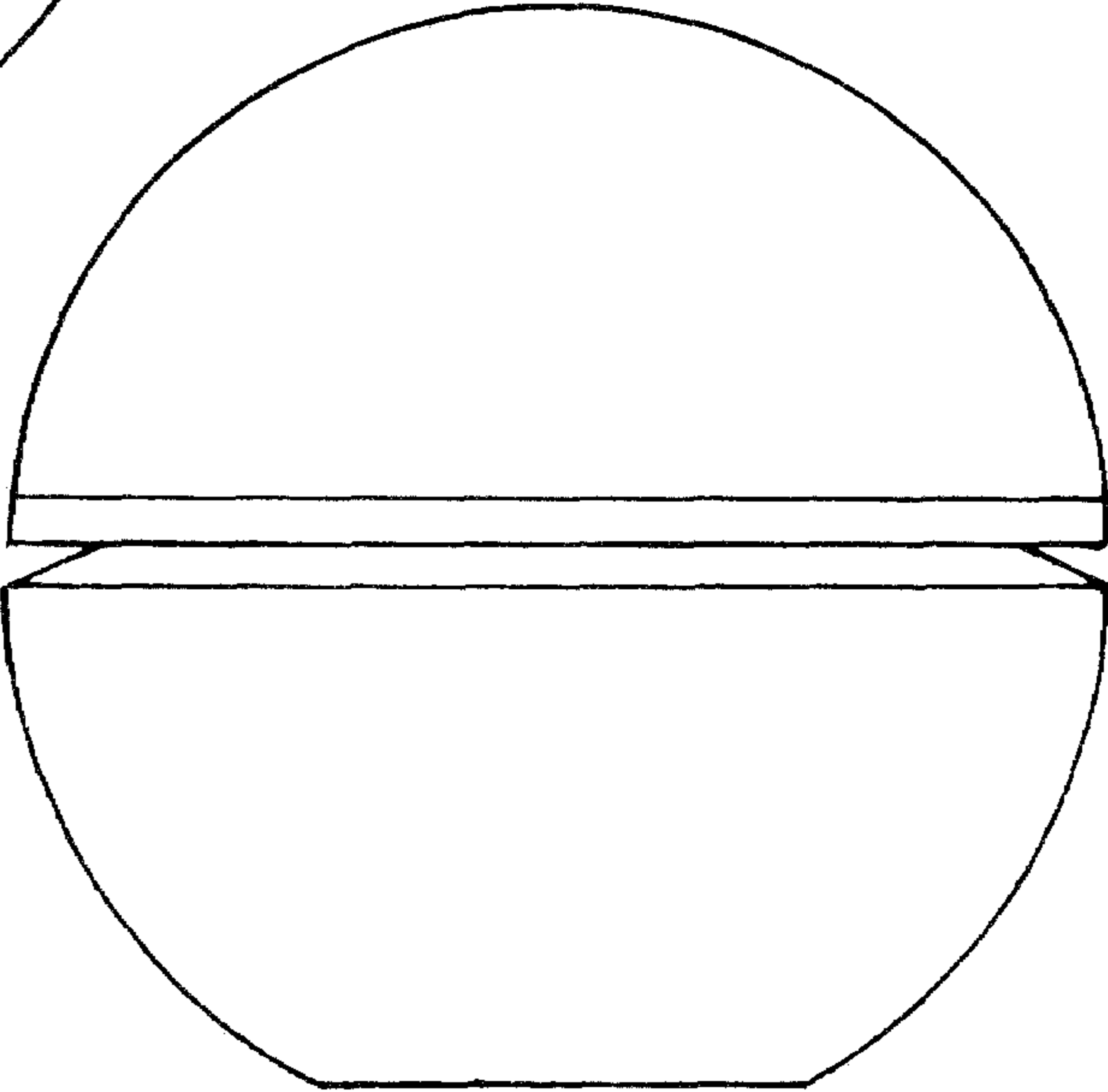


Fig. 2

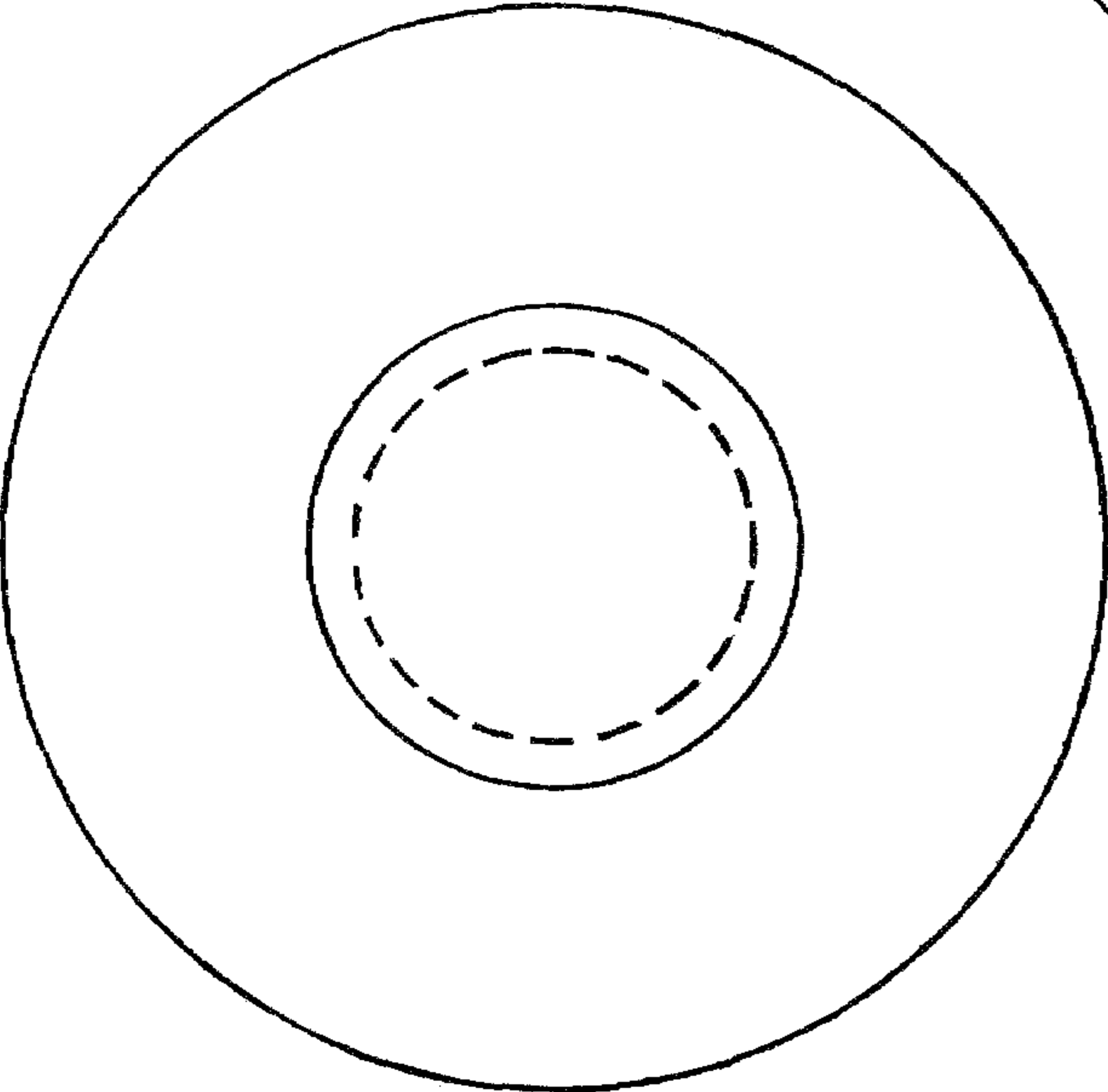


Fig. 3