



US00D612244S

(12) **United States Design Patent**
Farrell et al.

(10) **Patent No.:** **US D612,244 S**
(45) **Date of Patent:** **** Mar. 23, 2010**

(54) **PORTION OF A BOTTLE**

(75) Inventors: **Michael Sean Farrell**, Terrace Park, OH (US); **John William Koenig**, Cincinnati, OH (US); **Robert Howard Roth**, Cincinnati, OH (US); **Michael Thomas Roller**, Covington, KY (US)

(73) Assignee: **The Procter & Gamble Company**, Cincinnati, OH (US)

(**) Term: **14 Years**

(21) Appl. No.: **29/343,148**

(22) Filed: **Sep. 9, 2009**

Related U.S. Application Data

(62) Division of application No. 29/308,924, filed on Jul. 16, 2008, now Pat. No. Des. 604,616.

(51) **LOC (9) Cl.** **09-01**

(52) **U.S. Cl.** **D9/516; D9/523**

(58) **Field of Classification Search** D9/682,
D9/685-687, 693-694, 516, 523, 526, 528,
D9/530-531, 535, 541-543, 565, 567, 569-570,
D9/575; 215/382-384

See application file for complete search history.

(56) **References Cited**

U.S. PATENT DOCUMENTS

D200,880 S 4/1965 Morgan
D213,763 S 4/1969 Plummer
D276,412 S 11/1984 Toomey
D286,379 S 10/1986 Lyons

D309,256 S 7/1990 Boesel
D317,719 S 6/1991 Hestehave et al.
D334,795 S 4/1993 Demarest
D406,527 S * 3/1999 Anderson et al. D9/523
6,321,941 B1 11/2001 Argentieri et al.
D456,268 S 4/2002 Hague et al.
D467,809 S 12/2002 Pouillot et al.
D473,795 S 4/2003 Calello et al.
D475,627 S 6/2003 Calello et al.
D484,804 S 1/2004 Pouillot et al.
D485,178 S 1/2004 Pouillot et al.
D543,464 S * 5/2007 Lora D9/523
D557,140 S 12/2007 Voight et al.
D559,688 S * 1/2008 Feen D9/522
D592,514 S 5/2009 Schwartz et al.
2002/0179635 A1 12/2002 Incardona et al.

* cited by examiner

Primary Examiner—Carol Rademaker

(74) *Attorney, Agent, or Firm*—Larry L. Huston

(57) **CLAIM**

The ornamental design for a portion of a bottle, as shown and described.

DESCRIPTION

FIG. 1 is a top, rear, and left side perspective view of a portion of a bottle, embodying our new design;

FIG. 2 is a right side elevational view thereof;

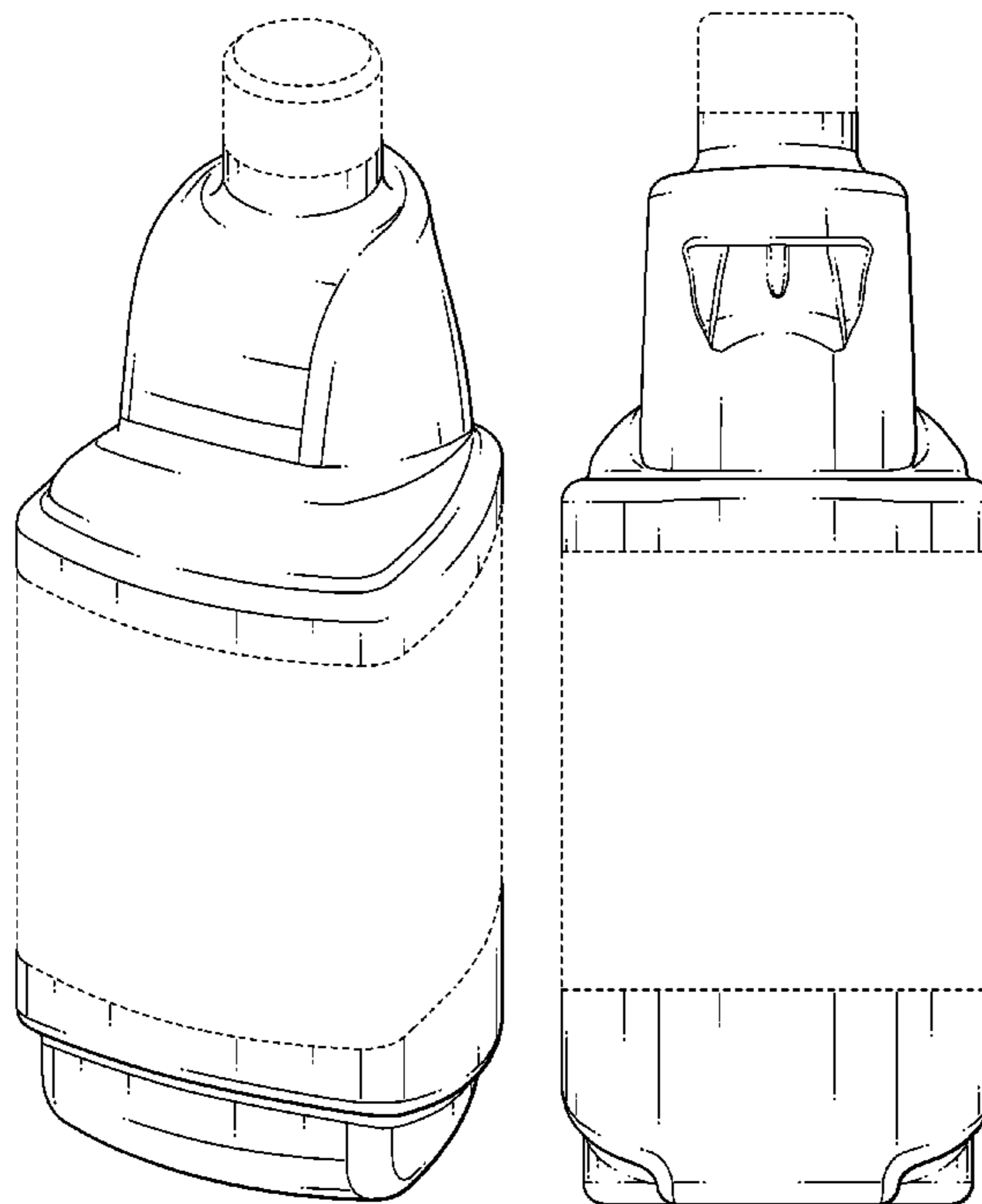
FIG. 3 is a front elevational view thereof;

FIG. 4 is a rear elevational view thereof;

FIG. 5 is a top plan view thereof; and,

FIG. 6 is a bottom plan view thereof.

1 Claim, 5 Drawing Sheets



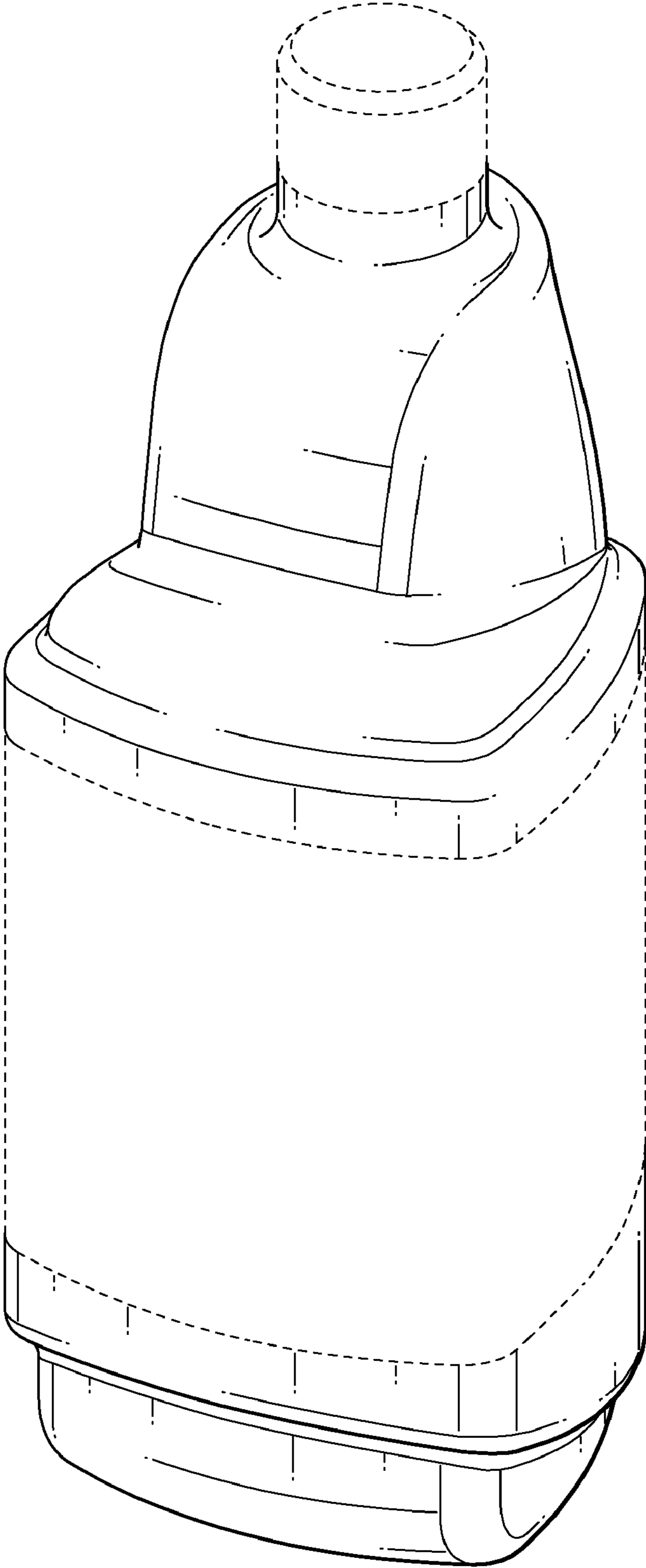


FIG. 1

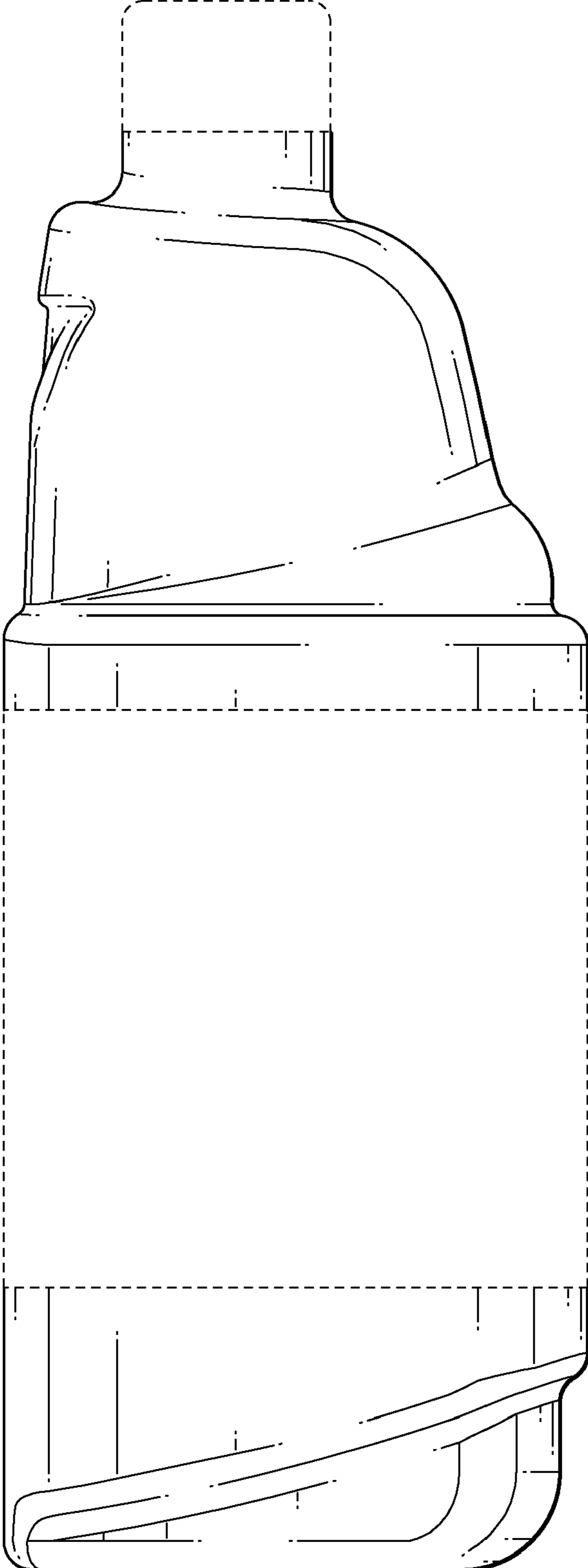


FIG. 2

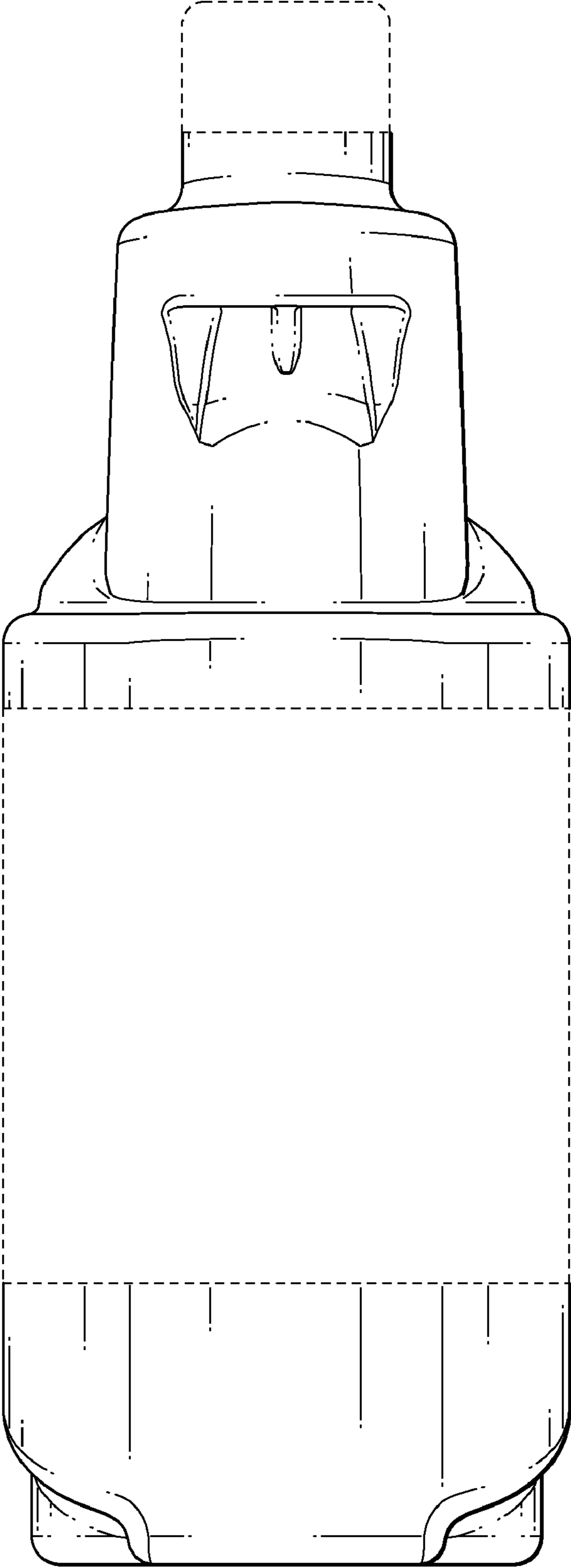


FIG. 3

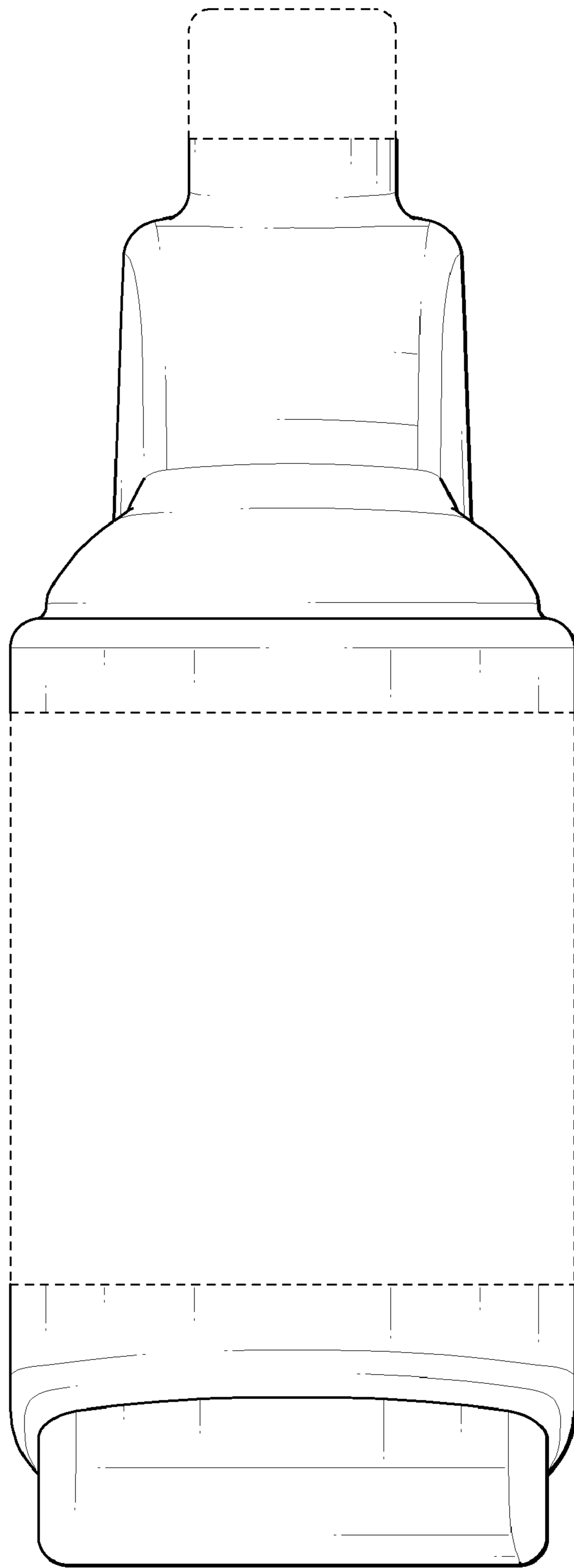


FIG. 4

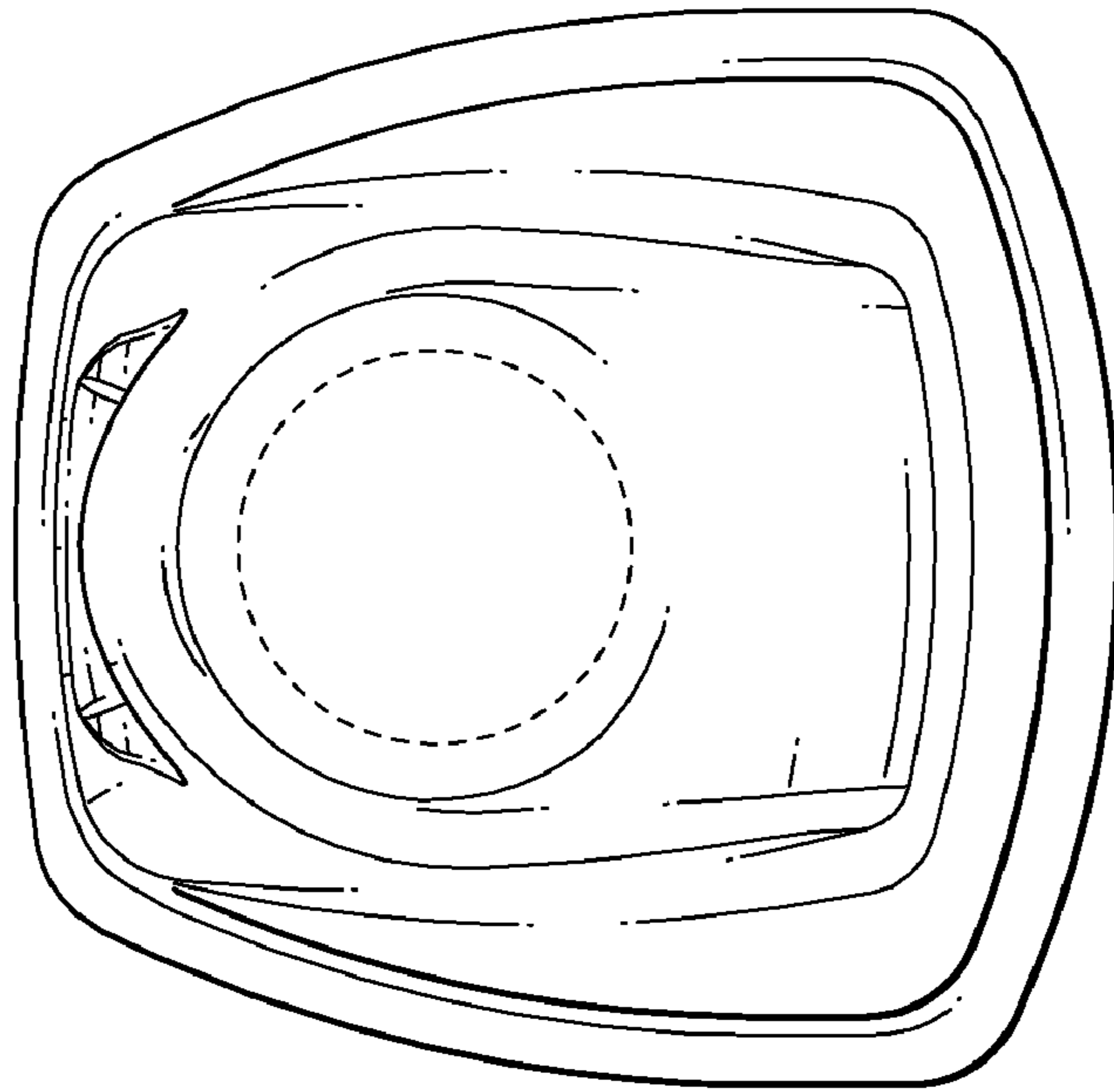


FIG. 5

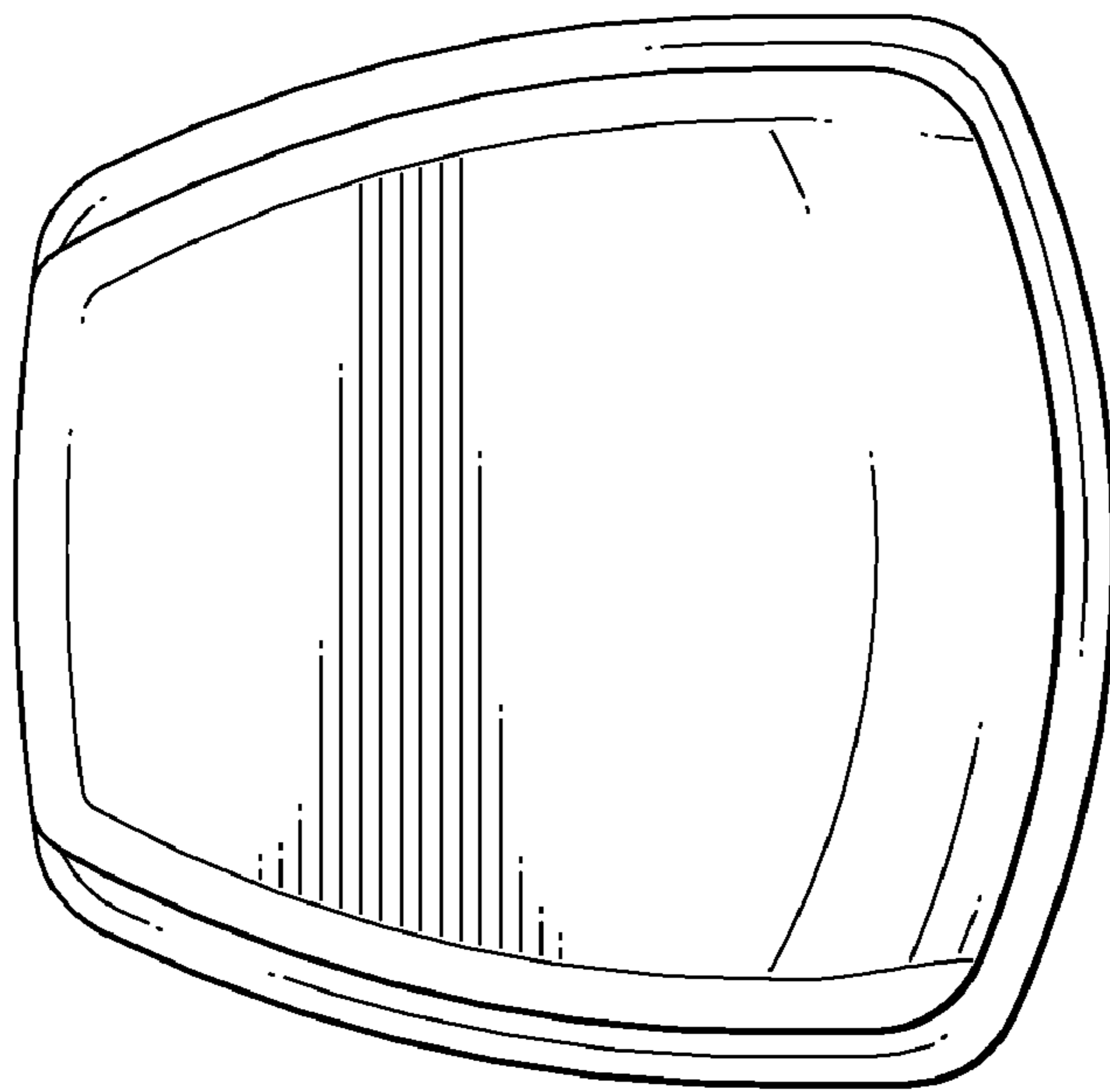


FIG. 6