



US00D612241S

(12) **United States Design Patent**  
**Fei**

(10) **Patent No.:** **US D612,241 S**

(45) **Date of Patent:** **\*\* Mar. 23, 2010**

(54) **BOTTLE**

(75) Inventor: **Li Yun Fei**, Chengdu (CN)

(73) Assignee: **Diageo Singapore Pte. Ltd.**, Singapore (SG)

(\*\*) Term: **14 Years**

(21) Appl. No.: **29/309,181**

(22) Filed: **Jul. 1, 2008**

(30) **Foreign Application Priority Data**

May 28, 2008 (EM) ..... 000945050

(51) **LOC (9) Cl.** ..... **09-01**

(52) **U.S. Cl.** ..... **D9/516; D9/520; D9/571**

(58) **Field of Classification Search** ..... D9/516,  
D9/520, 522, 530, 537-540, 544-546, 549,  
D9/554, 555, 566, 568, 571, 575; 215/381-385  
See application file for complete search history.

(56) **References Cited**

**U.S. PATENT DOCUMENTS**

D7,988 S *	1/1875	Durkee	.....	D9/571
D37,226 S *	11/1904	Evans	.....	D9/546
D57,147 S *	2/1921	Ohkr	.....	D9/546
D177,271 S *	3/1956	Nash	.....	D9/539
D233,738 S *	11/1974	Latorre	.....	D9/538
D308,334 S *	6/1990	Gormley et al.	.....	D9/549
D322,027 S *	12/1991	Knudsen et al.	.....	D9/516
D331,367 S *	12/1992	Armstrong	.....	D9/553
D436,852 S *	1/2001	Chan	.....	D9/738
D447,698 S *	9/2001	Kaufman	.....	D9/551

D548,604 S *	8/2007	Rica	.....	D9/540
D550,080 S *	9/2007	Rica	.....	D9/500
D555,488 S *	11/2007	Marton	.....	D9/544
D561,041 S *	2/2008	Sajous	.....	D9/549
D563,788 S *	3/2008	Reimann et al.	.....	D9/516
D576,495 S *	9/2008	Slubski	.....	D9/537
D583,247 S *	12/2008	DeFina	.....	D9/546

\* cited by examiner

*Primary Examiner*—Stella M Reid

*Assistant Examiner*—Elizabeth J Oswecki

(74) *Attorney, Agent, or Firm*—Morgan, Lewis & Bockius LLP

(57) **CLAIM**

The ornamental design for a bottle, as shown and described.

**DESCRIPTION**

FIG. 1 is a perspective view of a bottle showing my new design;

FIG. 2 is an enlarged top plan view thereof;

FIG. 3 is an enlarged bottom plan view thereof;

FIG. 4 is a front elevation view thereof;

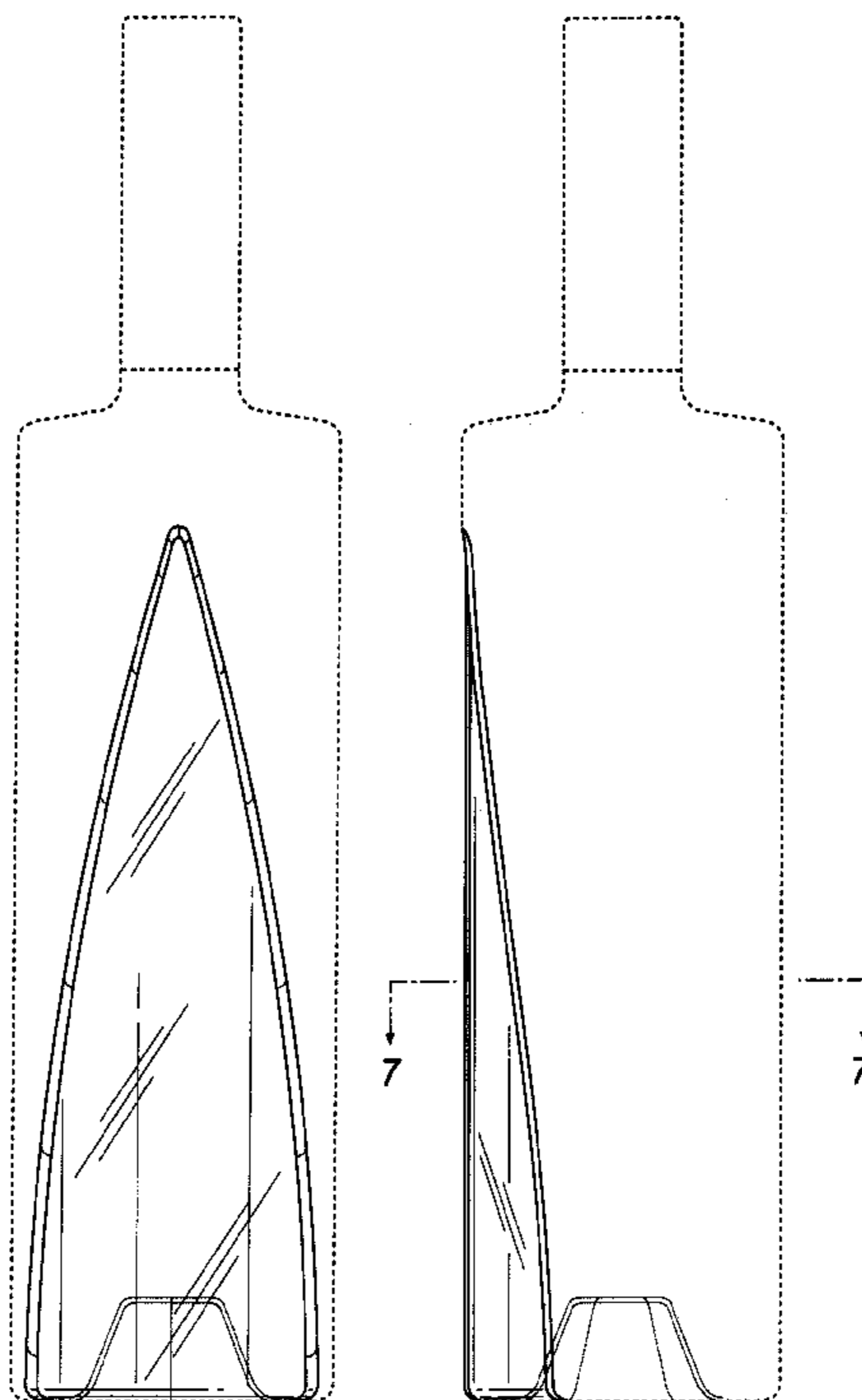
FIG. 5 is a back elevation view thereof;

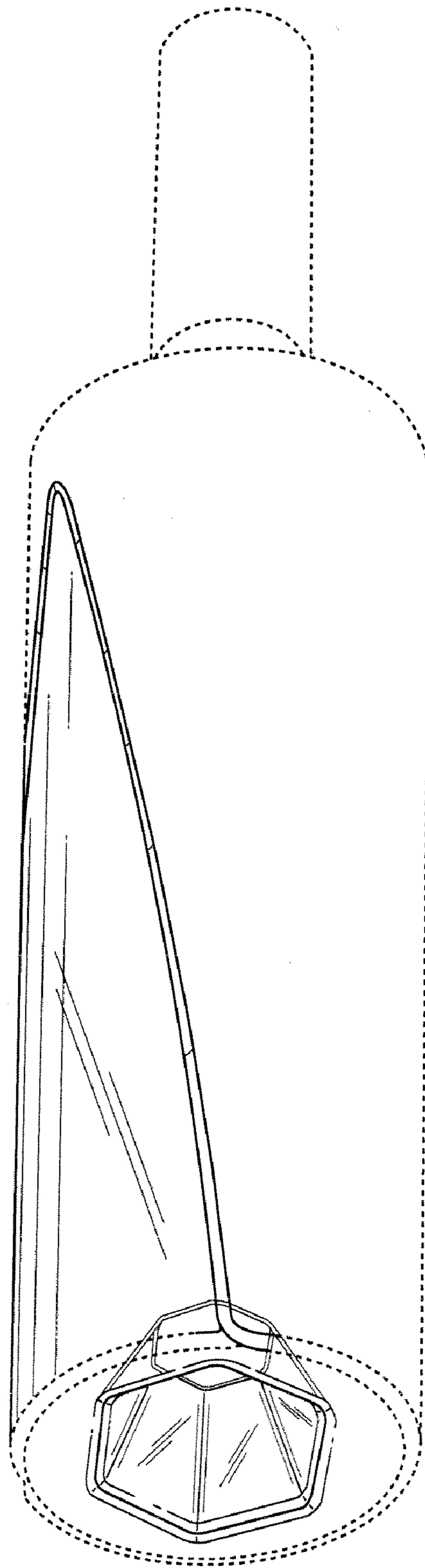
FIG. 6 is a side elevation view thereof; and,

FIG. 7 is a cross sectional view of the design taken through line 7—7 of FIG. 6.

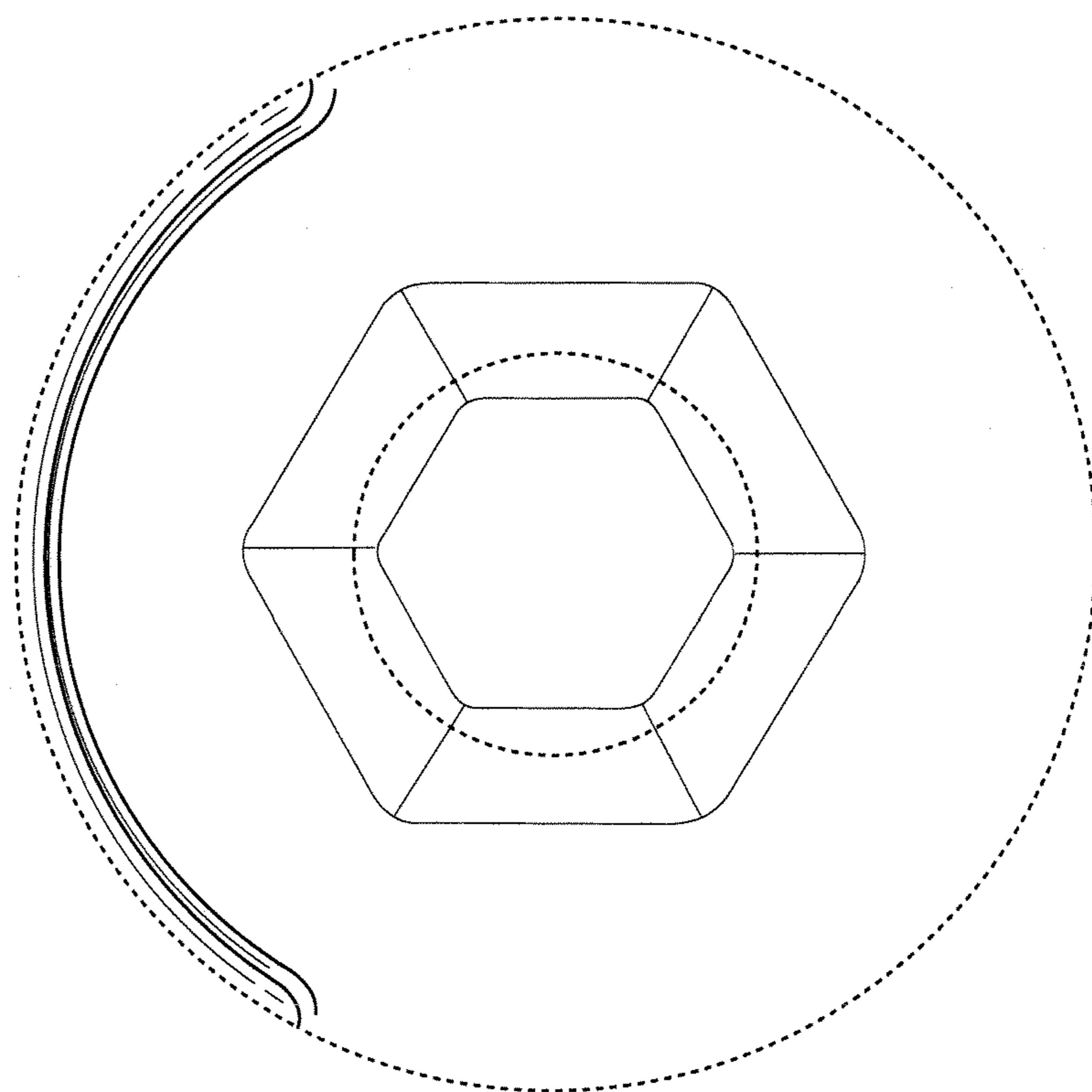
The broken line showing of a bottle is included for the purpose of illustrating only and forms no part of the claimed design.

**1 Claim, 7 Drawing Sheets**

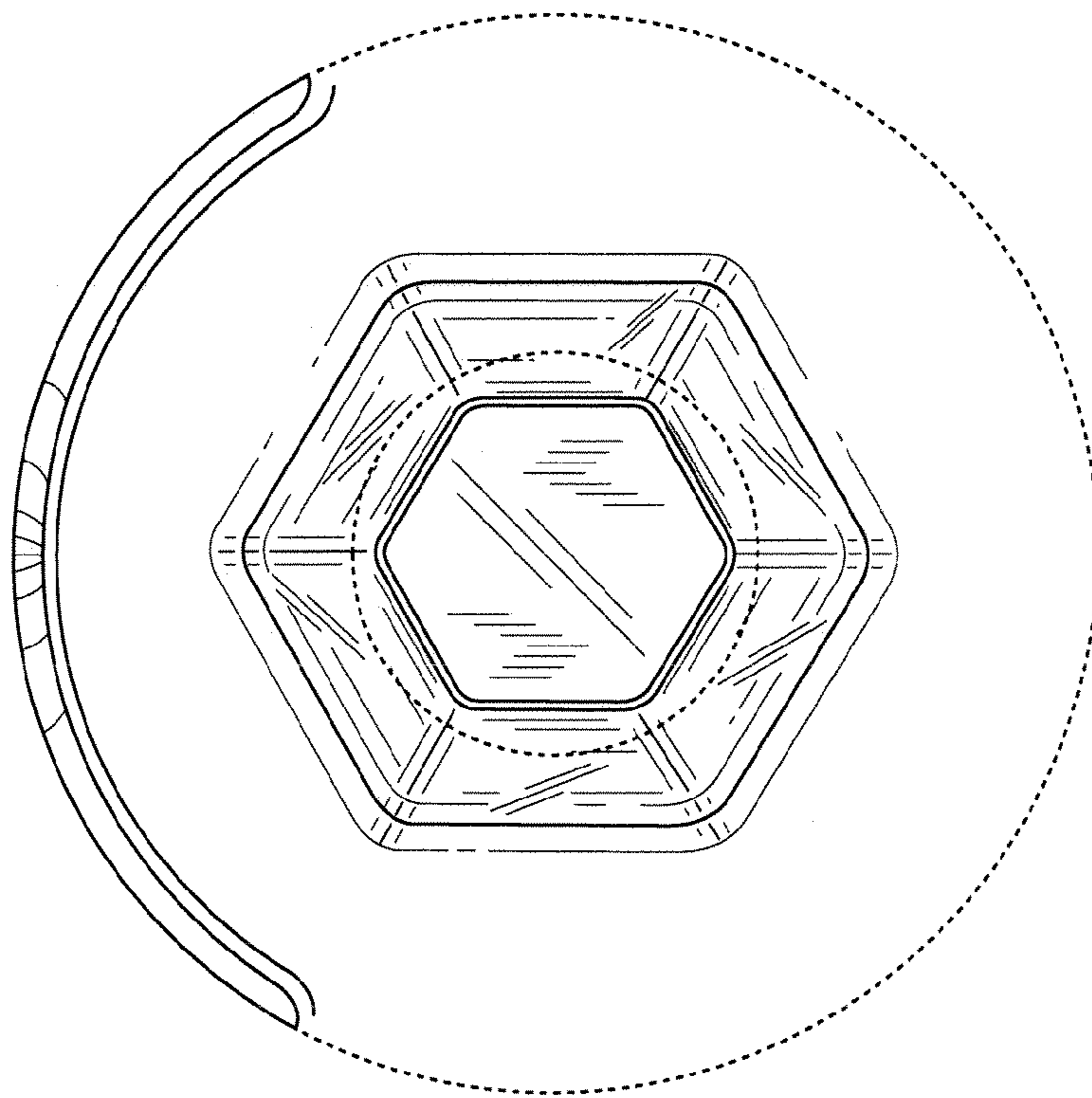




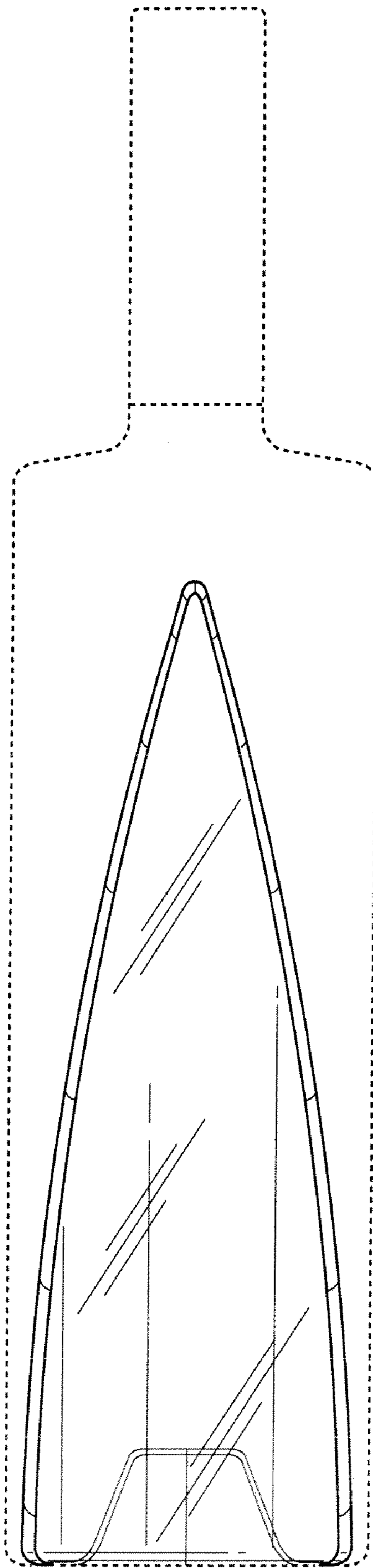
**FIG. 1**



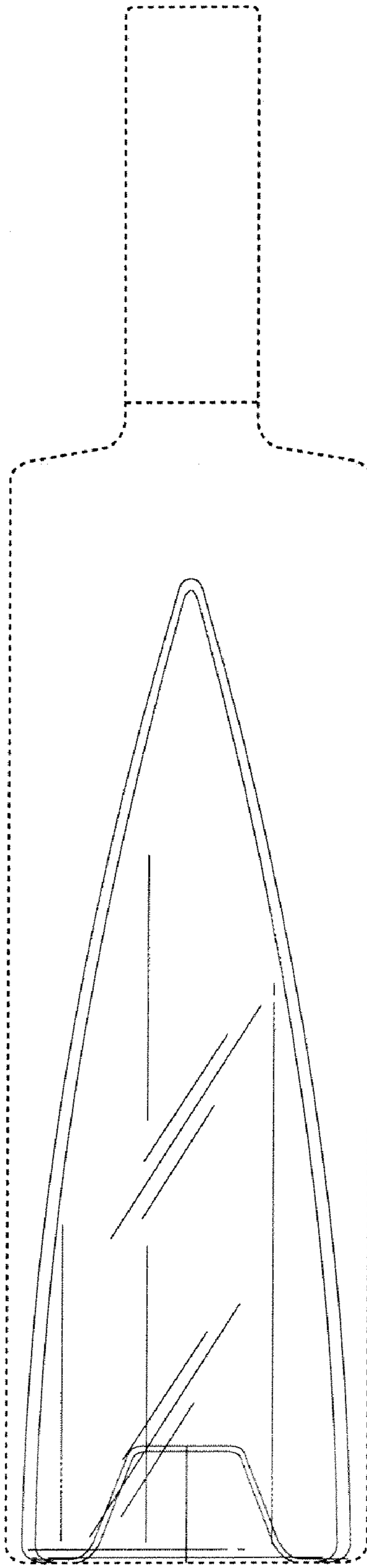
**FIG. 2**



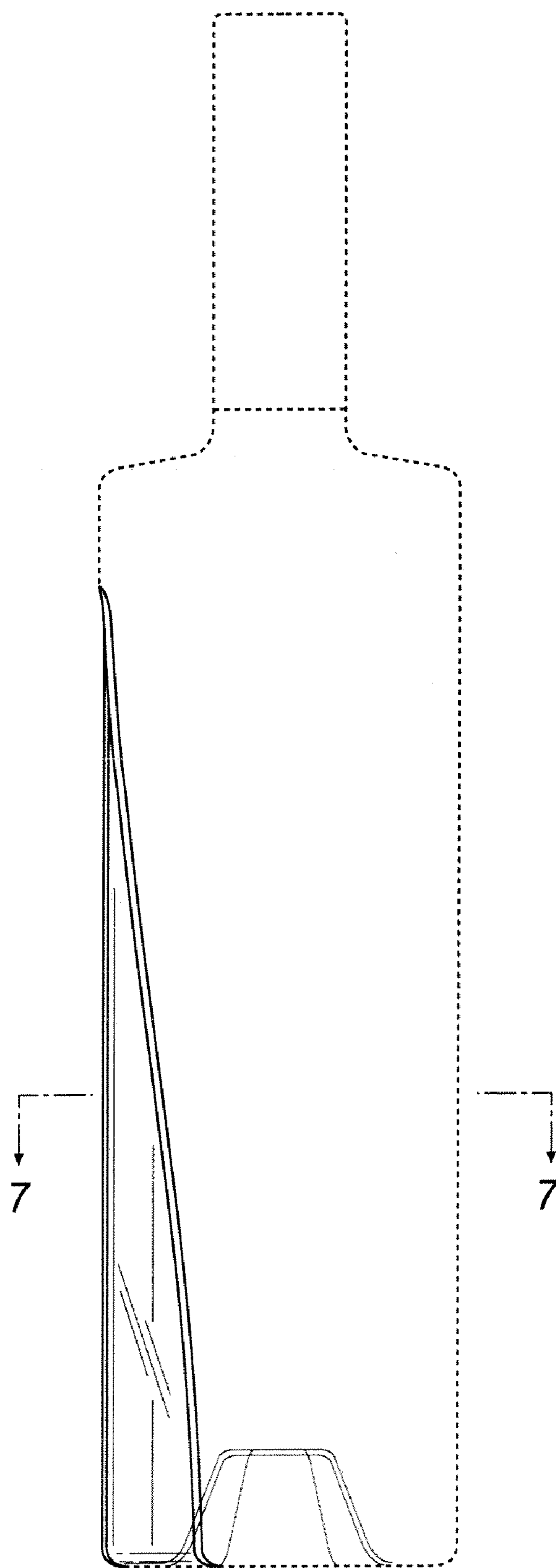
**FIG. 3**



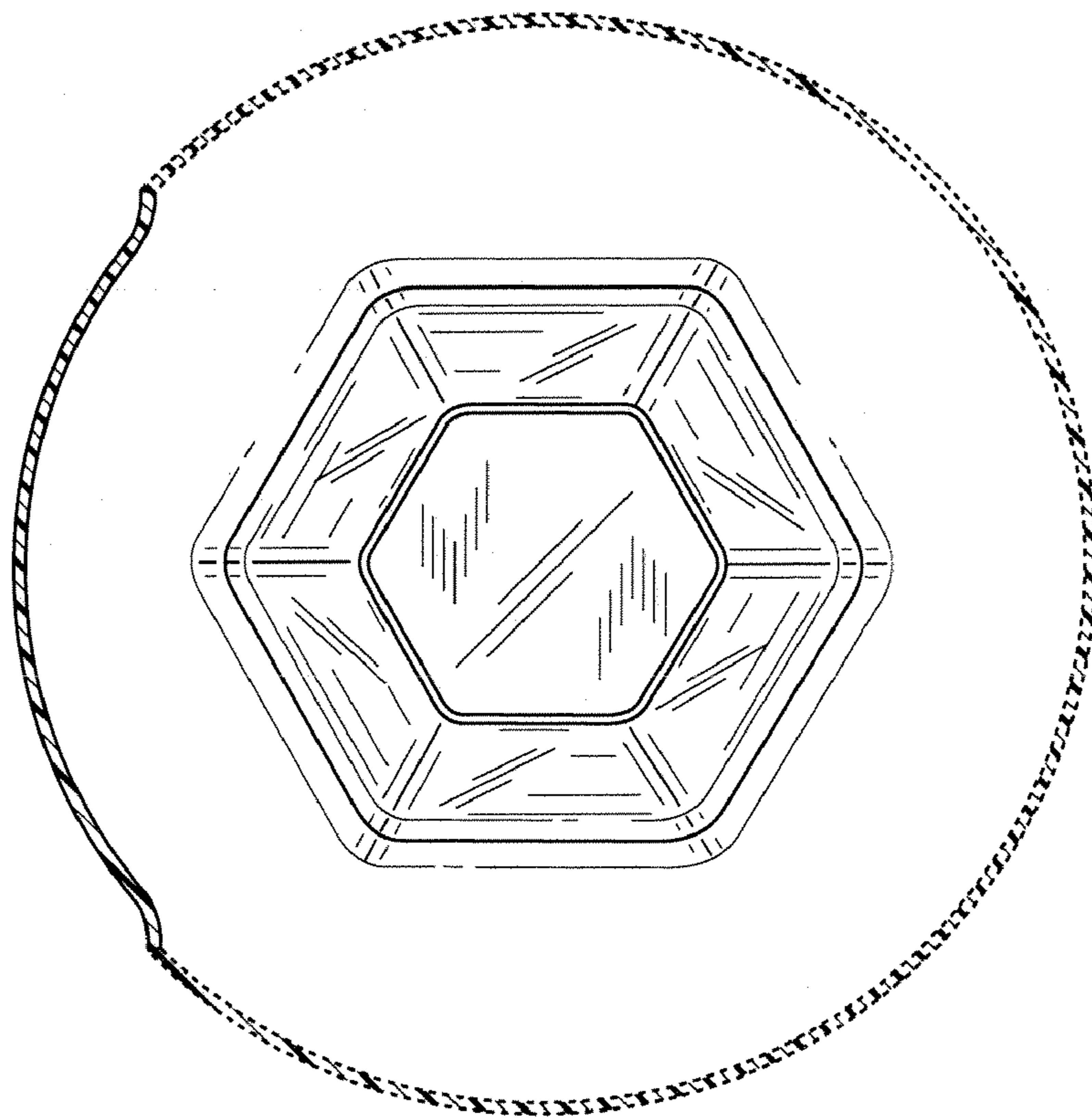
**FIG. 4**



**FIG. 5**



**FIG. 6**



**FIG. 7**