



US00D612239S

(12) **United States Design Patent**
Marotti et al.

(10) **Patent No.:** **US D612,239 S**
(45) **Date of Patent:** **** Mar. 23, 2010**

(54) **TOP PORTION OF A BOTTLE CAP**

(75) Inventors: **Martin Jay Marotti**, Carmel, IN (US);
Philip Edwin Hague, Chicago, IL (US);
Stacy Alycia Thomas, Chicago, IL (US)

(73) Assignee: **The Procter & Gamble Company**,
Cincinnati, OH (US)

(**) Term: **14 Years**

(21) Appl. No.: **29/337,945**

(22) Filed: **Jun. 2, 2009**

Related U.S. Application Data

(63) Continuation of application No. 29/304,709, filed on
Mar. 6, 2008, now Pat. No. Des. 599,666.

(51) **LOC (9) Cl.** **09-07**

(52) **U.S. Cl.** **D9/452; D9/454**

(58) **Field of Classification Search** D9/668,
D9/651, 635, 632, 623, 621, 614, 600, 549,
D9/545, 505, 504, 503, 500, 457, 454, 453,
D9/452, 451, 445, 444, 443, 441, 439, 435,
D9/434, 433, 430, 414; D8/307; D21/713;
215/356, 355, 329, 316, 296, 246, 230, 228

See application file for complete search history.

(56) **References Cited**

U.S. PATENT DOCUMENTS

D96,926 S * 9/1935 Lindeman D9/451
3,085,709 A 4/1963 Klein
D347,710 S 6/1994 Yang

D376,317 S 12/1996 Weiss
D447,602 S 9/2001 Dumler et al.
D448,994 S 10/2001 Siebert et al.
D512,911 S 12/2005 Floyd et al.
D517,407 S 3/2006 Floyd et al.
D535,879 S * 1/2007 Crawford et al. D9/451
D546,684 S * 7/2007 Crawford et al. D9/451
D548,076 S 8/2007 Matsumura et al.
D553,491 S 10/2007 Blasko et al.
D590,711 S * 4/2009 Floyd et al. D9/435
D592,054 S * 5/2009 Floyd et al. D9/435
D598,284 S * 8/2009 Floyd et al. D9/451

* cited by examiner

Primary Examiner—Susan Bennett Hattan

(74) *Attorney, Agent, or Firm*—Emelyn L. Hiland

(57) **CLAIM**

The ornamental design for a top portion of a bottle cap, as
shown and described.

DESCRIPTION

FIG. 1 is a front perspective view of a bottle cap incorporating
our new design of a top portion of a bottle cap;

FIG. 2 is a front elevational view thereof;

FIG. 3 is a rear elevational view thereof;

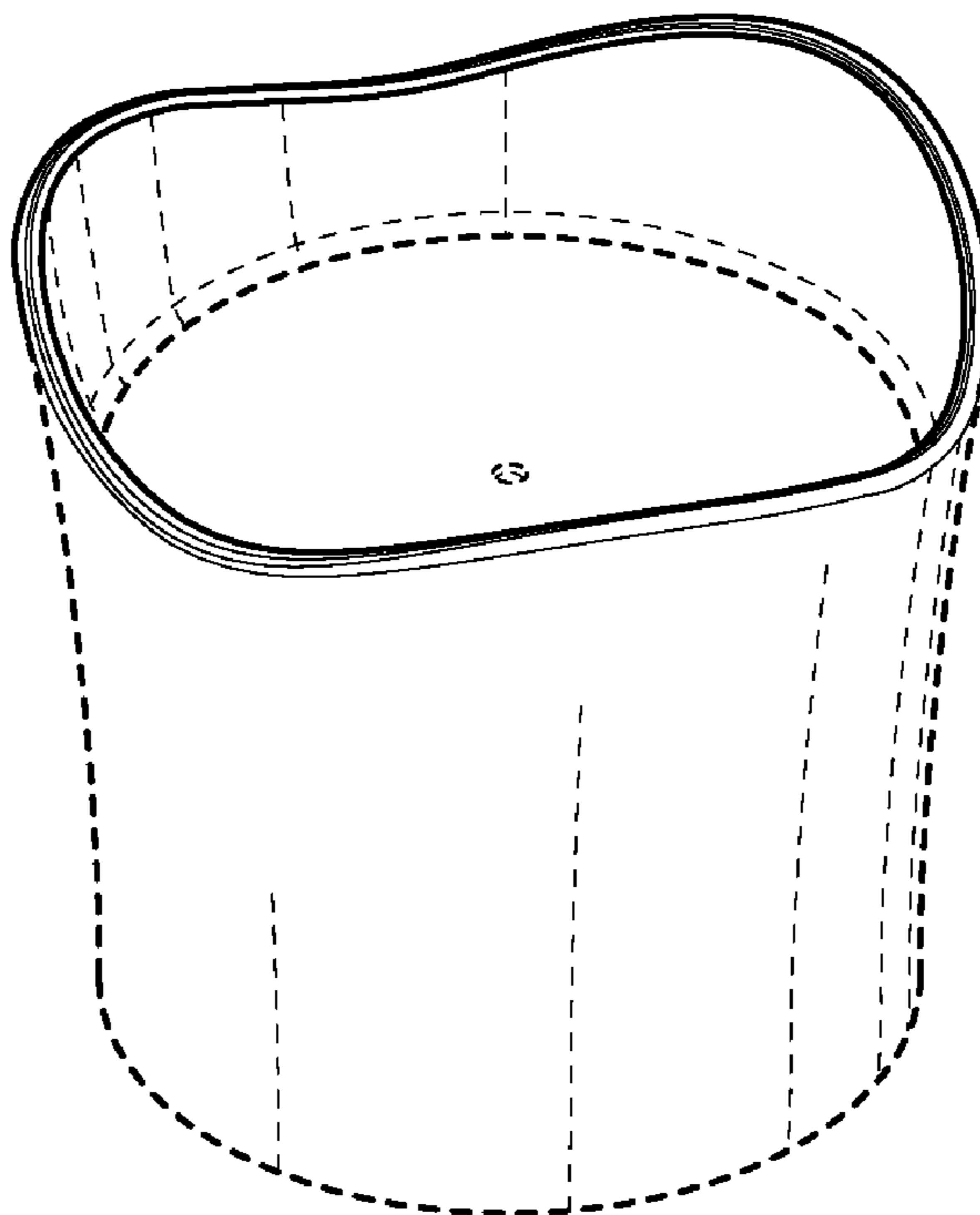
FIGS. 4 and 5 are side elevational views thereof;

FIG. 6 is a top plan view thereof; and,

FIG. 7 is a bottom view thereof.

The broken lines shown in the drawings depict environmental
subject matter and form no part of the claimed design.

1 Claim, 2 Drawing Sheets



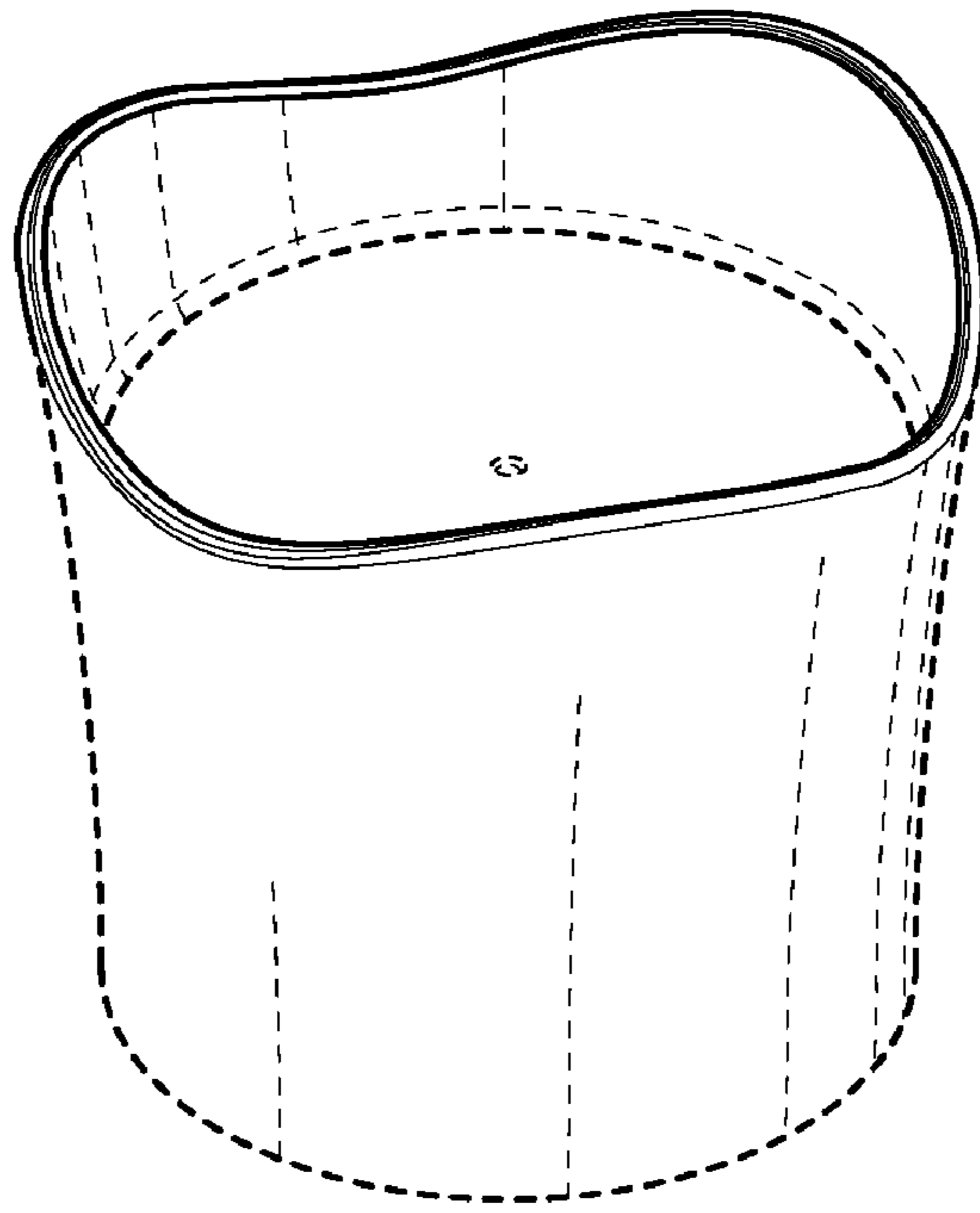


Fig. 1

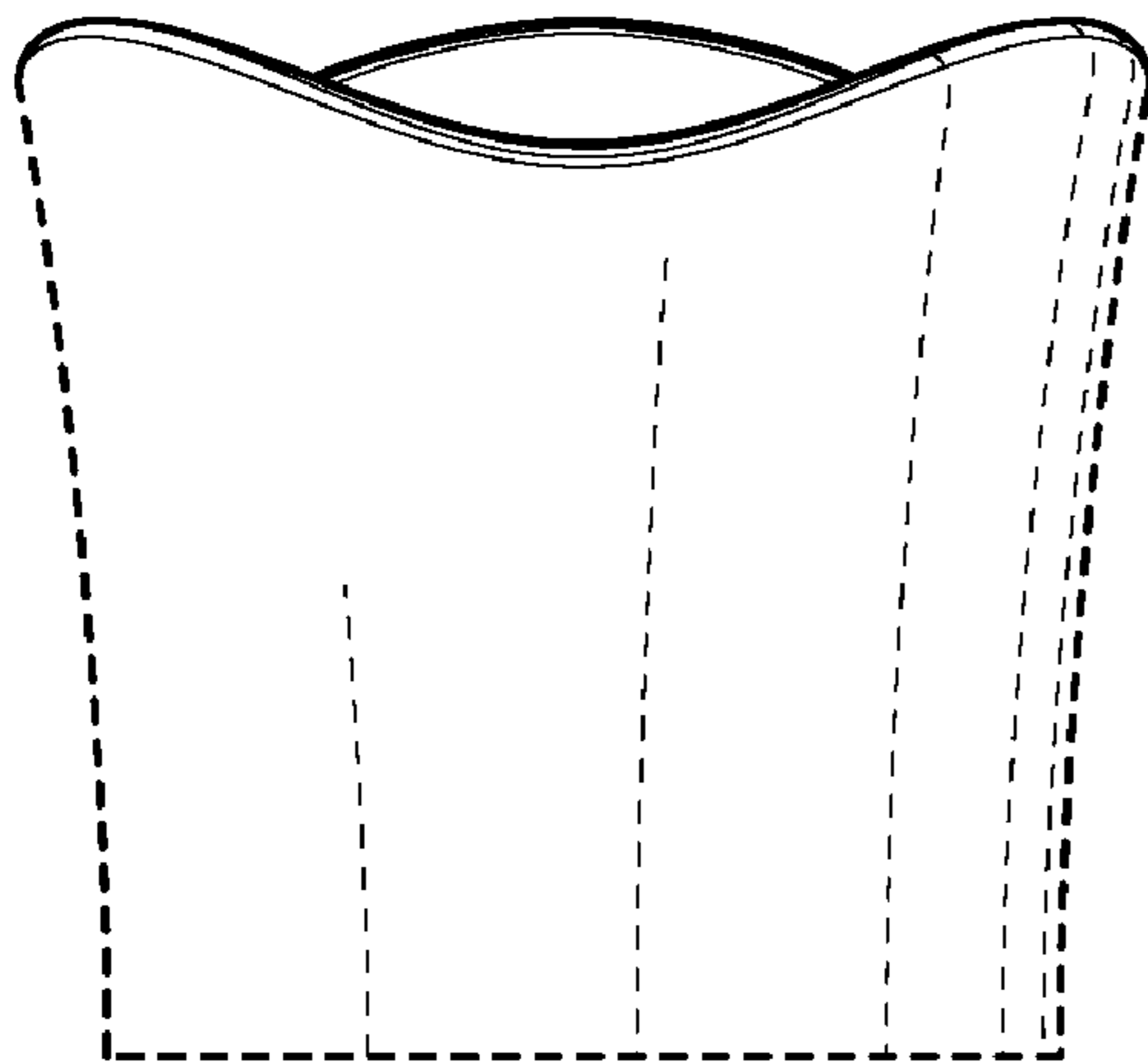


Fig. 2

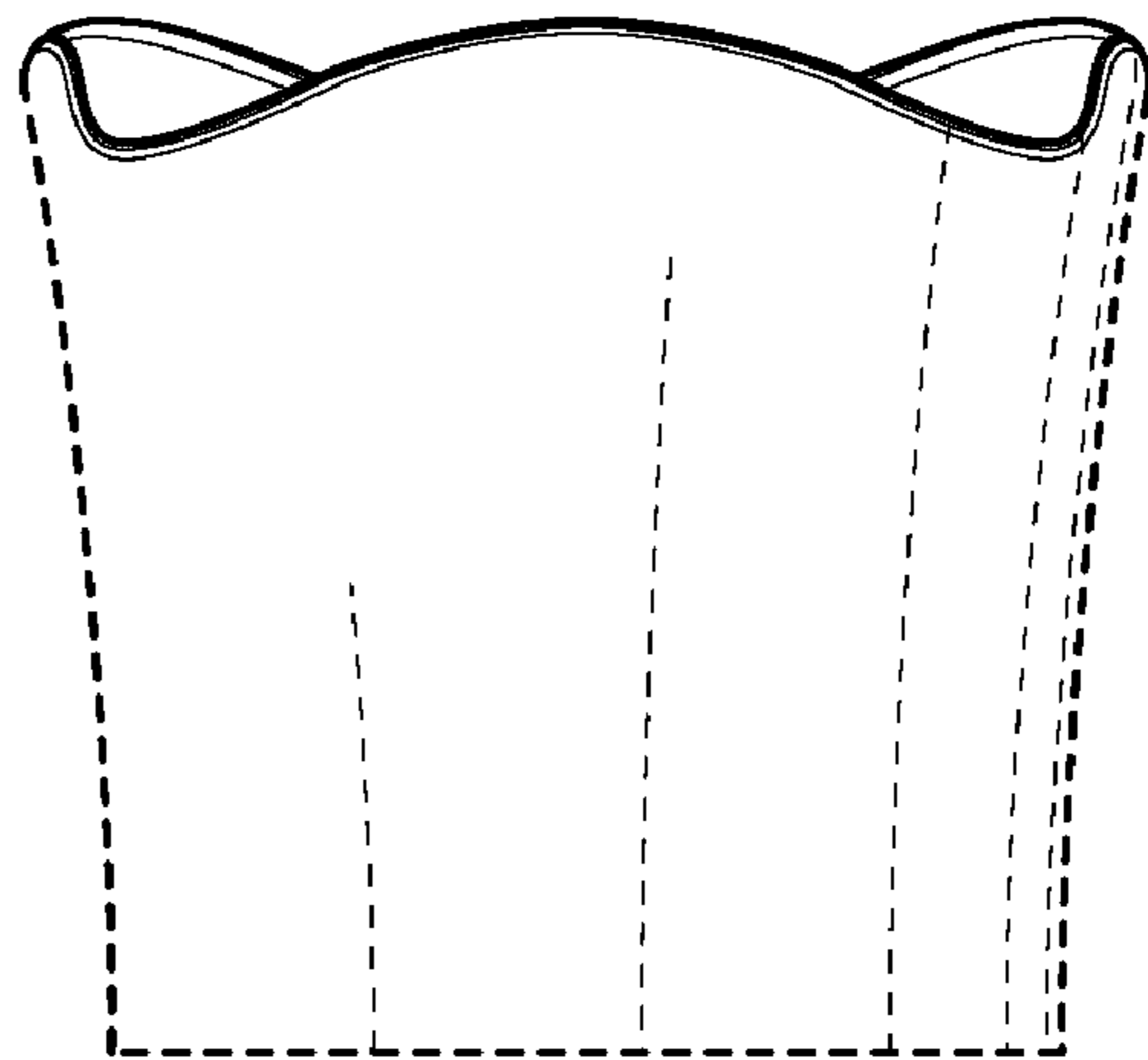


Fig. 3

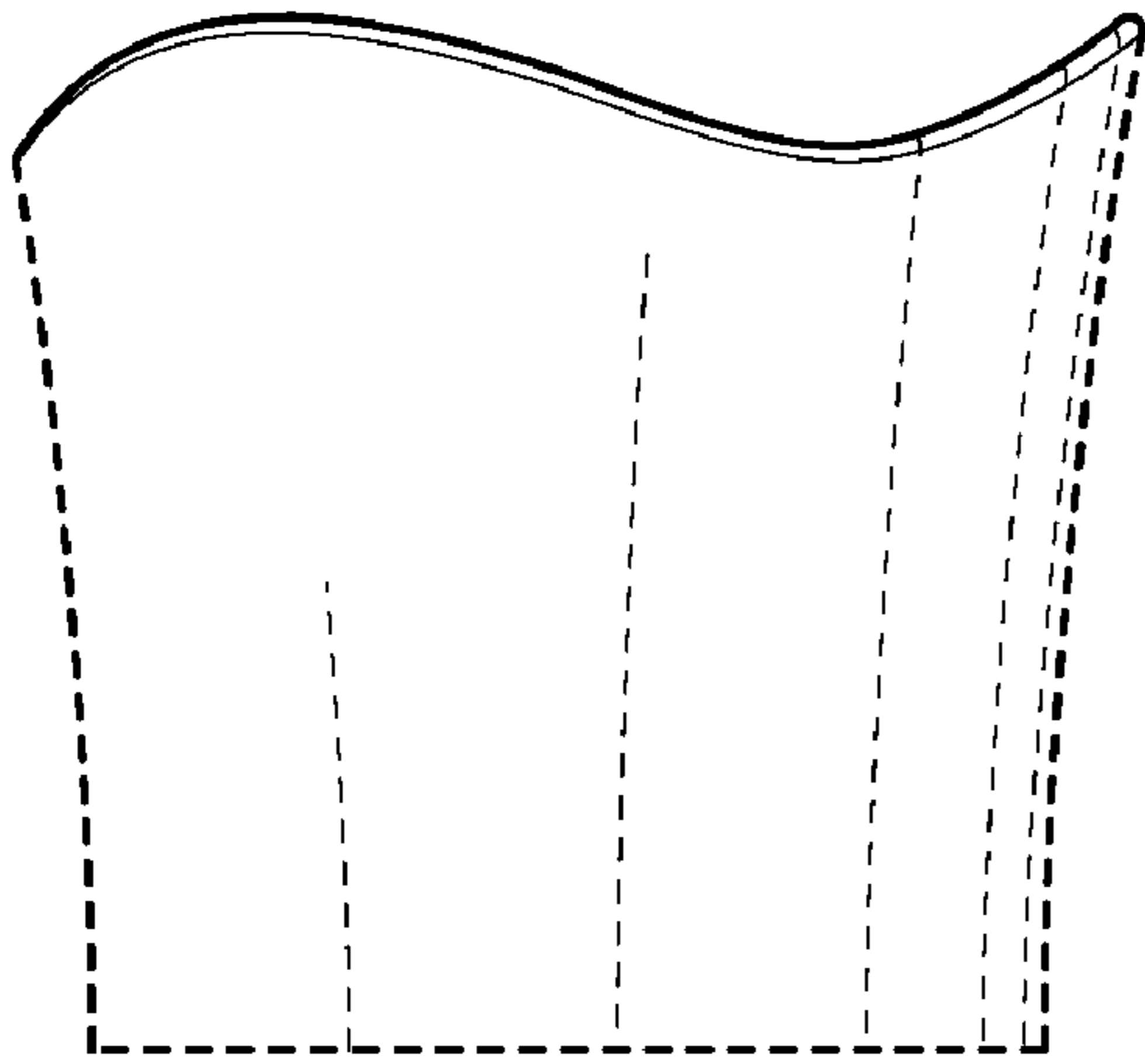


Fig. 4

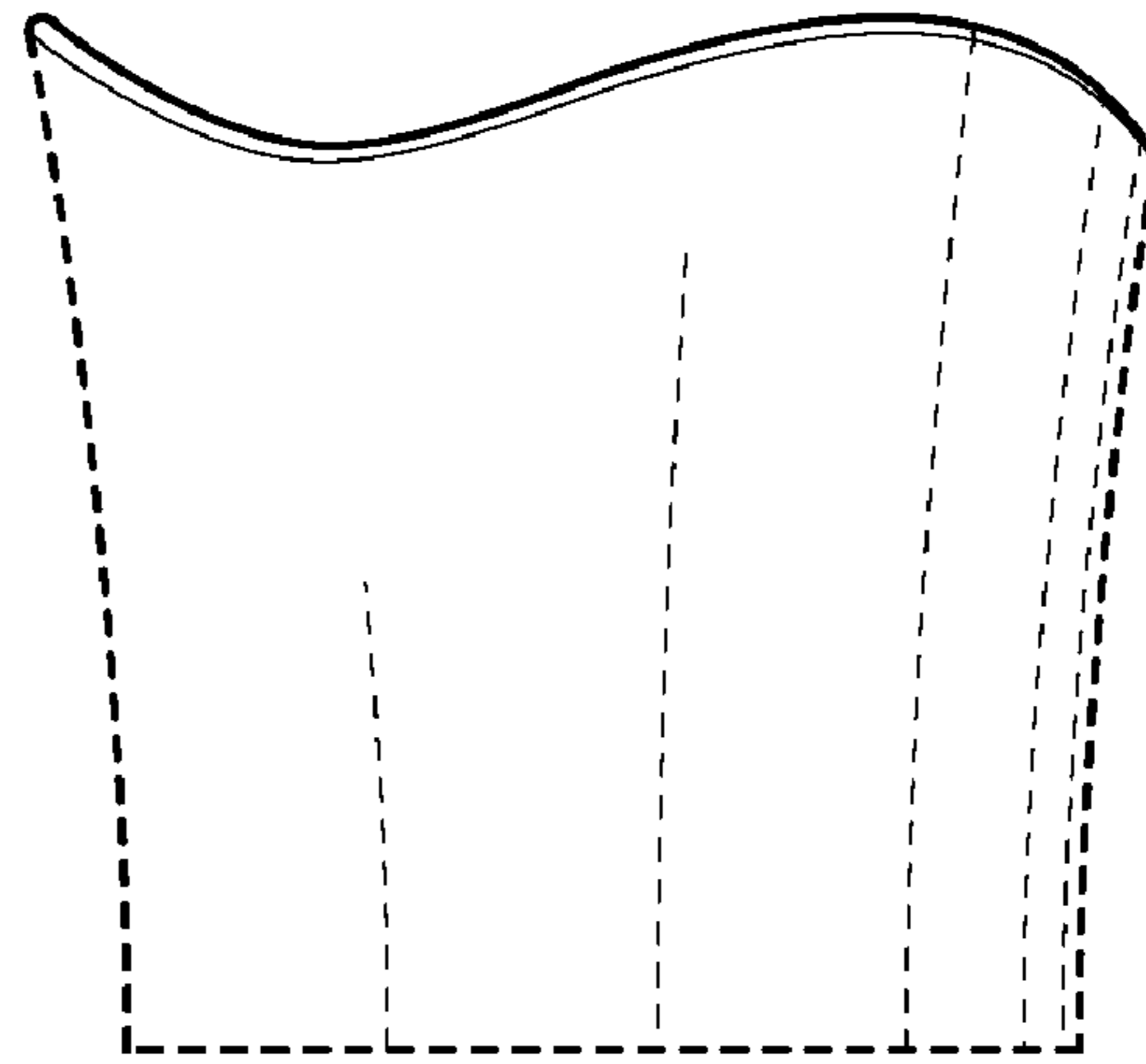


Fig. 5

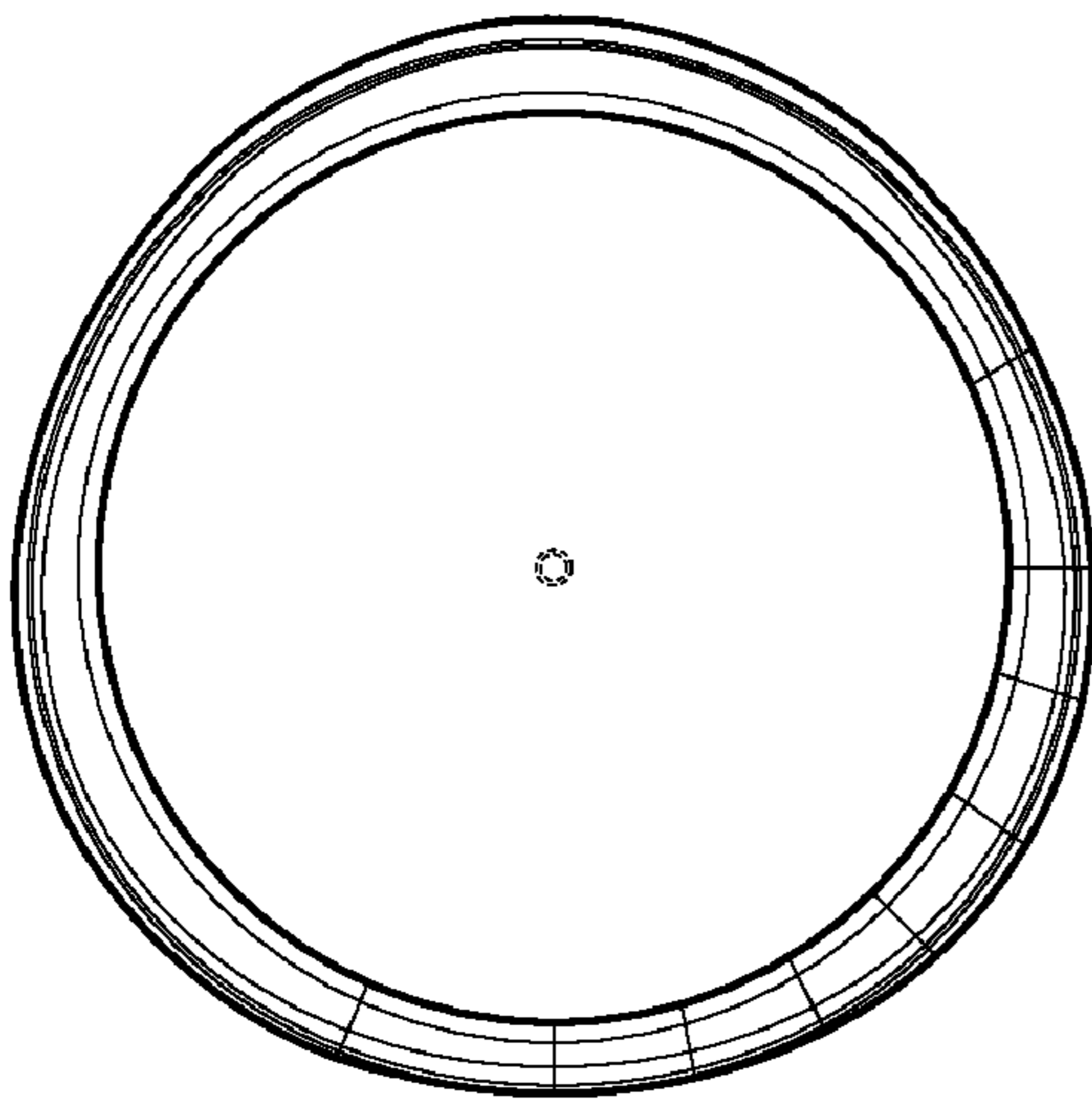


Fig. 6

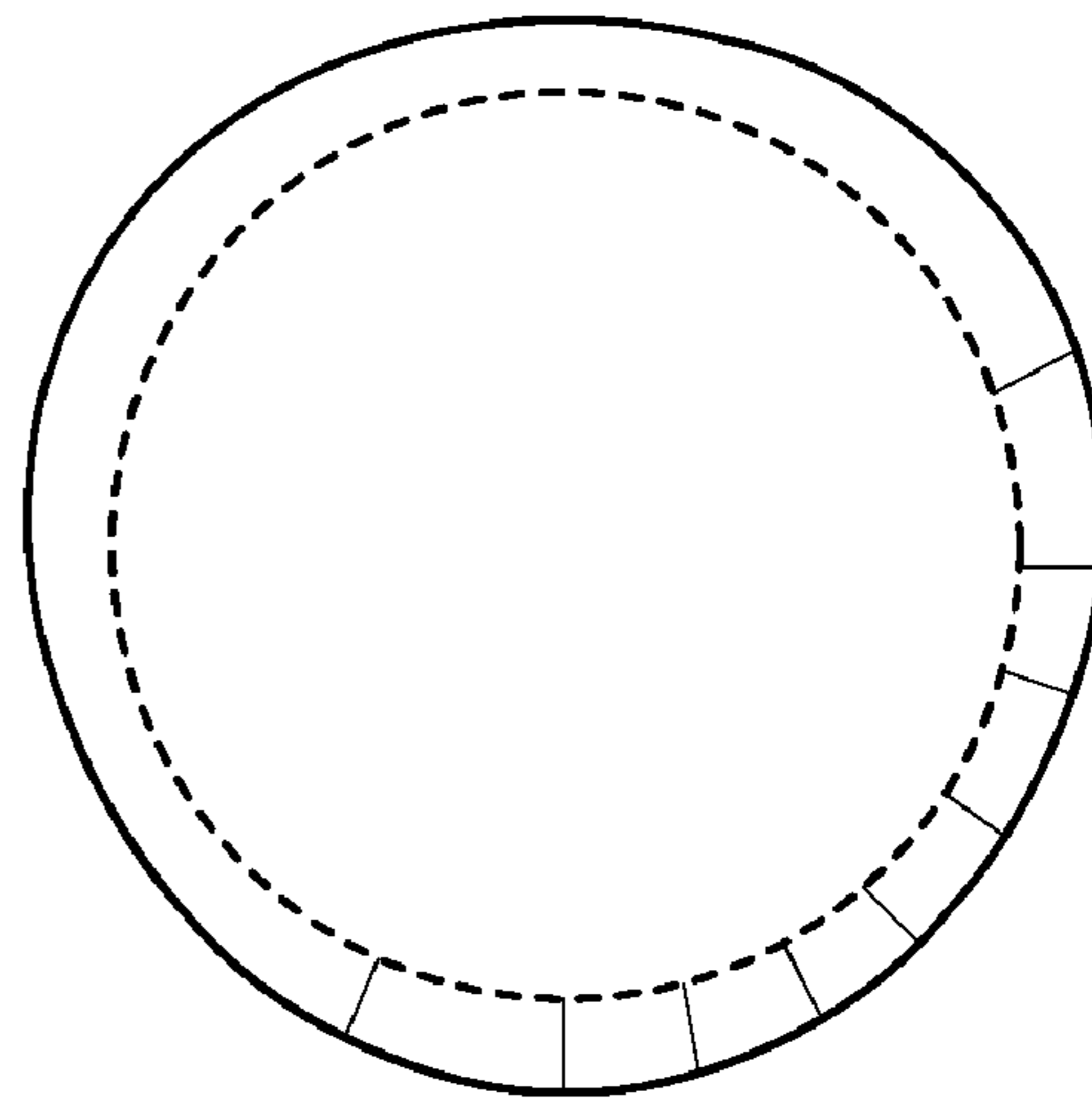


Fig. 7