



US00D612237S

(12) **United States Design Patent**  
**Richey**

(10) **Patent No.:** **US D612,237 S**  
(45) **Date of Patent:** **\*\* Mar. 23, 2010**

(54) **BEVERAGE CUP LID**

2005/0072787 A1\* 4/2005 Morris et al. .... 220/712

(76) Inventor: **David Wayne Richey**, 11141 Briggs Ct.,  
Anchorage, AK (US) 99516

\* cited by examiner

(\*\*) Term: **14 Years**

*Primary Examiner*—Susan Bennett Hattan  
(74) *Attorney, Agent, or Firm*—Seth D. Levy; Davis Wright  
Tremaine LLP

(21) Appl. No.: **29/334,499**

(22) Filed: **Mar. 27, 2009**

(57) **CLAIM**

(51) **LOC (9) Cl.** ..... **09-07**

(52) **U.S. Cl.** ..... **D9/447**

(58) **Field of Classification Search** ..... D9/454,  
D9/449, 447, 443, 438, 435; D7/608, 510,  
D7/396.2, 392.1; 229/906.1; 220/713, 712,  
220/711, 270, 254.1–254.9

See application file for complete search history.

The ornamental design for a beverage cup lid, as shown and  
described.

**DESCRIPTION**

(56) **References Cited**

**U.S. PATENT DOCUMENTS**

2,840,239	A *	6/1958	Wethammer	.....	210/467
2,978,141	A *	4/1961	Jacobs	.....	220/212
D287,919	S *	1/1987	Clements	.....	D7/392.1
D299,010	S *	12/1988	Wall	.....	D9/454
D364,071	S *	11/1995	Lynd	.....	D7/510
D415,651	S *	10/1999	Trombly	.....	D7/392.1
6,394,302	B1 *	5/2002	Query, Jr.	.....	220/707
D485,758	S *	1/2004	Clarke et al.	.....	D9/447
7,275,652	B2 *	10/2007	Morris et al.	.....	220/212
D570,213	S *	6/2008	Newman	.....	D9/447

FIG. 1 is a perspective view of a beverage cup lid of the  
present invention;

FIG. 2 is a front view thereof;

FIG. 3 is a rear view thereof;

FIG. 4 is a right side view thereof;

FIG. 5 is a left side thereof;

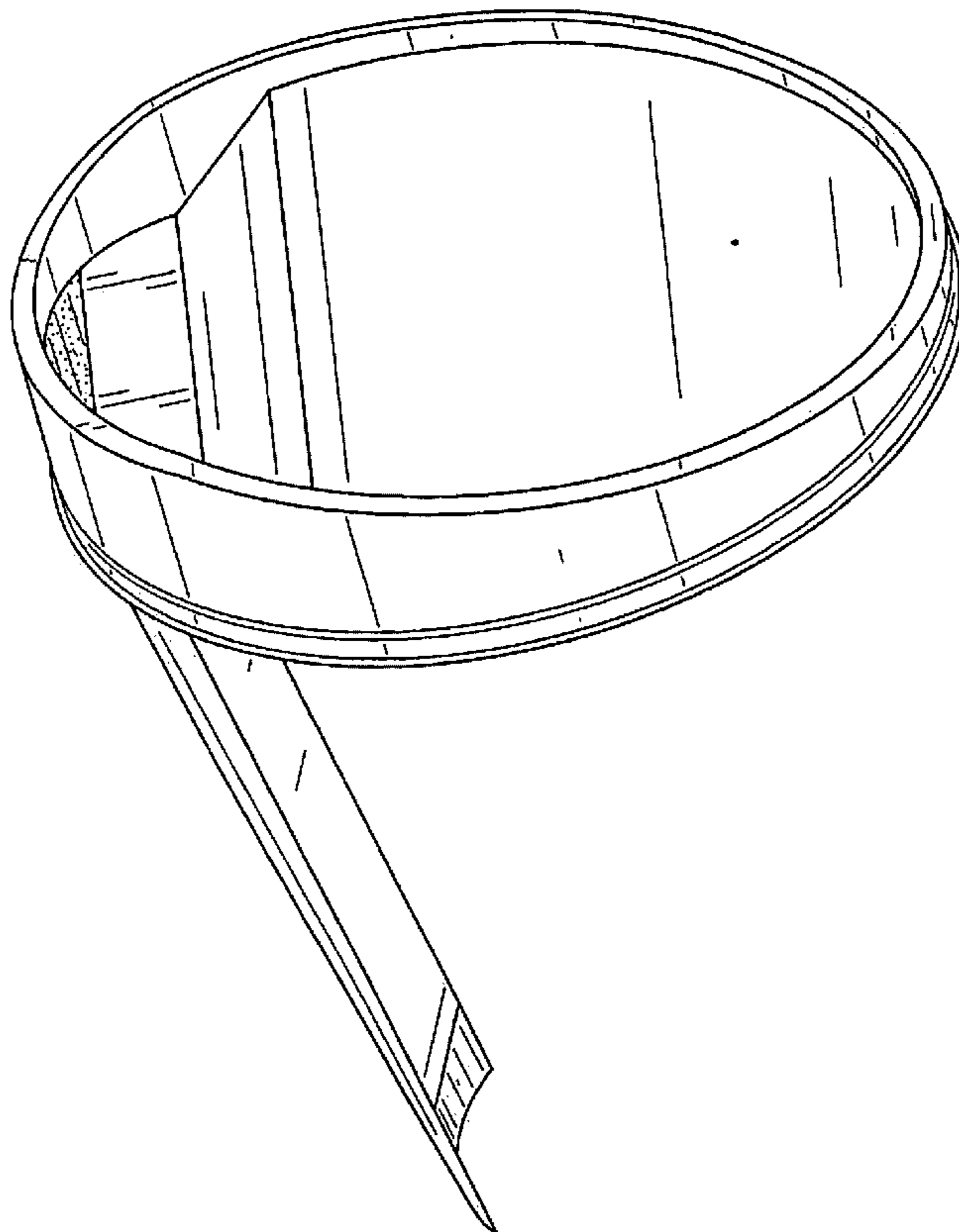
FIG. 6 is a top view thereof;

FIG. 7 is a bottom view thereof; and,

FIG. 8 is a perspective view thereof mated to a beverage cup,  
which is depicted in broken lines.

The broken lines in the drawings depict environmental sub-  
ject matter only and form no part of the claimed design.

**1 Claim, 8 Drawing Sheets**



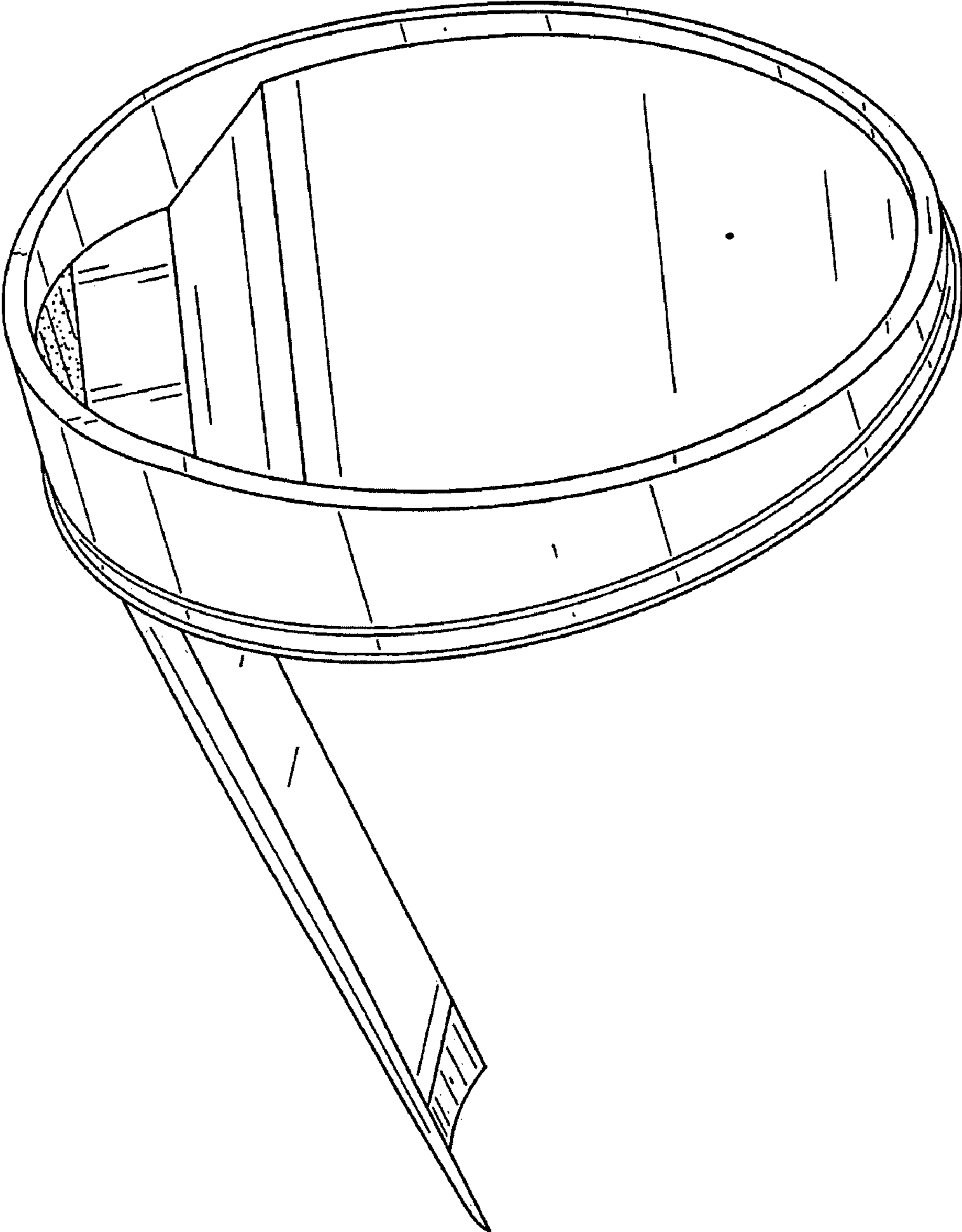


FIG. 1

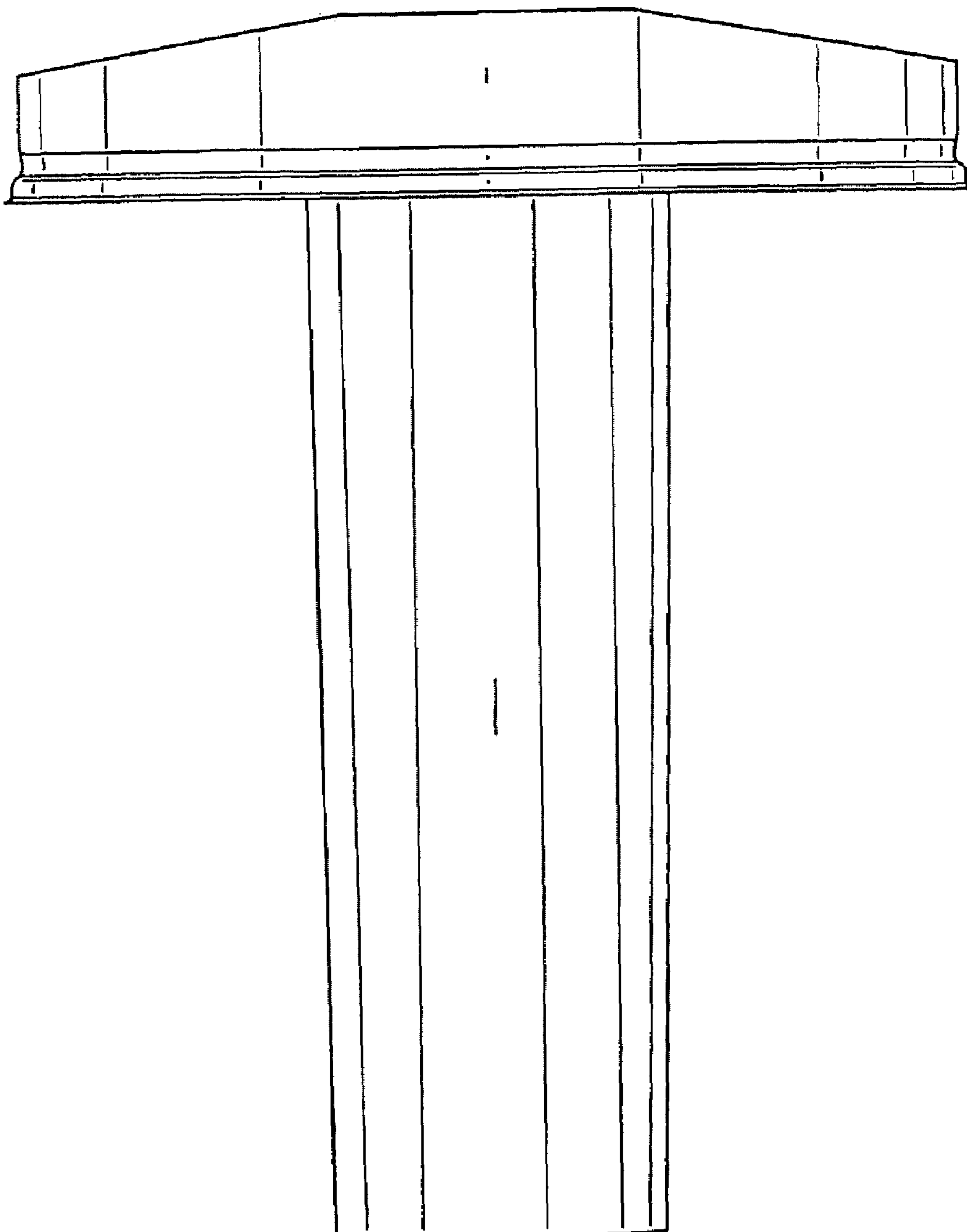


FIG. 2

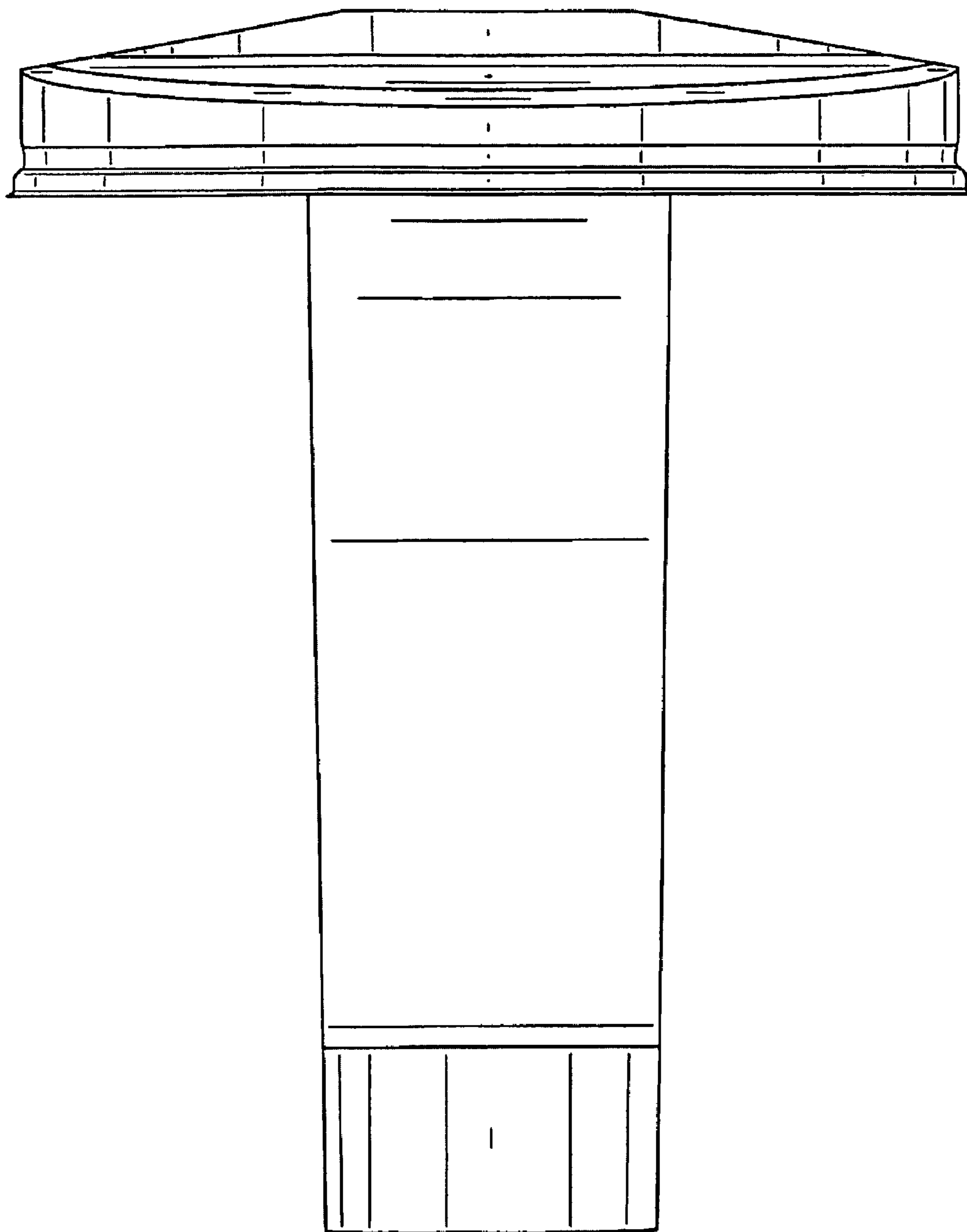


FIG. 3

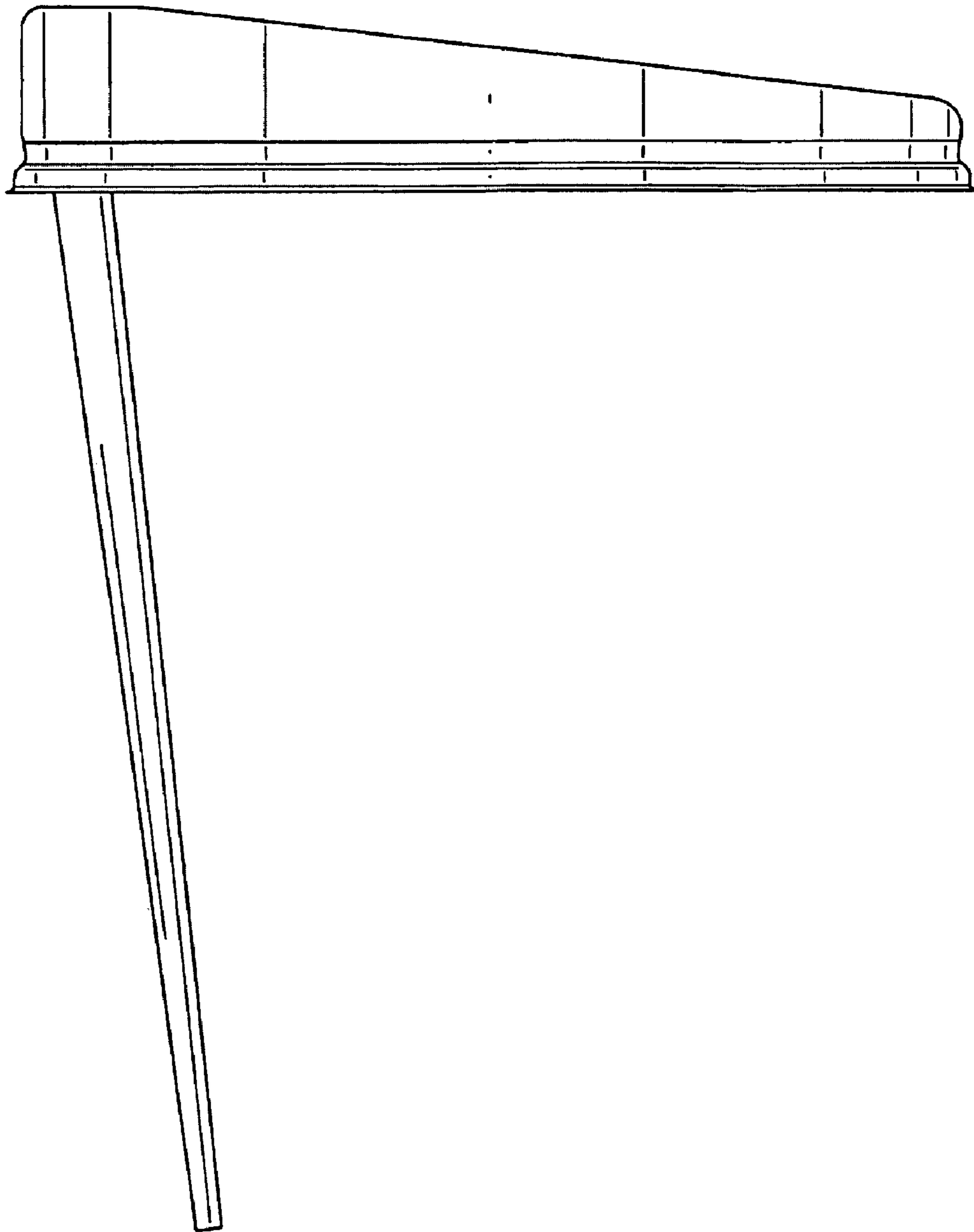


FIG. 4

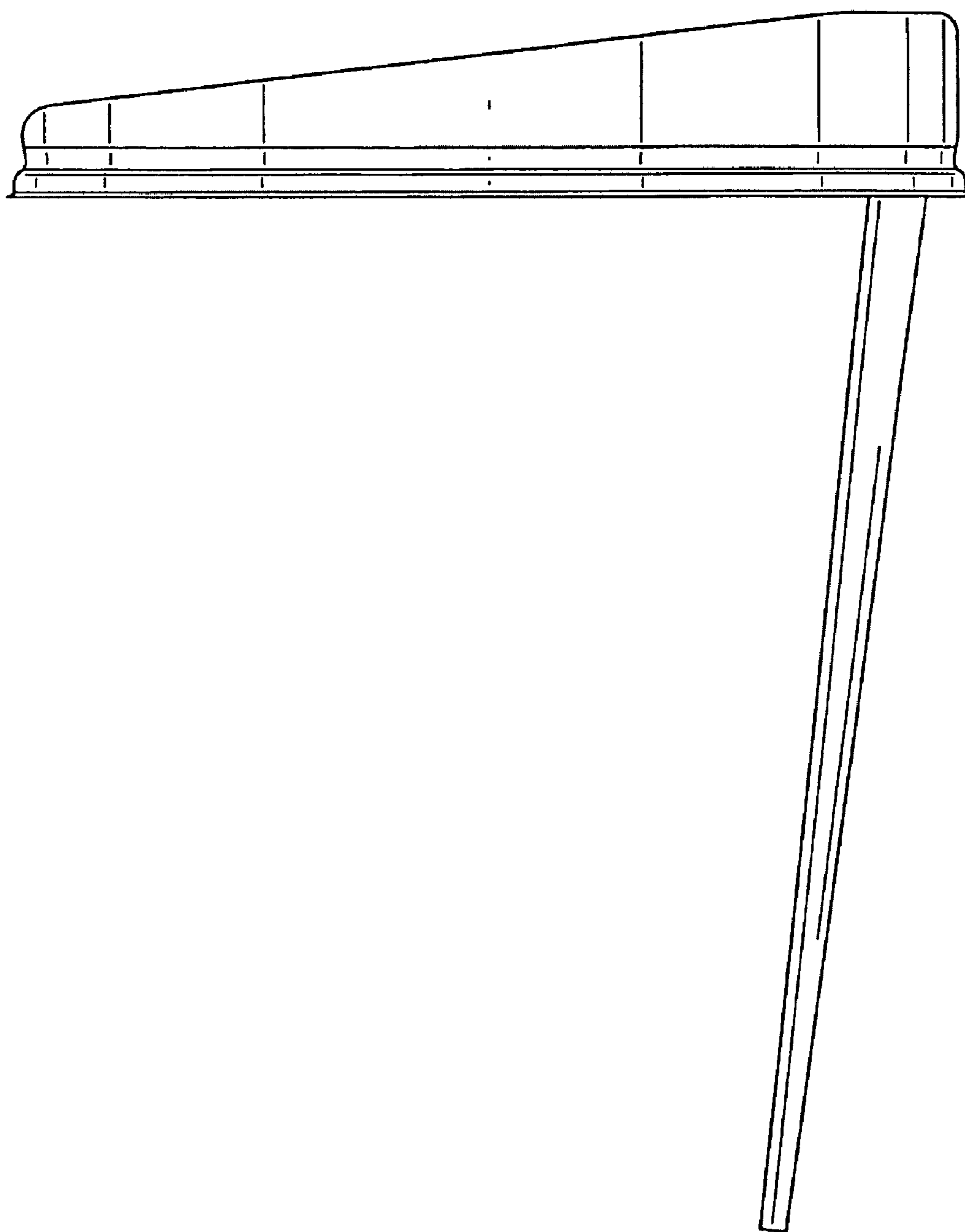


FIG. 5

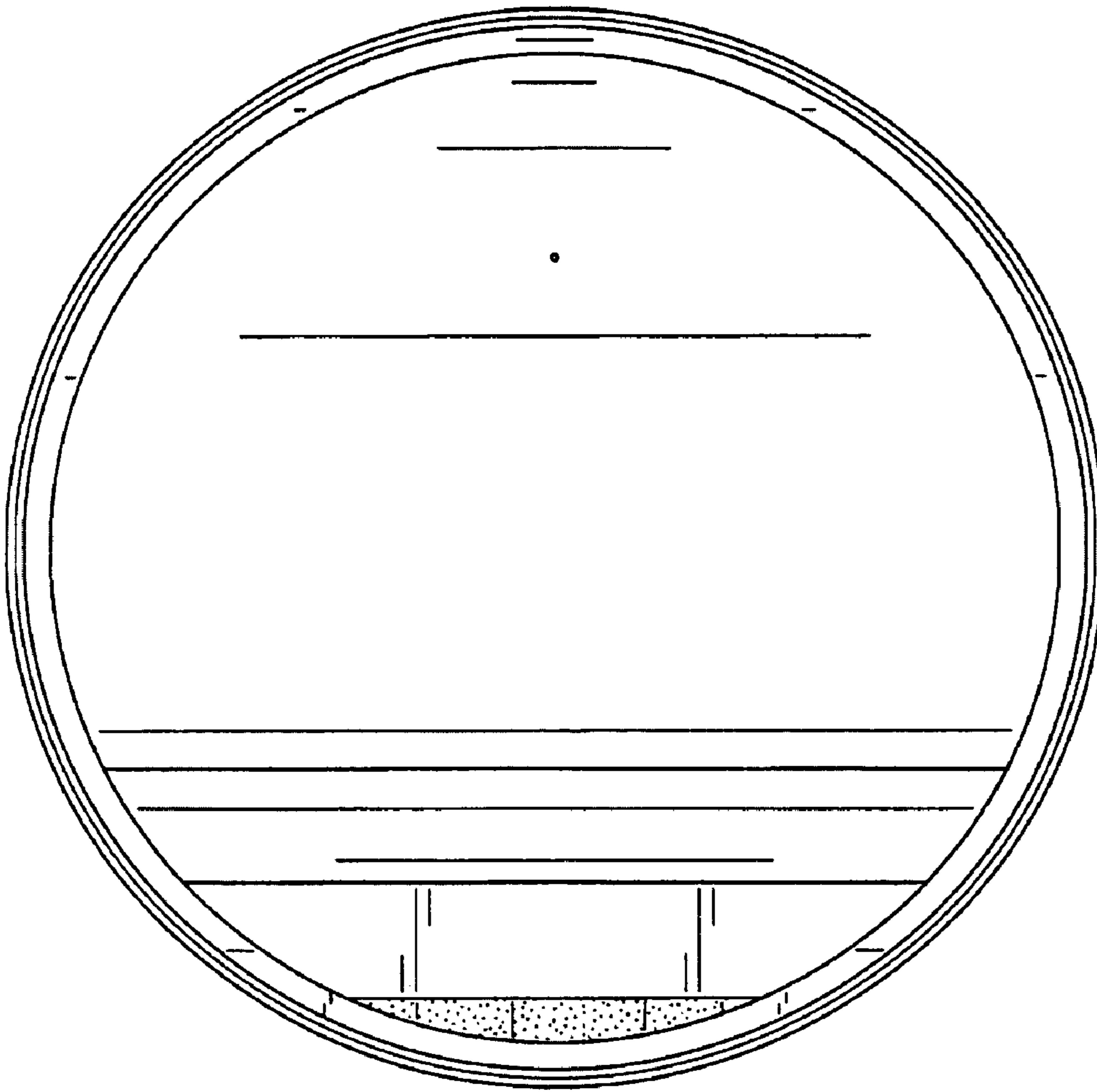


FIG. 6

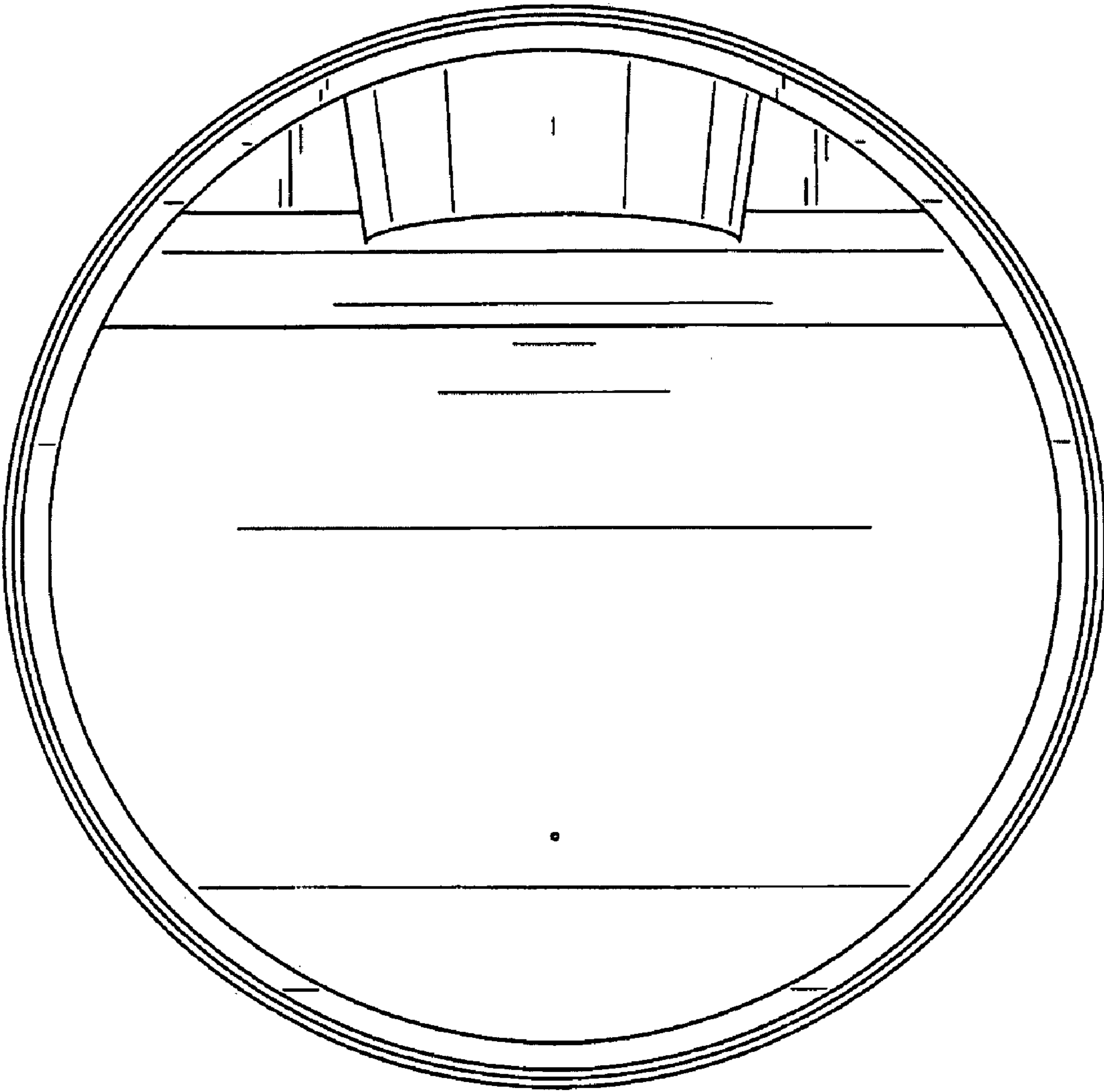


FIG. 7



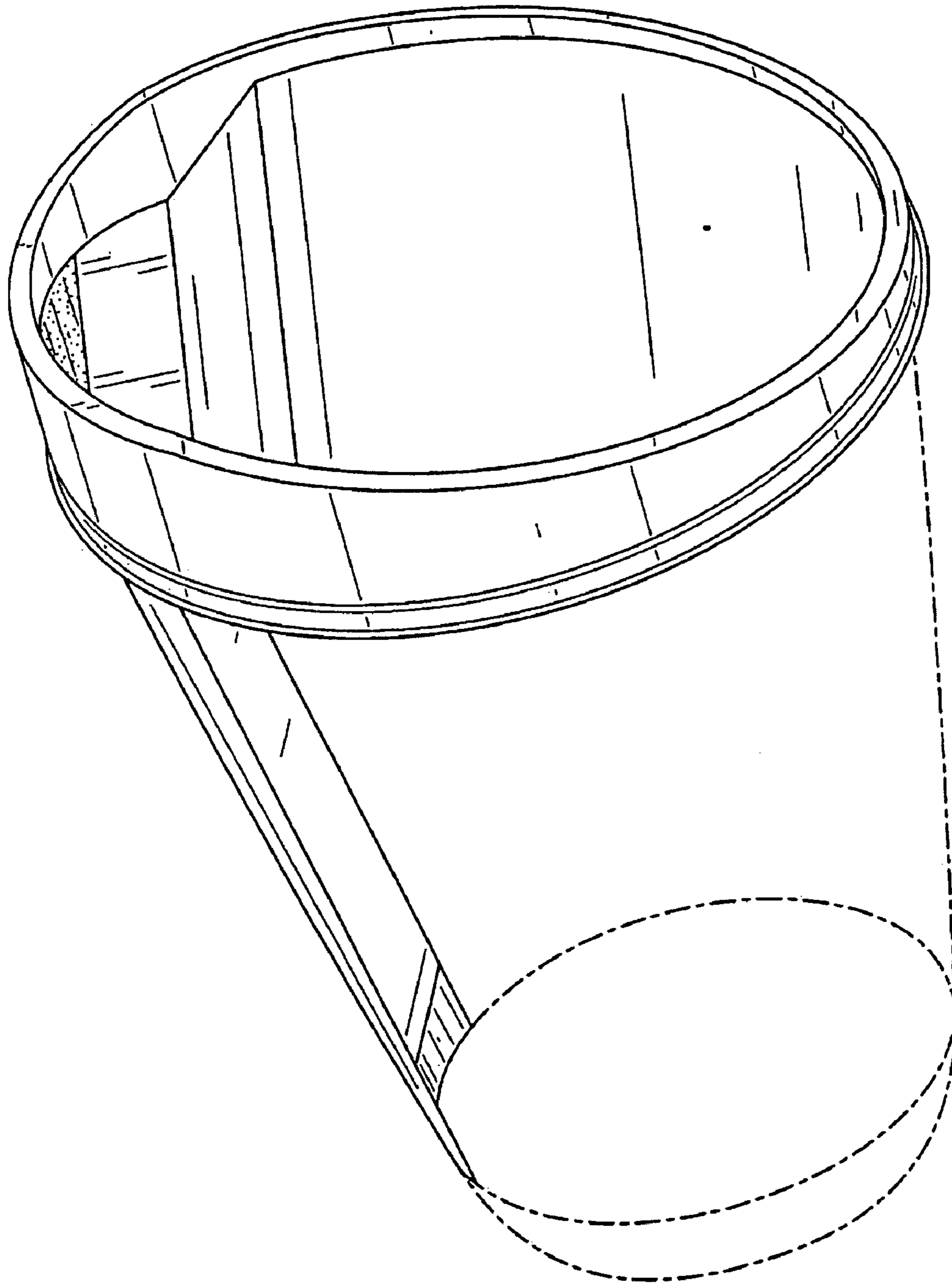


FIG. 8