



US00D612236S

(12) **United States Design Patent**  
**Sturk**

(10) **Patent No.:** **US D612,236 S**  
(45) **Date of Patent:** **\*\* Mar. 23, 2010**

(54) **PAINT CAP CLOSURE WITH FOLDING AND LATCHING EXTERIOR HANDLE**

*Primary Examiner*—Susan Bennett Hattan

(76) **Inventor:** **Ronald Sturk**, 38 Lorne Avenue,  
Brampton, ON (CA) L6X 1L1

(57) **CLAIM**

The ornamental design for the “paint cap closure with folding and latching exterior handle,” as shown and described.

(\*\*) **Term:** **14 Years**

**DESCRIPTION**

(21) **Appl. No.:** **29/338,048**

FIG. 1 is a front perspective view of the paint cap closure with folding and latching exterior handle.

(22) **Filed:** **Jun. 3, 2009**

(51) **LOC (9) Cl.** ..... **09-07**

FIG. 2 is a view of the paint cap closure assembled in a typical pail lid showing a line X—X that does not form part of the design.

(52) **U.S. Cl.** ..... **D9/446; D9/449; D9/443**

(58) **Field of Classification Search** ..... D9/454,  
D9/450, 449, 447, 446, 443, 438, 436, 435,  
D9/434; D7/510, 396.2, 391; 222/565, 556,  
222/109, 498, 153.01–153.14; 221/63; 220/847,  
220/838, 375, 367.1, 258.2, 257.1, 254.1–254.4;  
215/306, 256, 249, 243, 237, 235, 230; 16/257  
See application file for complete search history.

FIG. 3 is a perspective view of the paint cap closure in an alternate configuration with its handle not folded in and not latched.

FIG. 4 is a side view of the paint cap in an alternative configuration with its exterior handle partially folded and not latched.

(56) **References Cited**

**U.S. PATENT DOCUMENTS**

2,764,199	A	*	9/1956	Tupper	.....	220/254.3
D278,413	S	*	4/1985	Woodcock et al.	.....	D9/446
D364,810	S	*	12/1995	Meisner	.....	D9/446
D404,646	S	*	1/1999	Black et al.	.....	D9/446
D464,262	S	*	10/2002	Drennow	.....	D9/446
D469,353	S	*	1/2003	Sturk	.....	D9/443
D471,453	S	*	3/2003	Stodd	.....	D9/434
D475,925	S	*	6/2003	Sturk	.....	D9/454

FIG. 5 is a side view of the paint cap closure assembled in a typical pail lid with partial cross-sectional view along the line 5—5 previously illustrated in FIG. 2, wherein its exterior handle is folded in and its pull ring is engaged with its interior latch.

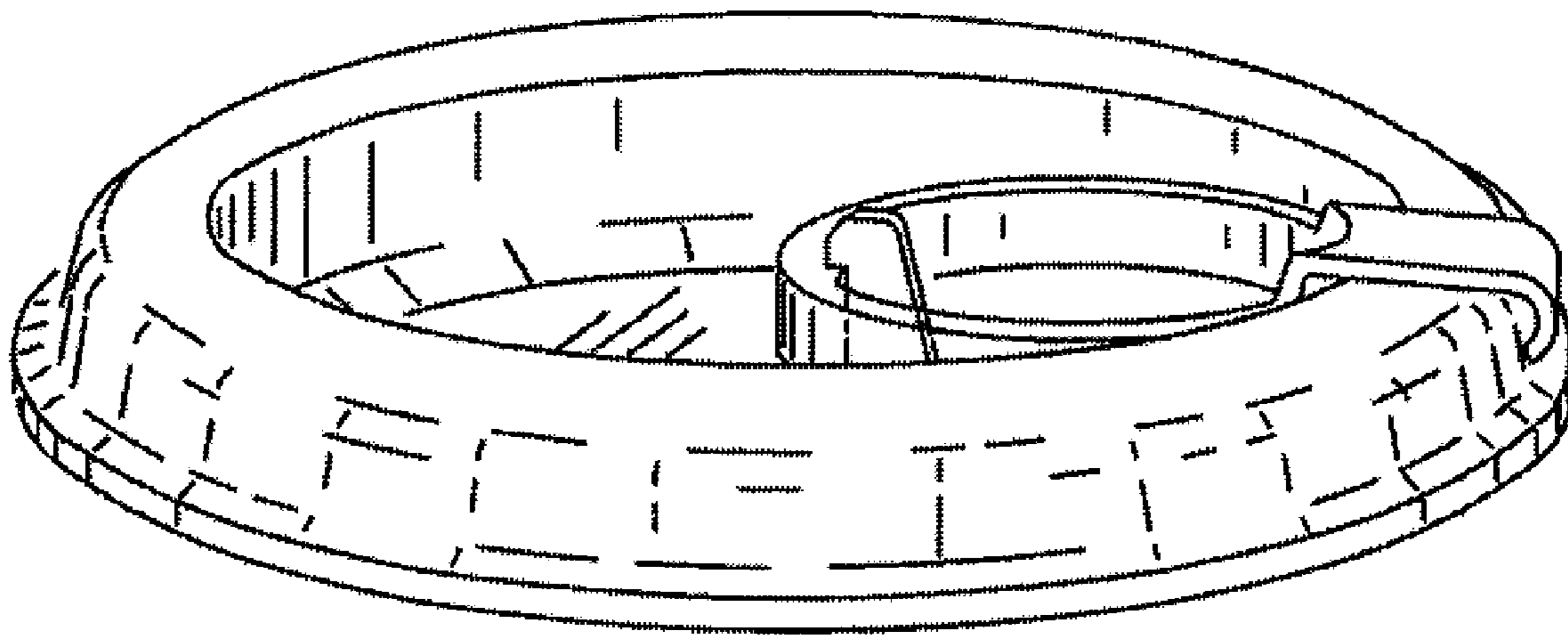
FIG. 6 is a top view of the paint cap closure; and,

FIG. 7 is a bottom view of the paint cap closure.

The broken lines in the drawings depict environmental subject matter only and form no part of the claimed design.

\* cited by examiner

**1 Claim, 3 Drawing Sheets**



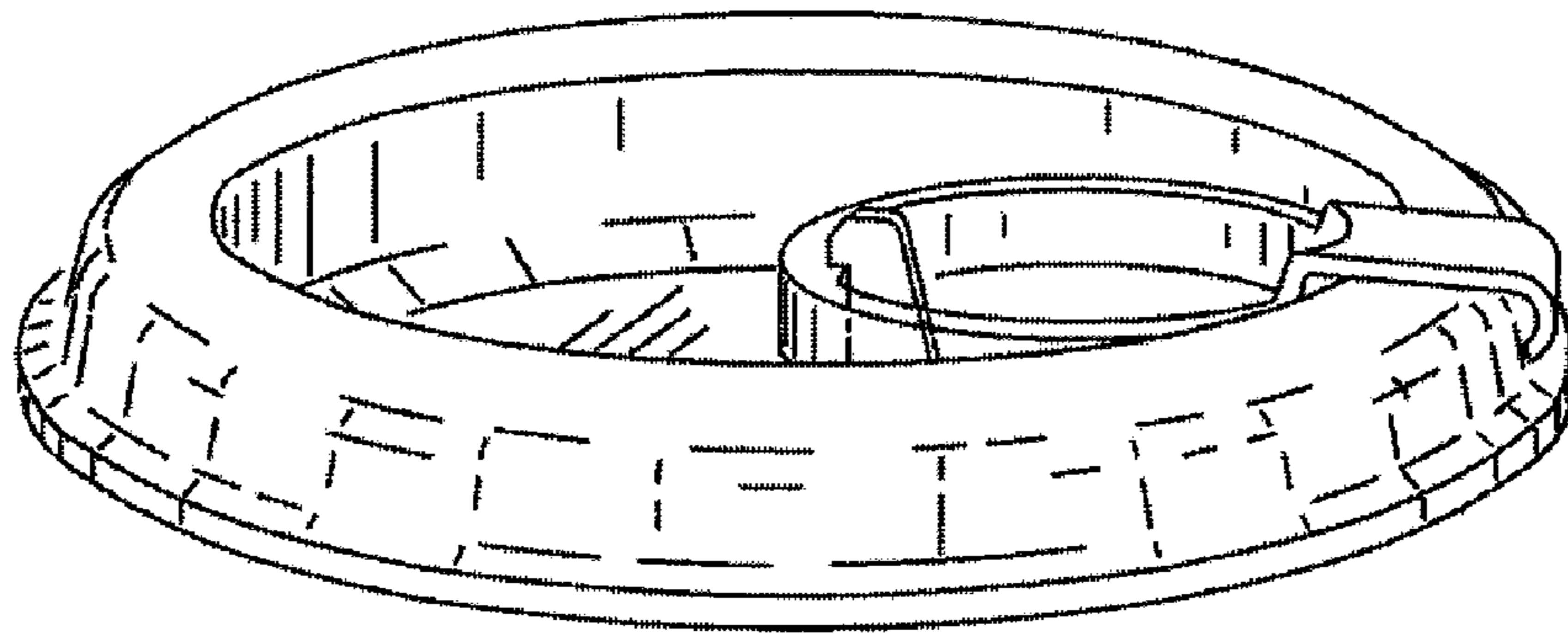


FIGURE 1

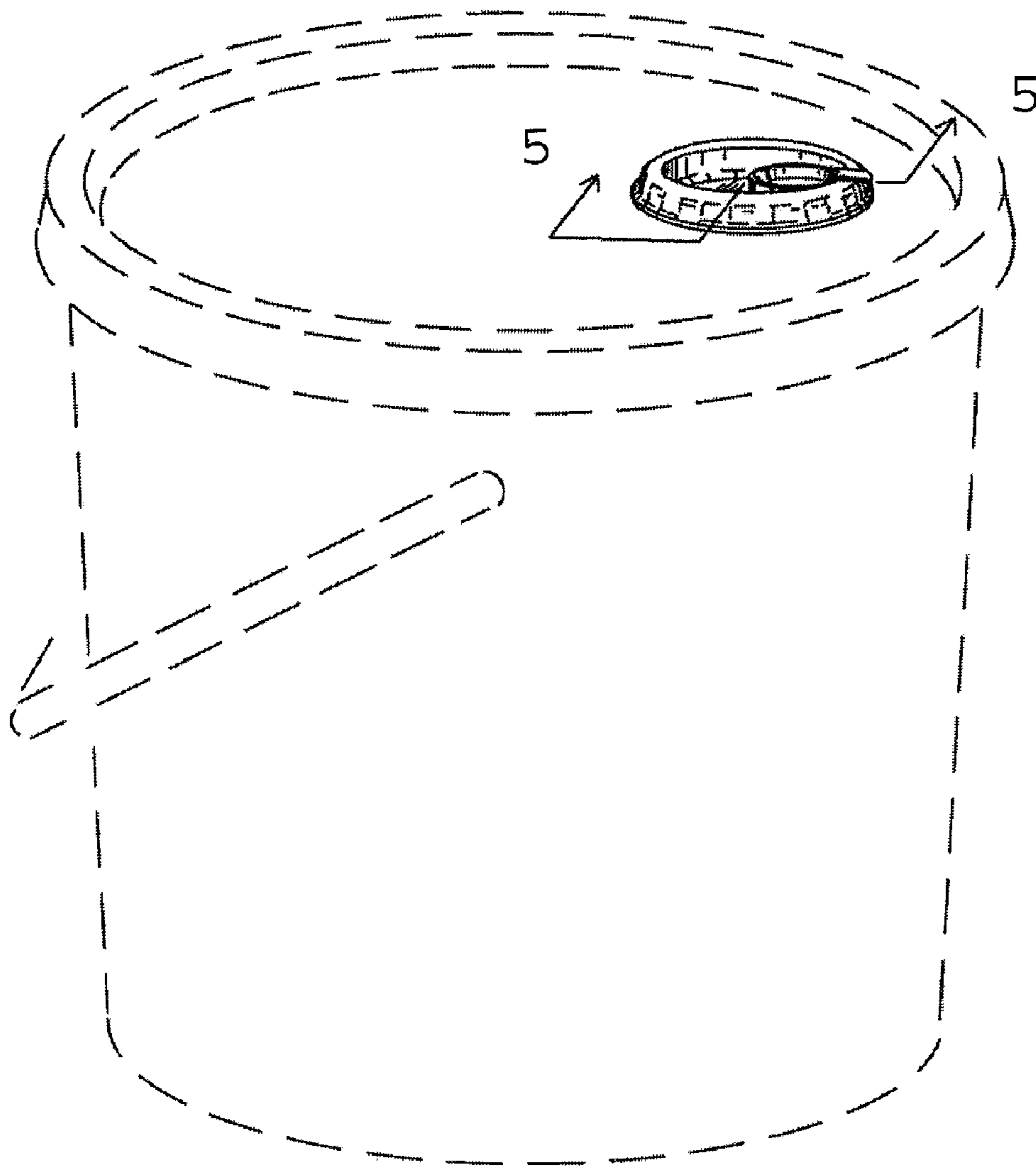


FIGURE 2

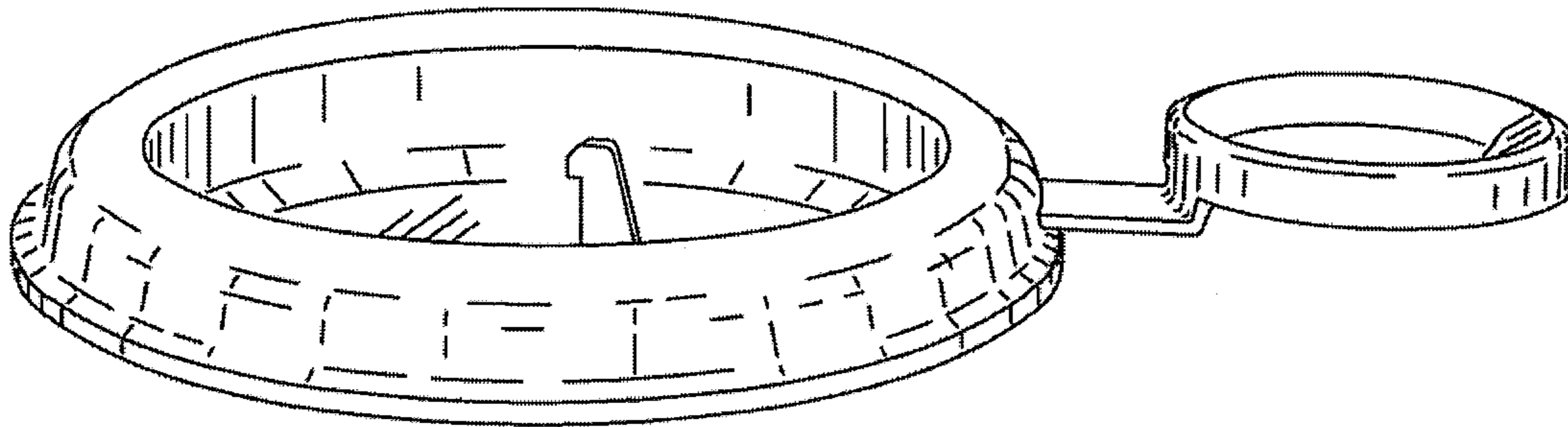


FIGURE 3

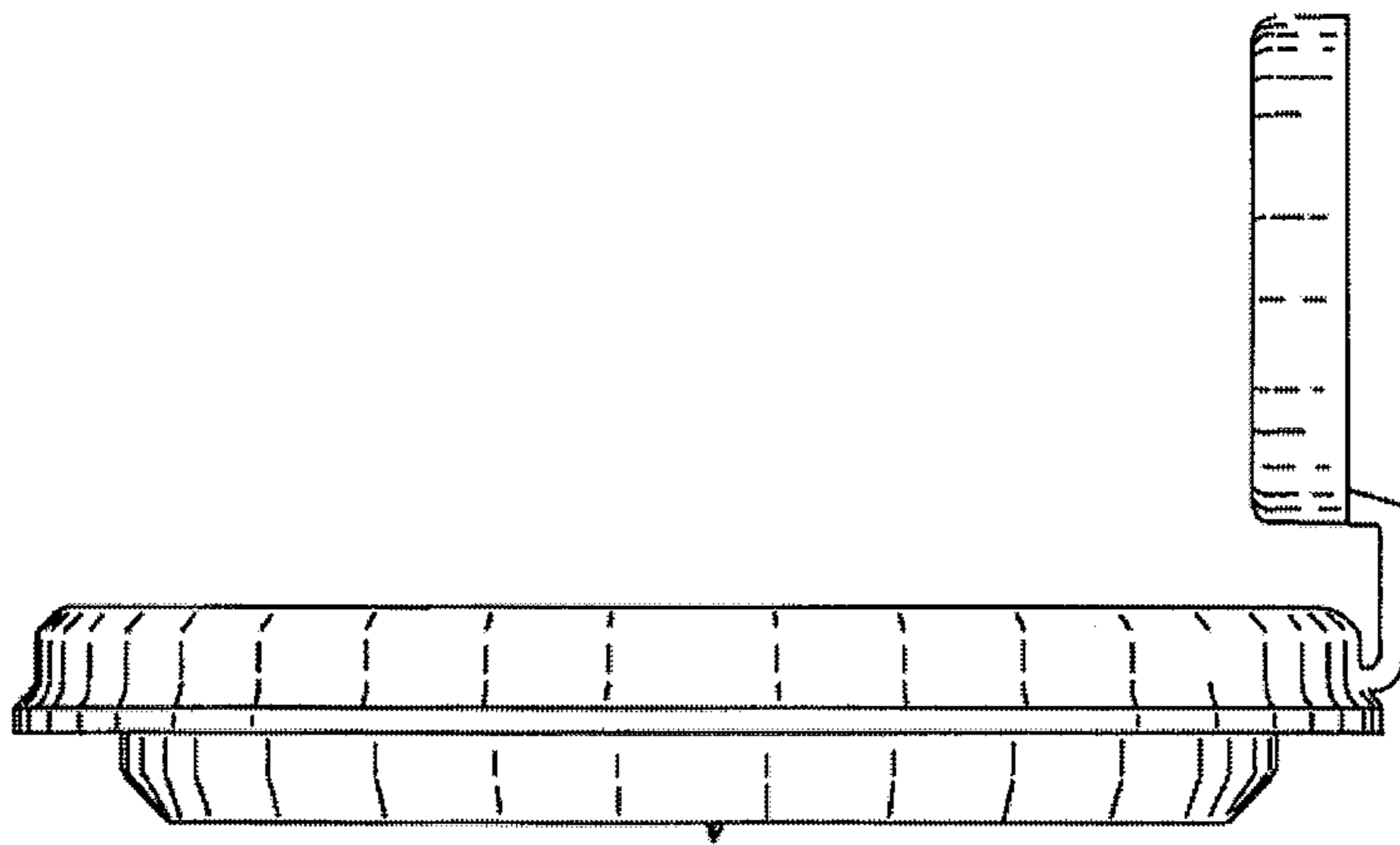


FIGURE 4

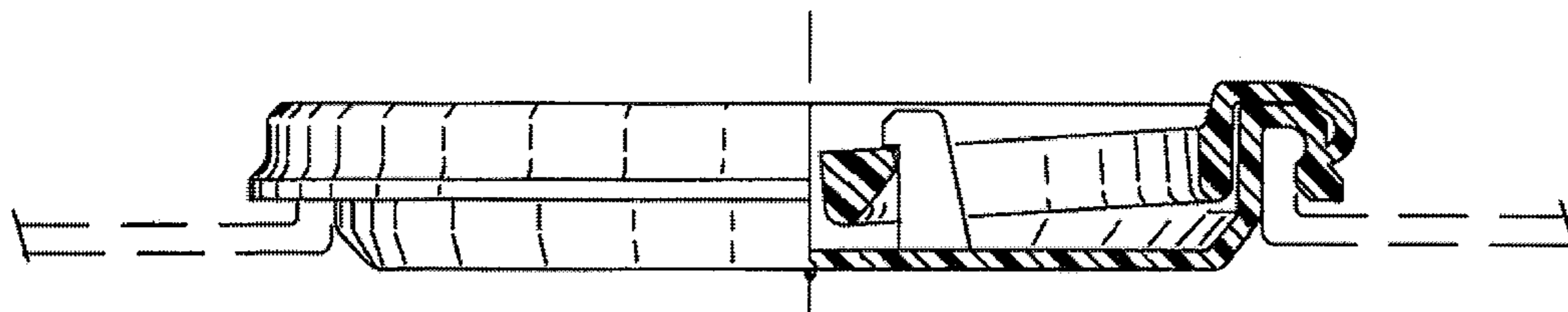


FIGURE 5

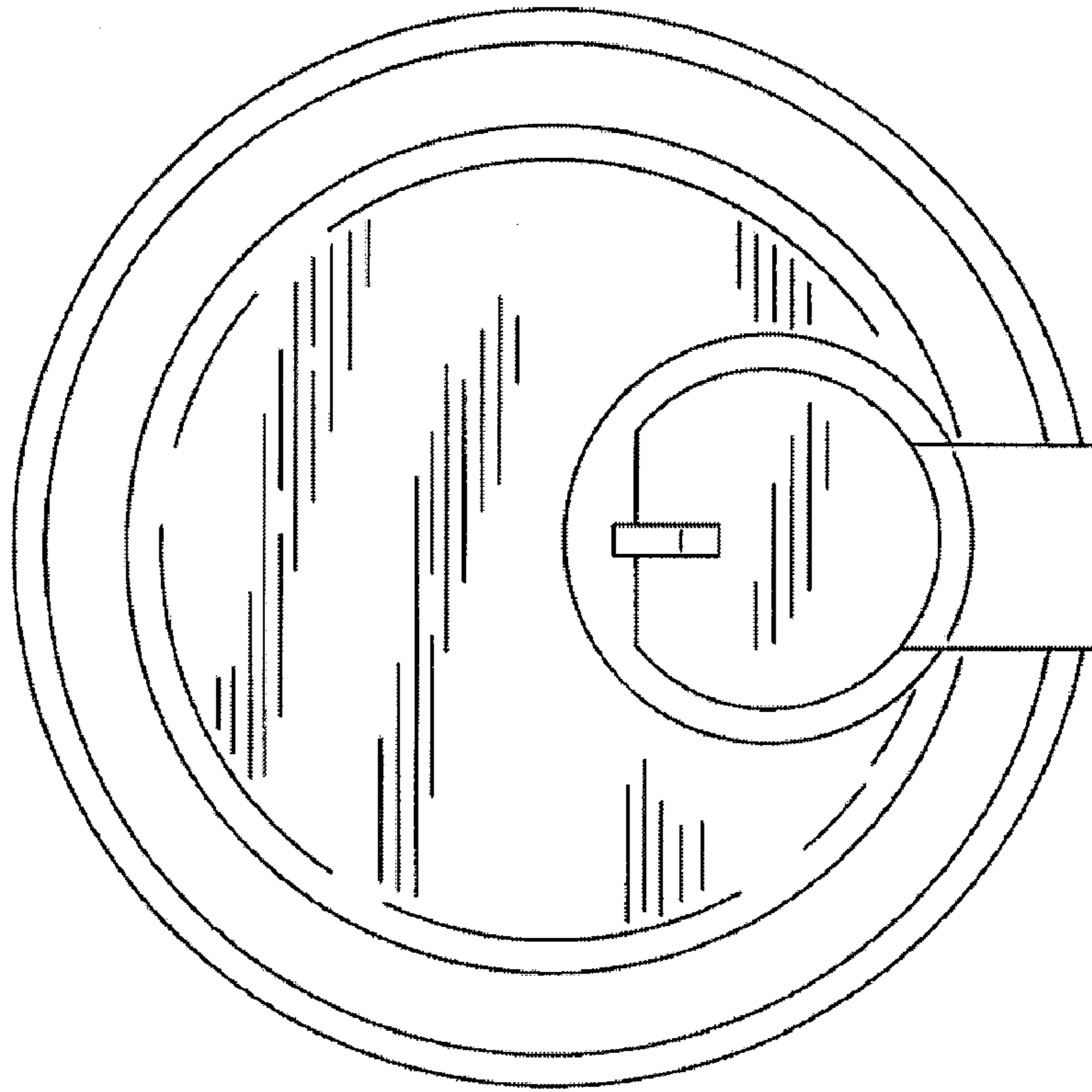


FIGURE 6

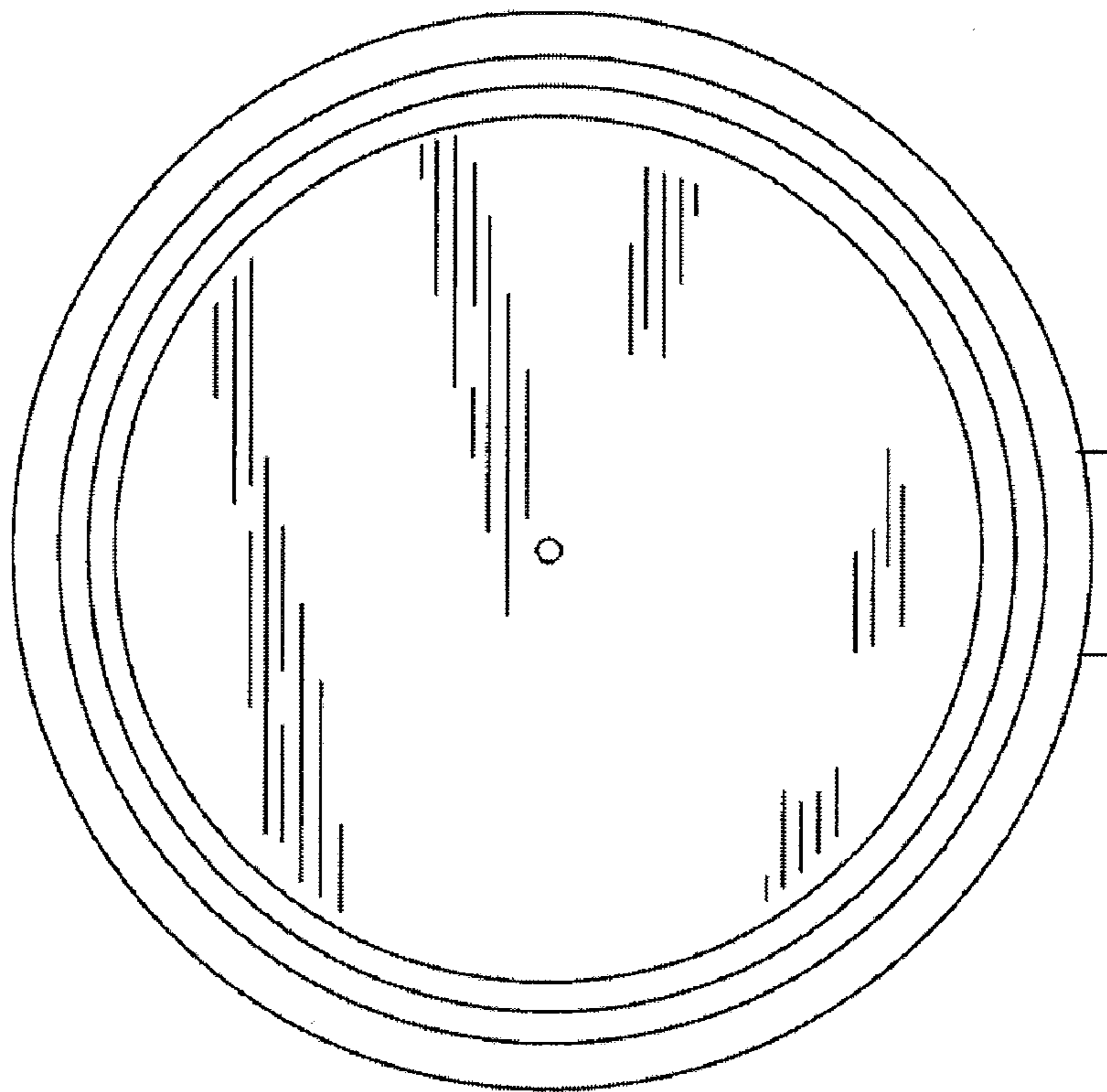


FIGURE 7