



US00D612235S

(12) **United States Design Patent**  
**Cresswell et al.**

(10) **Patent No.:** **US D612,235 S**  
(45) **Date of Patent:** **\*\* Mar. 23, 2010**

(54) **D RING LOOP CAP FOR STAINLESS STEEL BOTTLE**

(76) Inventors: **Jeff Cresswell**, 4345 Hedstrom Way, Chico, CA (US) 95927; **Donald G Carlson**, 183 Sycamore Valley Rd, Chico, CA (US) 95973; **Chris Kalberer**, 4345 Hedstrom Way, Chico, CA (US) 95927

(\*\*) Term: **14 Years**

(21) Appl. No.: **29/343,054**

(22) Filed: **Sep. 4, 2009**

(51) **LOC (9) Cl.** ..... **09-07**

(52) **U.S. Cl.** ..... **D9/443; D9/454**

(58) **Field of Classification Search** ..... D9/907,  
D9/697, 696, 695, 530, 454, 453, 445, 444,  
D9/443, 442, 439, 438, 436, 435, 434, 415;  
D7/536, 535, 533, 511, 396.2, 391; D3/326,  
D3/318, 302, 294; 222/568, 567, 566, 376,  
222/288, 214, 212.5; 215/356, 329, 305,  
215/228, 11.1

See application file for complete search history.

(56) **References Cited**

**U.S. PATENT DOCUMENTS**

235,280 A \* 12/1880 Norton ..... 220/212.5  
D141,518 S \* 6/1945 Porthouse ..... D9/439  
D197,315 S \* 1/1964 Kahliff ..... D9/434

3,401,827 A \* 9/1968 Messina ..... 220/212.5  
D332,379 S \* 1/1993 Murphy ..... D7/391  
D385,152 S \* 10/1997 Rae ..... D7/391  
D458,134 S \* 6/2002 Berish et al. .... D9/443  
D486,306 S \* 2/2004 Wolf ..... D3/294  
D554,865 S \* 11/2007 Roesler ..... D3/302  
D572,585 S \* 7/2008 Perrin et al. .... D9/443  
D584,566 S \* 1/2009 Fuller ..... D7/396.2

\* cited by examiner

*Primary Examiner*—Susan Bennett Hattan  
(74) *Attorney, Agent, or Firm*—Alleman Hall McCoy Russell & Tuttle LLP

(57) **CLAIM**

The ornamental design for a D ring loop cap for stainless steel bottle, as shown.

**DESCRIPTION**

FIG. 1 is a front elevational view of the D ring loop cap for stainless steel bottle;

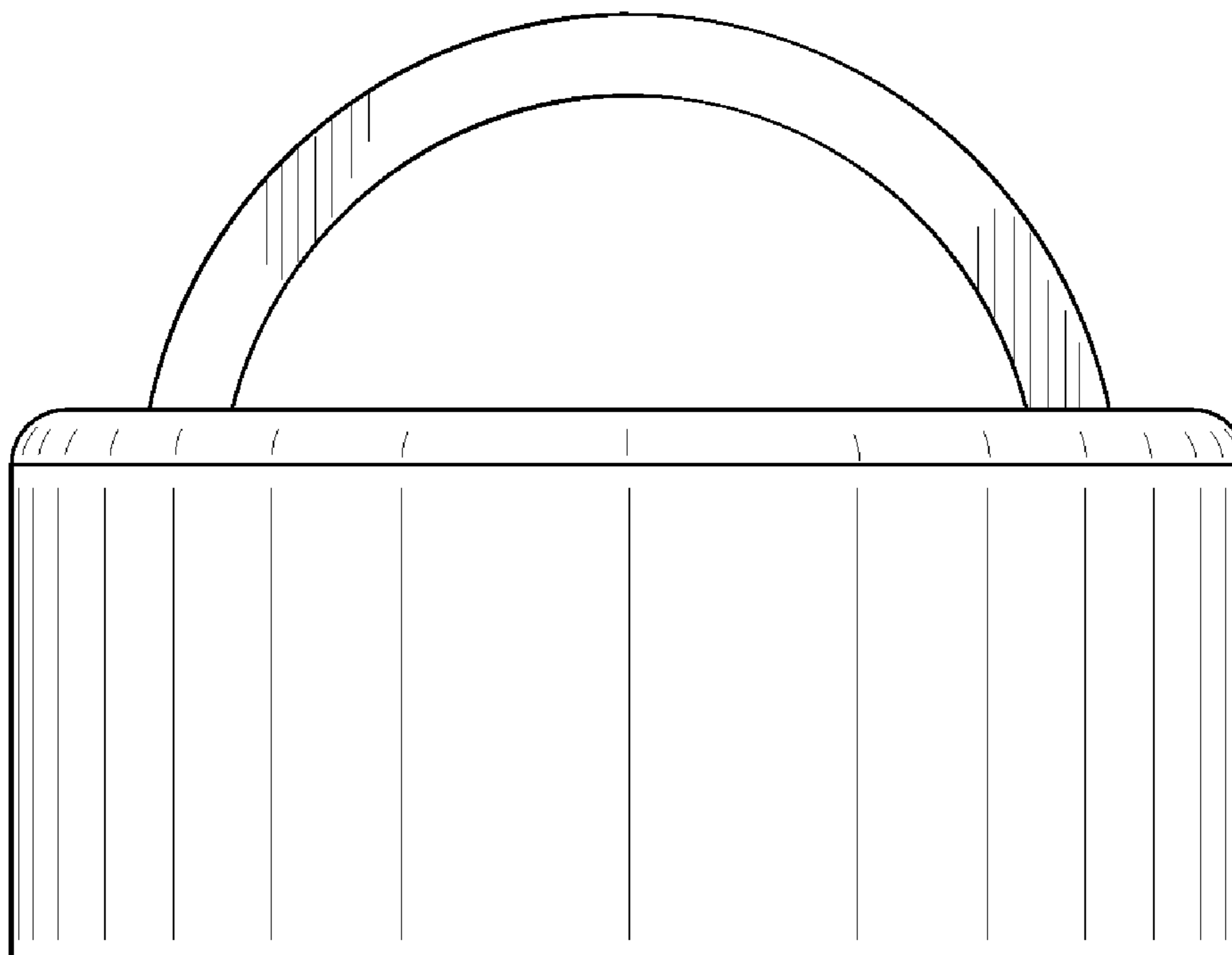
FIG. 2 is a bottom plan view of the D ring loop cap for stainless steel bottle;

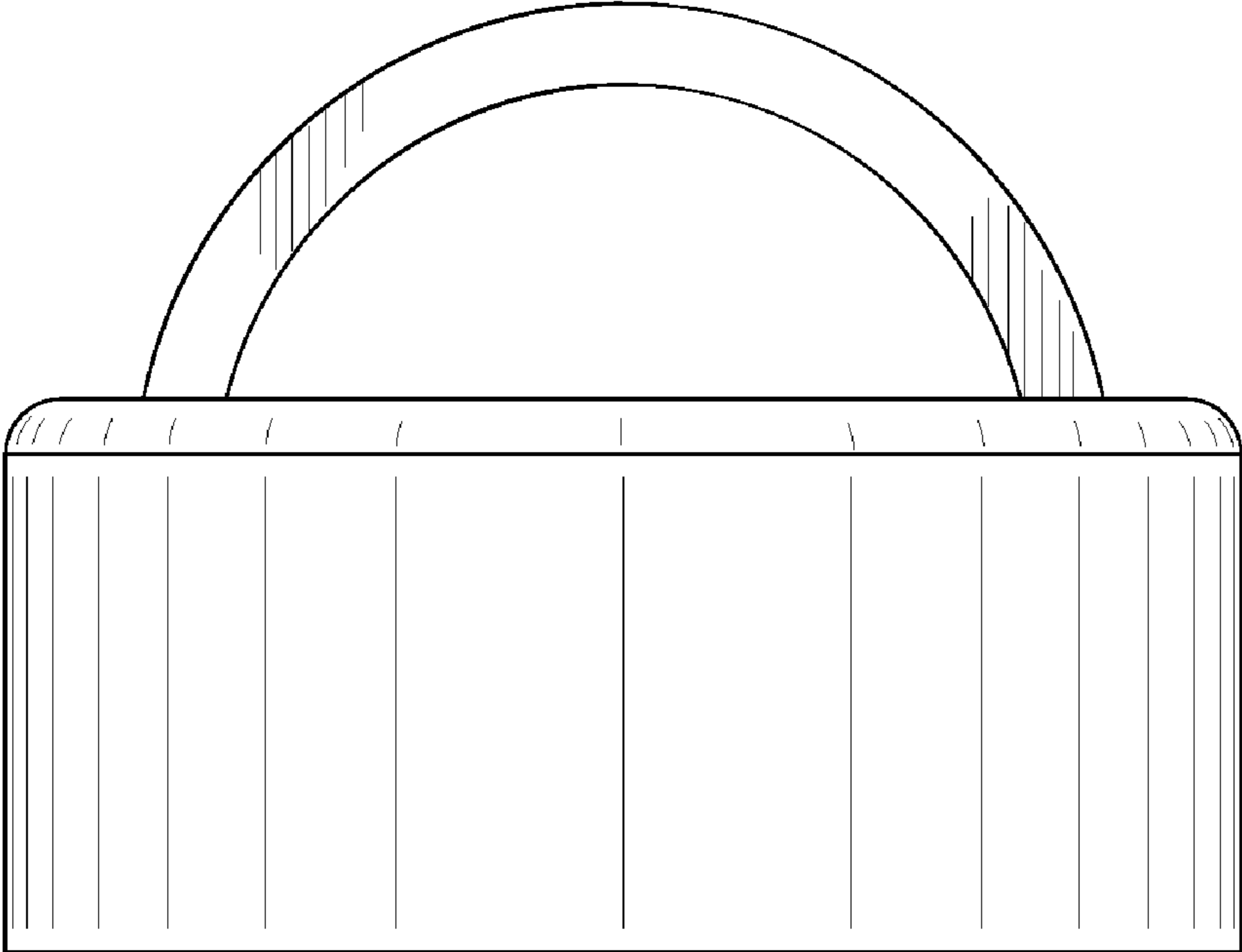
FIG. 3 is a top plan view of the D ring loop cap for stainless steel bottle;

FIG. 4 is a side elevational view of the D ring loop cap for stainless steel bottle; and,

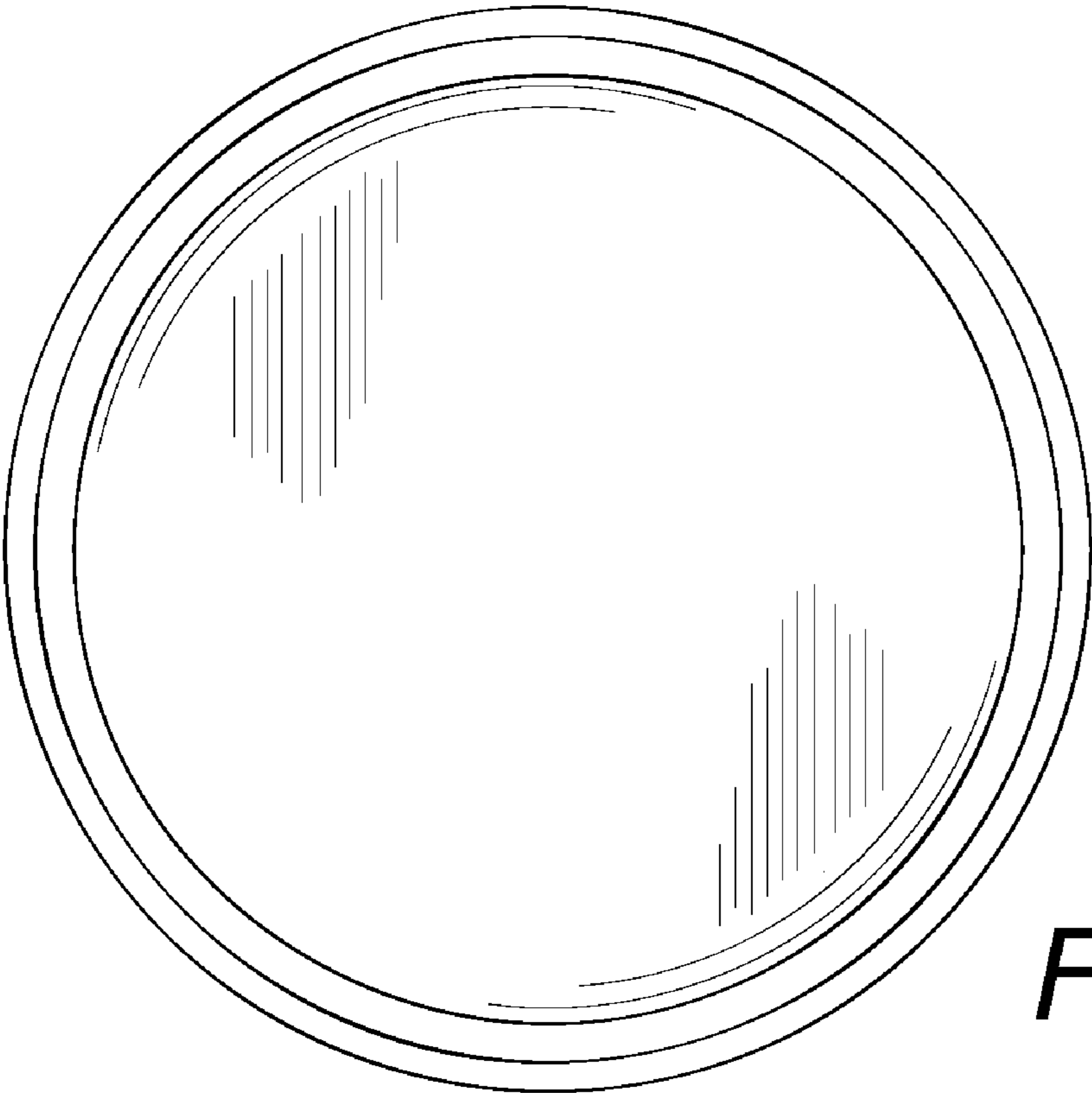
FIG. 5 is a perspective view of the D ring loop cap for stainless steel bottle.

**1 Claim, 3 Drawing Sheets**

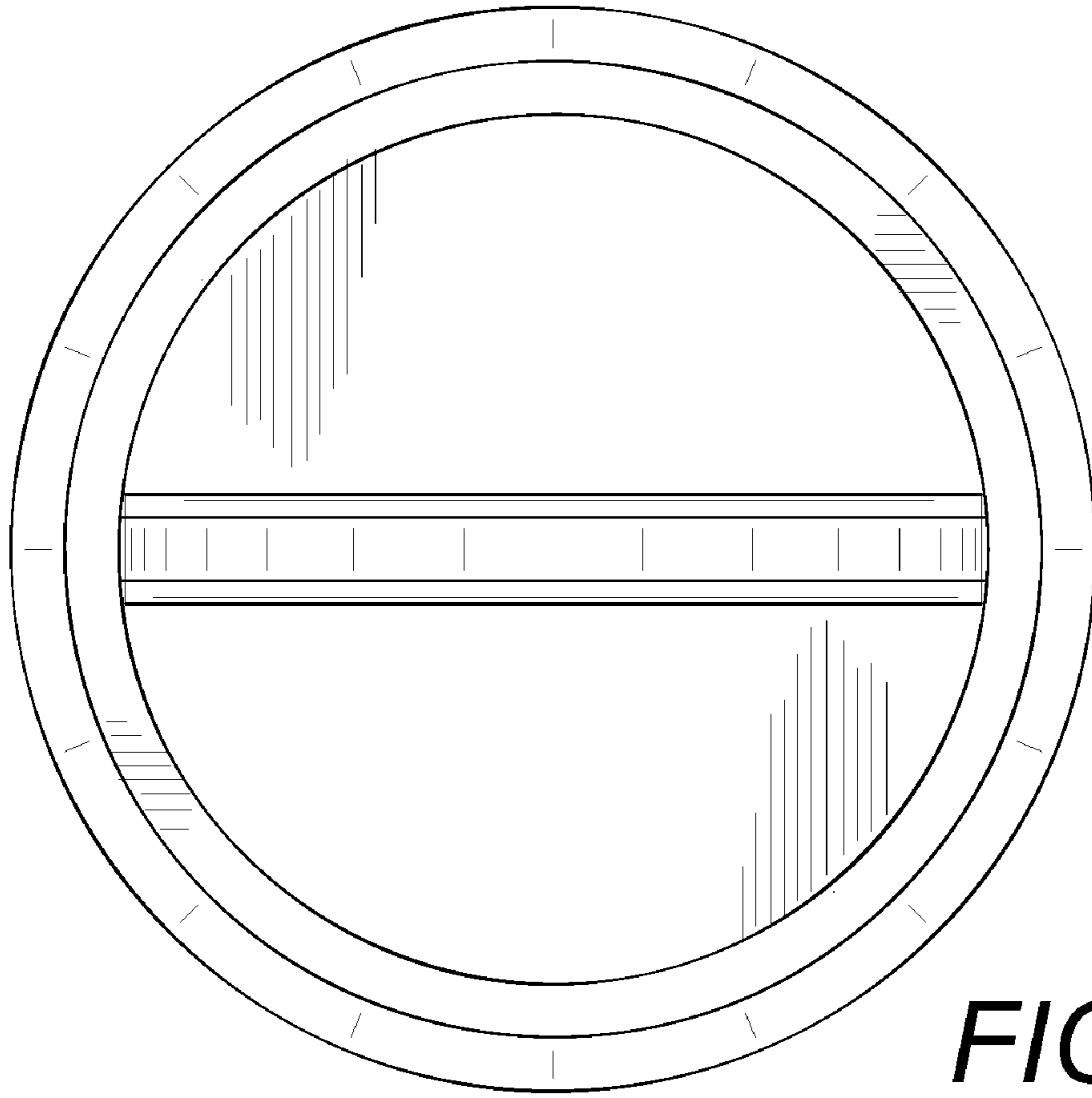




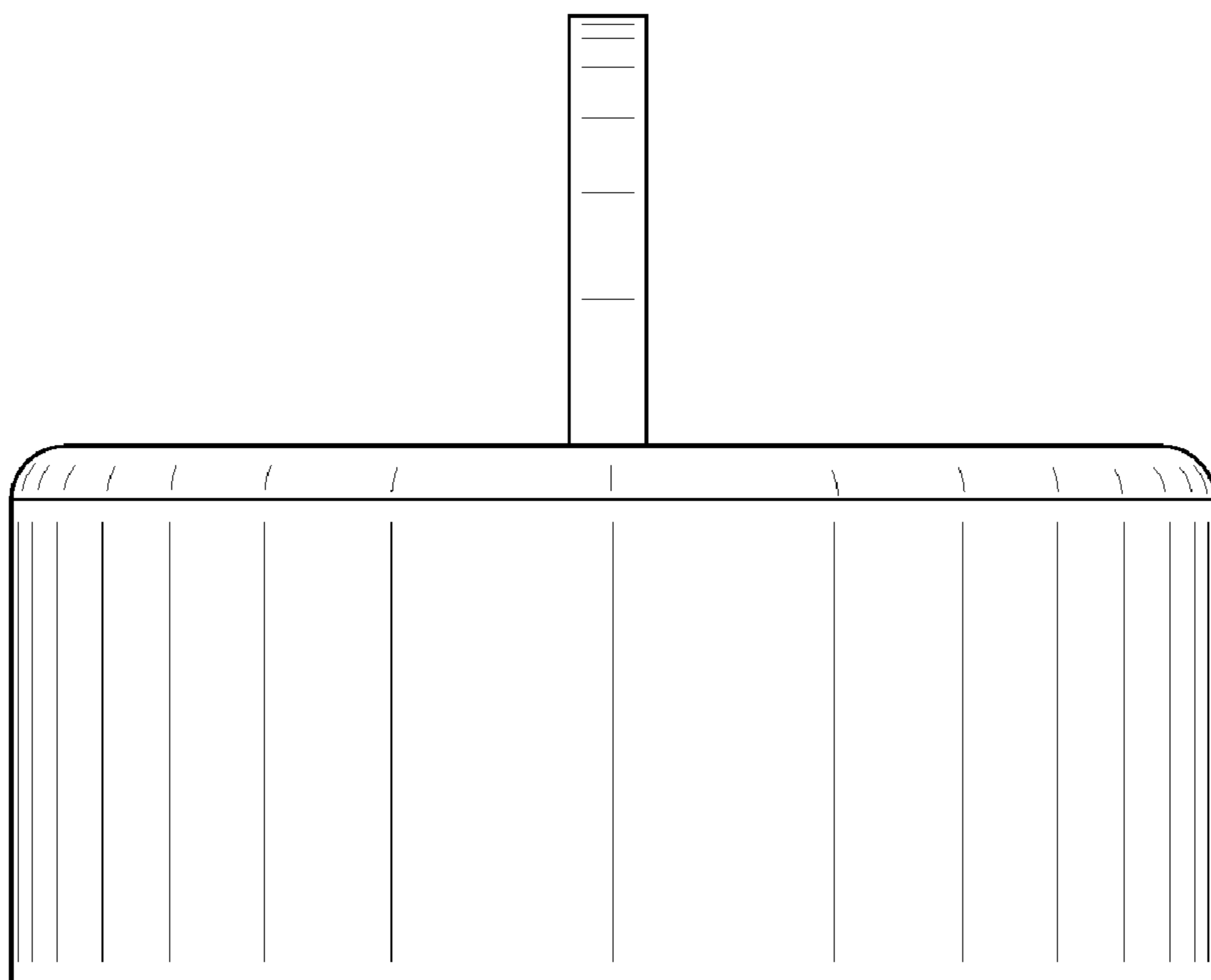
**FIG. 1**



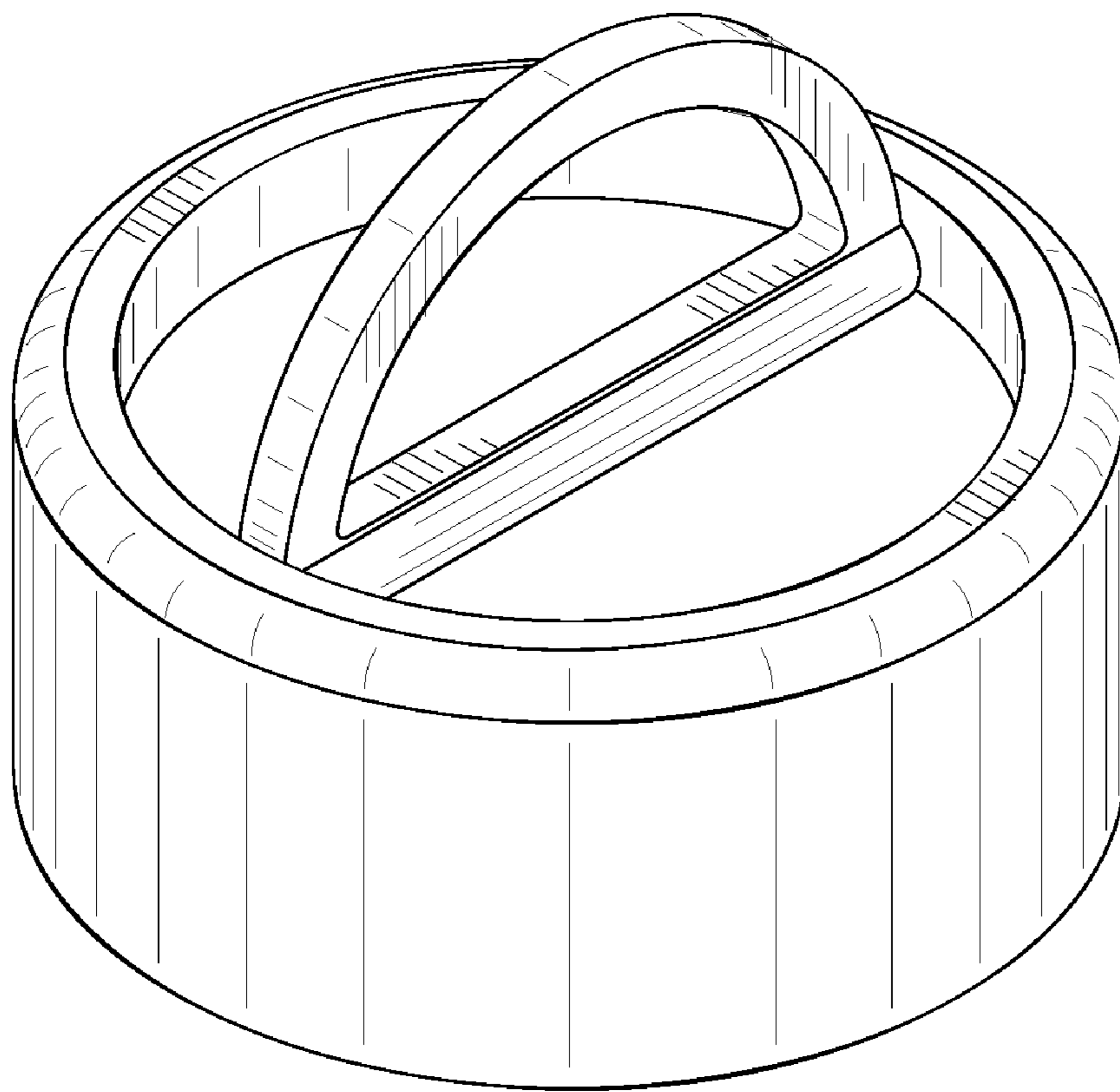
**FIG. 2**



**FIG. 3**



**FIG. 4**



**FIG. 5**