



US00D612233S

(12) **United States Design Patent**
Westemeyer

(10) **Patent No.:** **US D612,233 S**
(45) **Date of Patent:** **** Mar. 23, 2010**

(54) **CARTON LID**

(75) Inventor: **Jennifer Lea Westemeyer**, Neenah, WI
(US)

(73) Assignee: **Kimberly-Clark Worldwide, Inc.**,
Neenah, WI (US)

(**) Term: **14 Years**

(21) Appl. No.: **29/340,974**

(22) Filed: **Jul. 29, 2009**

(51) **LOC (9) Cl.** **09-07**

(52) **U.S. Cl.** **D9/434; D9/435; D9/432**

(58) **Field of Classification Search** D9/624,
D9/457, 456, 447, 446, 435, 434, 433, 432,
D9/425, 424, 418, 415, 414; D7/392, 392.1;
D3/201; D20/28, 22; 229/313, 225, 222,
229/212, 209, 208, 149; 206/728

See application file for complete search history.

(56) **References Cited**

U.S. PATENT DOCUMENTS

- D16,253 S * 9/1885 Meyer D9/414
- D36,435 S * 7/1903 Daggett D9/414
- D36,436 S * 7/1903 Daggett D9/414
- D191,143 S * 8/1961 Nabraski D9/415
- D219,805 S * 2/1971 Coureges D9/414

- D334,885 S * 4/1993 Eastin D9/414
- D418,409 S * 1/2000 Hampshire D9/424
- D426,322 S * 6/2000 Anderson et al. D25/164
- D455,954 S * 4/2002 Dittmar D9/415
- D477,086 S * 7/2003 Tsuruda et al. D24/189
- D503,893 S * 4/2005 Kohring D9/736
- D548,590 S * 8/2007 Forthaus et al. D9/432

* cited by examiner

Primary Examiner—Susan Bennett Hattan

(74) *Attorney, Agent, or Firm*—David J. Arteman

(57) **CLAIM**

I claim the ornamental design for a carton lid, as shown and described.

DESCRIPTION

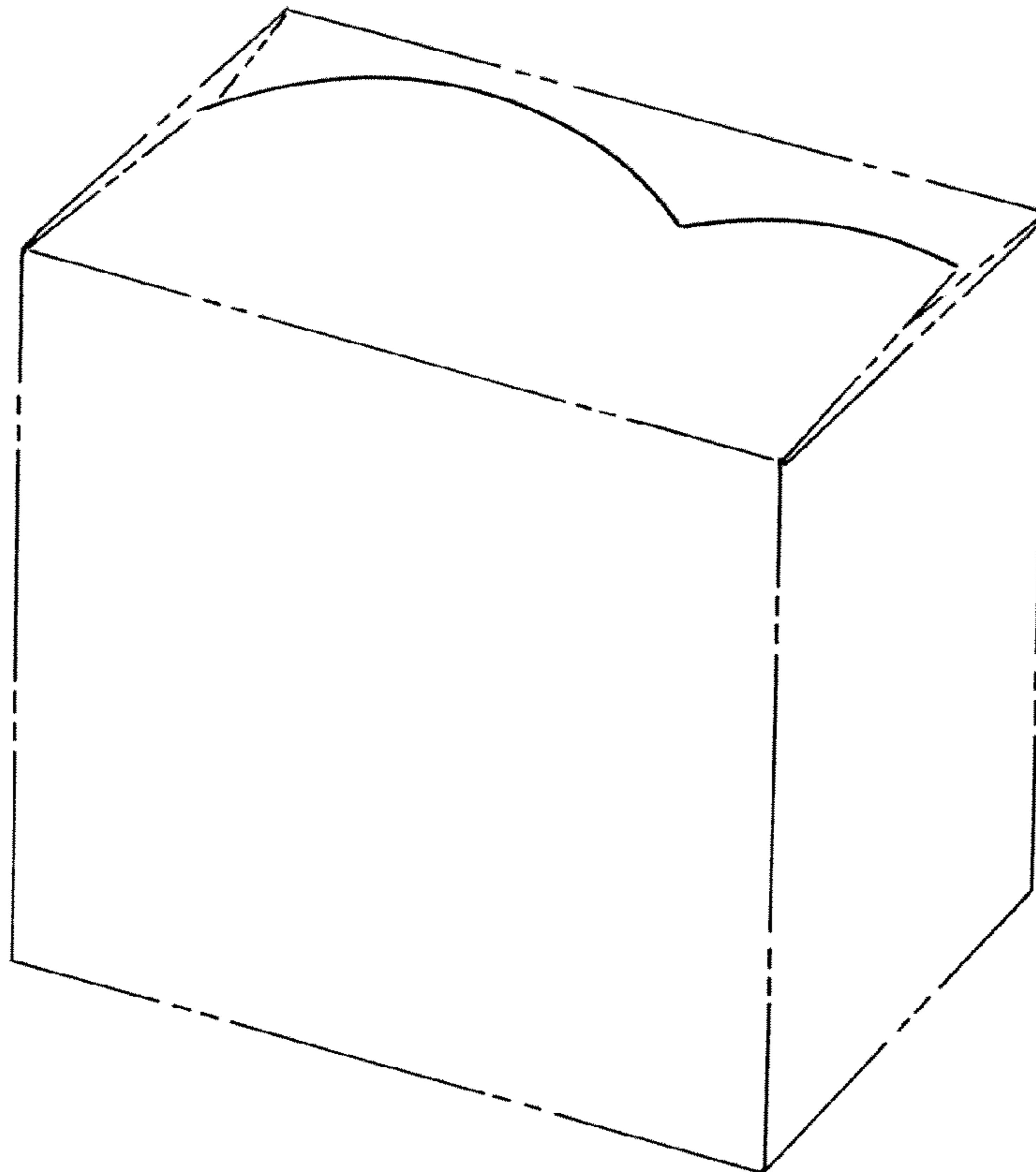
FIG. 1 is a perspective view of a carton lid, according to the present invention; and,

FIG. 2 is a top plan view of a carton lid, according to the present invention.

The broken lines shown in the drawings are for illustrative purposes only and form no part of the claimed design.

The surfaces or portions not shown in the drawings or described in the specification form no part of the claimed design.

1 Claim, 2 Drawing Sheets



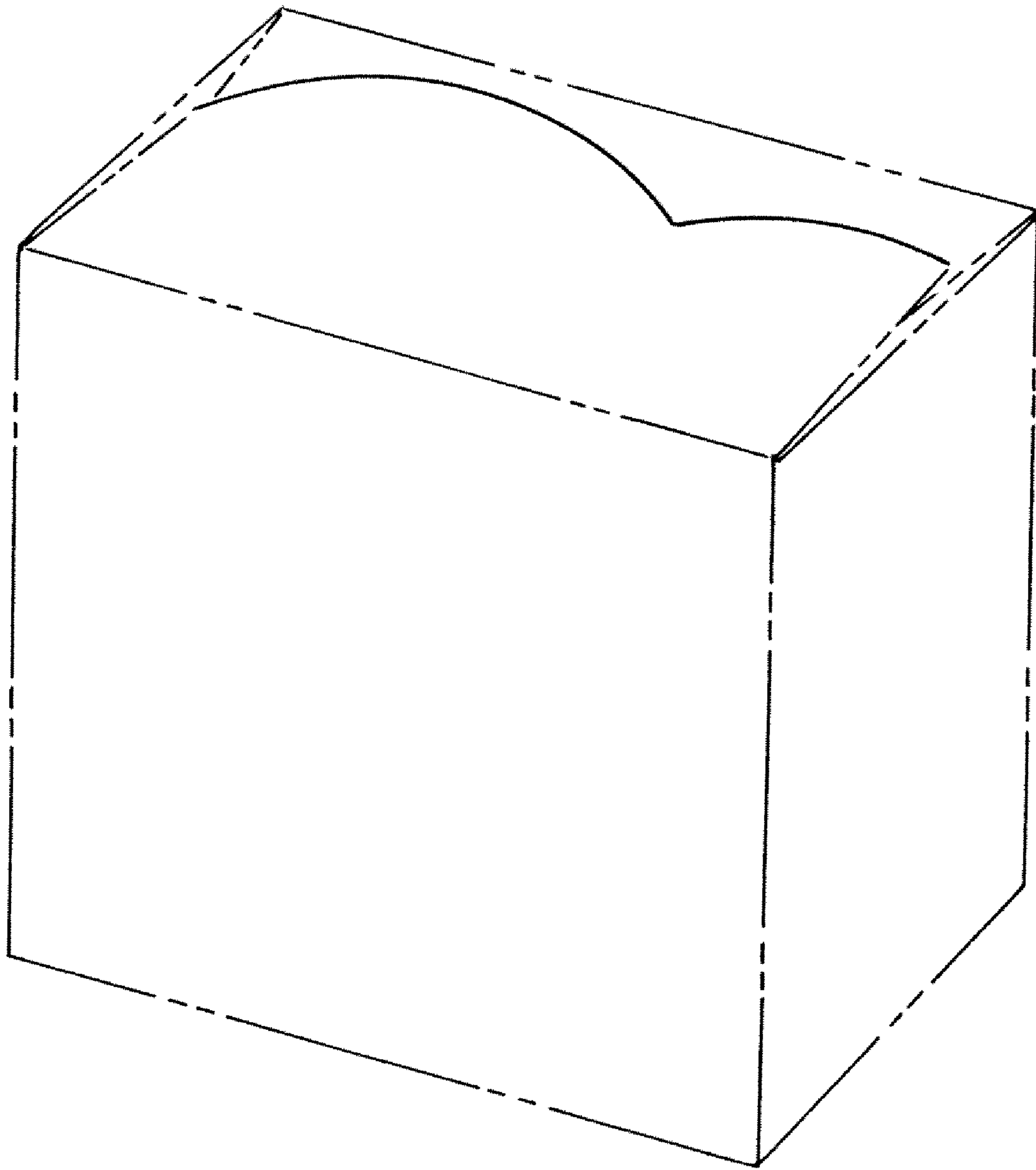


FIG. 1

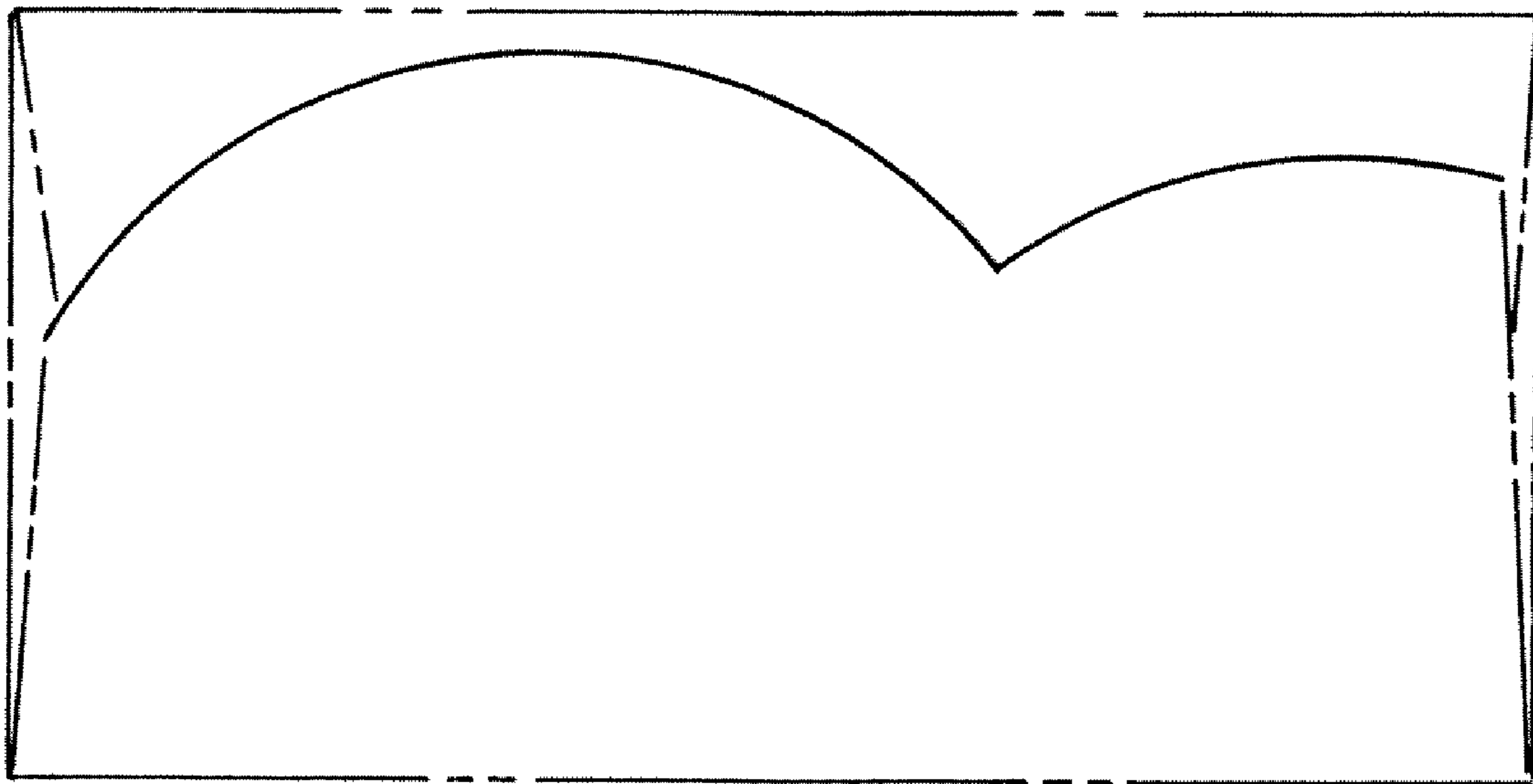


FIG. 2