



US00D612231S

(12) **United States Design Patent**
Peng

(10) **Patent No.:** **US D612,231 S**
(45) **Date of Patent:** **** Mar. 23, 2010**

(54) **HEADER CARD OF PRIMER BULB ASSEMBLY**

D588,908 S * 3/2009 Silvenis et al. D9/424
D593,853 S * 6/2009 Sorrentino et al. D9/415

(76) Inventor: **I-Sin Peng**, No. 410, Sec. 2, Henan Rd.,
Situn District, Taichung City 407 (TW)

* cited by examiner

(**) Term: **14 Years**

Primary Examiner—Caron Veynar
Assistant Examiner—Abraham Bahta
(74) *Attorney, Agent, or Firm*—Jackson IPG PLLC

(21) Appl. No.: **29/336,403**

(57) **CLAIM**

(22) Filed: **May 4, 2009**

The ornamental design for a header card of primer bulb assembly, as shown and described.

(51) **LOC (9) Cl.** **09-03**

(52) **U.S. Cl.** **D9/415**

(58) **Field of Classification Search** D9/414–416,
D9/418–419, 424–425, 715, 722; 206/822,
206/462–465, 471, 775–778, 499, 444, 443
See application file for complete search history.

DESCRIPTION

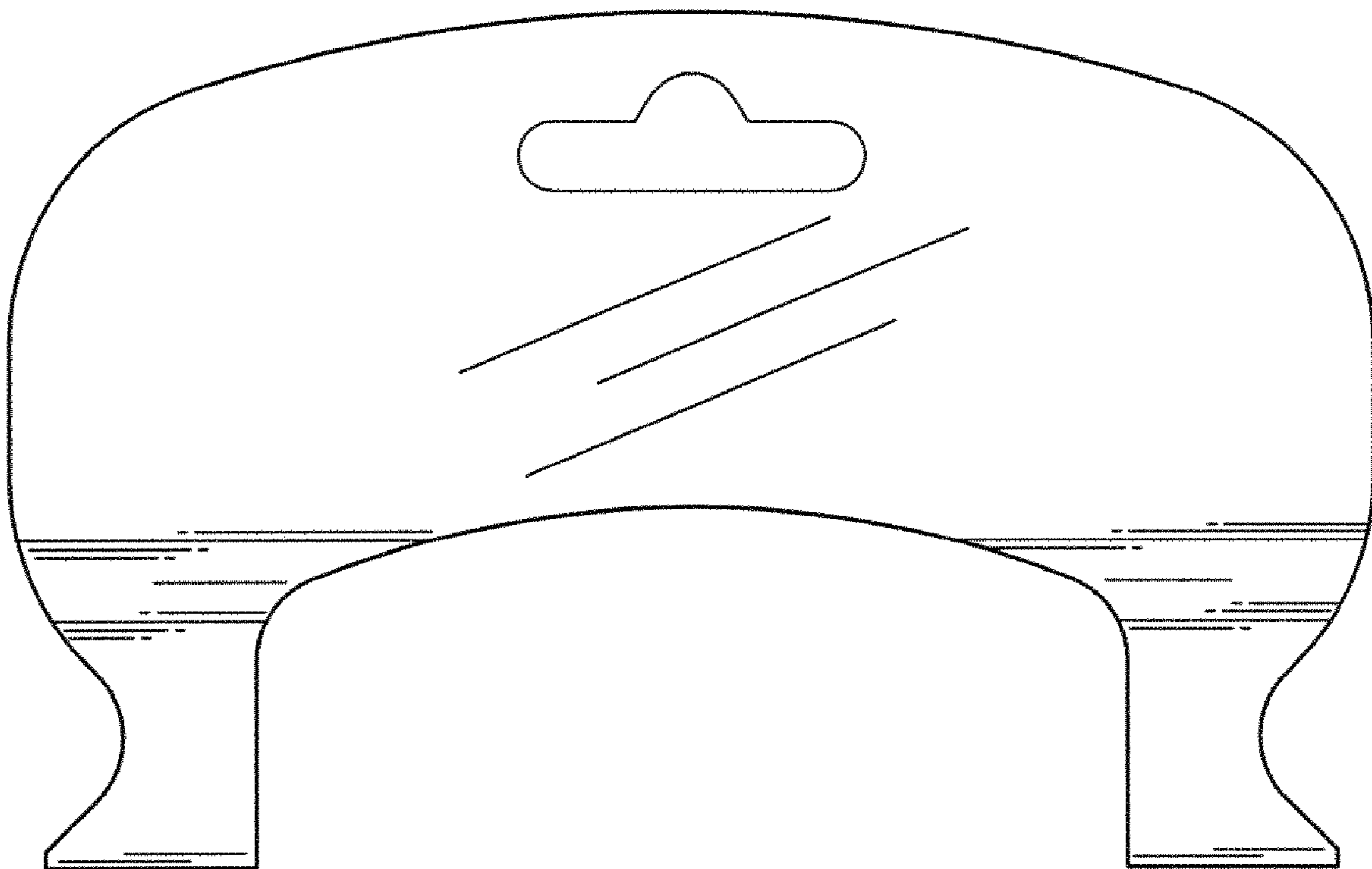
FIG. 1 is a rear elevation view thereof;
FIG. 2 is a front elevation view thereof;
FIG. 3 is a left side view thereof;
FIG. 4 is a right side view thereof;
FIG. 5 is a top plan view thereof;
FIG. 6 is a bottom plan view thereof; and,
FIG. 7 is a perspective view of a header card of primer bulb assembly showing my new design; and,
FIG. 8 shows the application of the present invention, where those indicated by broken lines are not claimed in the present invention.

(56) **References Cited**

U.S. PATENT DOCUMENTS

- D364,561 S * 11/1995 Chapman et al. D9/415
- D382,475 S * 8/1997 Cooper D9/415
- D438,461 S * 3/2001 Yamagishi D9/415
- D508,843 S * 8/2005 Lane D9/415
- D514,927 S * 2/2006 Helfrich D9/415
- D517,909 S * 3/2006 Kent et al. D9/415
- D531,021 S * 10/2006 Ashby et al. D9/415
- D565,403 S * 4/2008 Caine et al. D9/415
- D584,606 S * 1/2009 Wintolders et al. D9/415

1 Claim, 5 Drawing Sheets



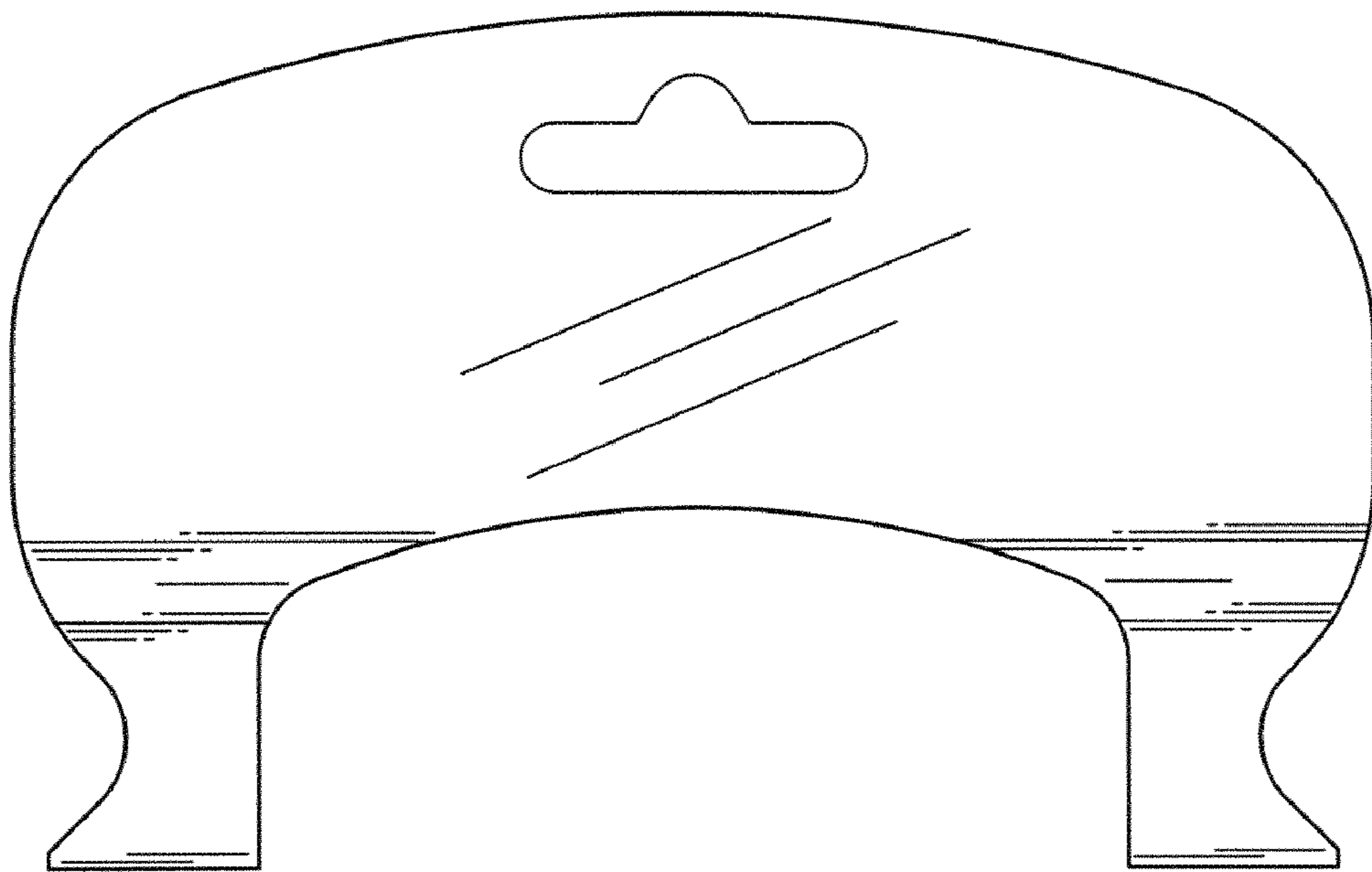


Fig. 1

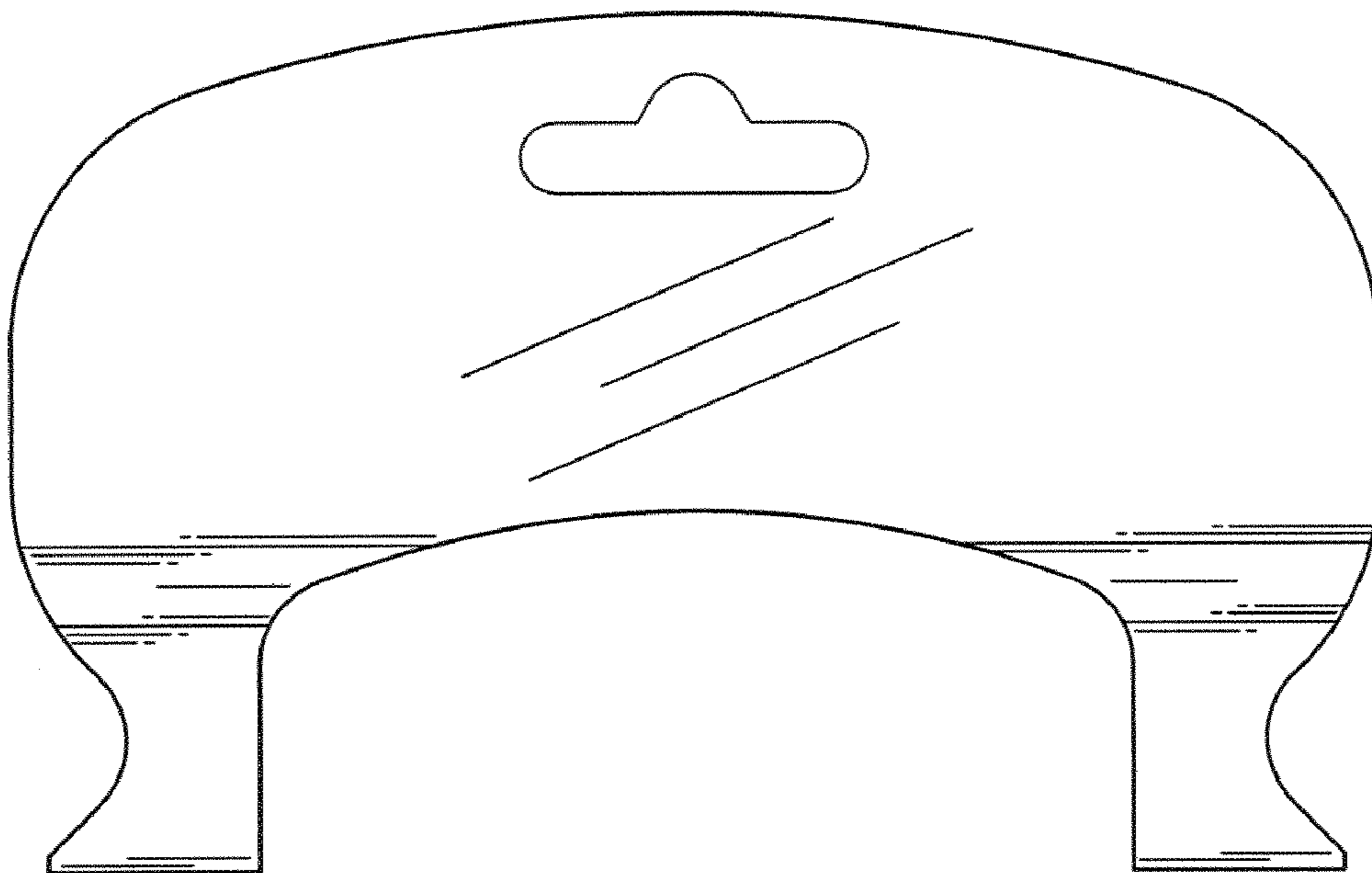


Fig. 2

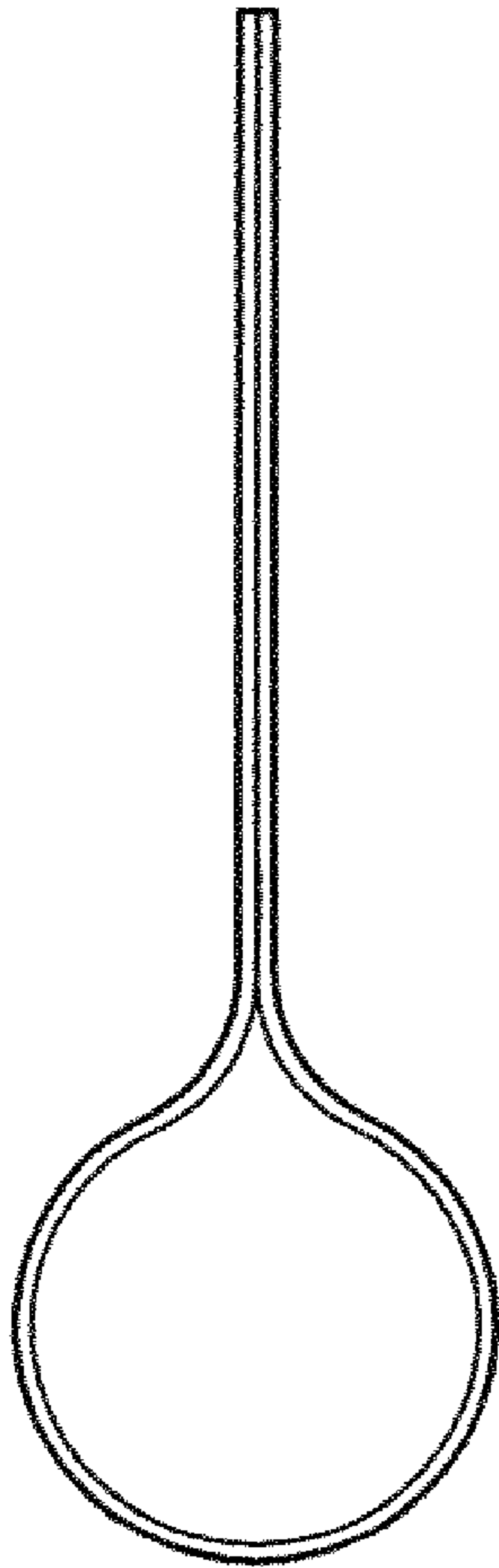


Fig. 3

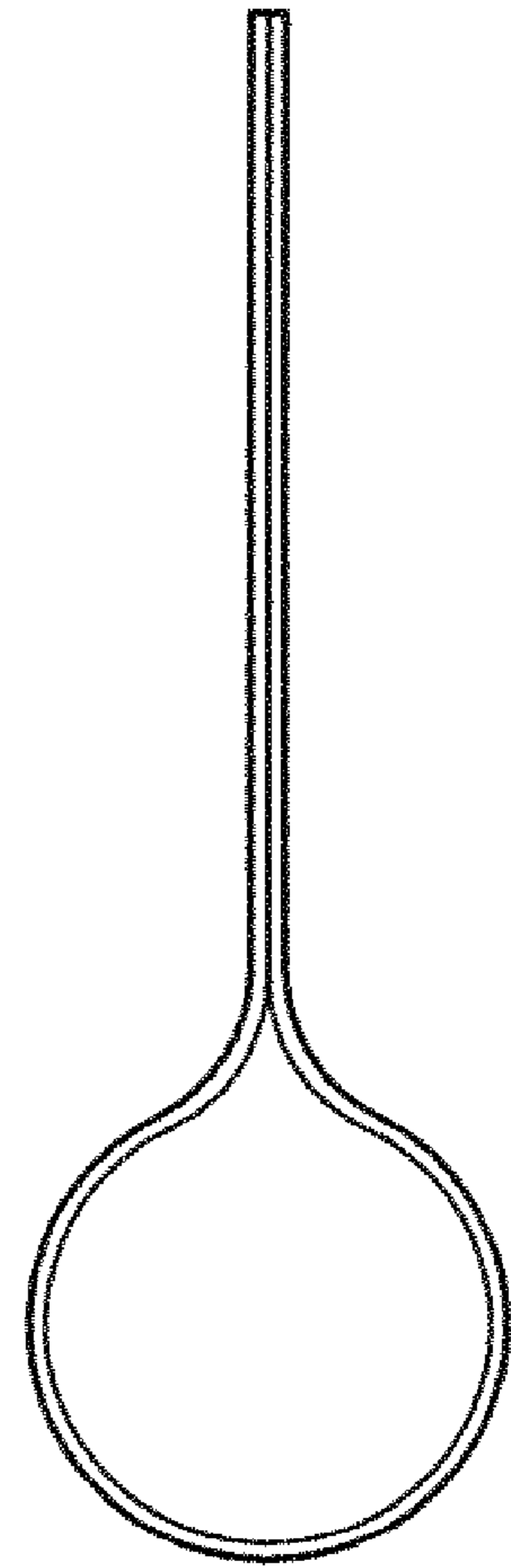


Fig. 4

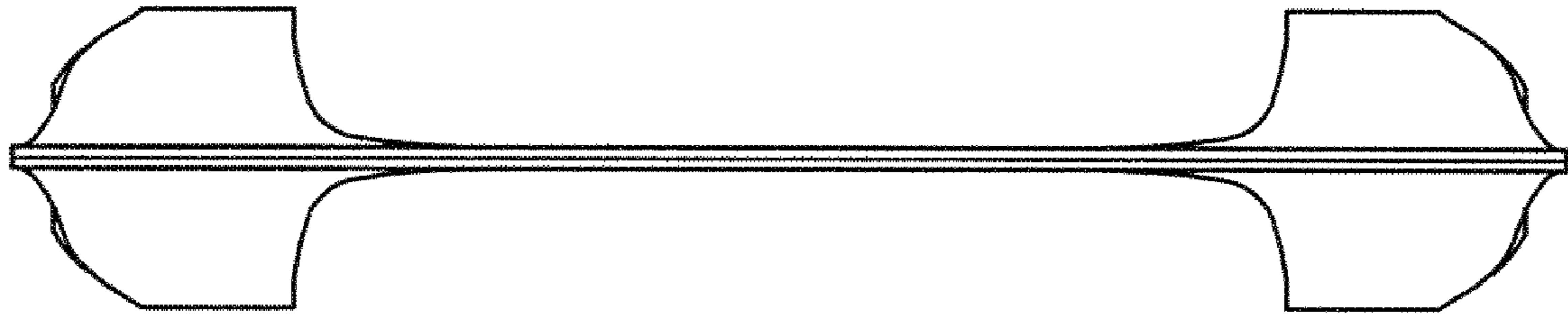


Fig. 5

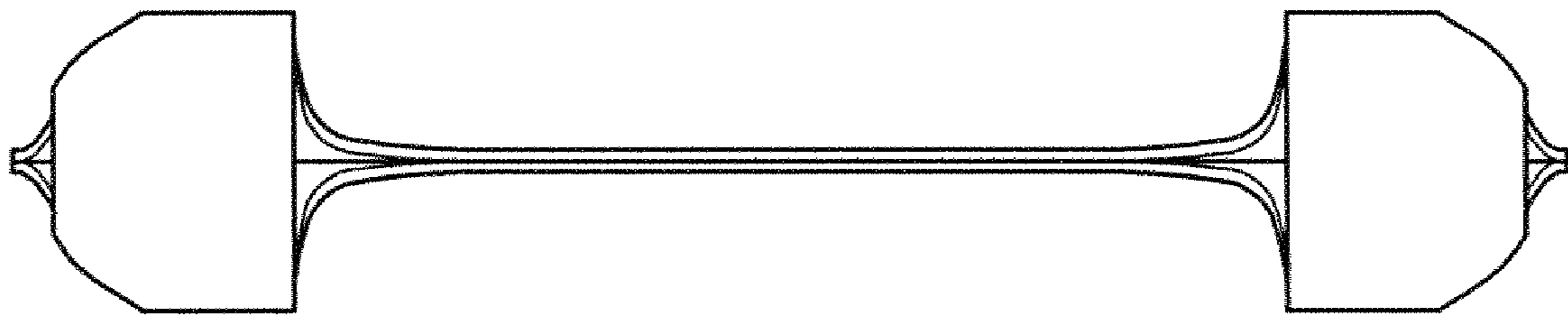


Fig. 6

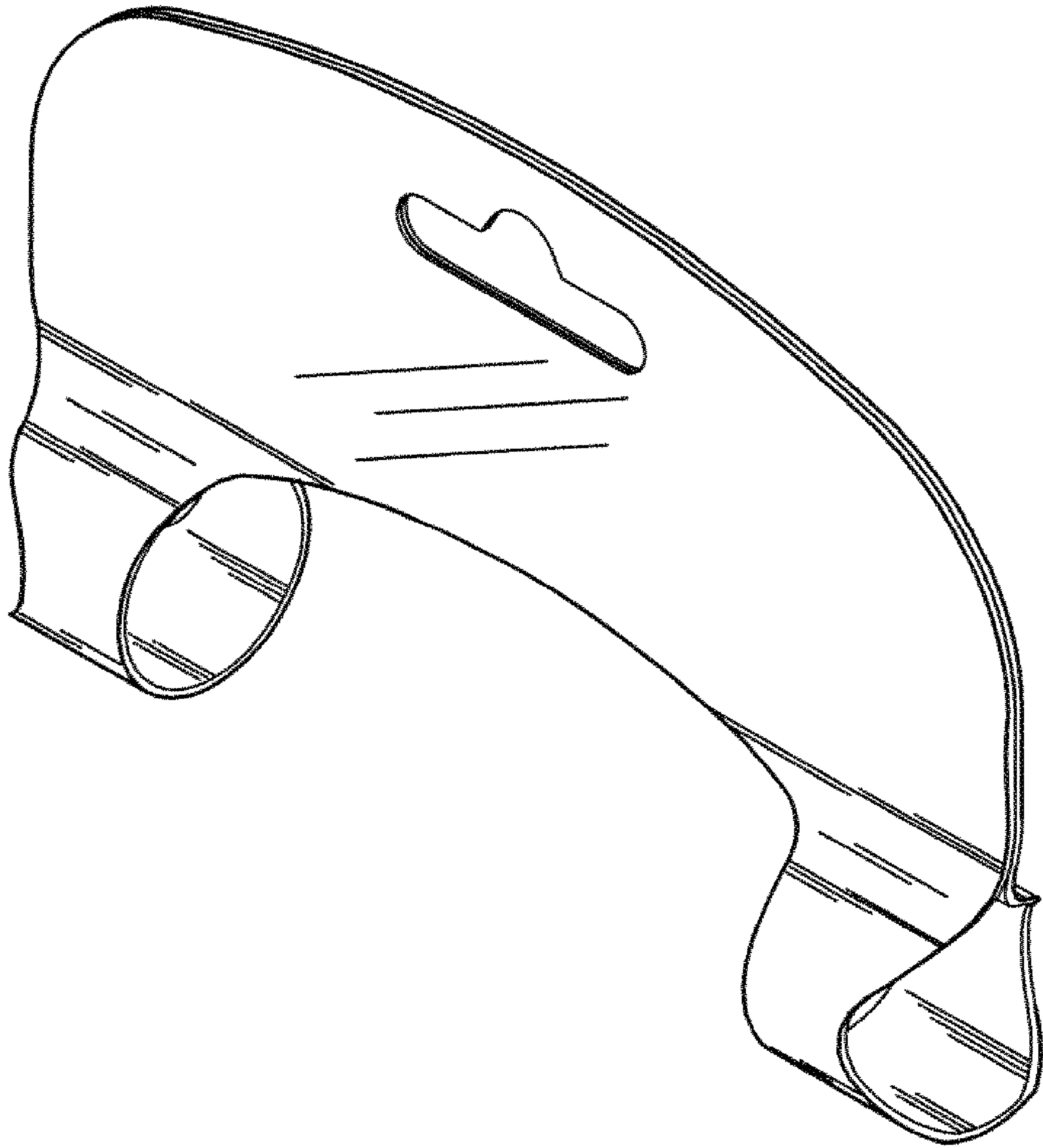


Fig. 7

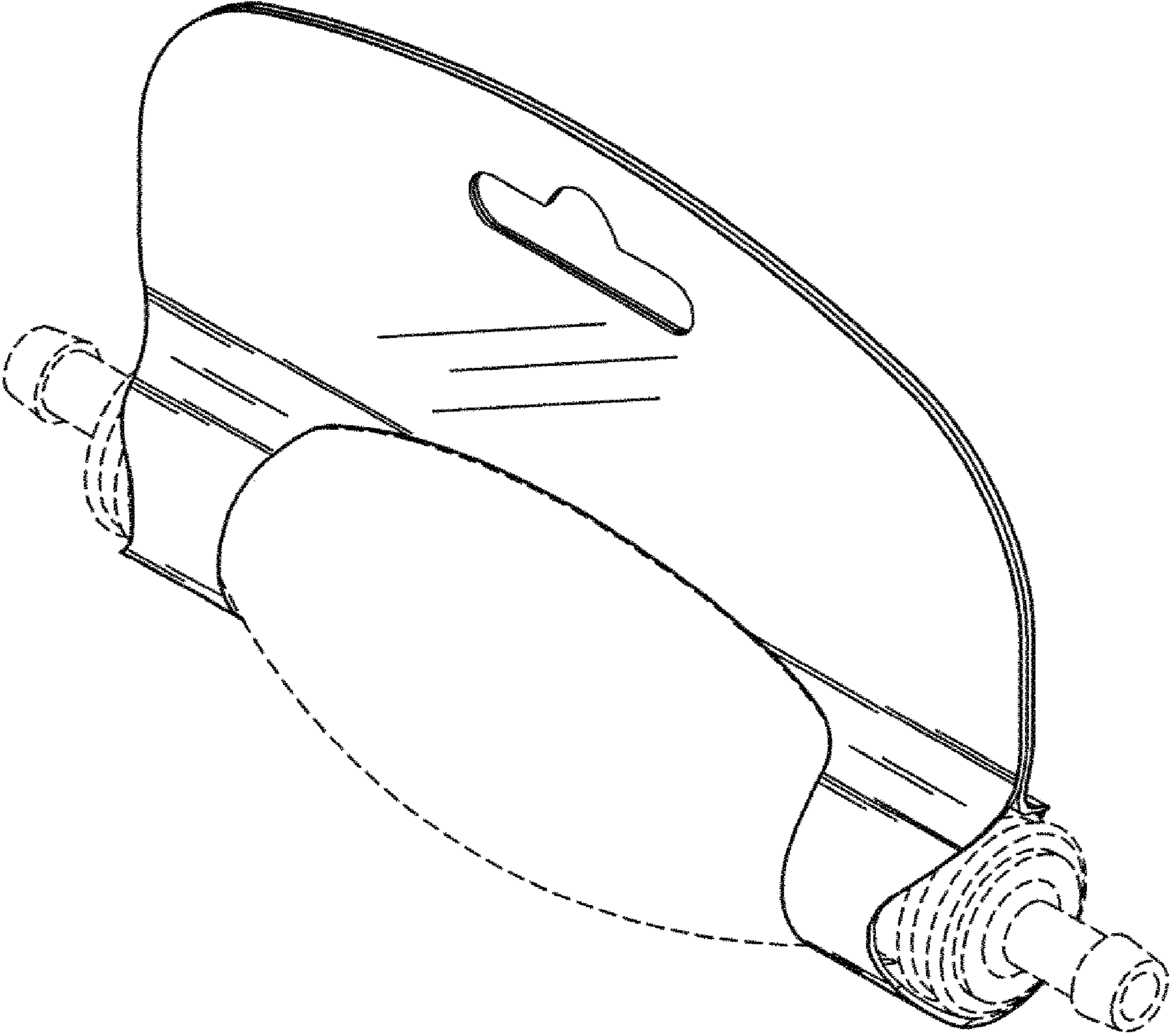


Fig. 8