



US00D612228S

(12) **United States Design Patent**
Goodman et al.

(10) **Patent No.:** **US D612,228 S**
(45) **Date of Patent:** **** Mar. 23, 2010**

(54) **OVER-THE-DOOR HOOK RACK**

D465,406 S 11/2002 Goodman et al.
D465,998 S 11/2002 Goodman et al.
D466,396 S 12/2002 Snell
D479,796 S 9/2003 Snell

(75) Inventors: **Sheldon H. Goodman**, Solon, OH (US);
Omer I. Sazir, Cleveland, OH (US)

(73) Assignee: **Spectrum Diversified Designs, Inc.**,
Streetsboro, OH (US)

Primary Examiner—Holly H Baynham
(74) *Attorney, Agent, or Firm*—Pearne & Gordon LLP

(**) Term: **14 Years**

(57) **CLAIM**

(21) Appl. No.: **29/340,985**

The ornamental design for an over-the-door hook rack, as shown and described.

(22) Filed: **Jul. 29, 2009**

Related U.S. Application Data

DESCRIPTION

(62) Division of application No. 29/303,657, filed on Feb. 14, 2008, now Pat. No. Des. 602,768.

FIG. 1 is a perspective view of an over-the-door hook rack showing our new design;

(51) **LOC (9) Cl.** **08-05**

FIG. 2 is a front elevational view thereof;

(52) **U.S. Cl.** **D8/372**

FIG. 3 is a side elevational view thereof;

(58) **Field of Classification Search** D8/367,

FIG. 4 is a top plan view thereof;

D8/372, 370; 248/302–303, 339

FIG. 5 is a bottom plan view thereof; and,

See application file for complete search history.

FIG. 6 is a rear elevational view thereof.

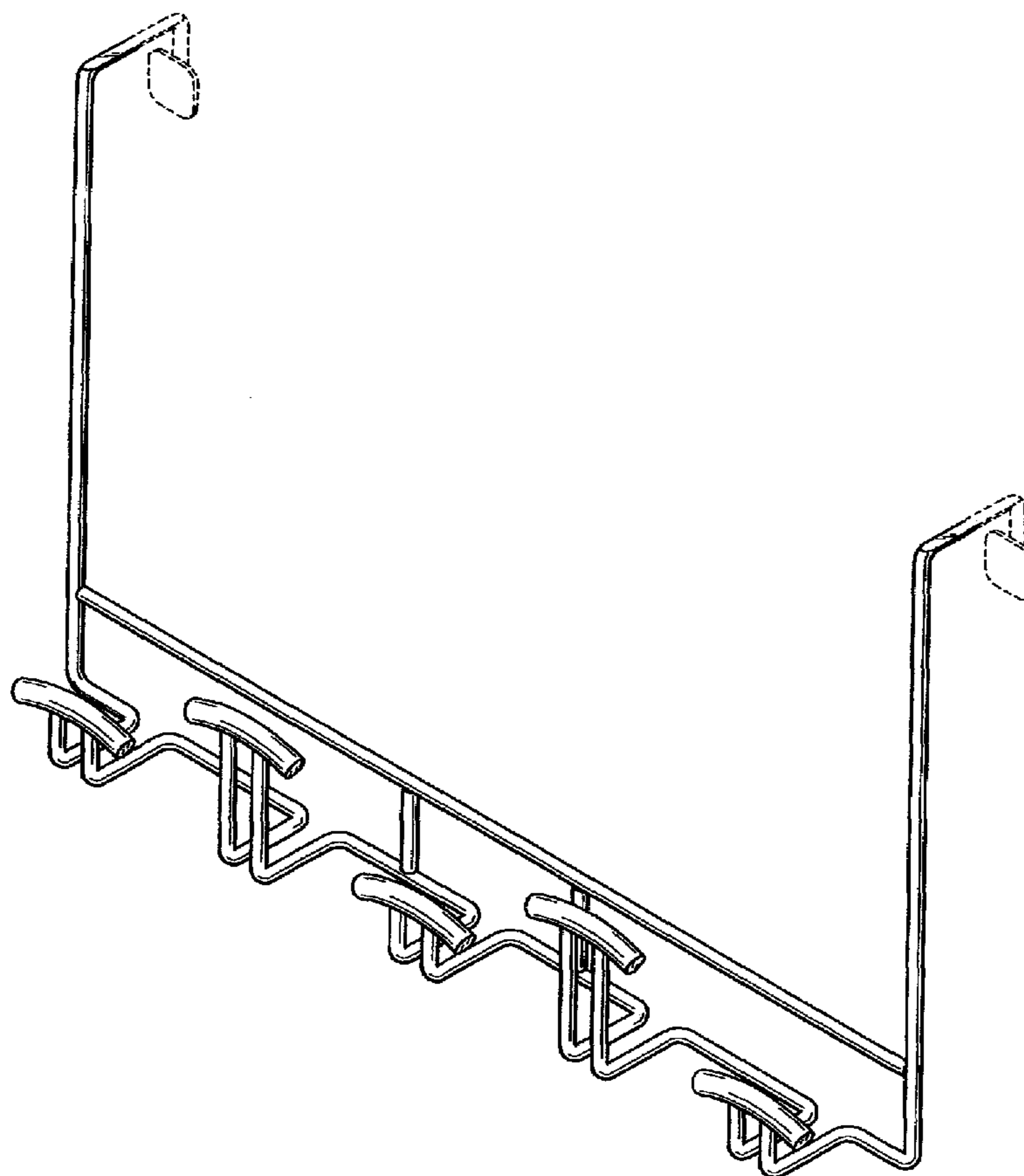
The dotted-line showing in the drawings illustrates environmental matter and forms no part of the claimed design.

(56) **References Cited**

U.S. PATENT DOCUMENTS

D421,382 S 3/2000 Abdi

1 Claim, 3 Drawing Sheets



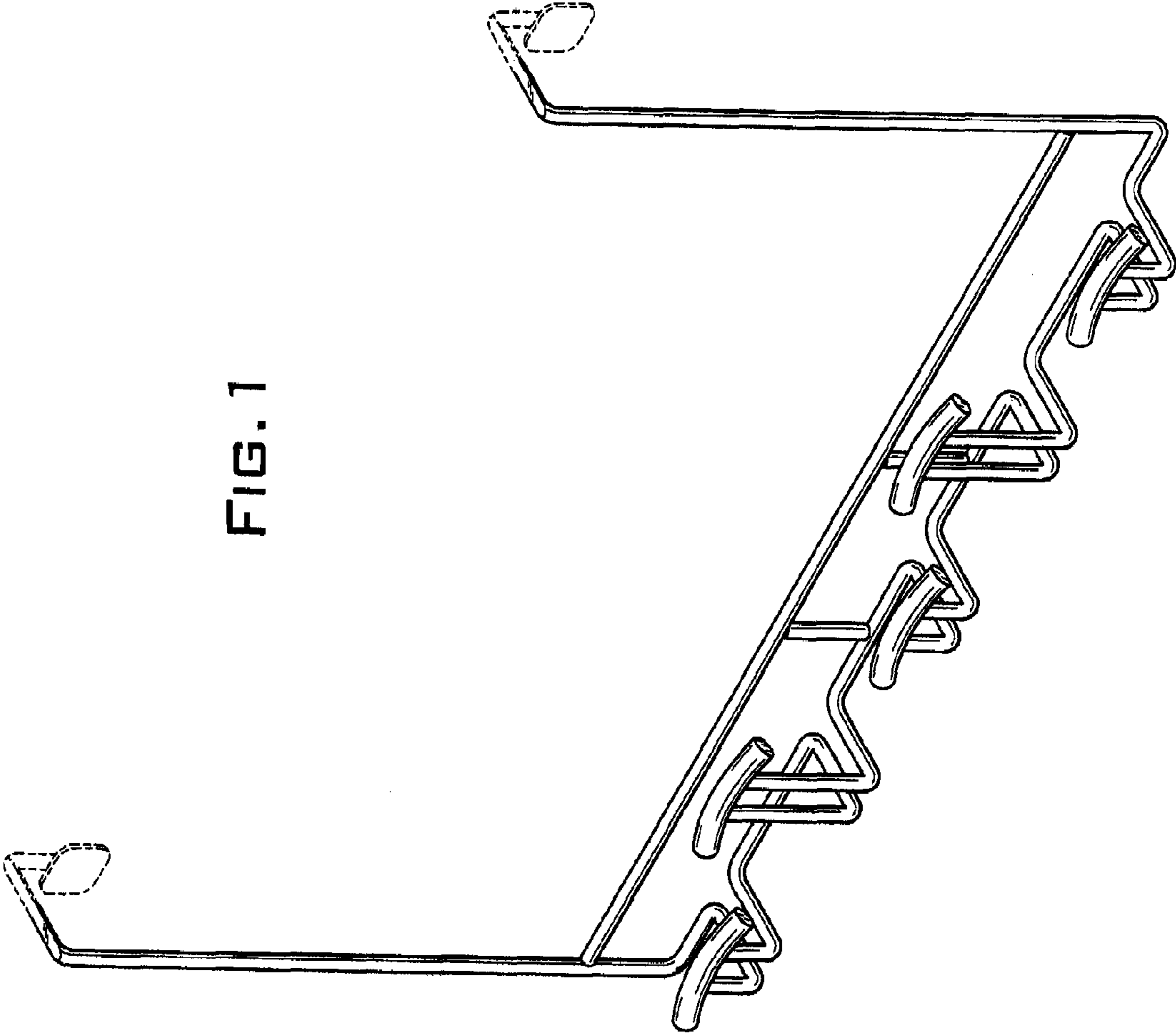


FIG. 1

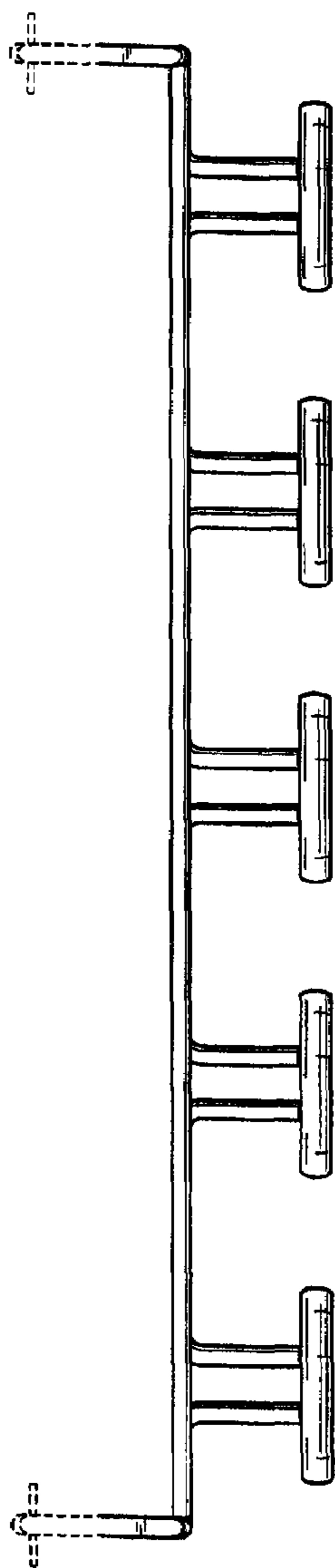


FIG. 4

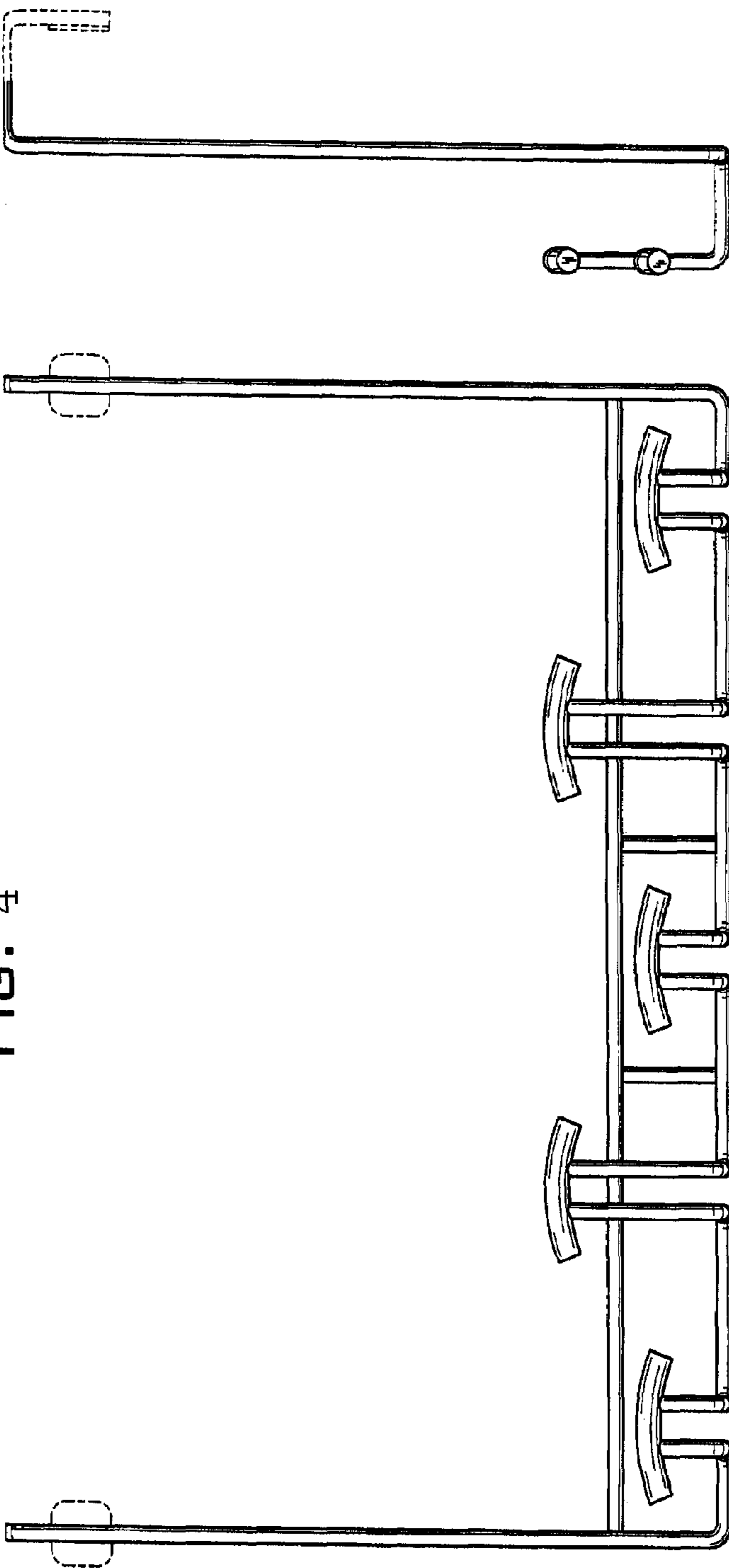


FIG. 3

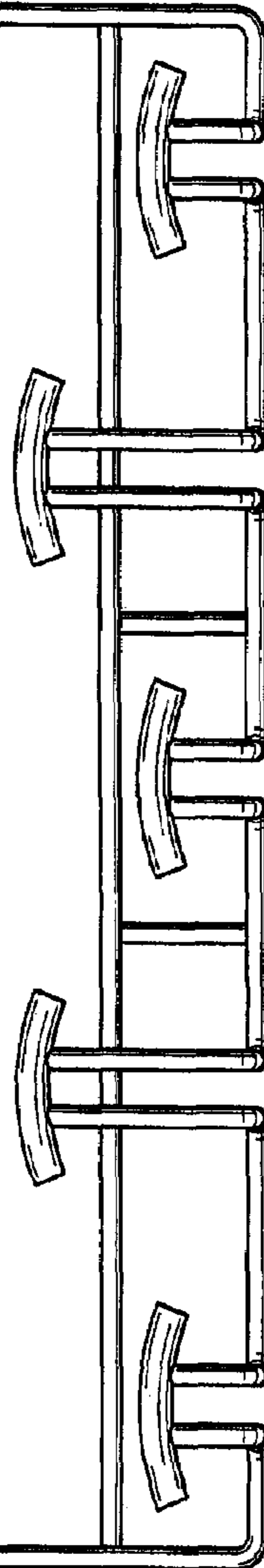


FIG. 2

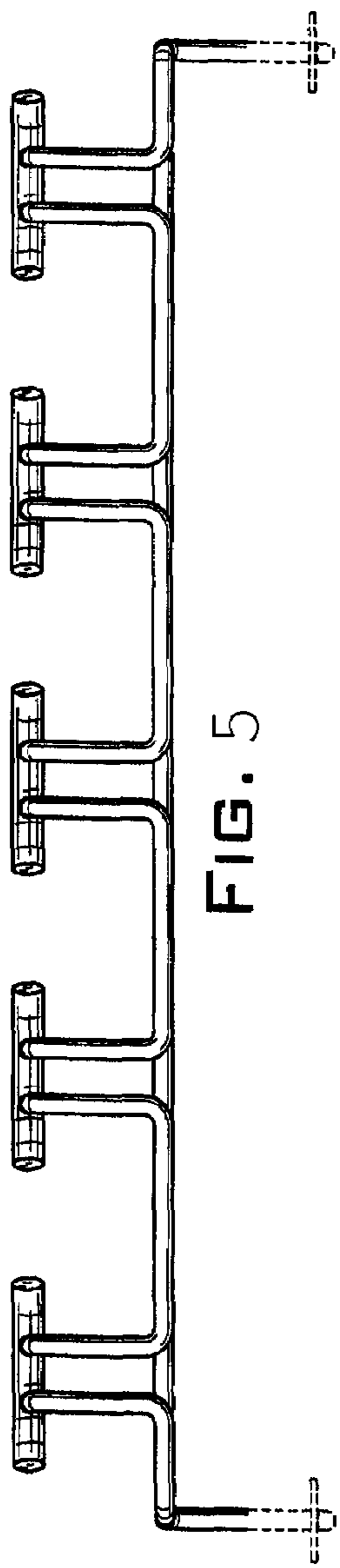


FIG. 5

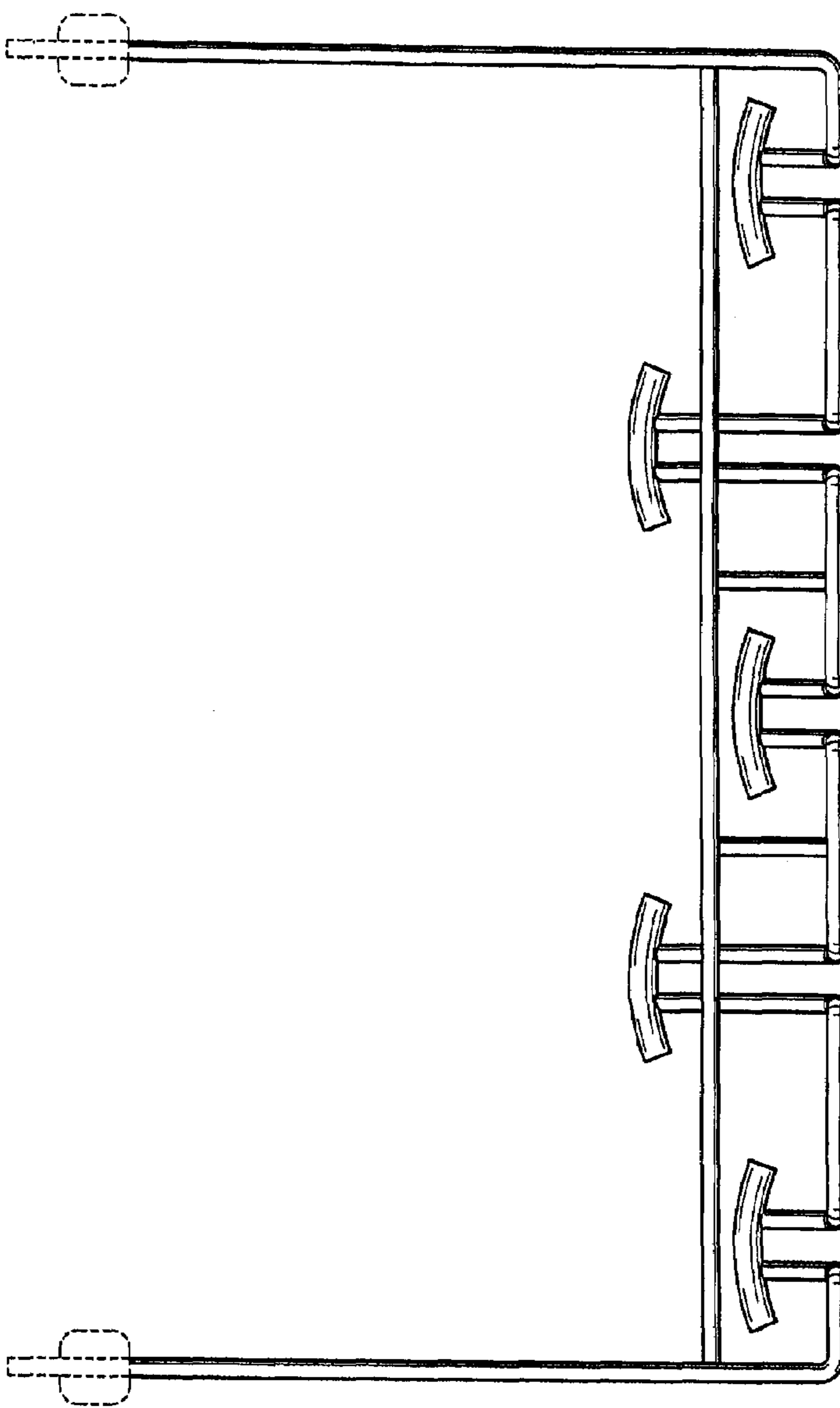


FIG. 6