



US00D612224S

(12) **United States Design Patent**
Wendt

(10) **Patent No.:** **US D612,224 S**
(45) **Date of Patent:** **** Mar. 23, 2010**

(54) **PERIMETER TRIM MOUNTING BRACKET**

(75) Inventor: **Alan C. Wendt**, Barrington, IL (US)

(73) Assignee: **USG Interiors, Inc.**, Chicago, IL (US)

(**) Term: **14 Years**

(21) Appl. No.: **29/332,196**

(22) Filed: **Feb. 11, 2009**

(51) **LOC (9) Cl.** **08-05**

(52) **U.S. Cl.** **D8/354**

(58) **Field of Classification Search** D8/349,
D8/354, 373; D25/58; 52/105, 220.6, 232,
52/506.3, 506.6–506.9, 665–668

See application file for complete search history.

(56) **References Cited**

U.S. PATENT DOCUMENTS

4,535,580	A	8/1985	Shirey	
5,195,289	A	3/1993	LaLonde et al.	
5,201,787	A	4/1993	LaLonde et al.	
5,937,605	A *	8/1999	Wendt	52/506.06
5,966,887	A *	10/1999	Mieyal	52/506.07
D434,304	S *	11/2000	Willett	D8/354
6,305,139	B1 *	10/2001	Sauer	52/506.07

6,523,313	B2 *	2/2003	Lin et al.	52/506.06
D472,791	S *	4/2003	Callahan et al.	D8/349
6,729,100	B2 *	5/2004	Koski et al.	52/506.05
7,552,567	B2 *	6/2009	Ingratta et al.	52/506.07

* cited by examiner

Primary Examiner—Philip S Hyder

Assistant Examiner—Cynthia M Chin

(74) *Attorney, Agent, or Firm*—Pearne & Gordon LLP

(57) **CLAIM**

The ornamental design for a perimeter trim mounting bracket, as shown and described.

DESCRIPTION

FIG. 1 is an isometric rear view of a suspended ceiling perimeter trim mounting bracket showing my new design;

FIG. 2 is a left side elevational view thereof;

FIG. 3 is a top view thereof;

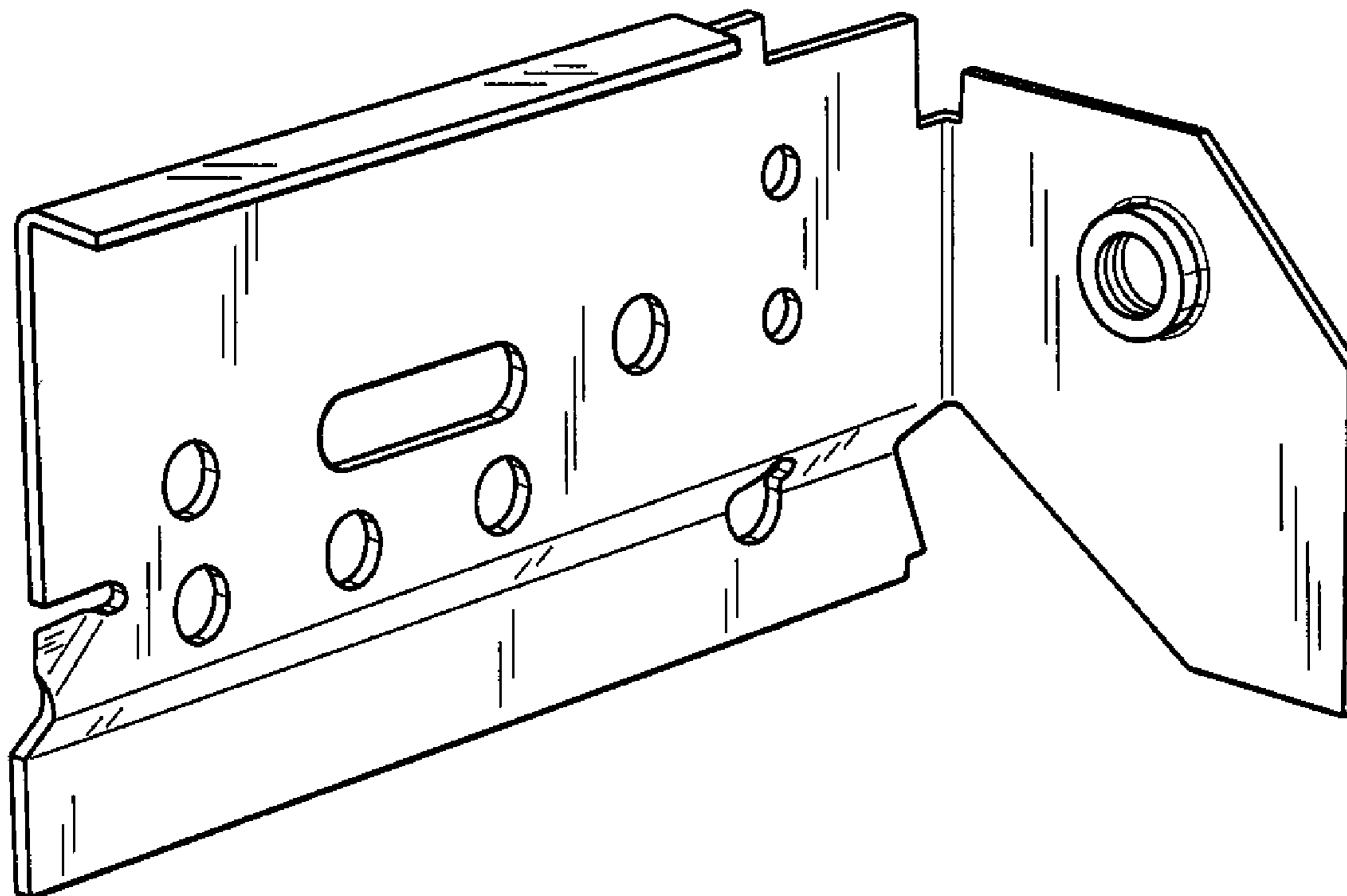
FIG. 4 is a front elevational view thereof;

FIG. 5 is a rear elevational view thereof;

FIG. 6 is a right side elevational view thereof; and,

FIG. 7 is a bottom view thereof.

1 Claim, 2 Drawing Sheets



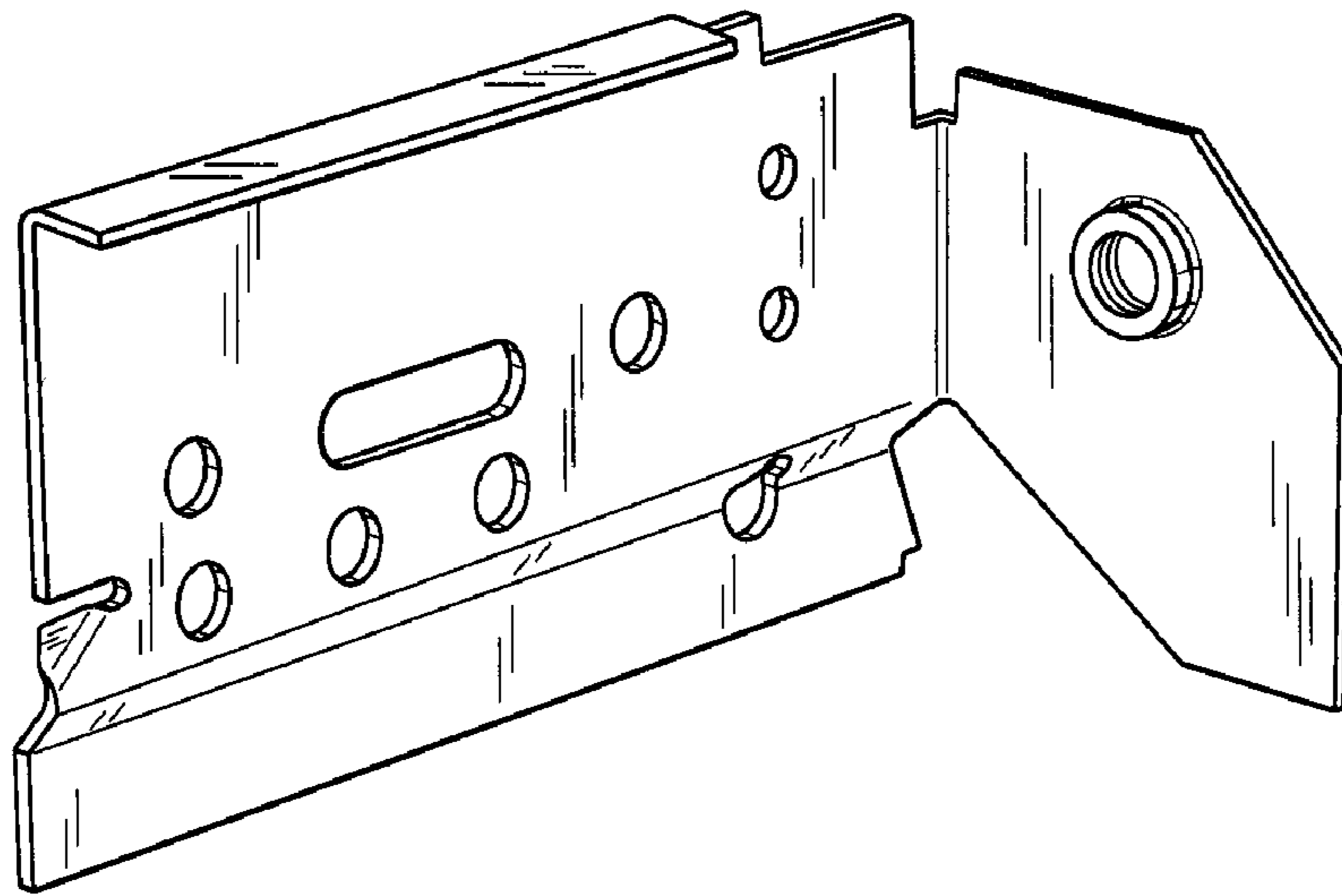


FIG. 1

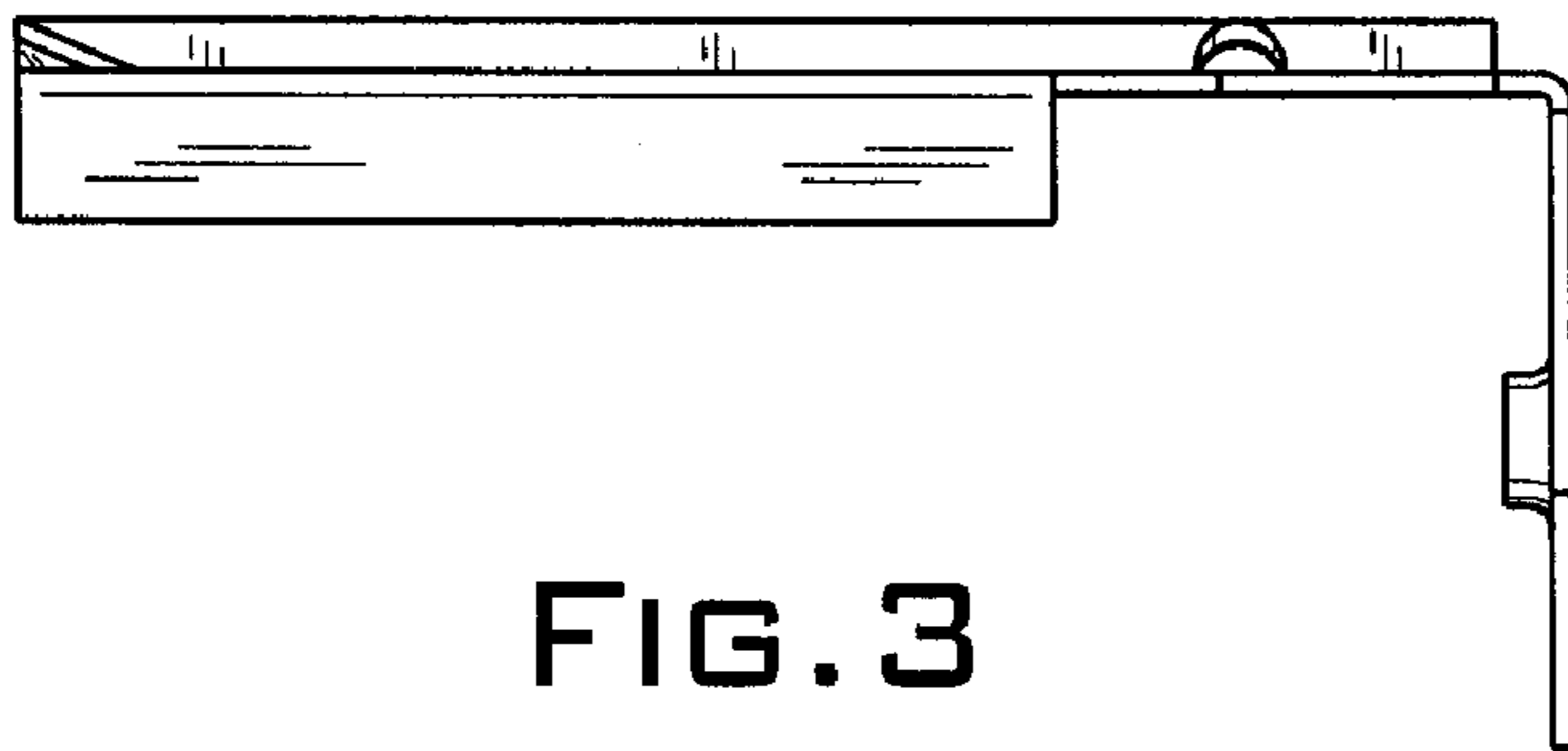


FIG. 3

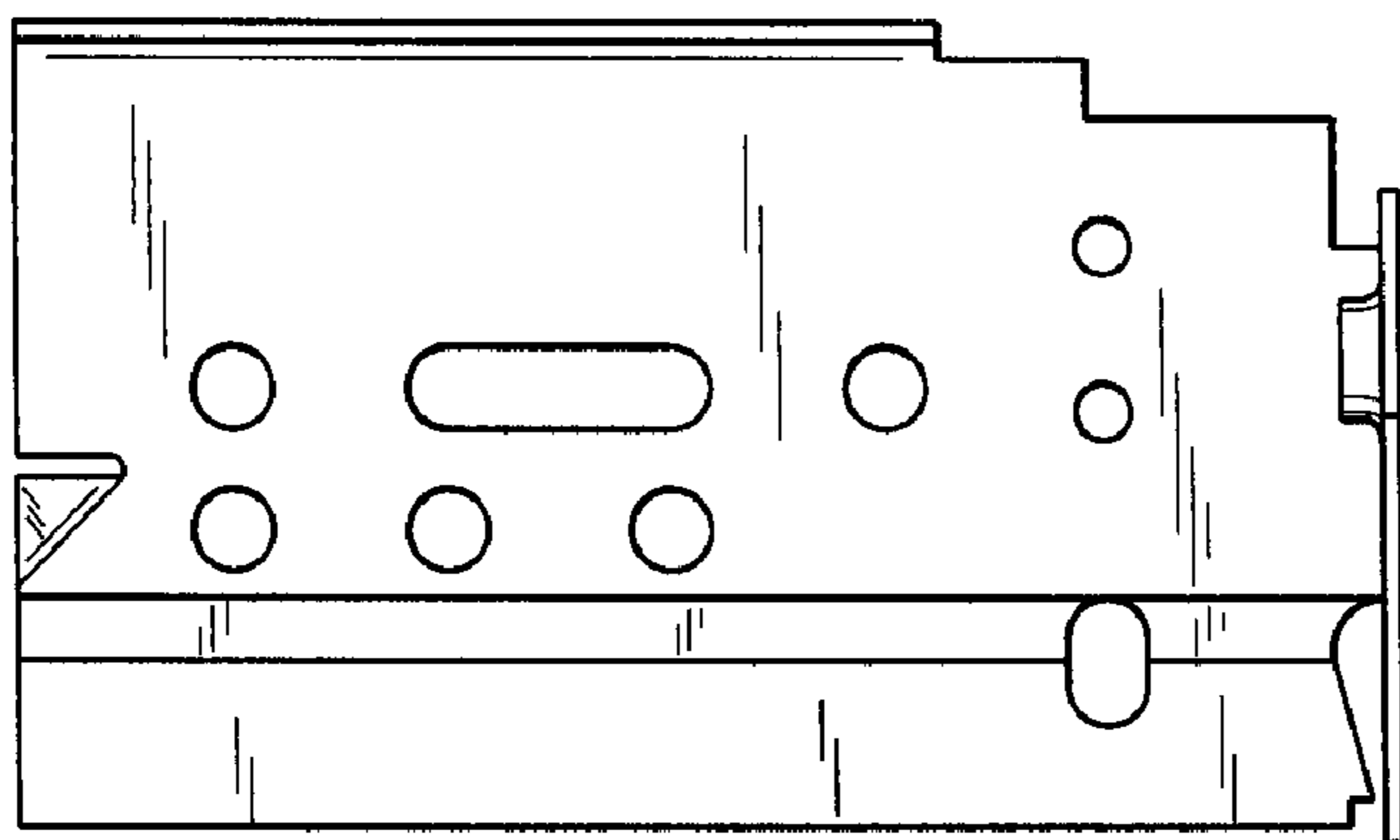


FIG. 2

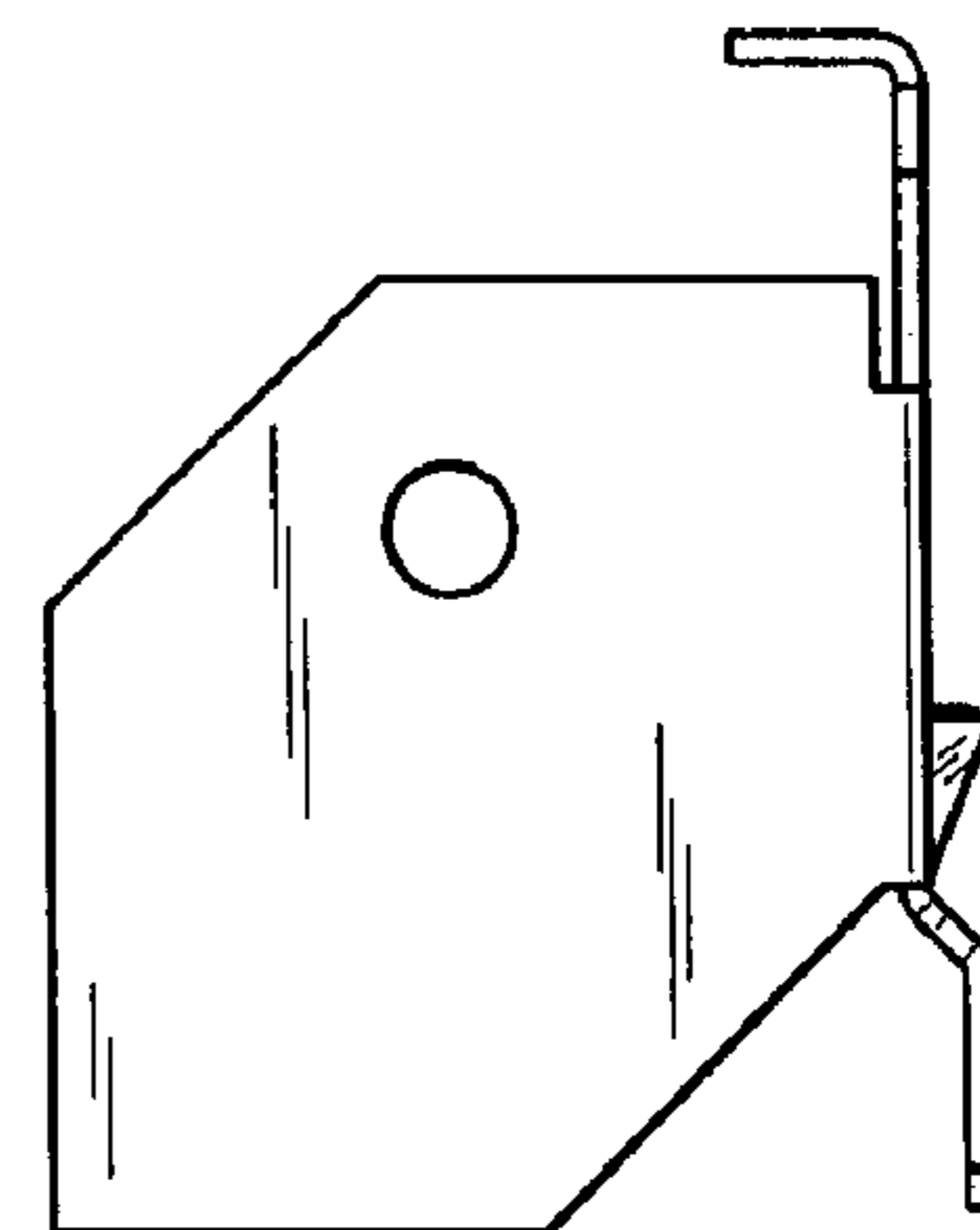


FIG. 4

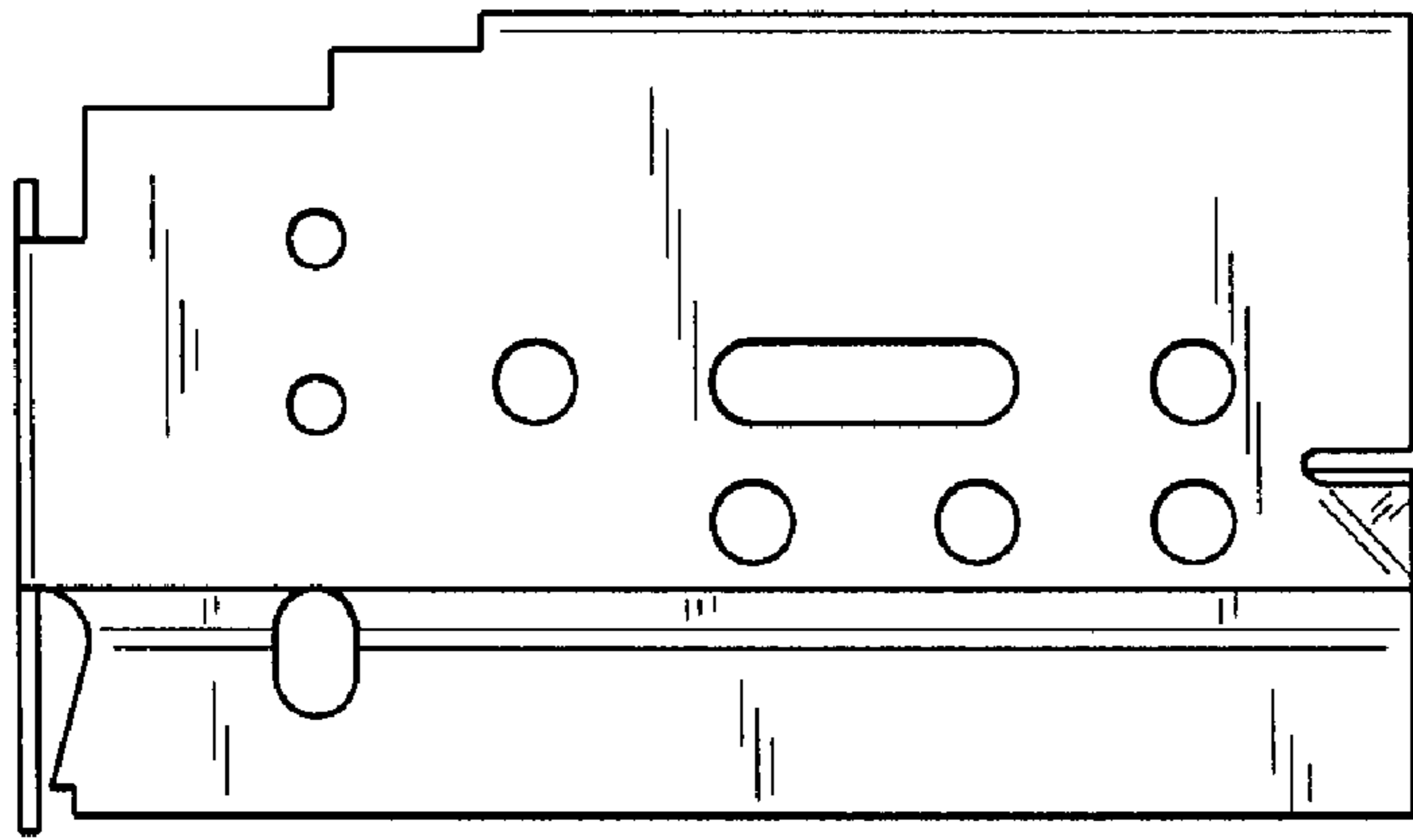


FIG. 6

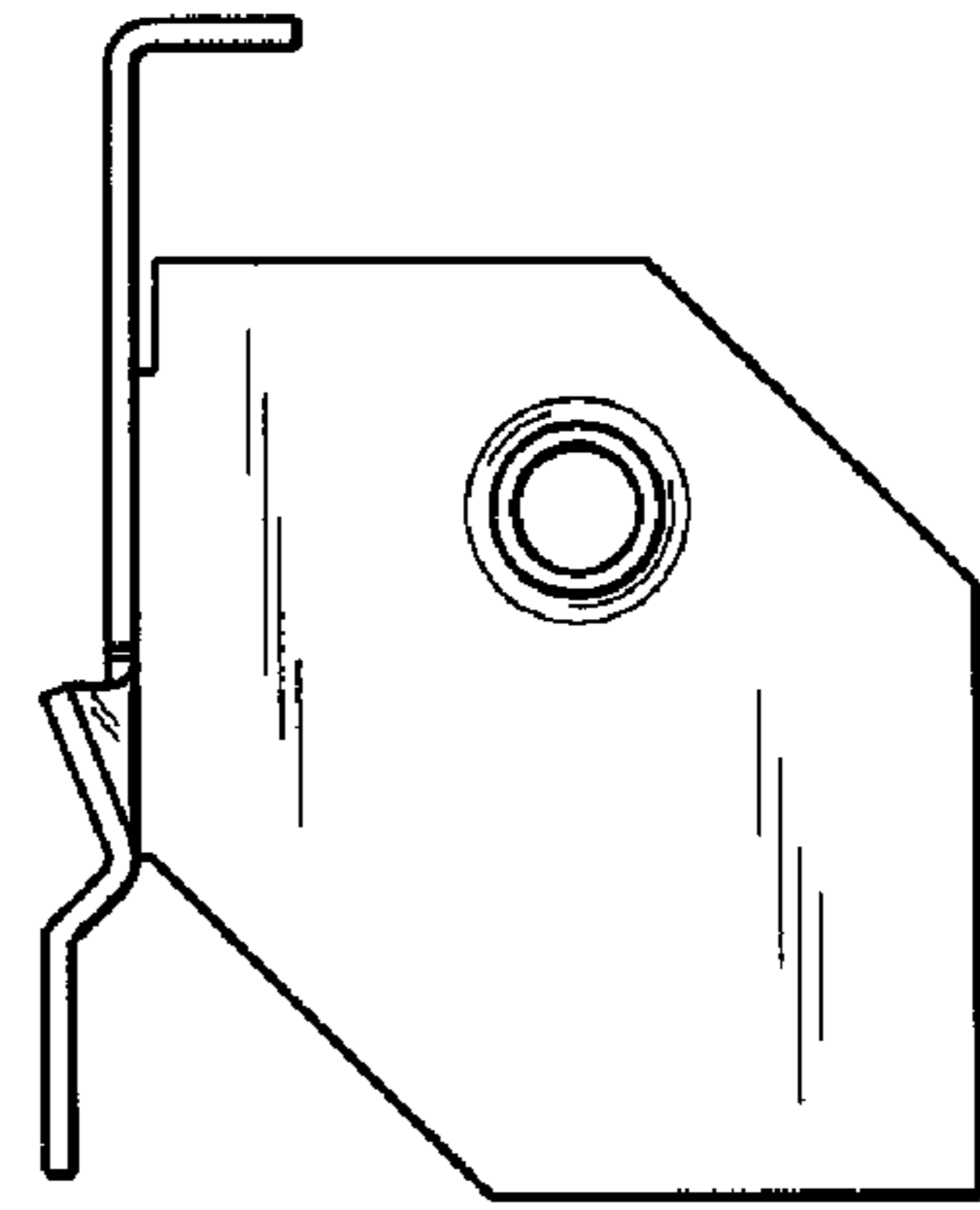


FIG. 5

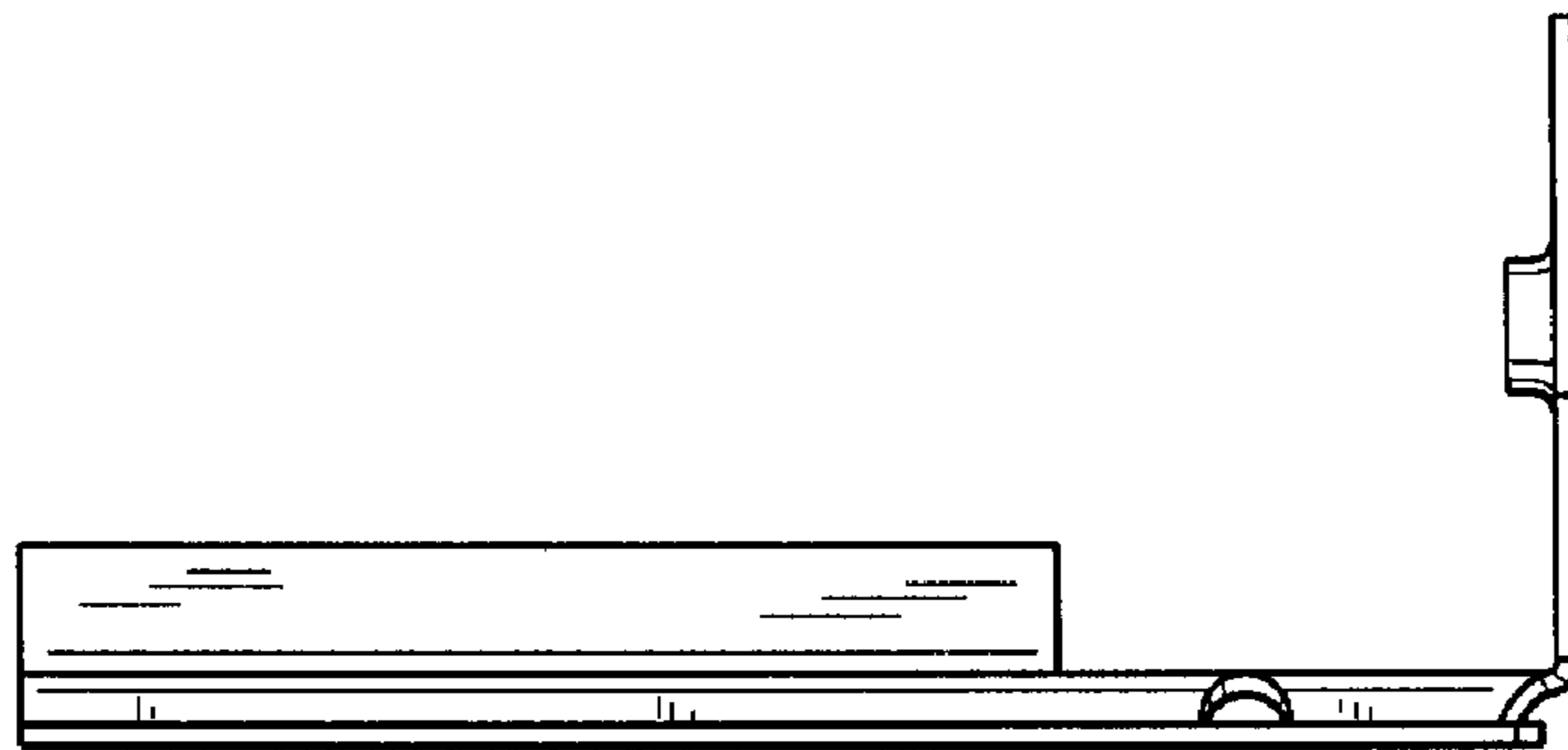


FIG. 7