



US00D612218S

(12) **United States Design Patent**
Blankenship

(10) **Patent No.:** **US D612,218 S**
(45) **Date of Patent:** **** Mar. 23, 2010**

(54) **POTATO CUTTER**

(76) Inventor: **Diane Blankenship**, P.O. Box 72,
Tuscumbia, MO (US) 65082

(**) Term: **14 Years**

(21) Appl. No.: **29/338,402**

(22) Filed: **Jun. 10, 2009**

(51) **LOC (9) Cl.** **07-04**

(52) **U.S. Cl.** **D7/674; D7/666**

(58) **Field of Classification Search** D7/672-676,
D7/666, 683; 241/168, 169, 169.2; 100/213,
100/233, 234; 425/318, 338, 406, 409; 99/495,
99/506

See application file for complete search history.

(56) **References Cited**

U.S. PATENT DOCUMENTS

D324,156 S *	2/1992	Shun	D7/682
D342,650 S *	12/1993	So	D7/666
D370,393 S *	6/1996	Kosa, II	D7/674
7,293,502 B2 *	11/2007	So	100/234
7,299,747 B2 *	11/2007	So	100/234

* cited by examiner

Primary Examiner—Terry A Wallace

(74) *Attorney, Agent, or Firm*—Polster, Lieder, Woodruff &
Lucchesi, LC

(57) **CLAIM**

The ornamental design for potato cutter, as shown and
described.

DESCRIPTION

FIG. 1 is a perspective view of a potato cutter according to an
embodiment of the present invention;

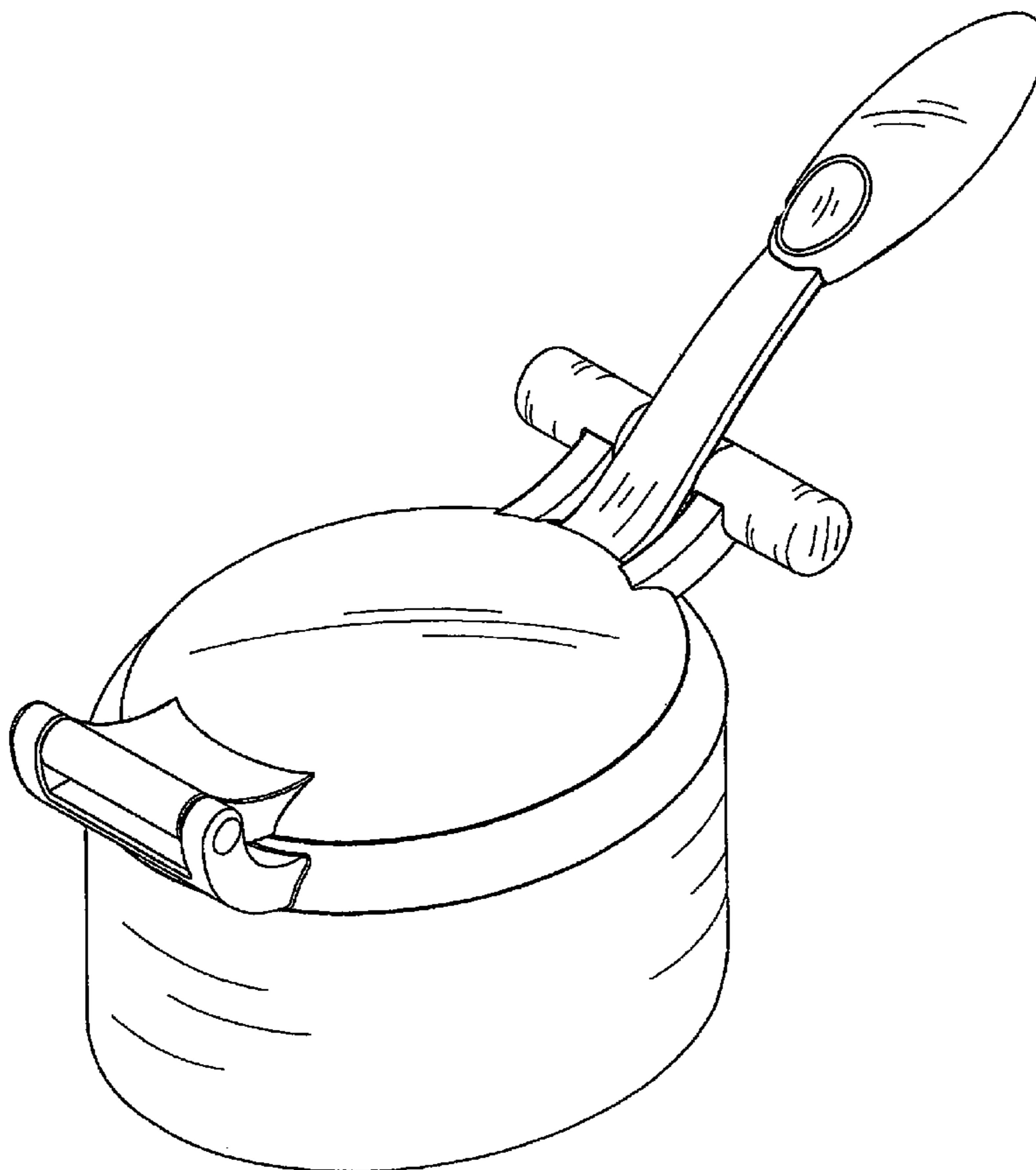
FIG. 2 is a left side view of a potato cutter according to an
embodiment of the present invention;

FIG. 3 is a right side view of a potato cutter according to an
embodiment of the present invention;

FIG. 4 is a front view of a potato cutter according to an
embodiment of the present invention; and,

FIG. 5 is a top view of a potato cutter according to an embodi-
ment of the present invention.

1 Claim, 5 Drawing Sheets



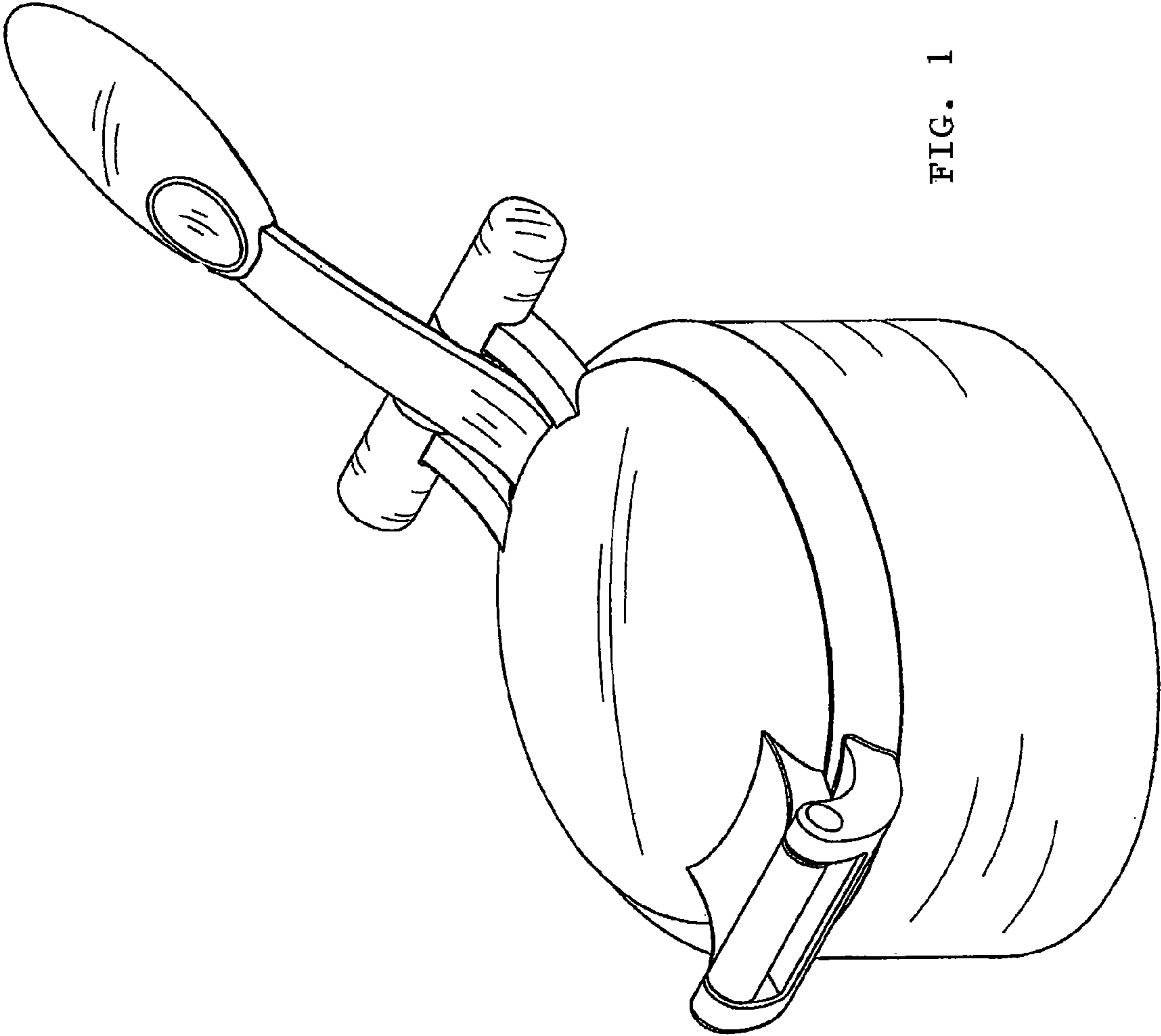


FIG. 1

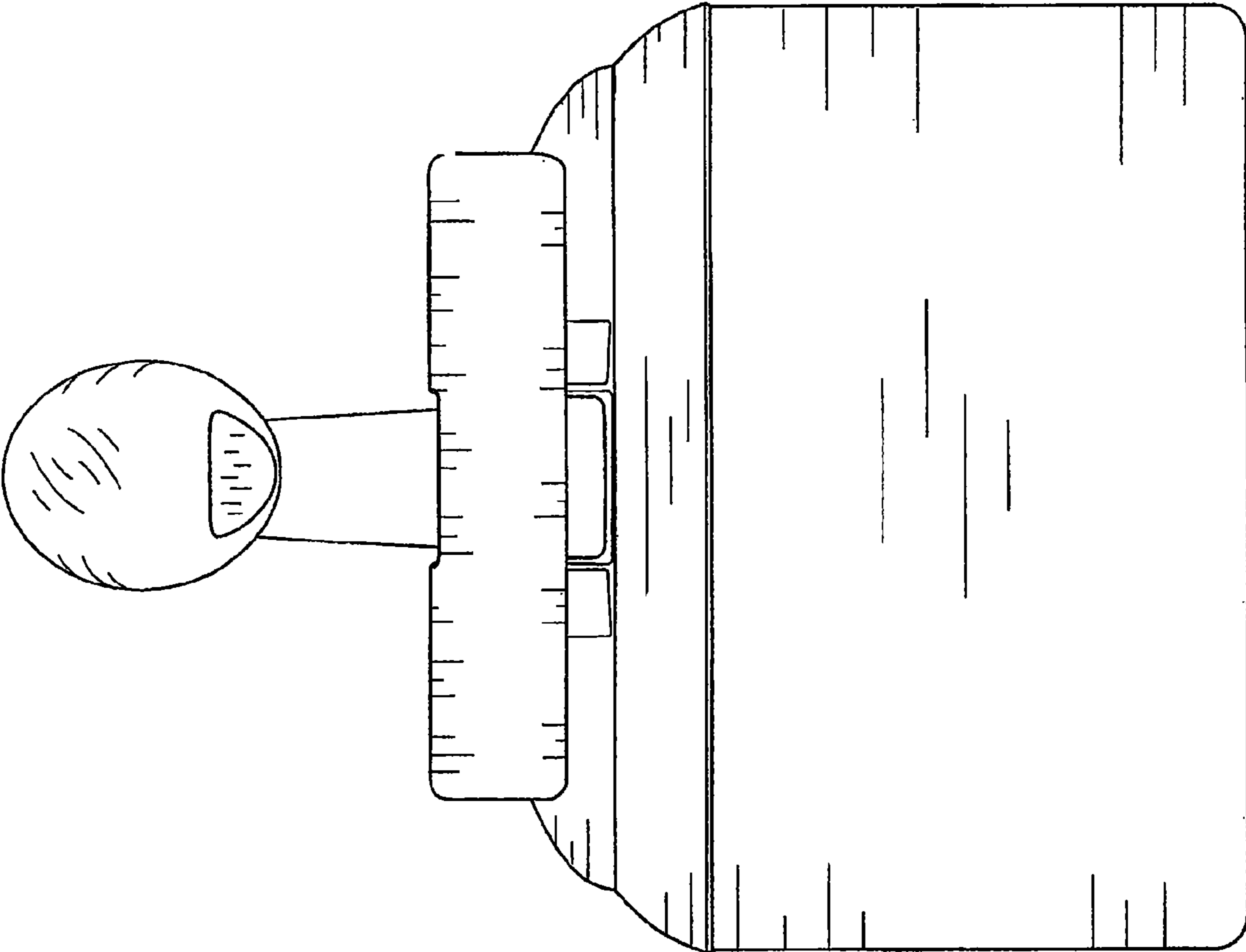


FIG. 2

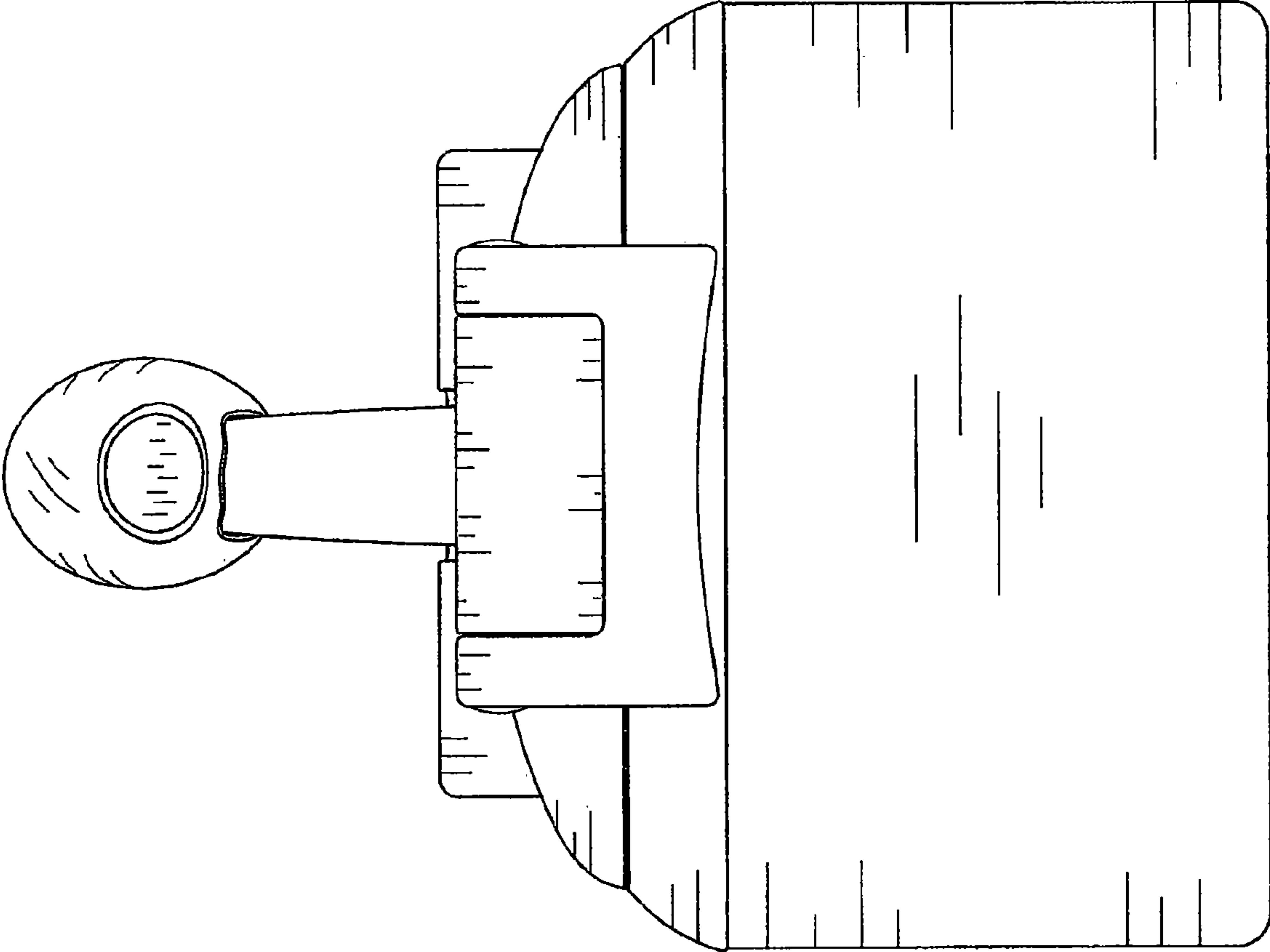


FIG. 3

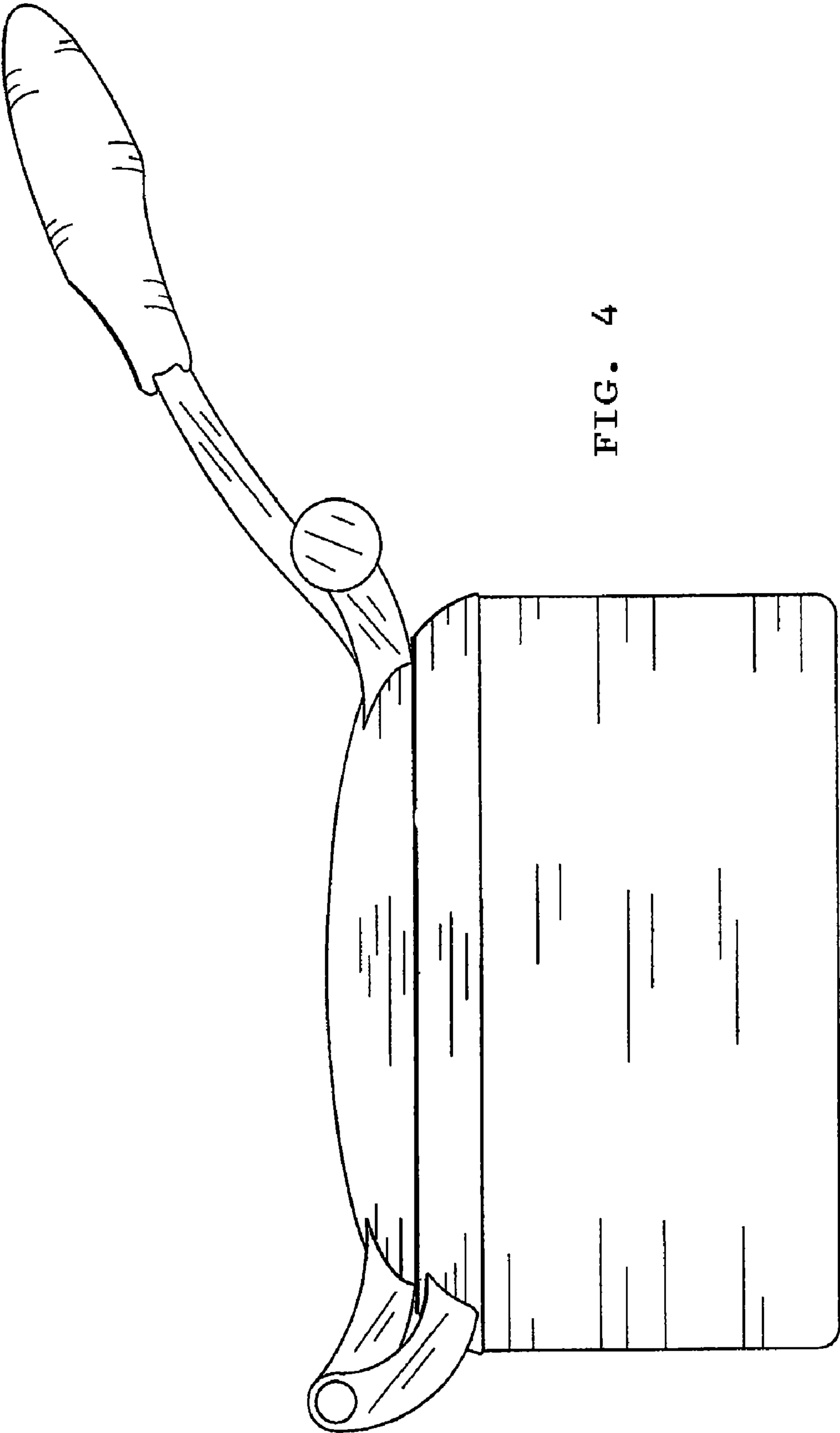


FIG. 4

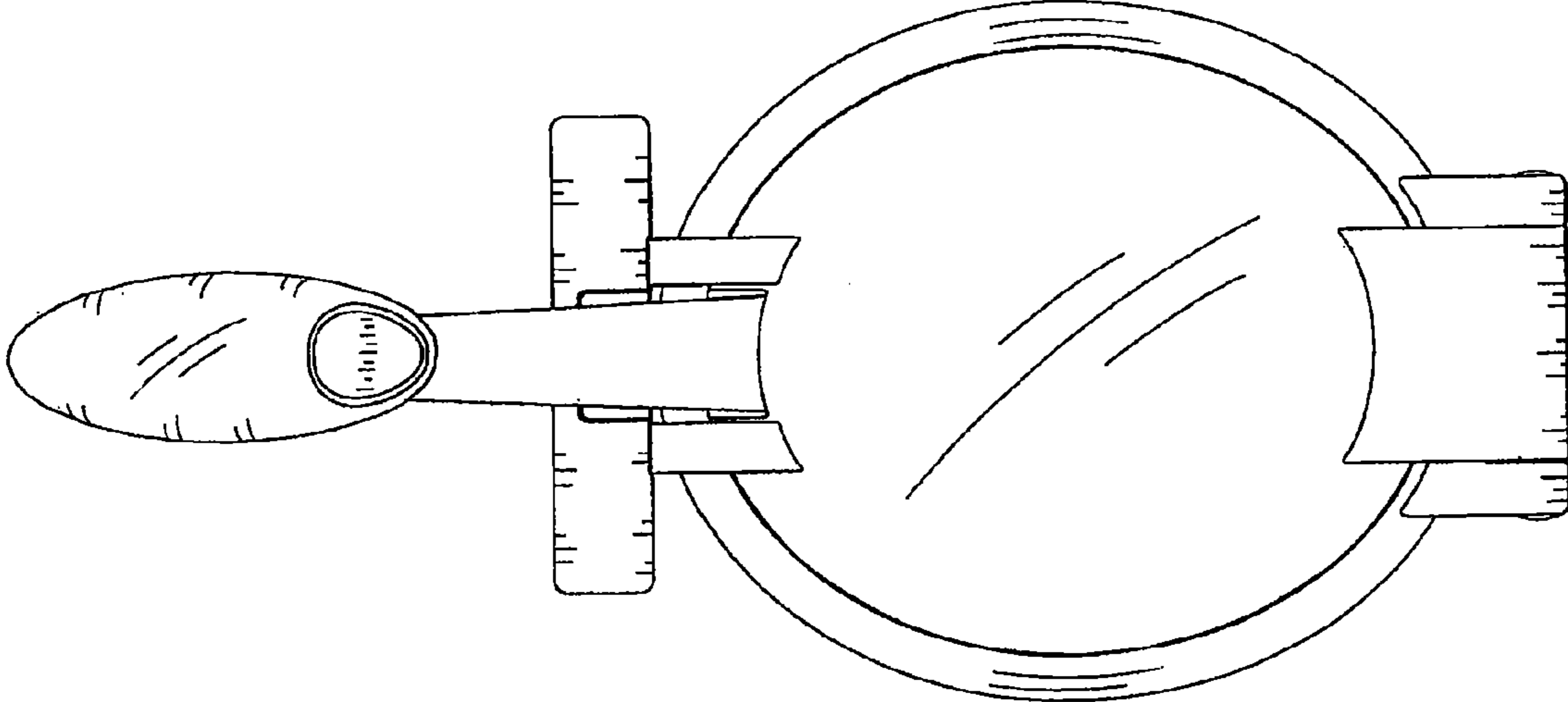


FIG. 5