



US00D612216S

(12) **United States Design Patent**
McQuary et al.

(10) **Patent No.:** **US D612,216 S**
(45) **Date of Patent:** **** Mar. 23, 2010**

(54) **KNIFE RACK**
(75) Inventors: **Richard Allen McQuary**, Spokane, WA
(US); **Jake M Culley**, Spokane, WA
(US)

(73) Assignee: **Blue Mountain Innovations, LLC**,
Spokane, WA (US)

(**) Term: **14 Years**

(21) Appl. No.: **29/335,948**

(22) Filed: **Apr. 24, 2009**

(51) **LOC (9) Cl.** **07-07**

(52) **U.S. Cl.** **D7/637**

(58) **Field of Classification Search** D7/637-641;
D8/71; 211/70.6, 70.7, 41.1, 41.2, 41.3,
211/41.7, 89.01; 248/309.4, 206.5, 37.3,
248/37.6

See application file for complete search history.

(56) **References Cited**

U.S. PATENT DOCUMENTS

2,357,646	A	9/1944	Gilbert	
2,955,789	A	10/1960	Smith	
4,082,386	A	4/1978	Beasley, Jr.	
4,294,421	A	10/1981	Kunstlicher et al.	
4,305,629	A	12/1981	Friis	
4,423,552	A	1/1984	Bourgein et al.	
4,497,412	A	2/1985	Labelle	
4,575,939	A	3/1986	Buchtel	
D296,177	S	6/1988	Nolen, Sr. et al.	
4,787,582	A	11/1988	Geleziunas	
4,825,550	A	5/1989	Pace	
4,966,339	A *	10/1990	Lu	248/37.3

D327,387	S *	6/1992	Hofer	D7/641
5,738,425	A	4/1998	Rosenberg et al.		
5,850,784	A	12/1998	Conner		
D411,718	S	6/1999	Davis et al.		
6,012,584	A	1/2000	Dawson		
6,318,567	B1	11/2001	Braley		
6,371,312	B1	4/2002	Tsuchida		
6,659,406	B2	12/2003	Tsuchida		
7,198,158	B2 *	4/2007	Kao	211/70.6
D579,728	S *	11/2008	Stokes	D7/637

* cited by examiner

Primary Examiner—Terry A Wallace

(74) *Attorney, Agent, or Firm*—Wells St. John P.S.

(57) **CLAIM**

We claim the ornamental design for a knife rack, as shown and described.

DESCRIPTION

This application claims priority from U.S. patent application Ser. No. 12/419,845, which was filed on Apr. 7, 2009 and which is incorporated by reference herein.

FIG. 1 is a front perspective view from above of a knife rack showing inventors' new design;

FIG. 2 is a front perspective view from below thereof;

FIG. 3 is a front elevational view thereof;

FIG. 4 is a rear elevational view thereof;

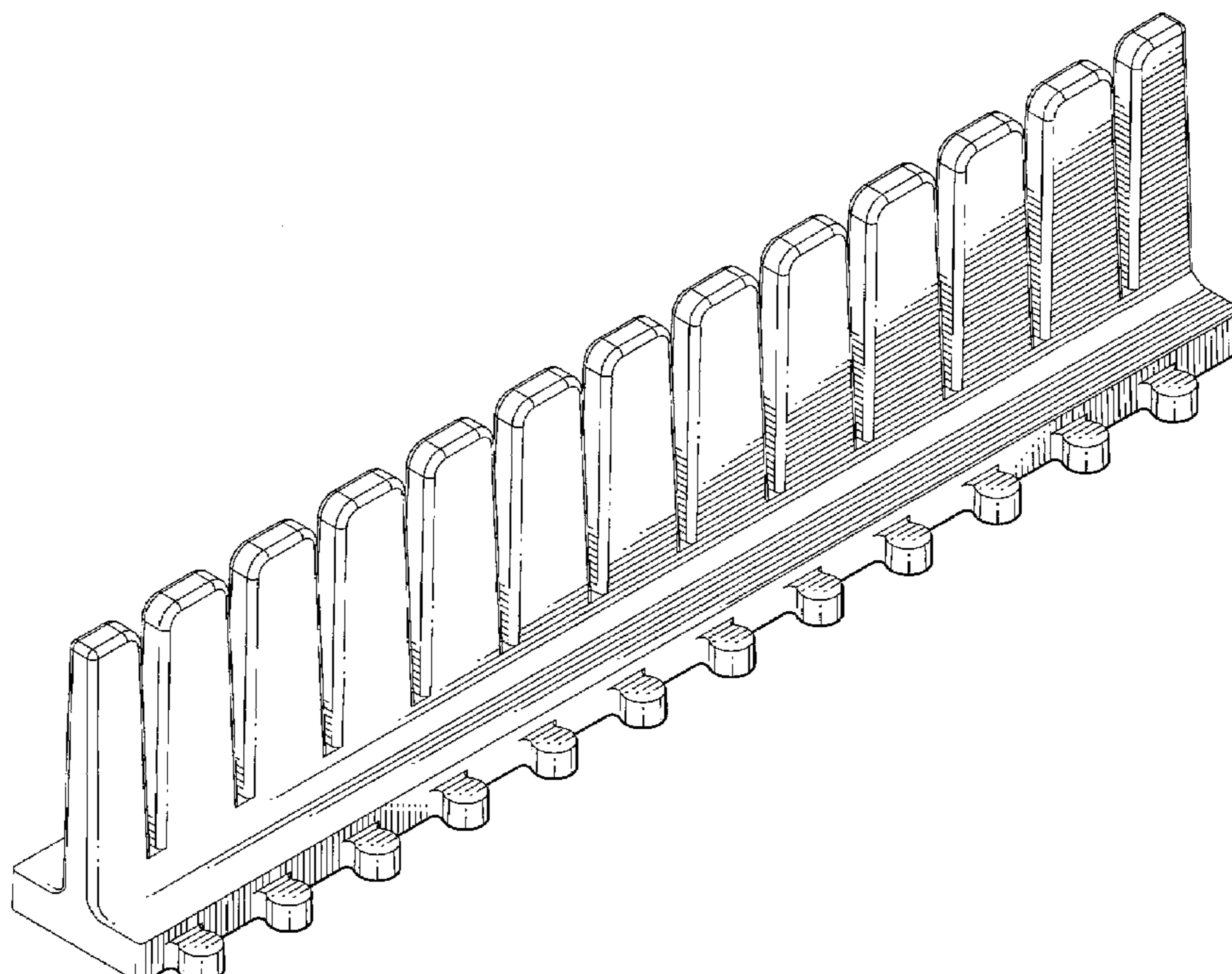
FIG. 5 is a top plan view thereof;

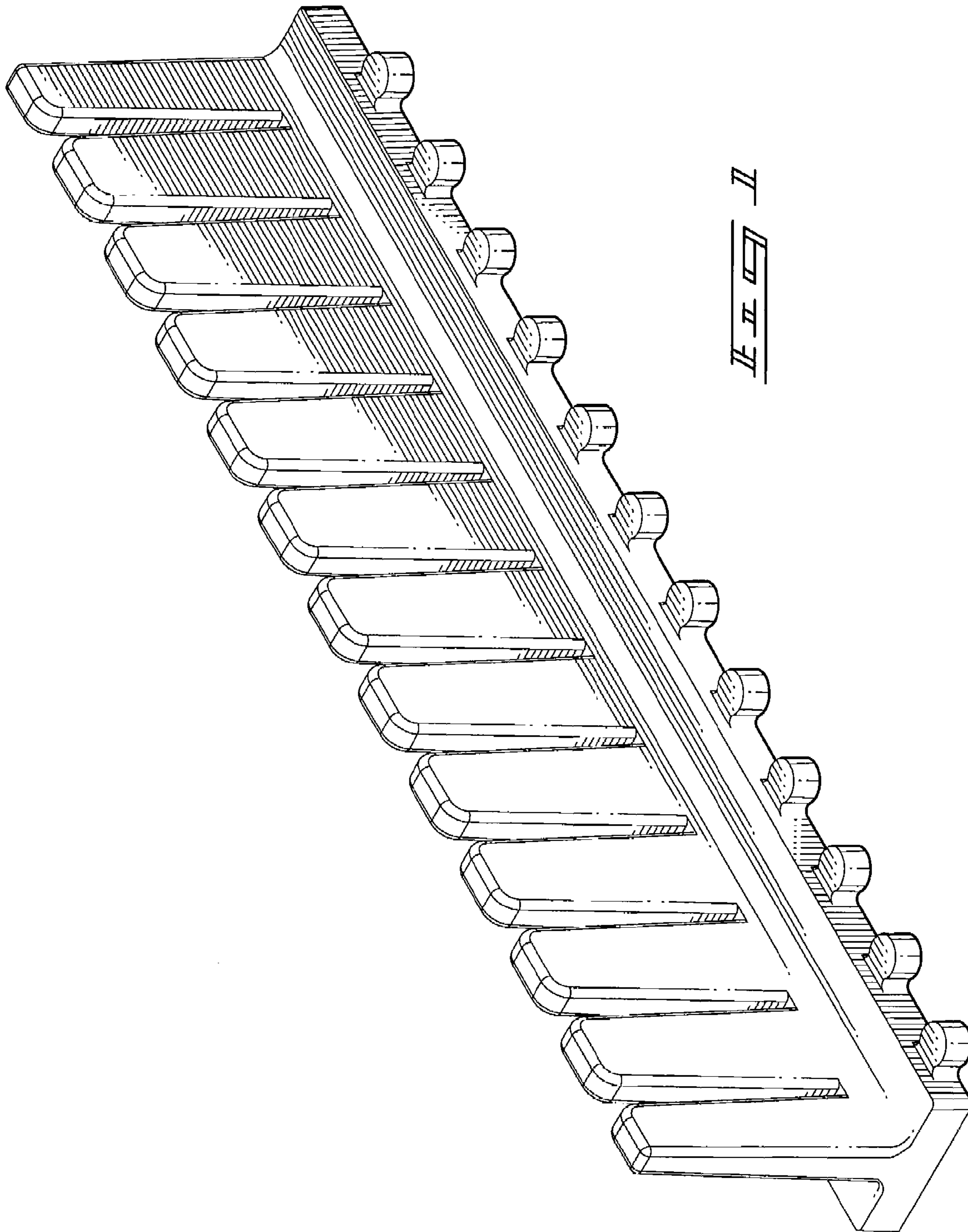
FIG. 6 is a bottom plan view thereof;

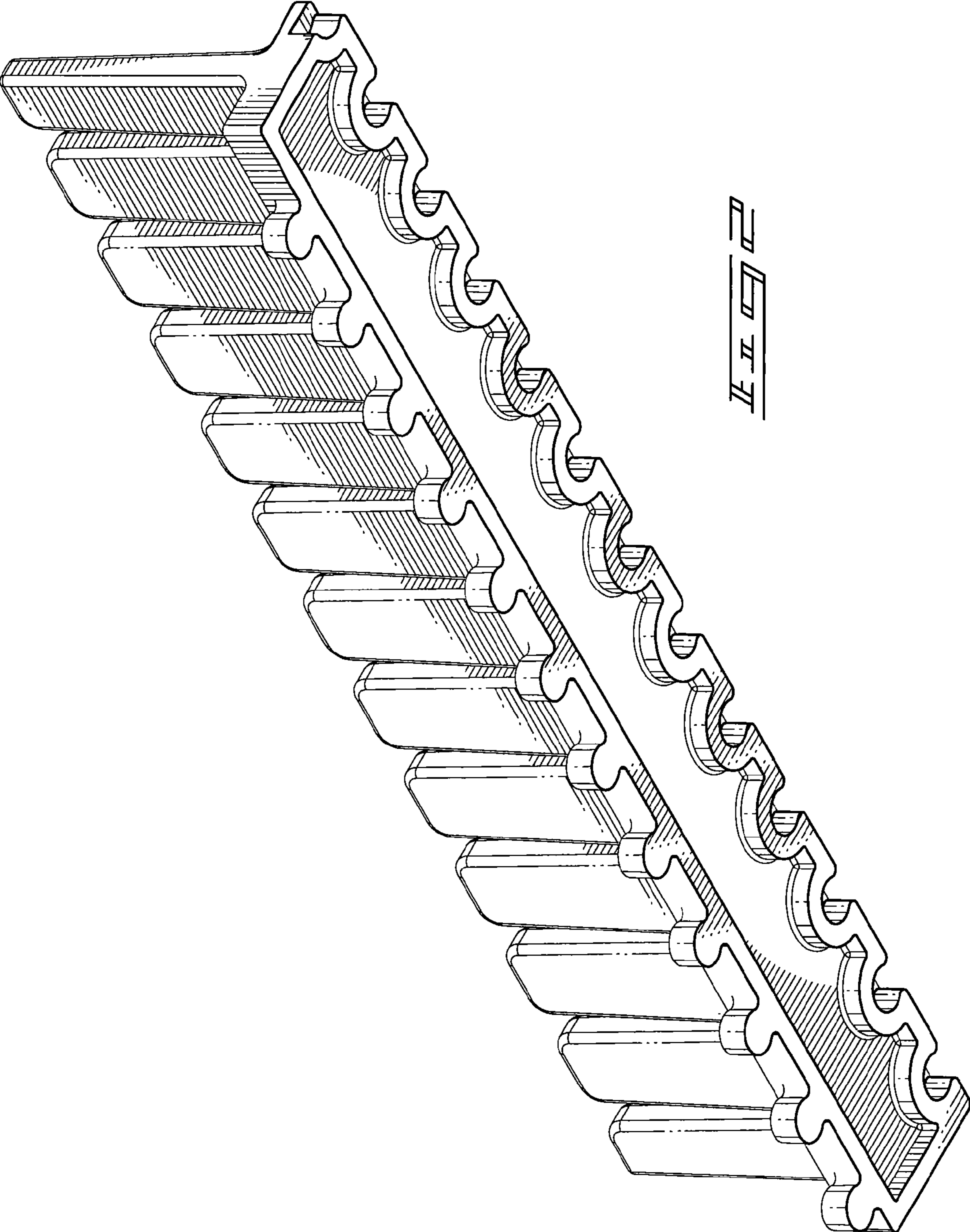
FIG. 7 is a left side elevational view thereof; and,

FIG. 8 is a right side elevational view thereof.

1 Claim, 6 Drawing Sheets







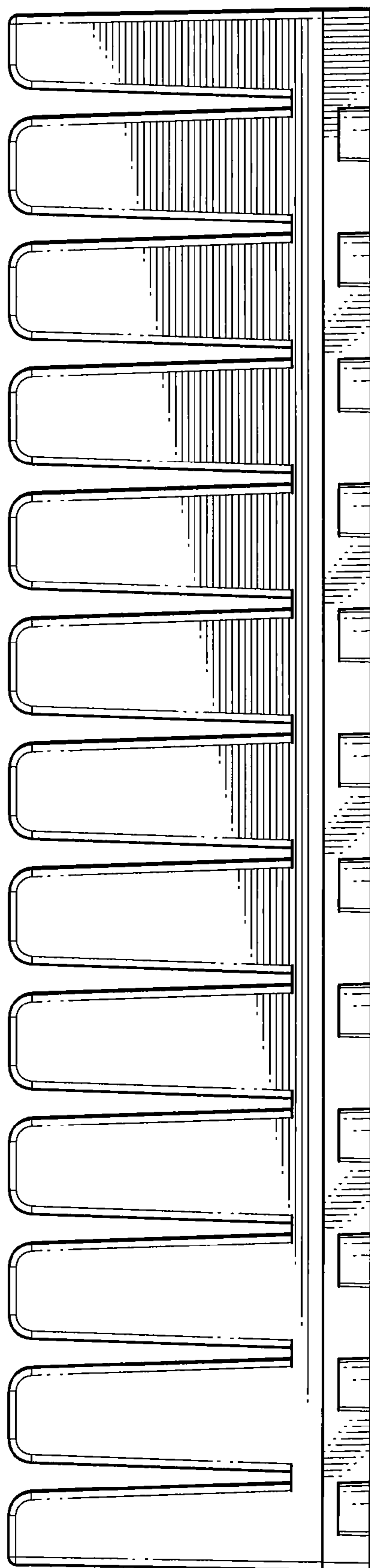


FIG. 3

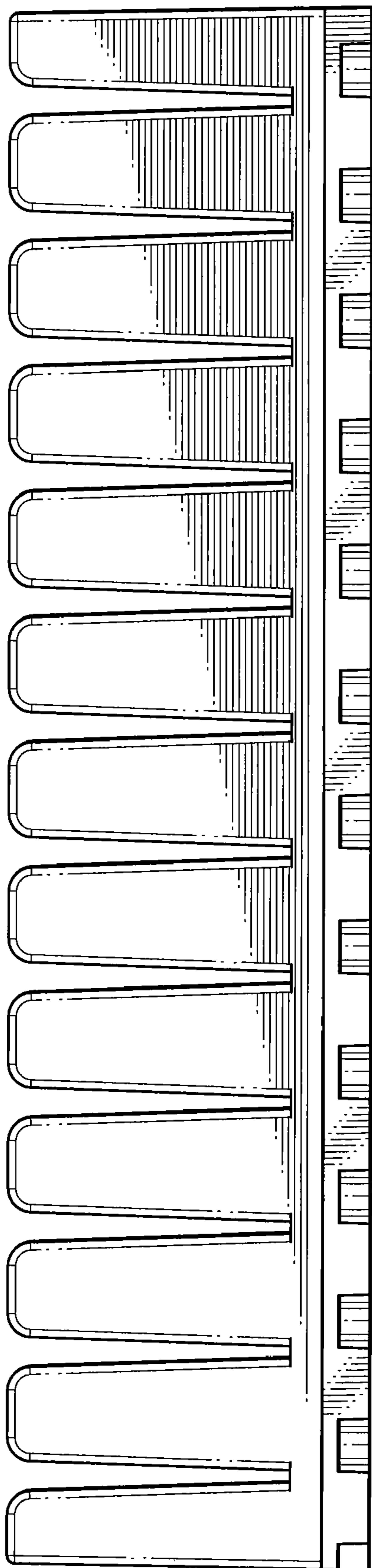


FIG. 4

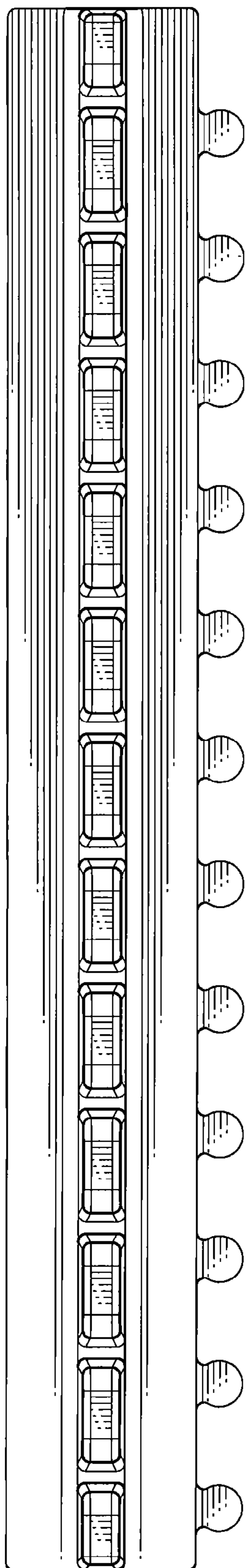


Fig. 5

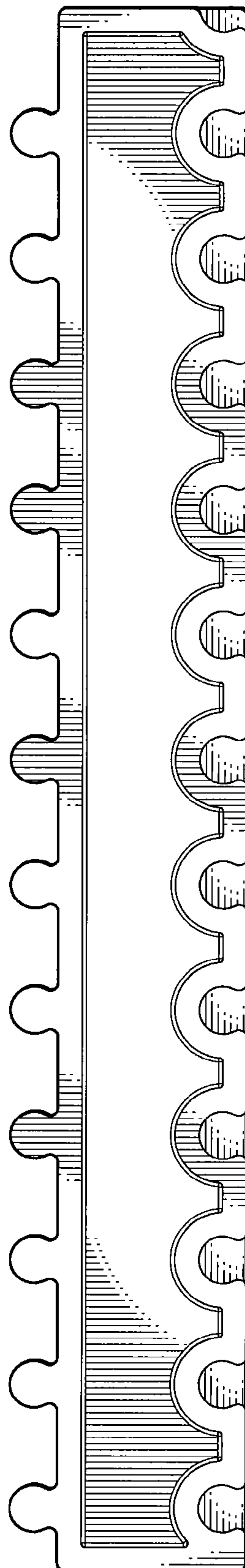


Fig. 6

