



US00D612215S

(12) **United States Design Patent**
Bergen

(10) **Patent No.:** **US D612,215 S**

(45) **Date of Patent:** **** Mar. 23, 2010**

(54) **TOOTHPICK HOLDER**

D345,676 S * 4/1994 Biffle D7/619.1
D523,170 S * 6/2006 Xu D34/39

(76) Inventor: **Donald E. Bergen**, 735 E. Lincoln,
Alcoa, TN (US) 37701

* cited by examiner

(**) Term: **14 Years**

Primary Examiner—Terry A Wallace

(21) Appl. No.: **29/338,749**

(74) *Attorney, Agent, or Firm*—QuickPatents, Inc.; Kevin Prince

(22) Filed: **Jun. 17, 2009**

(57) **CLAIM**

(51) **LOC (9) Cl.** **07-99**

I claim the ornamental design for a toothpick holder, as shown and described.

(52) **U.S. Cl.** **D7/636**

(58) **Field of Classification Search** D7/635,
D7/636; 221/215, 203, 288, 106, 196, 200,
221/281, 312 R; D34/39; D9/633

DESCRIPTION

See application file for complete search history.

FIG. 1 is a perspective view of a toothpick holder, showing my new design;

(56) **References Cited**

FIG. 2 is a front elevational view thereof, the rear, left-side and right-side elevational views all being a mirror image thereof;

U.S. PATENT DOCUMENTS

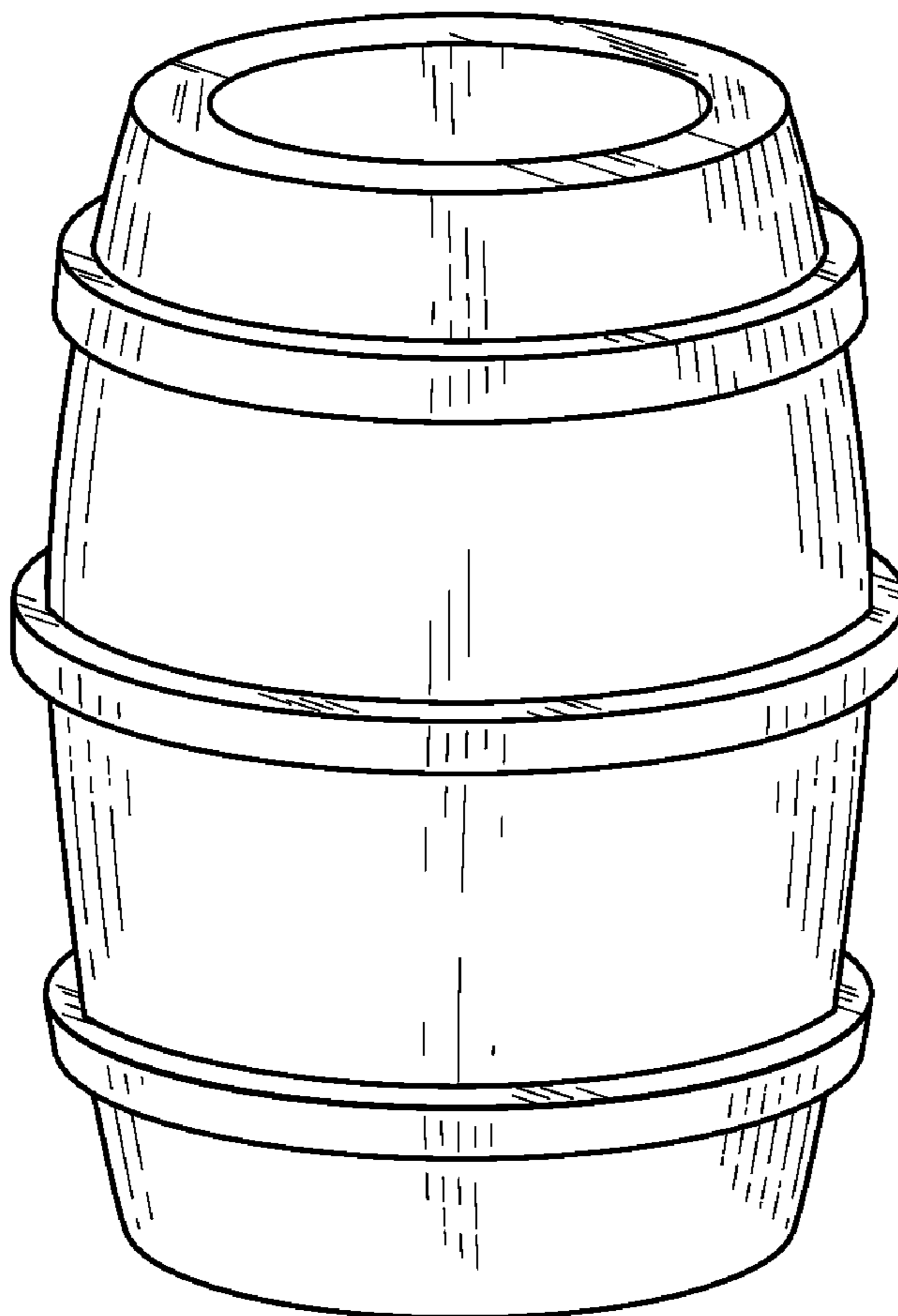
FIG. 3 is a top plan view thereof;

- D180,981 S * 9/1957 Williams D7/635
- D293,062 S * 12/1987 Levine D7/635
- D307,996 S * 5/1990 DeMars D7/507
- D309,847 S * 8/1990 Scheurer D7/606
- D335,744 S * 5/1993 Small et al. D34/39
- D342,392 S * 12/1993 Mujica D6/434

FIG. 4 is a bottom plan view thereof; and,

FIG. 5 is a cross-sectional view thereof, taken generally along lines 5—5 of FIG. 3.

1 Claim, 2 Drawing Sheets



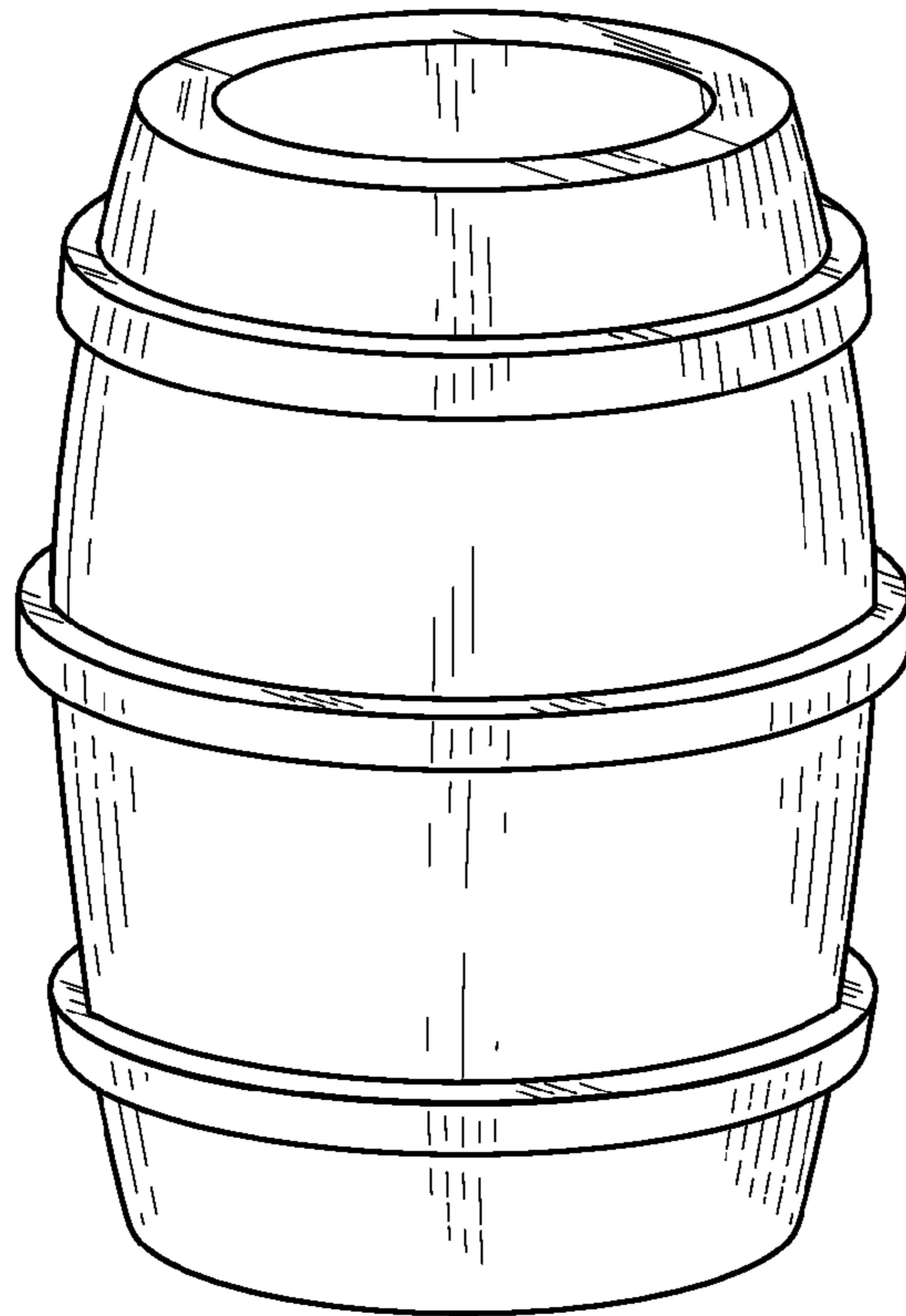


FIG. 1

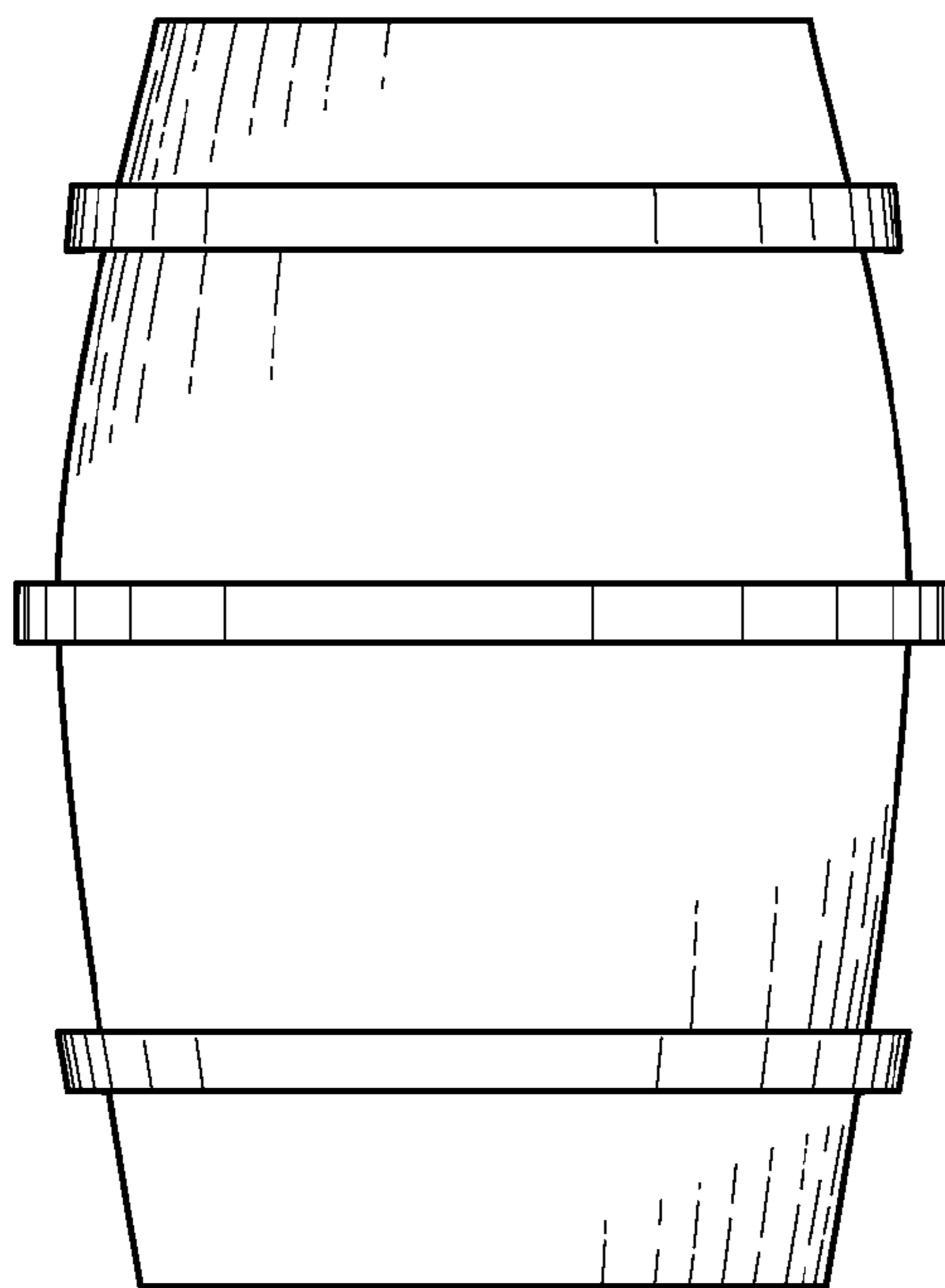


FIG. 2

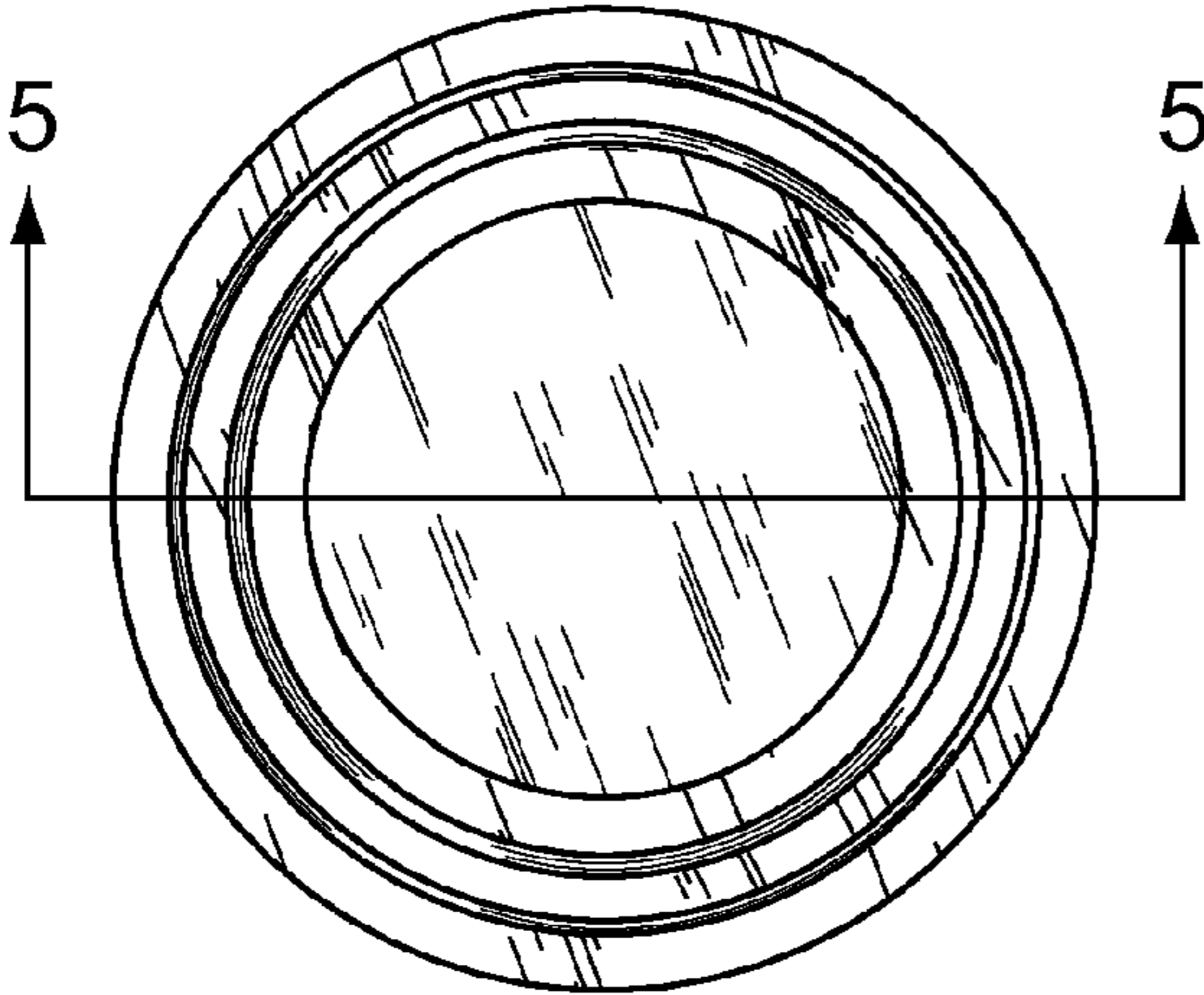


FIG. 3

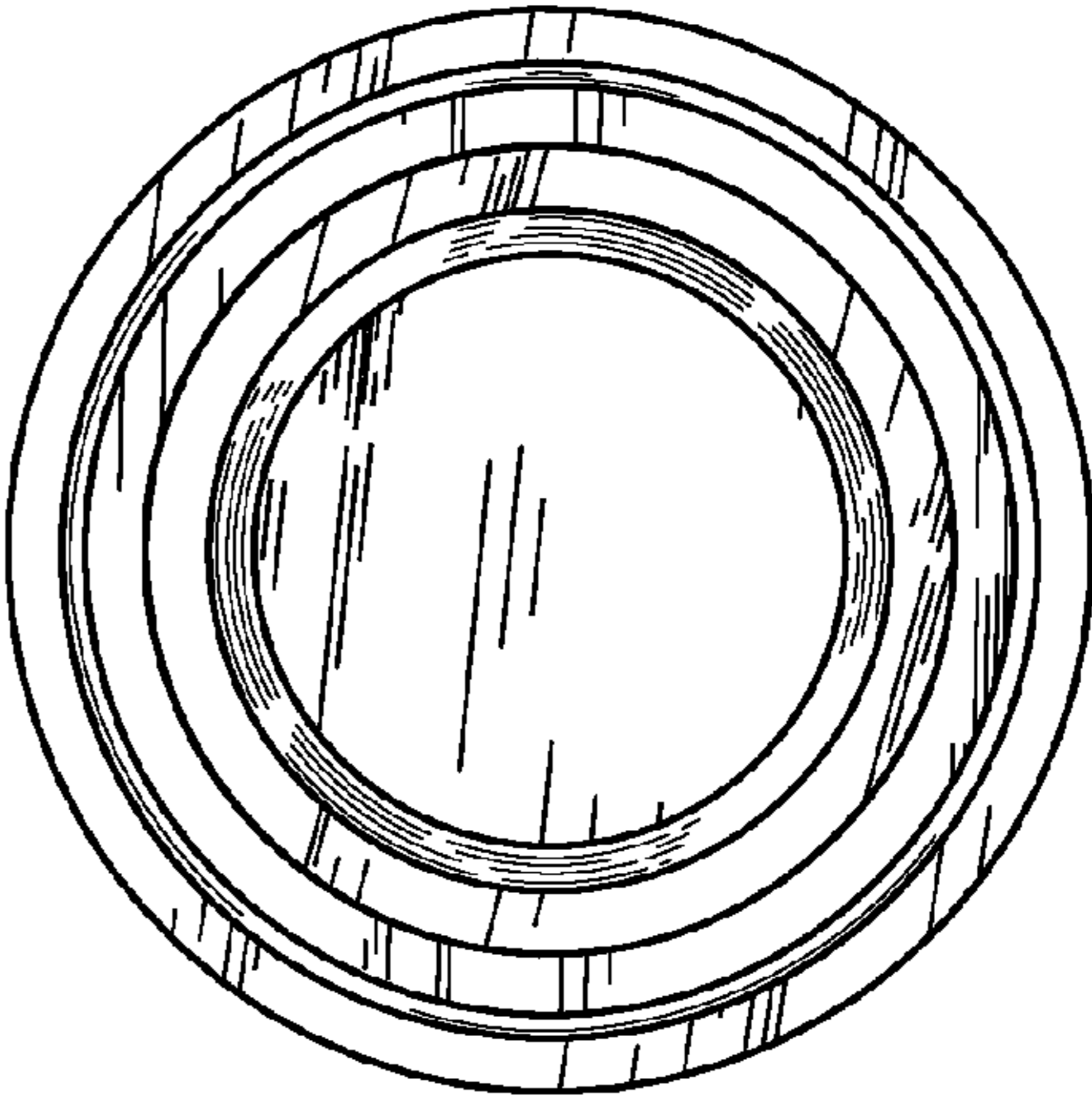


FIG. 4

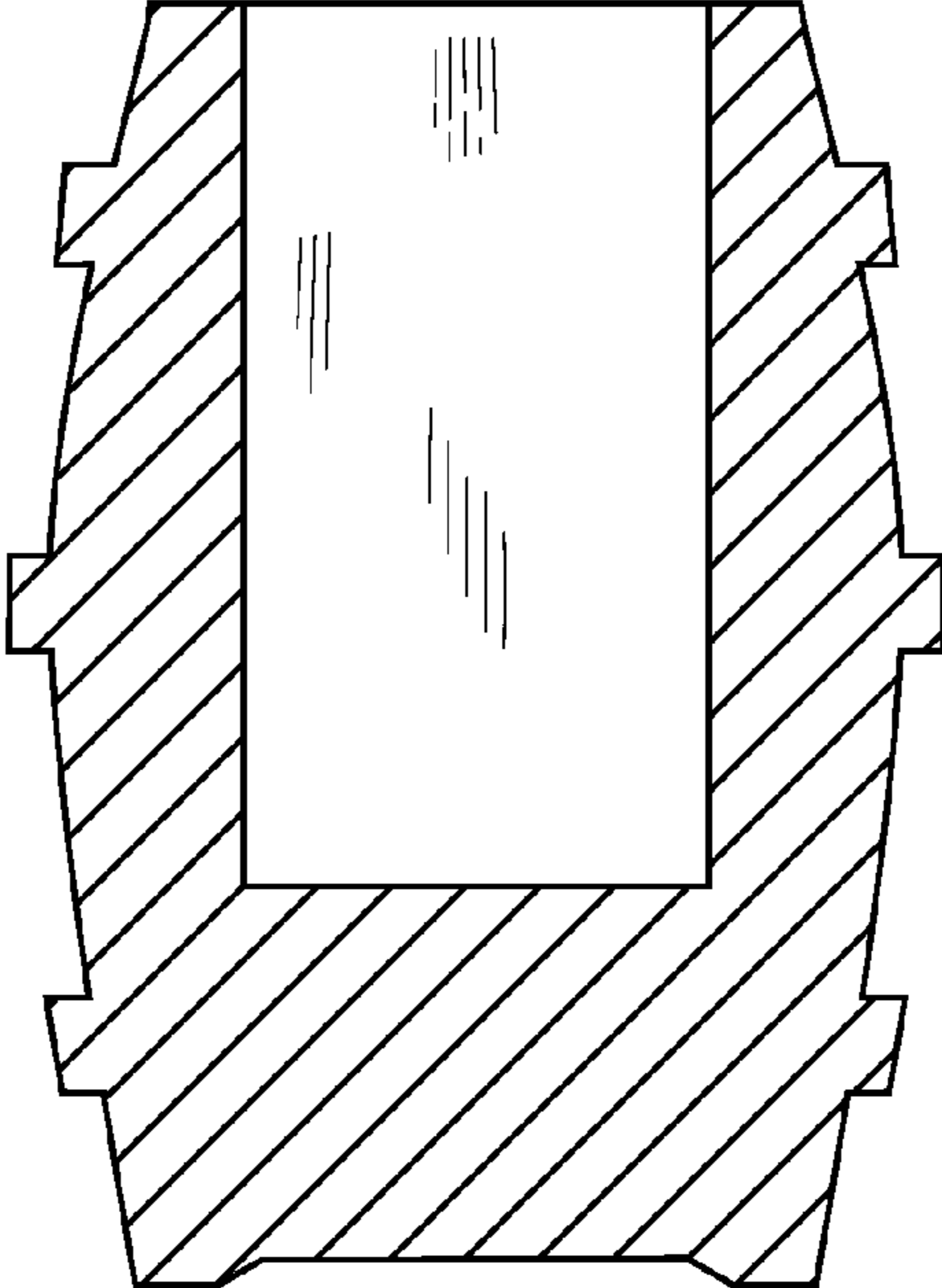


FIG. 5