



US00D612212S

(12) **United States Design Patent**
Guyot

(10) **Patent No.:** **US D612,212 S**
(45) **Date of Patent:** **** Mar. 23, 2010**

(54) **FLEXIBLE BOWL**

(76) **Inventor:** **Joshua Numa Guyot**, Guyot Designs,
LLC, 9 Church St., Deer Isle, ME (US)
04627

(**) **Term:** **14 Years**

(21) **Appl. No.:** **29/327,237**

(22) **Filed:** **Nov. 3, 2008**

(51) **LOC (9) Cl.** **07-01**

(52) **U.S. Cl.** **D7/584**

(58) **Field of Classification Search** D7/300,
D7/300.1, 312, 316, 318, 354, 356, 360, 376,
D7/380, 392.1, 394, 396.2, 396.6, 397, 500,
D7/501, 503, 505, 507, 523, 532, 535, 538,
D7/540-555, 557, 558, 560-562, 565, 566,
D7/570-571, 584-588, 601-602, 611, 624.1,
D7/629-630, 642, 669, 682-383, 686, 688,
D7/701; D6/339, 406.1-406.6, 419, 429,
D6/430; D9/340, 414-418, 420, 422-426,
D9/428-433, 456-457, 499, 500, 502, 655-657,
D9/702-703, 737, 749, 755, 761, 769, 772,
D9/901, 902; D11/152, 154, 155, 156; D12/133,
D12/416, 419, 426.1; D14/157, 447, 457;
D19/35; D24/132, 216, 220, 221, 224, 227;
D26/121; D30/123, 129-130; 220/23.83,
220/212, 506, 555, 560, 561, 574-575, 577,
220/657; 206/561, 565; 425/459, 623; 426/106,
426/119, 120, 127

See application file for complete search history.

(56) **References Cited**

U.S. PATENT DOCUMENTS

D35,477 S * 12/1901 Gnuchtel D7/300

D35,676 S * 2/1902 Eustis D28/91
D56,744 S * 12/1920 French D7/584
D56,761 S * 12/1920 Miller D30/129
D96,504 S * 8/1935 Rantsch D7/354
3,773,212 A * 11/1973 Sekuler 220/575
D304,275 S * 10/1989 Kiefer D7/584
D366,085 S * 1/1996 Millington et al. D21/686
D376,954 S * 12/1996 Burns et al. D7/560
D478,531 S * 8/2003 Abbud et al. D11/152
D480,262 S * 10/2003 Smekh D7/360
2008/0314326 A1 * 12/2008 Albert 119/61.56

* cited by examiner

Primary Examiner—Jeffrey D Asch
Assistant Examiner—Bridget L Eland
(74) *Attorney, Agent, or Firm*—Verrill Dana, LLP; Chris A.
Caseiro

(57) **CLAIM**

The ornamental design for a flexible bowl, as shown and
described

DESCRIPTION

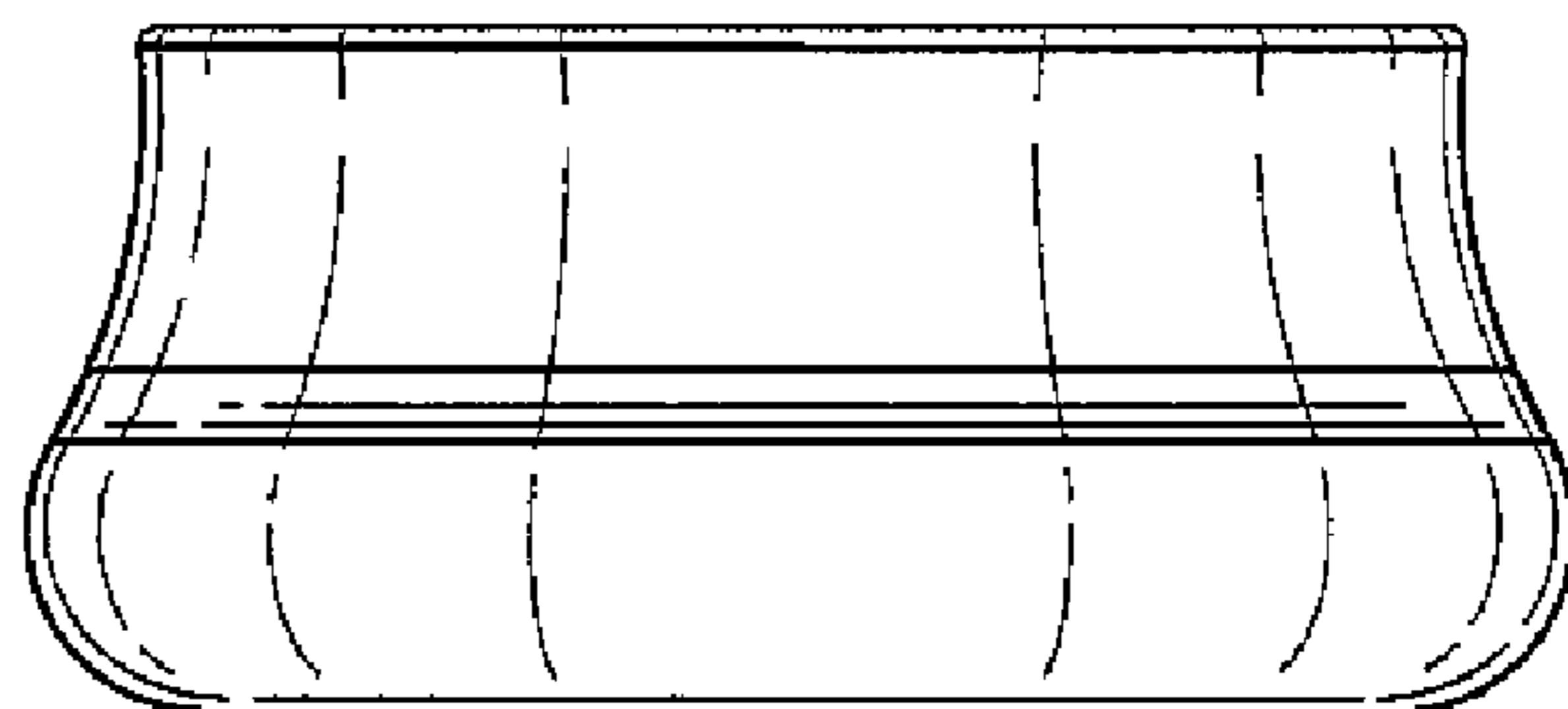
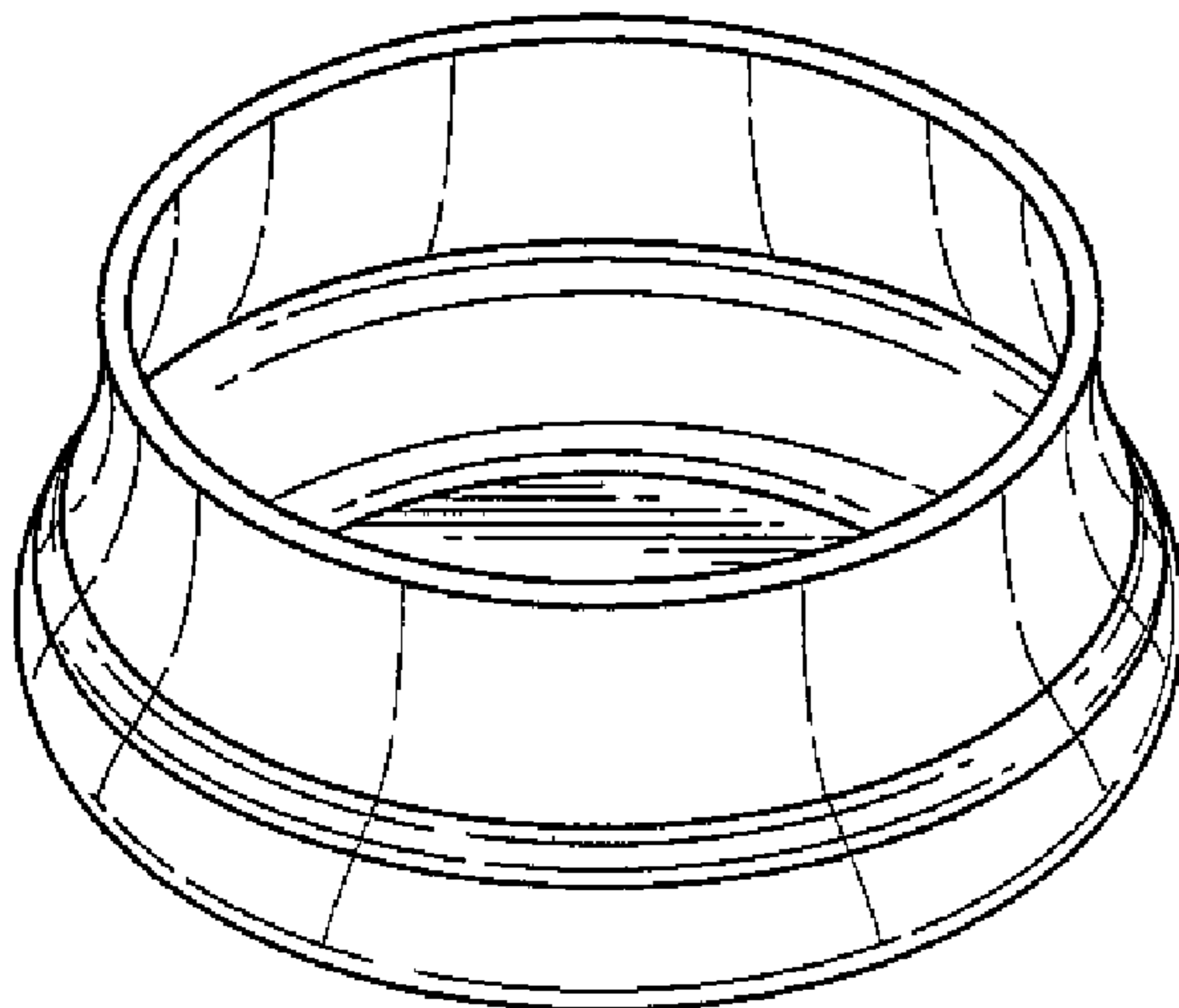
FIG. 1 is a perspective view of the flexible bowl of the present
invention according to my design;

FIG. 2 is a side elevation view thereof;

FIG. 3 is a top plan view thereof; and,

FIG. 4 is a bottom plan view thereof.

1 Claim, 1 Drawing Sheet



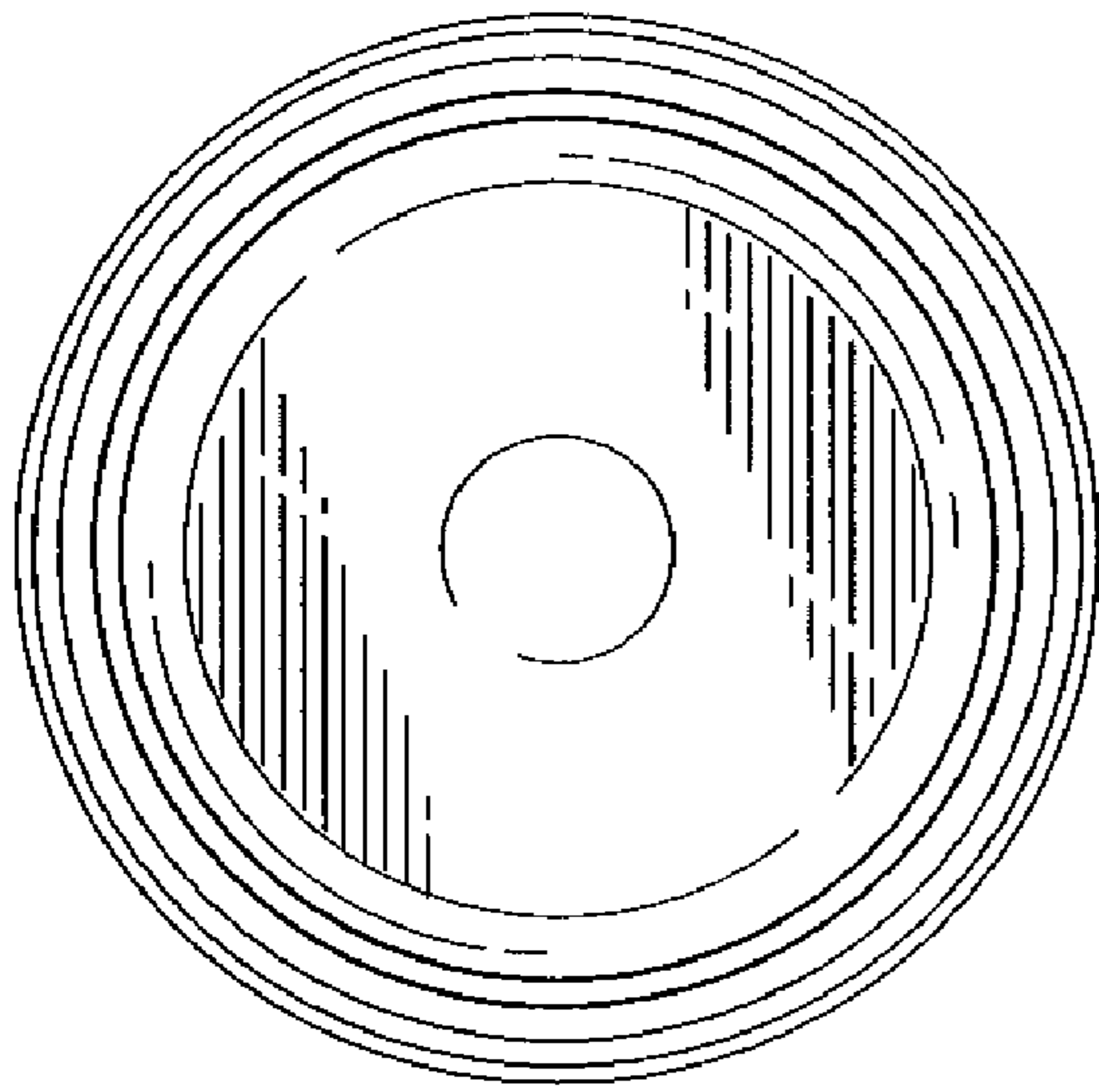


FIG. 3

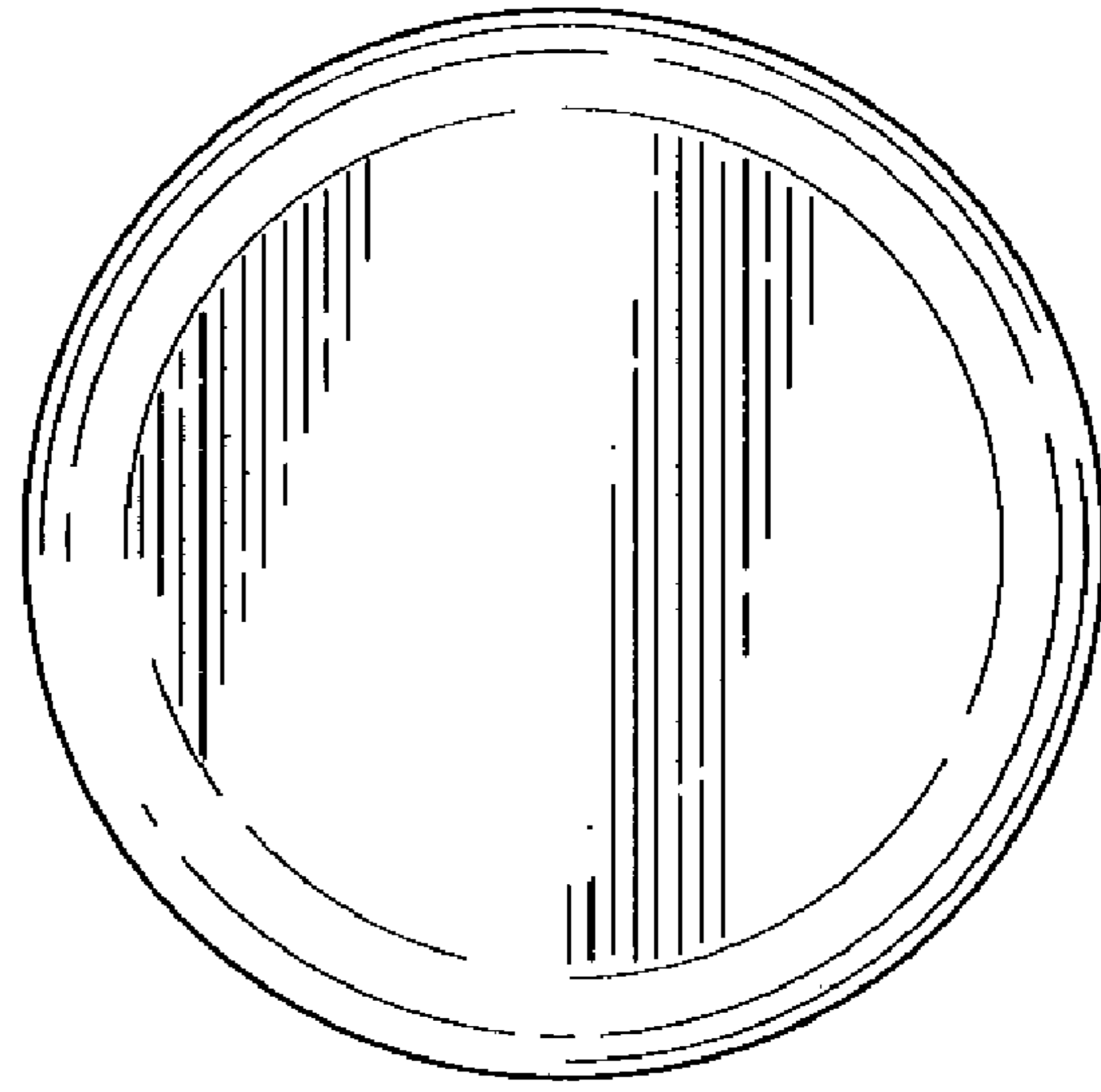


FIG. 4

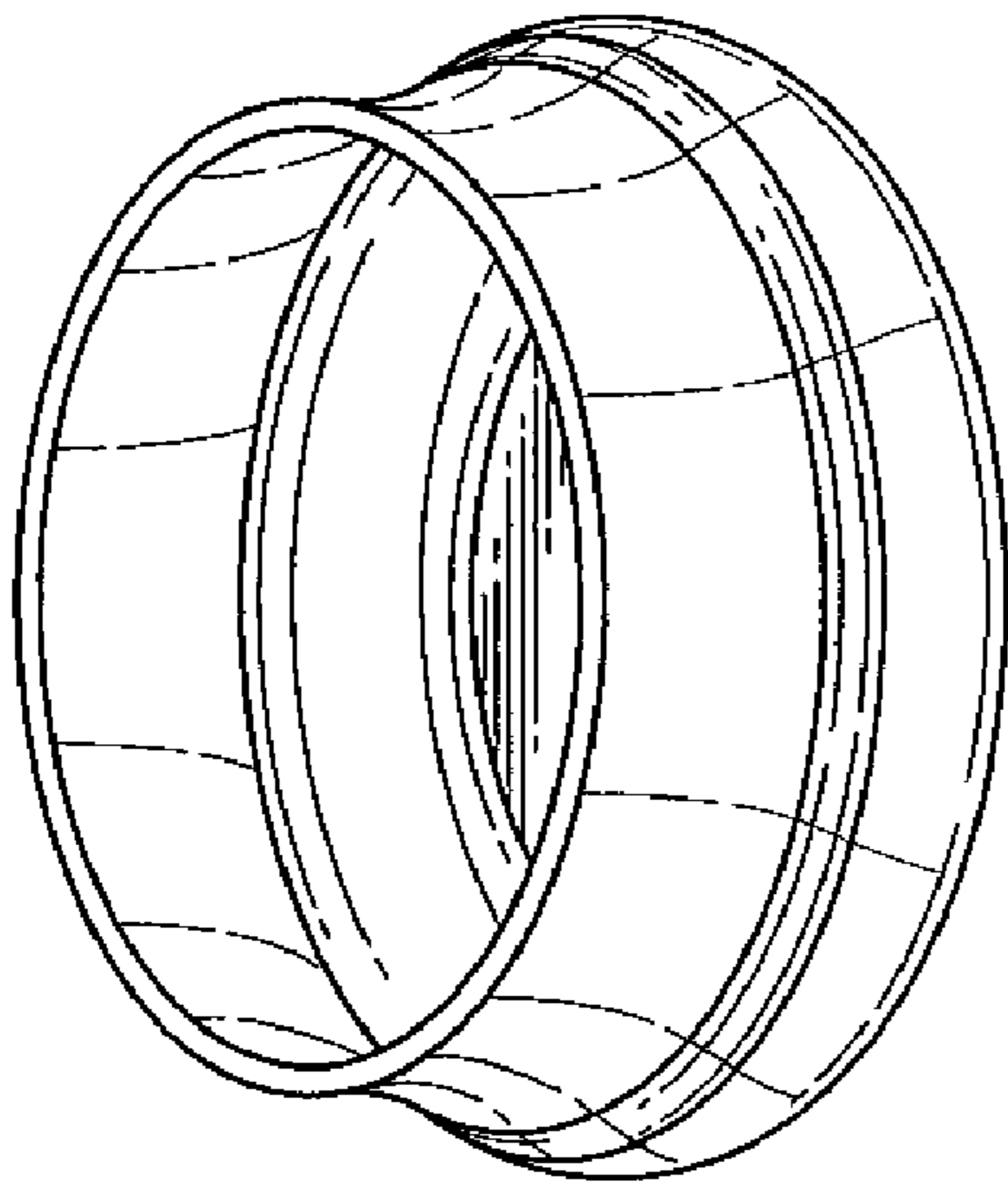


FIG. 1

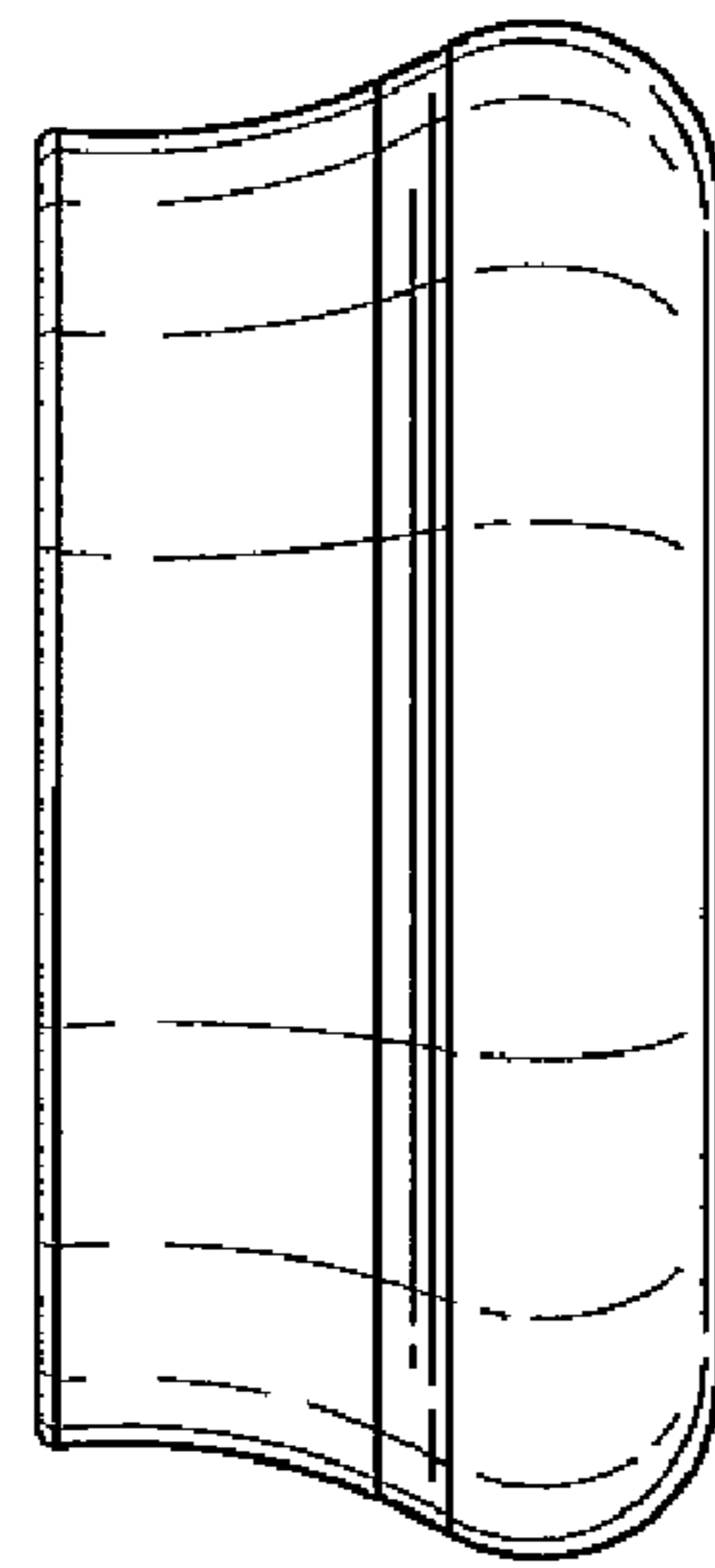


FIG. 2