



US00D612206S

(12) **United States Design Patent**
Baker et al.

(10) **Patent No.:** **US D612,206 S**
(45) **Date of Patent:** **** Mar. 23, 2010**

(54) **PORTION OF AN APPLIANCE**

(75) Inventors: **Chuck Baker**, Anderson, SC (US);
Jillian Lee, Anderson, SC (US); **Robert H. Martin**, Anderson, SC (US); **Ben Shrader**, Anderson, SC (US); **Nic Saeger**, Anderson, SC (US)

(73) Assignee: **Electrolux Home Products, Inc.**,
Cleveland, OH (US)

(**) Term: **14 Years**

(21) Appl. No.: **29/340,216**

(22) Filed: **Jul. 15, 2009**

(51) **LOC (9) Cl.** **07-02**

(52) **U.S. Cl.** **D7/402**

(58) **Field of Classification Search** D7/351,
D7/350.1, 350.3, 350.4, 402, 405, 406; 219/678,
219/756-758; 126/19 M, 275 E
See application file for complete search history.

(56) **References Cited**

U.S. PATENT DOCUMENTS

D442,820 S *	5/2001	Kim	D7/351
D522,800 S *	6/2006	Lee et al.	D7/351
D531,447 S *	11/2006	Lee et al.	D7/350.4
D532,245 S *	11/2006	Shin	D7/351
D532,645 S *	11/2006	Lee	D7/351

D533,013 S *	12/2006	Bengtson et al.	D7/351
D561,529 S *	2/2008	Suh et al.	D7/405
D576,834 S *	9/2008	Shin et al.	D7/351
D576,835 S *	9/2008	Shin et al.	D7/351
D582,211 S *	12/2008	Green	D7/405
D583,614 S *	12/2008	Chung et al.	D7/351
D585,697 S *	2/2009	Chung et al.	D7/351

* cited by examiner

Primary Examiner—Ruth McInroy

(74) *Attorney, Agent, or Firm*—Banner & Witcoff, Ltd.

(57) **CLAIM**

The ornamental design for a portion of an appliance, as shown and described.

DESCRIPTION

FIG. 1 is a front perspective view of a portion of an appliance showing our new design;

FIG. 2 is a front view thereof;

FIG. 3 is a right side view thereof;

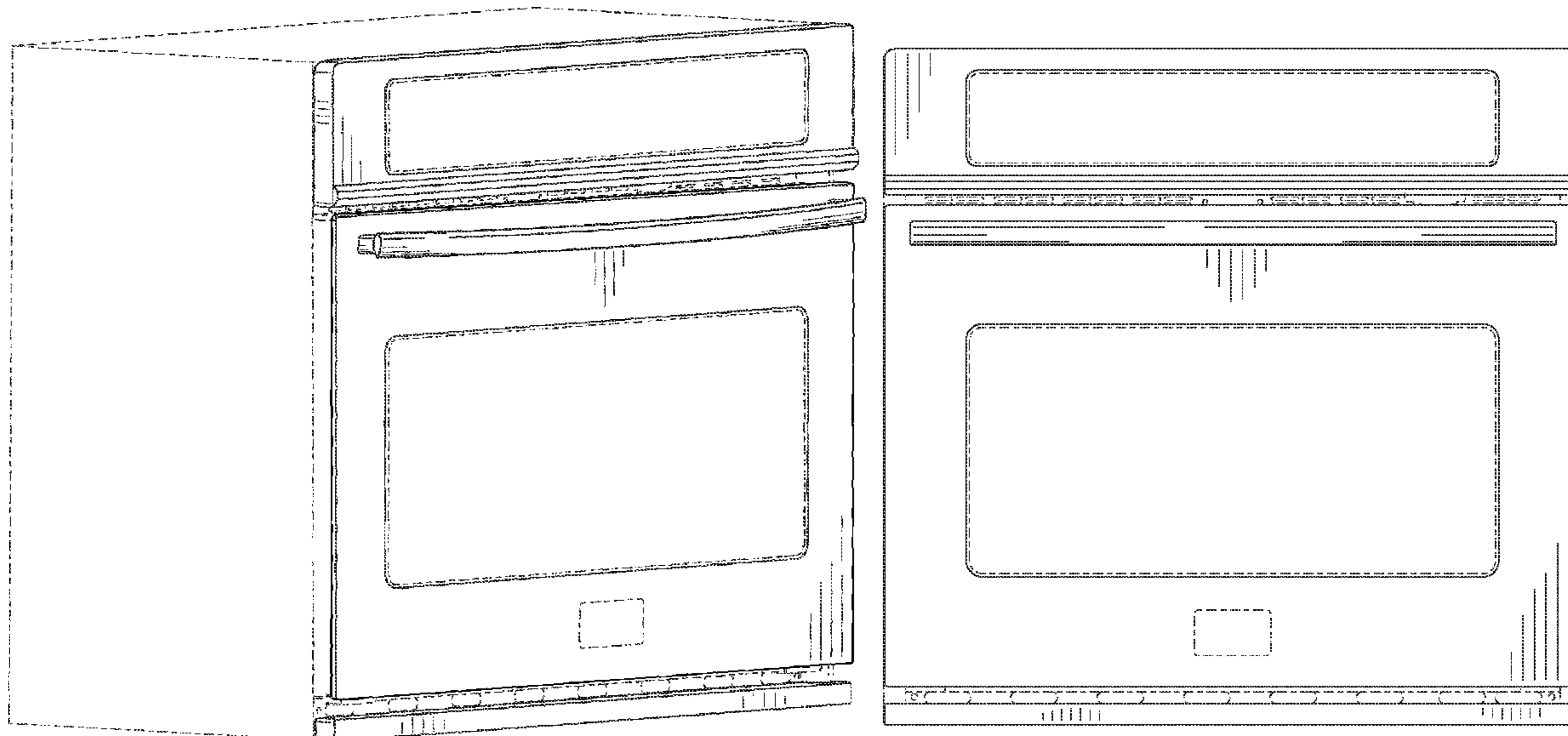
FIG. 4 is a left side view thereof;

FIG. 5 is a top view thereof; and,

FIG. 6 is a bottom view thereof.

The broken line showing of various regions, including the unshaded areas therein, is for illustrative purposes and forms no part of the claimed design.

1 Claim, 5 Drawing Sheets



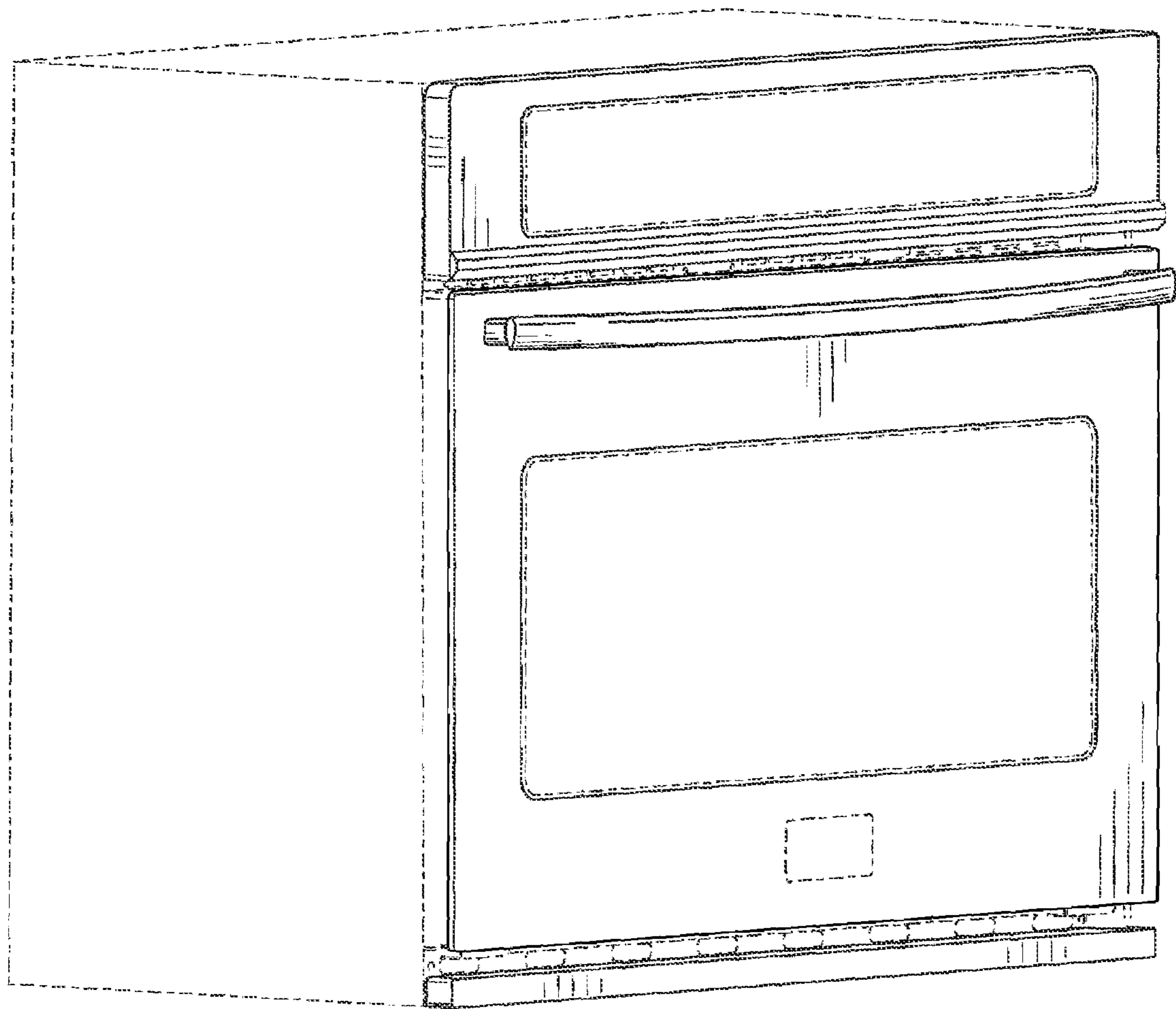


FIG. 1

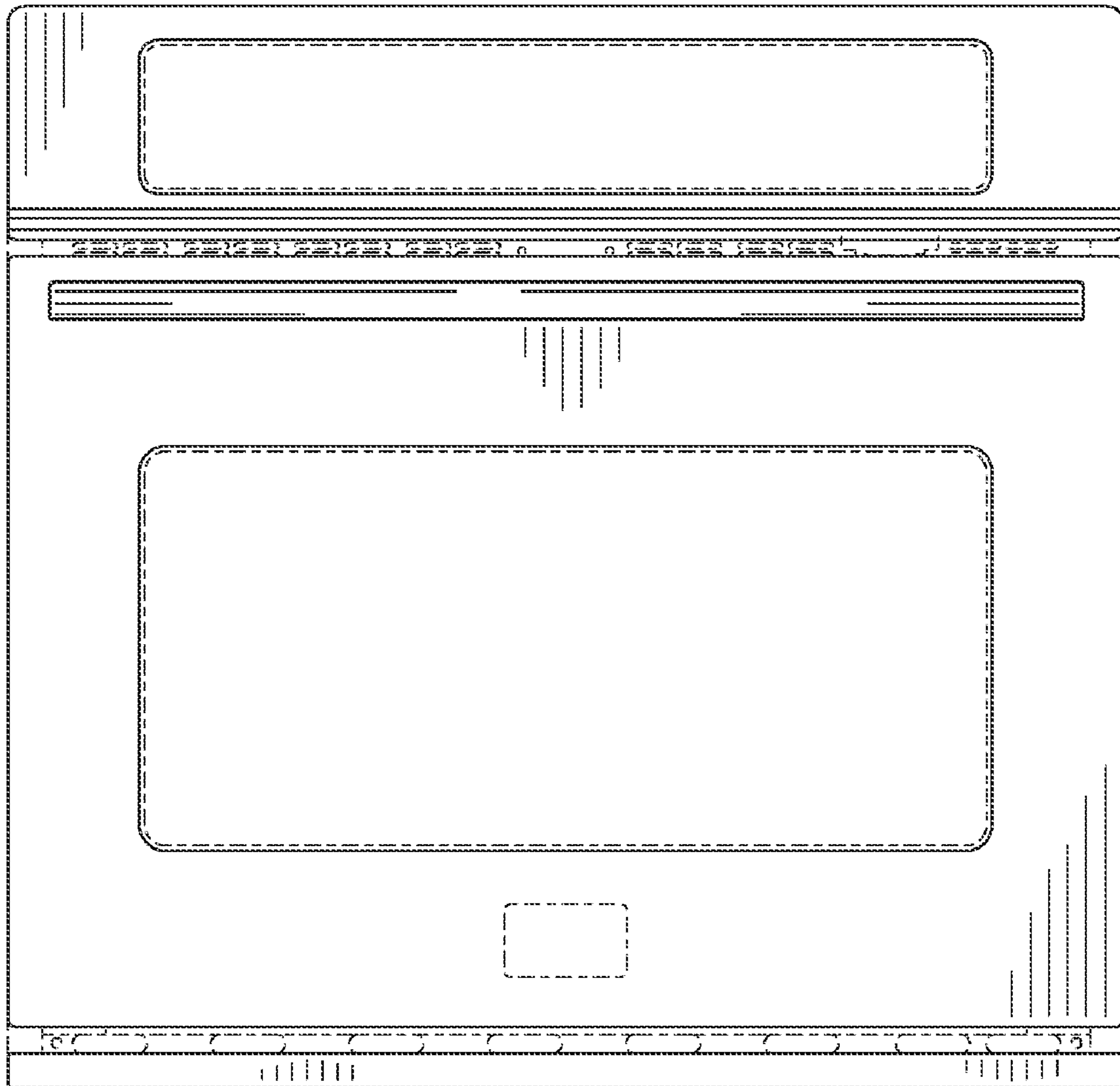


FIG. 2

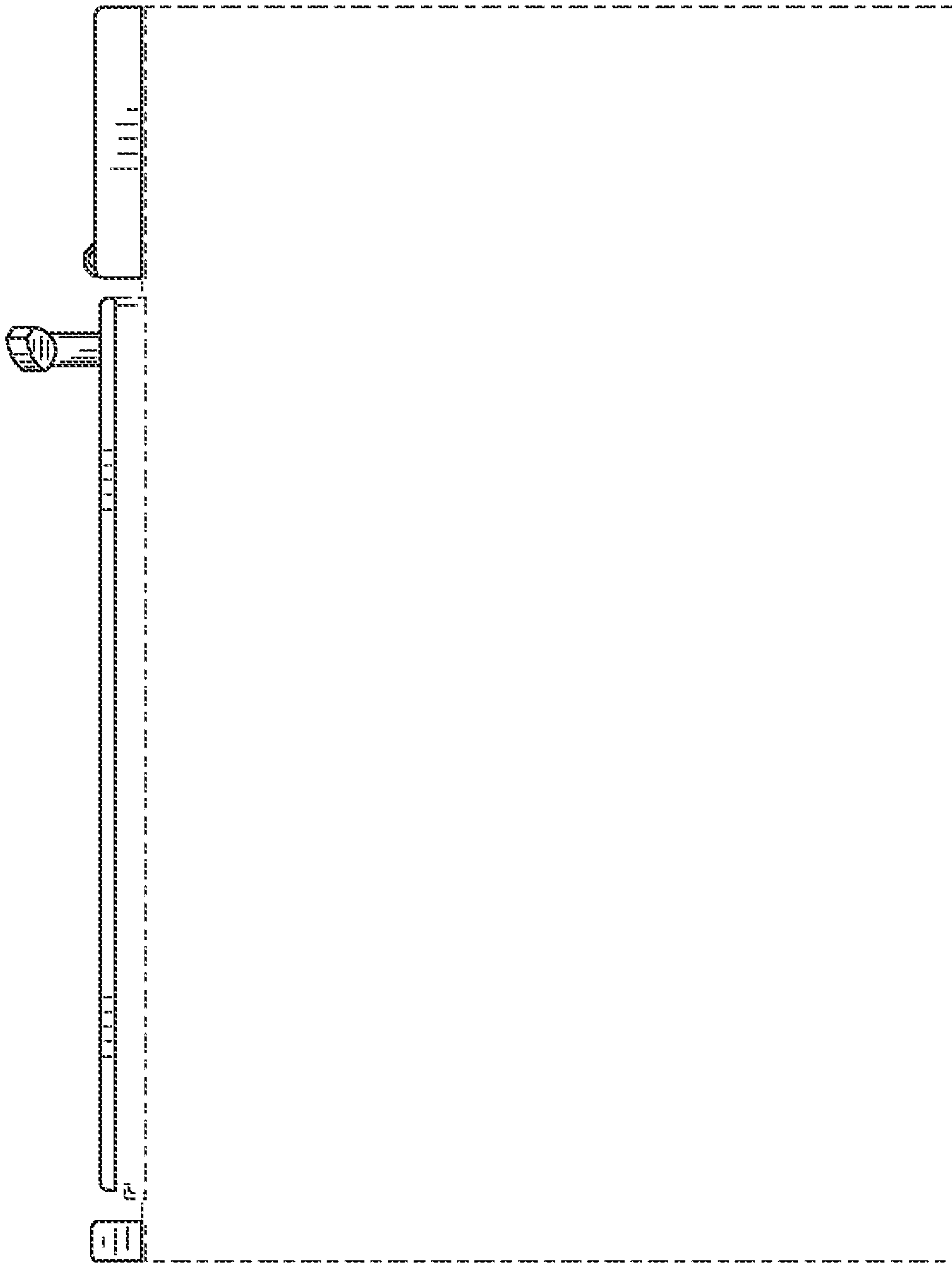


FIG. 3

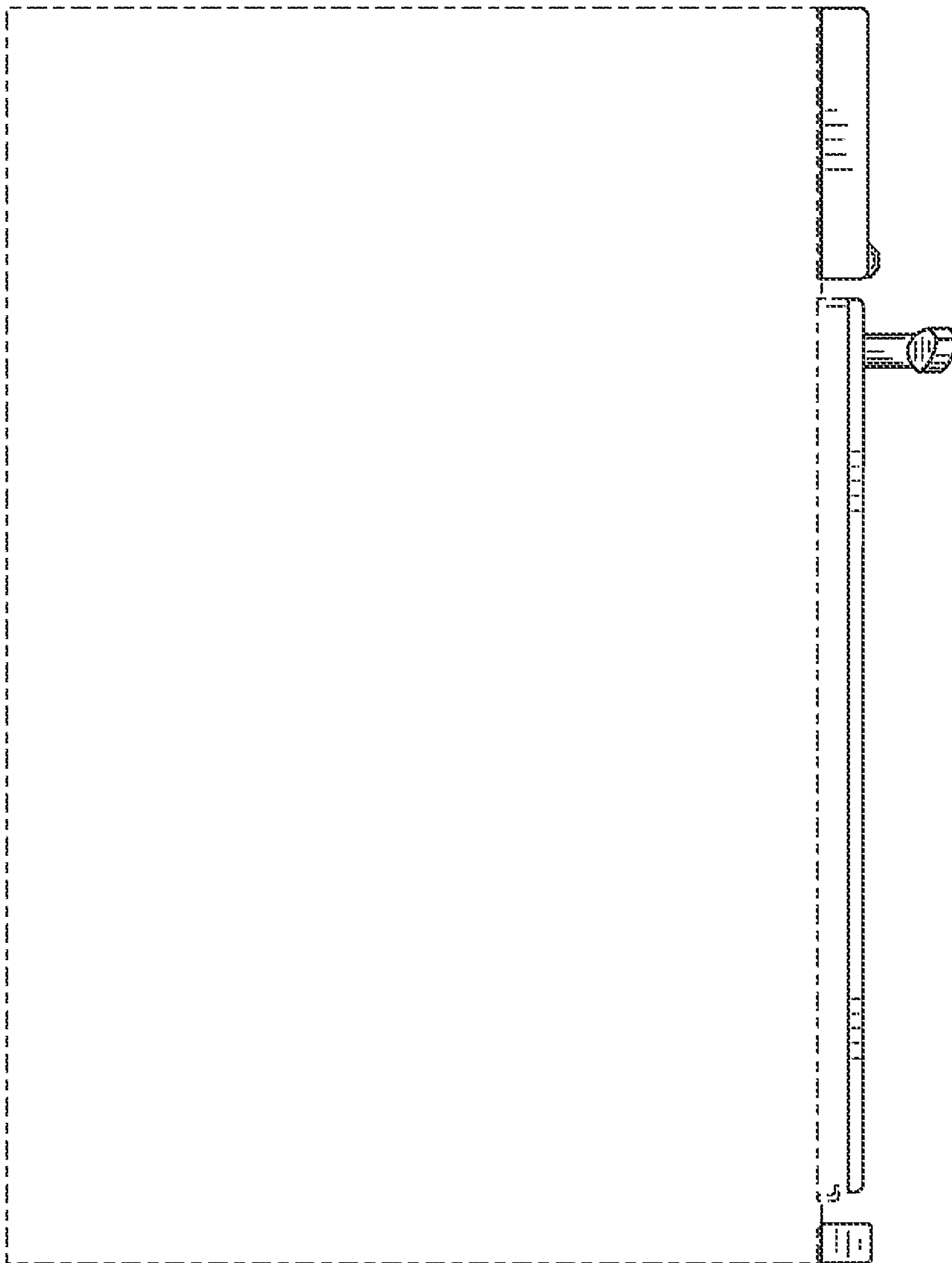


FIG. 4

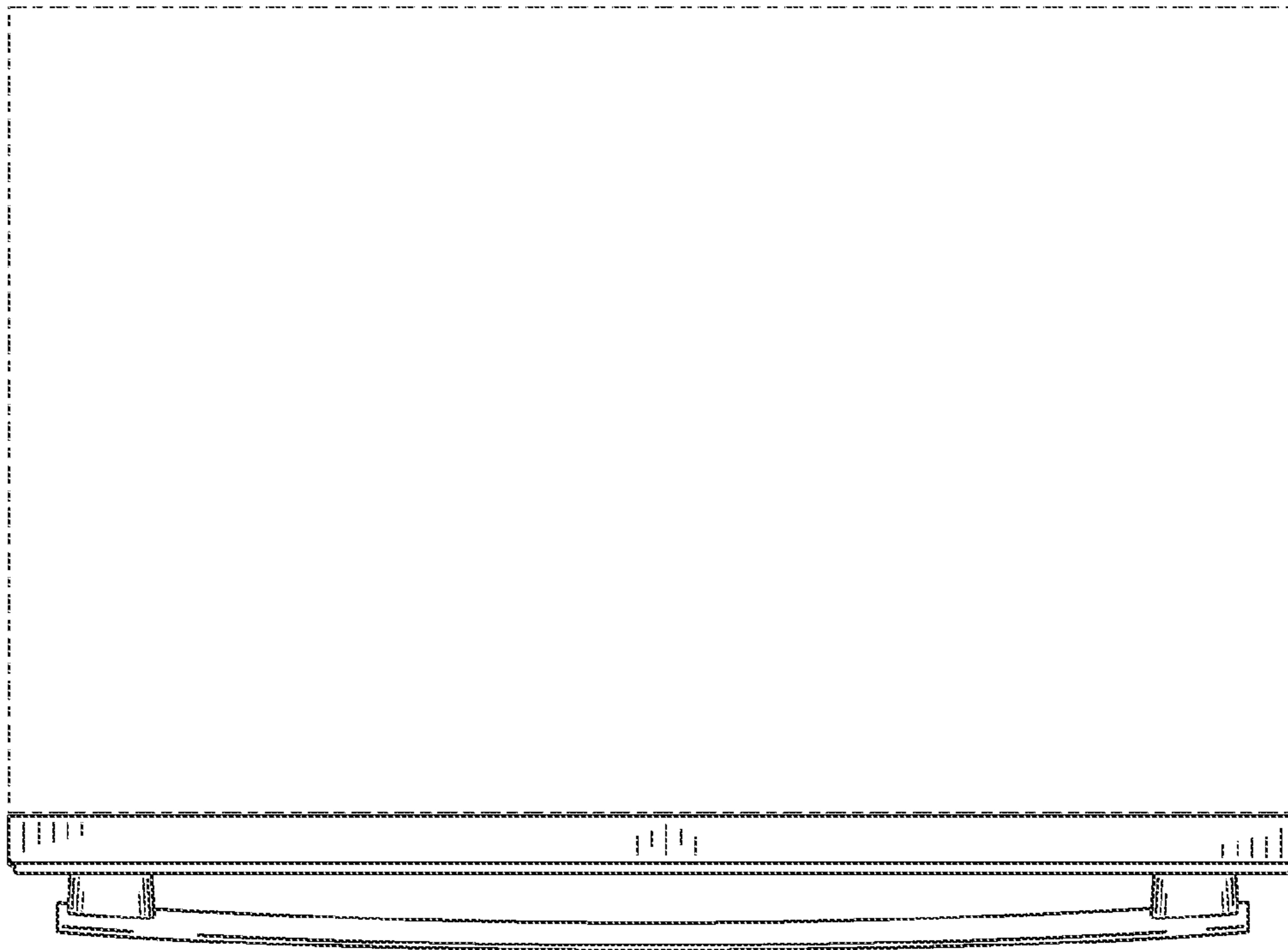


FIG. 5

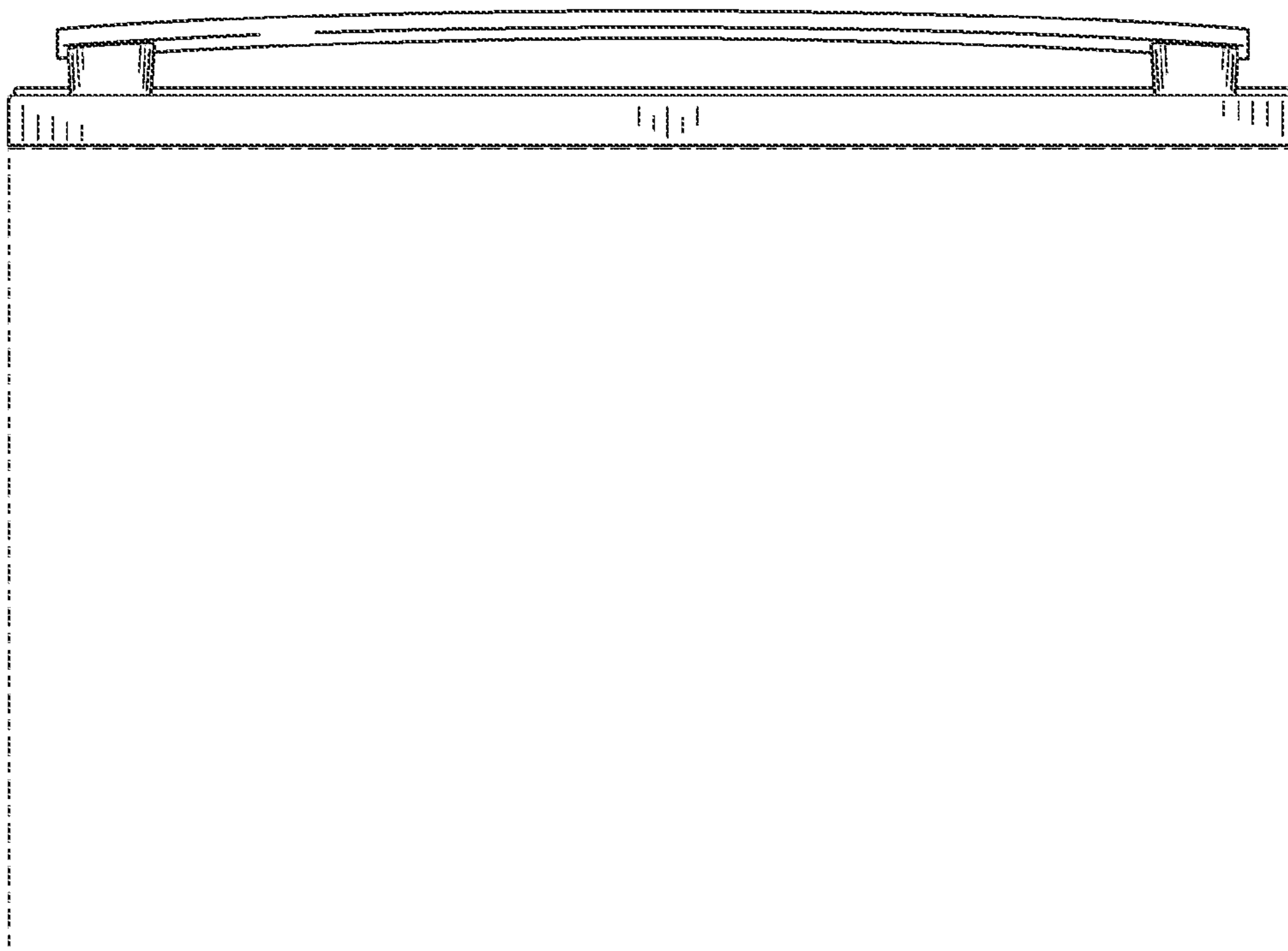


FIG. 6