



US00D612203S

(12) **United States Design Patent**
Bollin

(10) **Patent No.:** **US D612,203 S**
(45) **Date of Patent:** **** Mar. 23, 2010**

(54) **BEER TAP EXTENSION**

(76) Inventor: **Jeffery J. Bollin**, 4127 Bellevue Rd.,
Toledo, OH (US) 43613

(**) Term: **14 Years**

(21) Appl. No.: **29/340,373**

(22) Filed: **Jul. 17, 2009**

(51) **LOC (9) Cl.** **07-01**

(52) **U.S. Cl.** **D7/397; D8/14**

(58) **Field of Classification Search** D7/398,
D7/397, 403, 409, 387; D8/376, 14, 88;
D9/435; 137/317; 222/400.7, 397; 251/149.3
See application file for complete search history.

(56) **References Cited**

U.S. PATENT DOCUMENTS

322,853	A *	7/1885	Reilly et al.	251/149.5
2,032,995	A *	3/1936	Leins	222/400.7
2,083,281	A *	6/1937	Spayd	222/400.7
2,099,528	A *	11/1937	McAdams	251/149.3
2,165,605	A	7/1939	Baker		
2,466,892	A *	4/1949	Holmes	222/400.7
3,135,438	A *	6/1964	Wex et al.	222/400.7
3,167,090	A	1/1965	Booth et al		
3,344,732	A	10/1967	Von Kleydorff et al		
4,094,335	A *	6/1978	Haensch	137/317
5,188,289	A	2/1993	Pesho		
D377,699	S *	1/1997	McLaughlin	D32/46
D402,517	S *	12/1998	Gracia et al.	D8/29
D431,984	S *	10/2000	Cotillon	D8/29
6,230,767	B1	5/2001	Nelson		
7,040,359	B2	5/2006	Yunkle		
D543,415	S *	5/2007	Duranti	D7/398
D546,178	S *	7/2007	McClain	D9/435

D548,030	S *	8/2007	Hertel et al.	D8/29
D600,067	S *	9/2009	Forsyth	D7/387
7,594,489	B1 *	9/2009	Marrs	123/169 PA

FOREIGN PATENT DOCUMENTS

EP	0861801	A1	9/1998
GB	484210		5/1938

* cited by examiner

Primary Examiner—Marianne Pandozzi

(74) *Attorney, Agent, or Firm*—David D. Murray; Vivacqua Law, PLLC

(57) **CLAIM**

The ornamental design for a beer tap extension, as shown.

DESCRIPTION

FIG. 1 is a perspective view of a beer tap extension according to the present invention;

FIG. 2 is a front, elevational view of a beer tap extension according to the present invention;

FIG. 3 is a bottom, plan view of a beer tap extension according to the present invention;

FIG. 4 is a top, plan view of a beer tap extension according to the present invention;

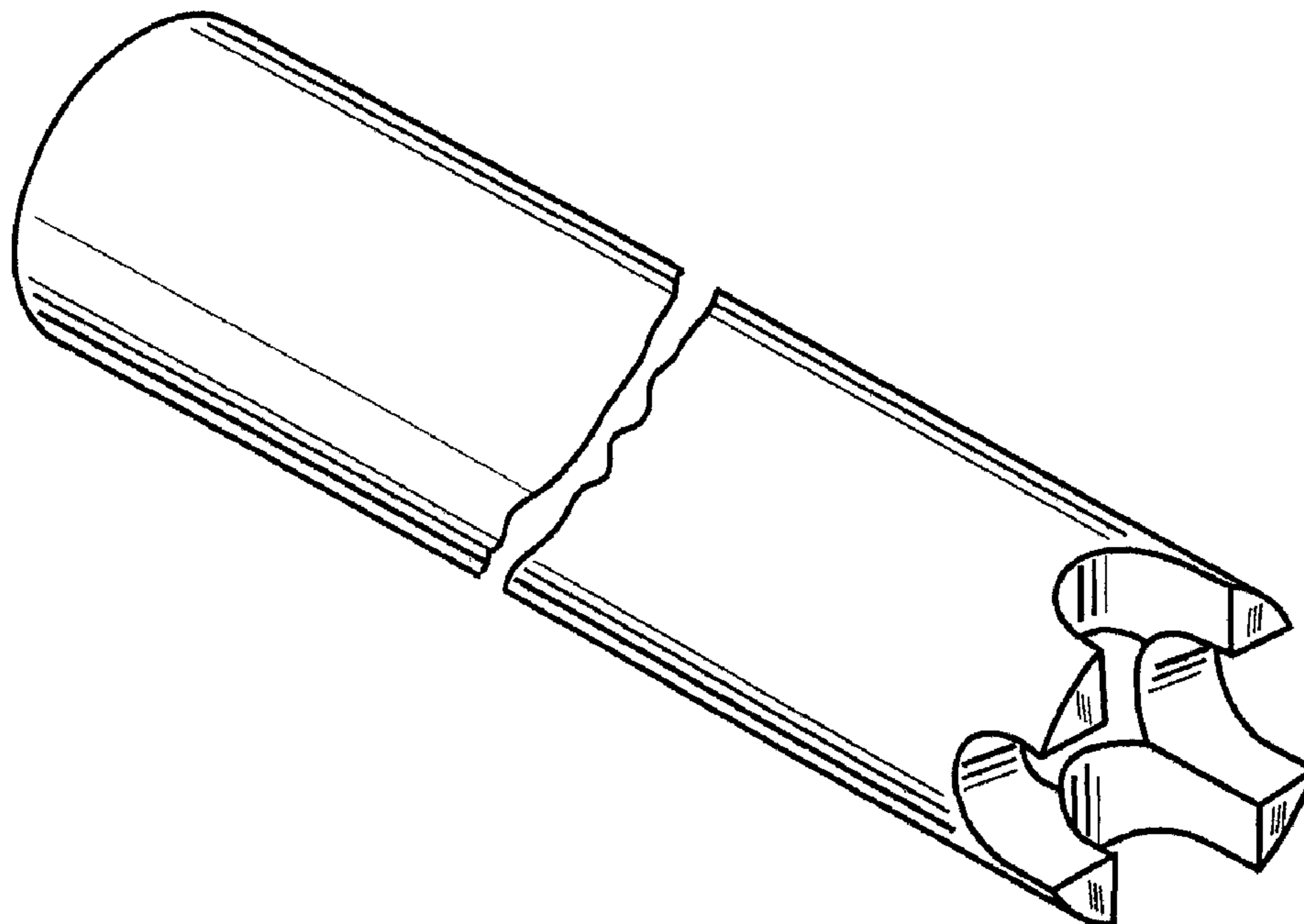
FIG. 5 is a full, sectional view of a beer tap extension according to the present invention taken along line 5—5 of FIG. 2;

FIG. 6 is a perspective view of an alternate embodiment of a beer tap extension according to the present invention; and,

FIG. 7 is a bottom, plan view of an alternate embodiment of a beer tap extension according to the present invention.

The break away lines in the drawings indicate no specific length.

1 Claim, 3 Drawing Sheets



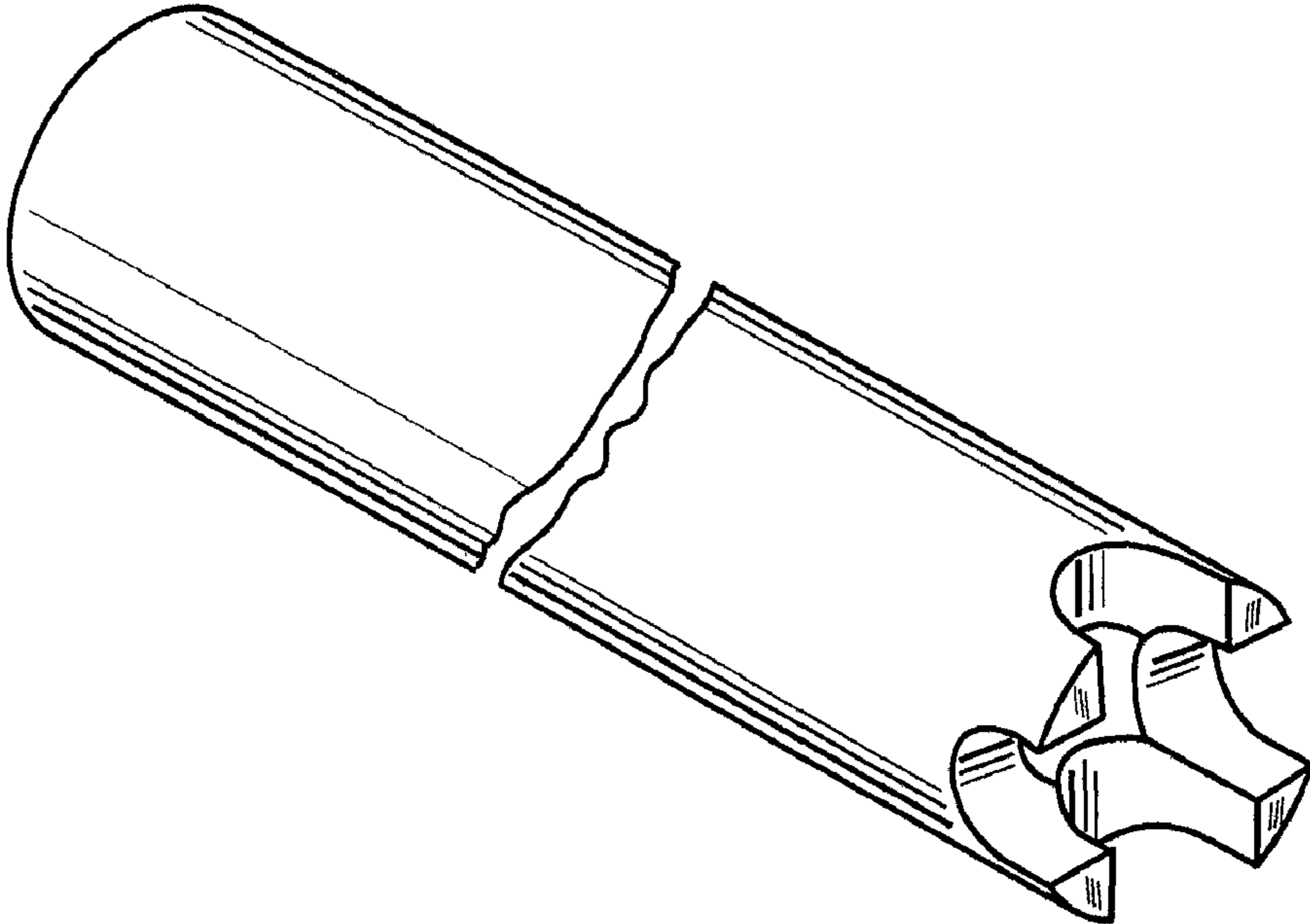


FIG. 1

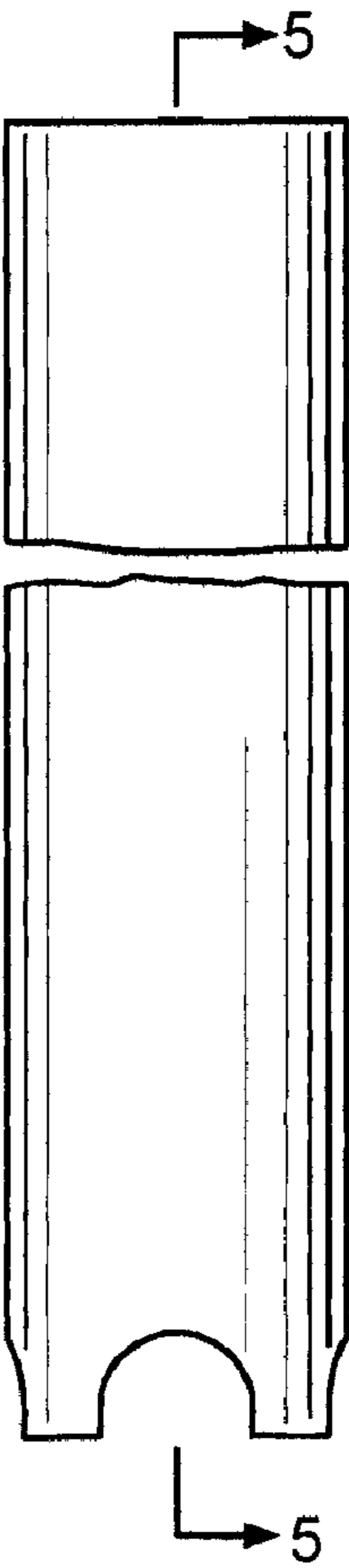


FIG. 2

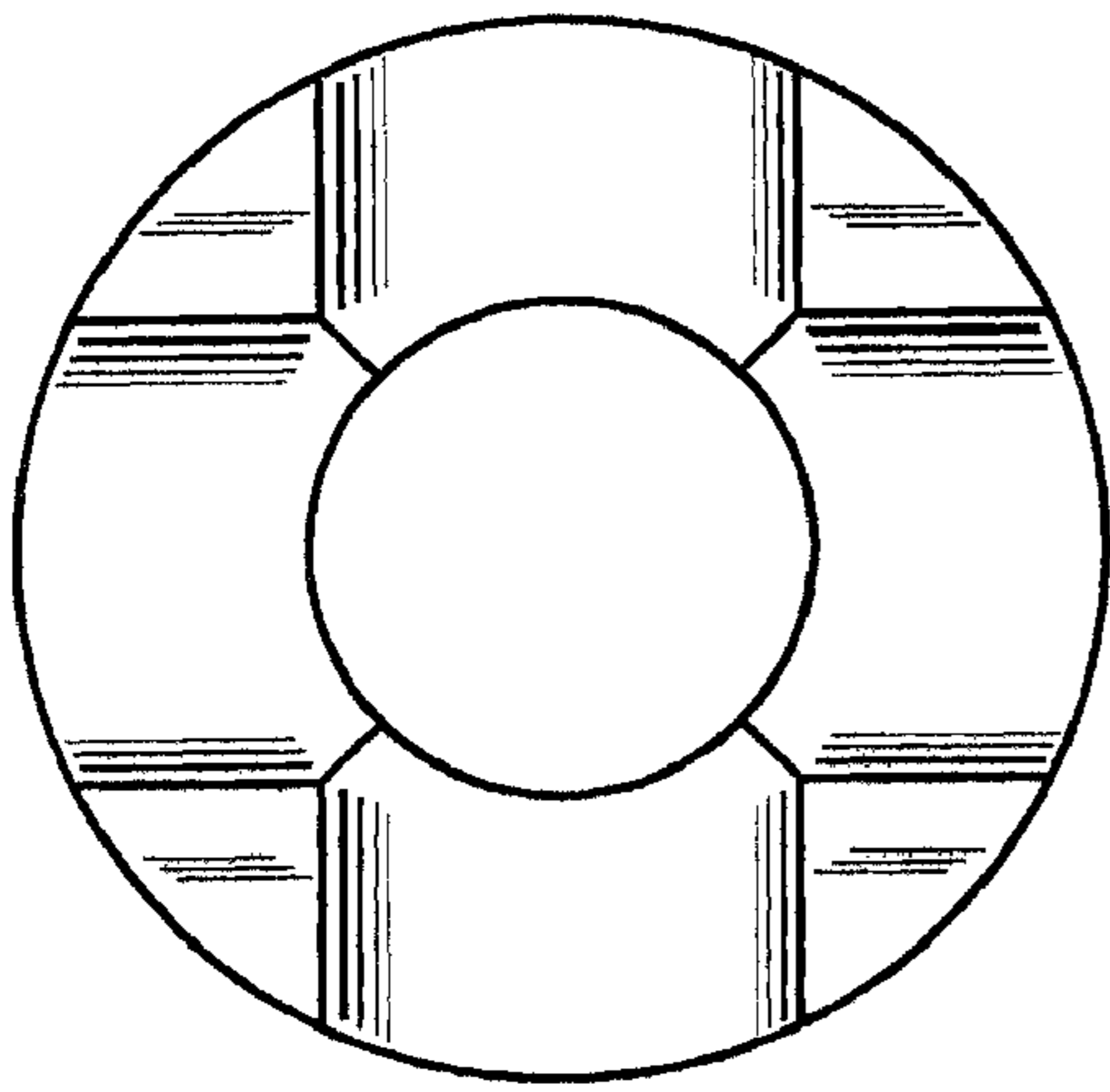


FIG. 3

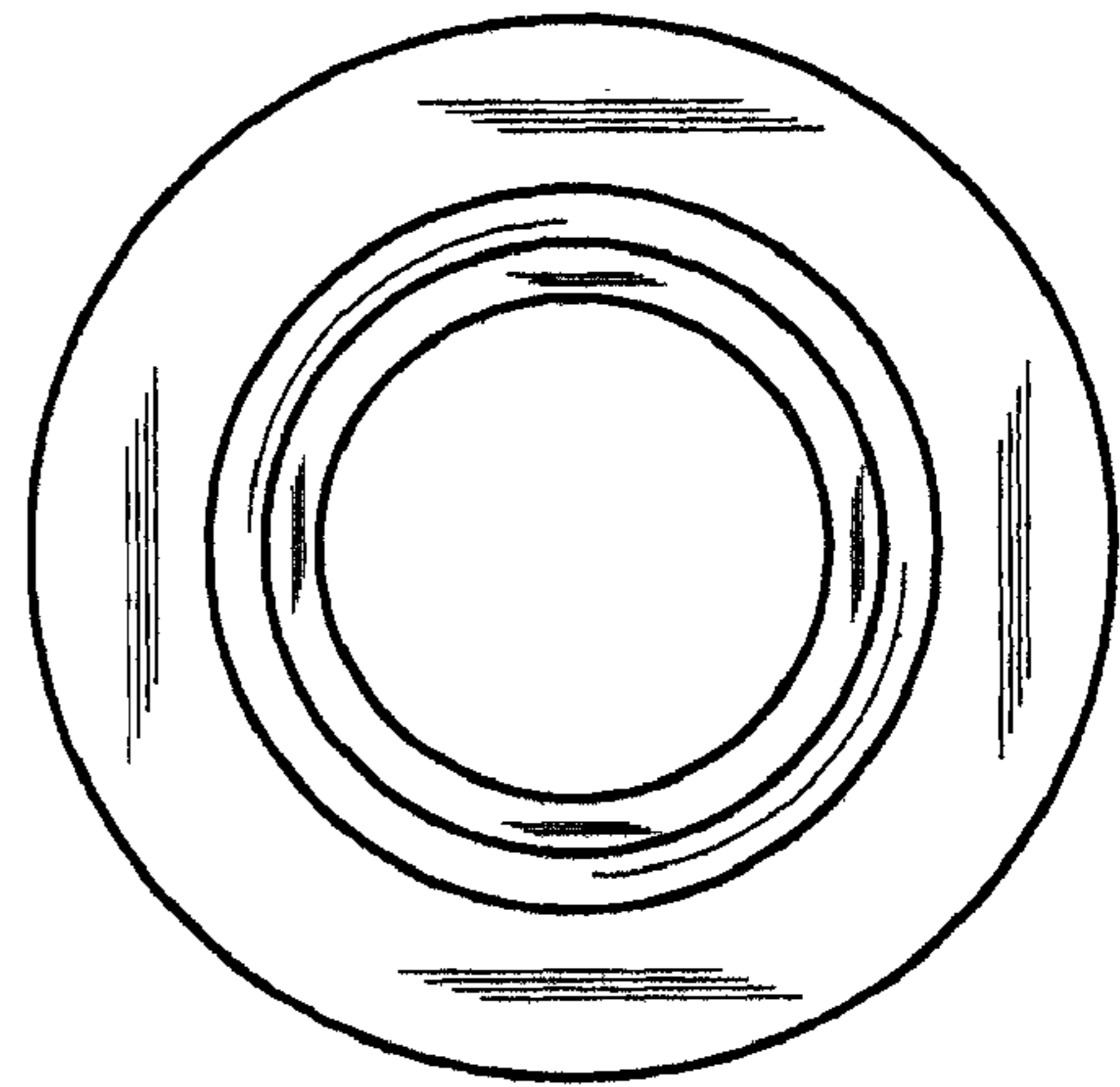


FIG. 4

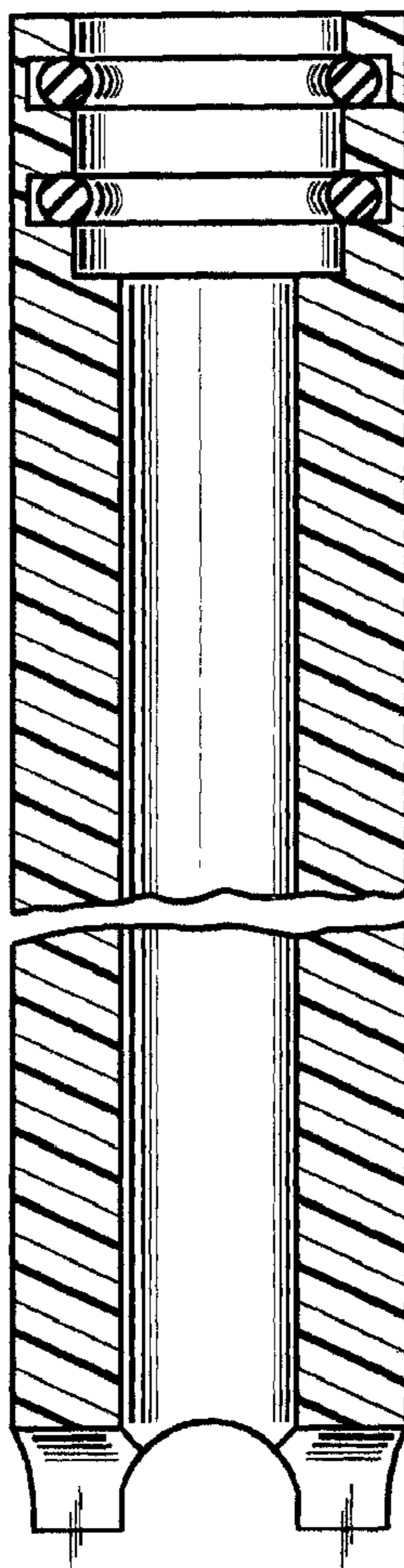
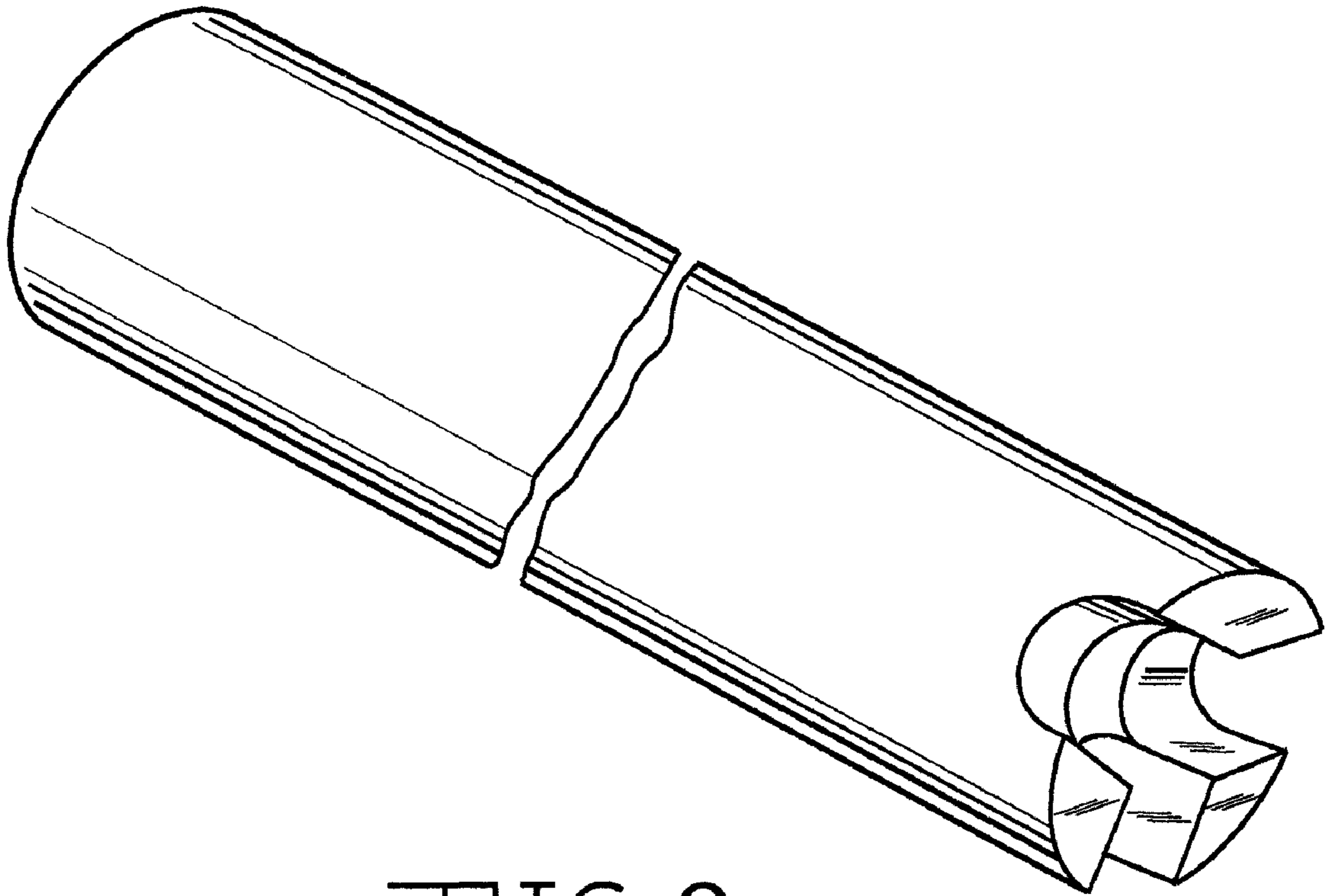
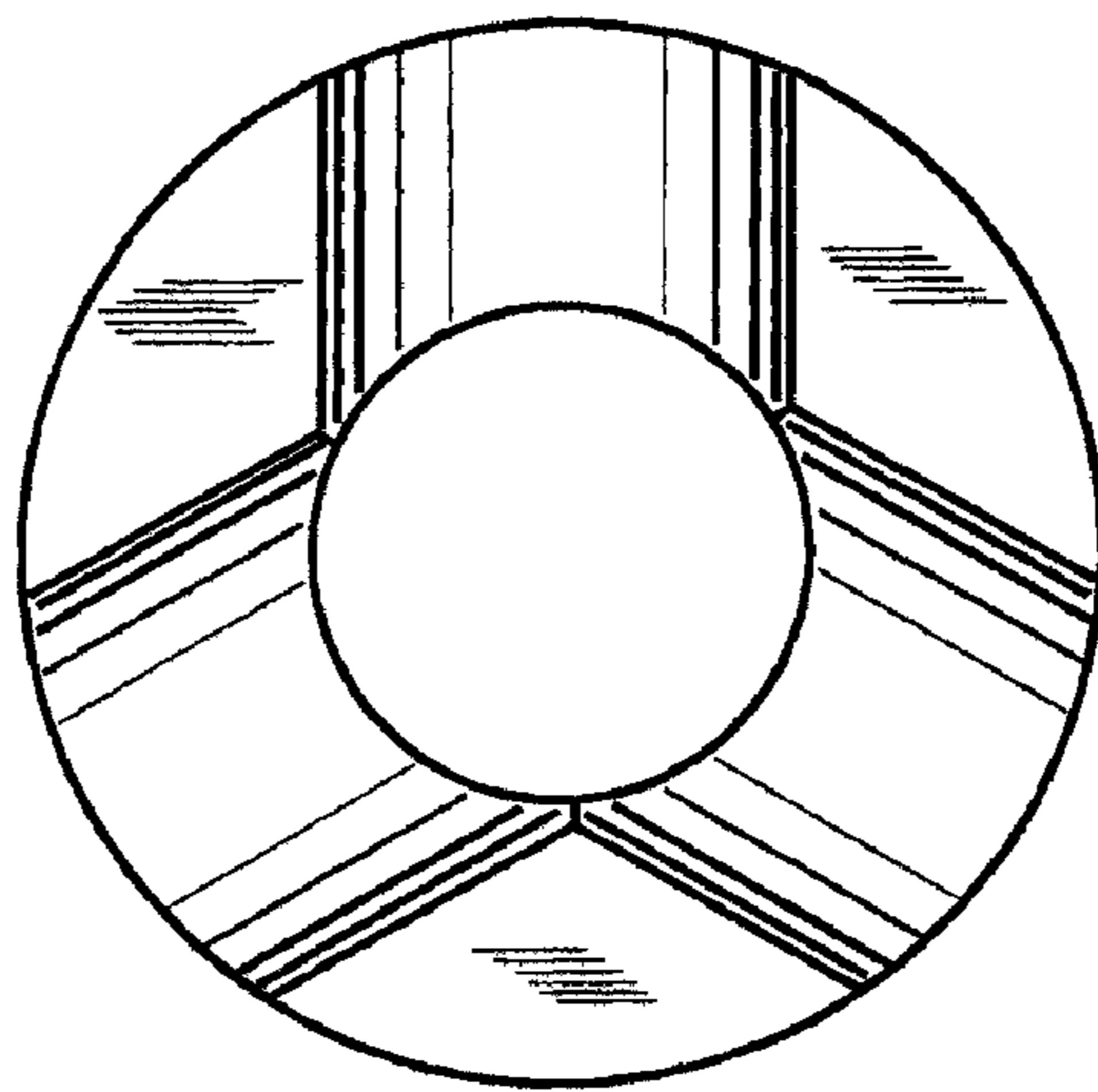


FIG. 5



—FIG. 6



—FIG. 7