



US00D612202S

(12) **United States Design Patent**  
**Hillebrenner**

(10) **Patent No.:** **US D612,202 S**  
(45) **Date of Patent:** **\*\* Mar. 23, 2010**

(54) **CUP**  
(75) Inventor: **William A. Hillebrenner**, Chicago, IL  
(US)  
(73) Assignee: **Solo Cup Operating Corporation**, Lake  
Forest, IL (US)

D197,313 S 1/1964 Wanderer  
3,126,139 A 3/1964 Schechter  
D198,139 S 5/1964 Edwards  
3,131,845 A 5/1964 Sherlock et al.  
3,139,213 A \* 6/1964 Edwards ..... 206/519  
D199,336 S 10/1964 Wanderer  
D199,579 S 11/1964 Davis

(\*\*) Term: **14 Years**

(21) Appl. No.: **29/337,677**

(Continued)

(22) Filed: **May 27, 2009**

FOREIGN PATENT DOCUMENTS

DE 1175564 8/1964

**Related U.S. Application Data**

(63) Continuation of application No. 29/337,667, filed on  
May 27, 2009.

(Continued)

(51) **LOC (9) Cl.** ..... **07-01**  
(52) **U.S. Cl.** ..... **D7/396.2; D7/509; D7/387**  
(58) **Field of Classification Search** ..... D7/509,  
D7/500, 396.2, 523, 532, 529; D9/744;  
215/387, DIG. 7; 220/675, 703, 592.16,  
220/592.17; 206/520, 519  
See application file for complete search history.

OTHER PUBLICATIONS

Full View Photo of Thermos taken approximately Dec. 11, 2008.

(Continued)

(56) **References Cited**

U.S. PATENT DOCUMENTS

168,063 A \* 9/1875 Taylor ..... 220/62  
D703,125 6/1902 Emrich  
D42,683 S 7/1912 Anderson  
D68,368 S 10/1925 Bell  
1,636,174 A 7/1927 Dolan et al.  
2,013,243 A 9/1935 Landon  
D109,474 S \* 5/1938 Connor ..... D34/1  
2,168,186 A 8/1939 Adamson  
D163,673 S 6/1951 Bliss  
2,629,534 A 2/1953 Reynolds  
2,731,189 A 1/1956 Moore  
2,745,586 A 5/1956 Thoma  
2,905,350 A 9/1959 Edwards  
3,009,603 A 11/1961 Stockdale  
3,085,730 A 4/1963 Fibish  
3,091,360 A 5/1963 Edwards  
D196,271 S 11/1963 Edwards

*Primary Examiner*—Robert M Spear  
*Assistant Examiner*—Cynthia Underwood  
(74) *Attorney, Agent, or Firm*—Banner & Witcoff, Ltd.

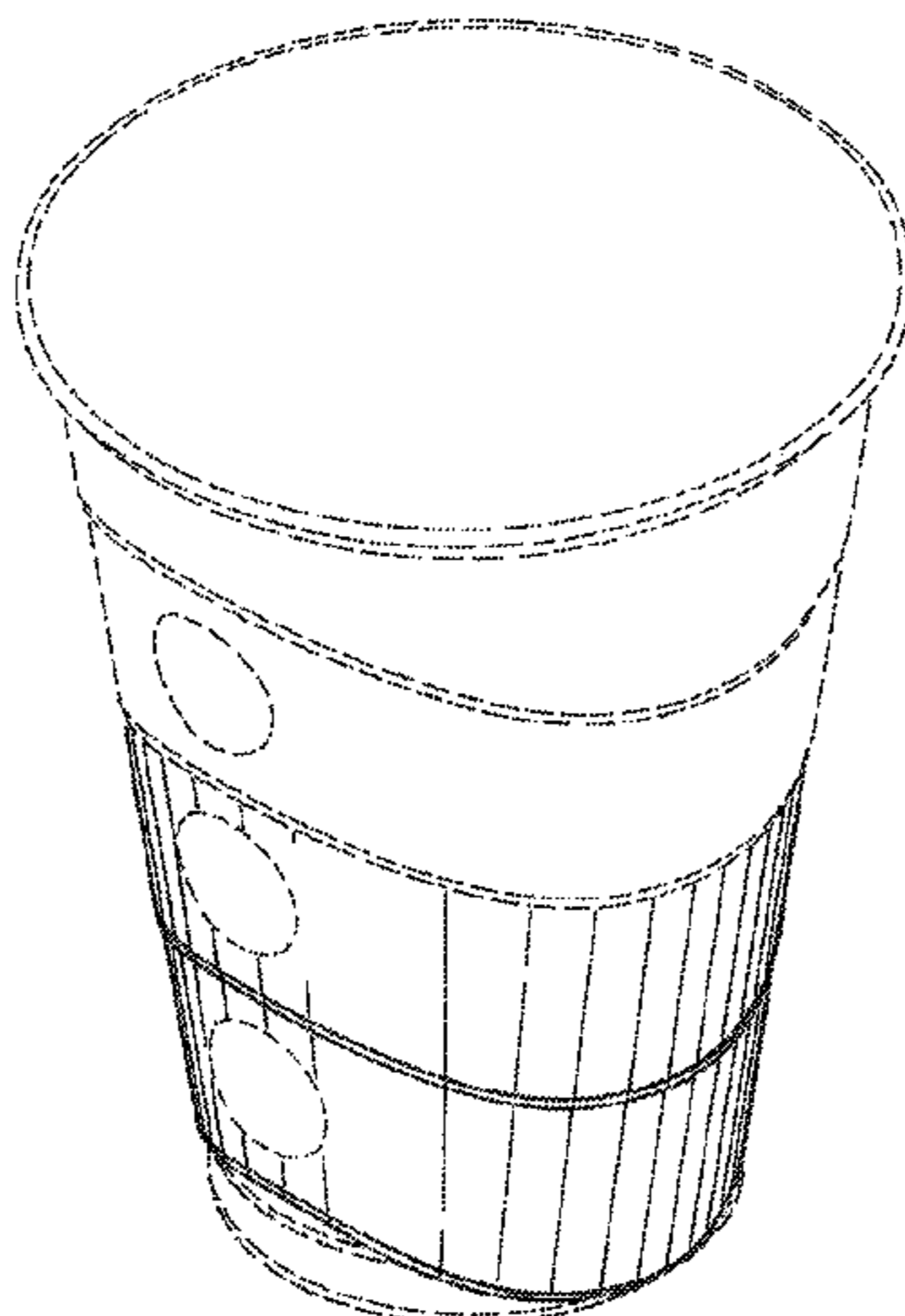
(57) **CLAIM**

The ornamental design for a cup, as shown and described.

**DESCRIPTION**

FIG. 1 is a front right perspective view showing our new  
design of a cup;  
FIG. 2 is a front view thereof;  
FIG. 3 is a right view thereof; and,  
FIG. 4 is a bottom view thereof.  
The broken lines shown in the drawings are for illustrative  
purposes only and form no part of the claimed design.

**1 Claim, 2 Drawing Sheets**



# US D612,202 S

Page 2

U.S. PATENT DOCUMENTS					
D204,947 S	5/1966	Benjamin	D448,242 S	9/2001	McDonough et al.
3,288,340 A	11/1966	Etal	D448,976 S	10/2001	McDonough et al.
3,342,370 A	9/1967	Johnson	D450,535 S	11/2001	McDonough et al.
D208,872 S	10/1967	Davis	D457,783 S	5/2002	Bodum
D210,067 S	2/1968	Abe	D460,696 S	7/2002	Goettner
D210,767 S	4/1968	Anglada	D461,368 S	8/2002	Durand
D210,853 S	4/1968	Anderson	D462,270 S	9/2002	Renz
3,375,954 A *	4/1968	Honkanen et al. .... 206/520	D471,763 S	3/2003	Hurlbut et al.
D211,514 S	6/1968	Amberg	6,554,154 B1 *	4/2003	Chauhan et al. .... 220/671
3,397,867 A	8/1968	Van't Hoff	6,575,321 B2	6/2003	Bourque et al.
D212,352 S *	10/1968	Davis ..... D7/530	D484,362 S	12/2003	Harris et al.
D213,094 S	1/1969	Davis	D486,036 S *	2/2004	Chuang ..... D7/529
D213,173 S	1/1969	Lockhart et al.	D488,384 S	4/2004	Murphy
D213,174 S	1/1969	Davis	6,722,514 B2	4/2004	Renz
3,437,253 A	4/1969	Davis et al.	6,749,075 B2	6/2004	Bourque et al.
3,519,165 A	7/1970	Hawley	D492,547 S	7/2004	Hsu
D220,031 S	3/1971	Donovan	6,814,248 B2	11/2004	Beck et al.
D223,999 S	6/1972	Klose	D499,934 S	12/2004	Smith et al.
D228,125 S	8/1973	Weiss	D499,935 S	12/2004	Smith et al.
D229,008 S	11/1973	Bateman	6,827,228 B2	12/2004	Headen et al.
D239,358 S	3/1976	Kjellqvist	D501,362 S	2/2005	Gauss
3,951,266 A	4/1976	Brewer	D502,877 S	3/2005	Stockwell et al.
4,049,187 A	9/1977	Florian	D504,593 S	5/2005	Smith et al.
4,052,037 A	10/1977	Mair et al.	D505,592 S	5/2005	Liu
4,061,782 A	12/1977	Baxter	D505,830 S	6/2005	Smith et al.
4,102,454 A	7/1978	Karevaara	D508,372 S	8/2005	Martinez-Lopez
4,131,226 A *	12/1978	Breiter et al. .... 228/198	D510,679 S	10/2005	Smith et al.
4,134,492 A	1/1979	Lucas	D511,647 S	11/2005	Smith et al.
4,169,537 A	10/1979	Sabreen et al.	D511,932 S	11/2005	Smith et al.
4,245,685 A	1/1981	Nemitz et al.	D512,326 S	12/2005	Stockwell et al.
4,420,081 A	12/1983	Dart	D514,380 S	2/2006	Smith et al.
D272,794 S	2/1984	Dart	D514,385 S	2/2006	Smith et al.
4,548,348 A	10/1985	Clements	D514,884 S	2/2006	Smith et al.
4,578,296 A	3/1986	Miyazaki et al.	D515,358 S	2/2006	Orr et al.
D285,032 S	8/1986	Alonzo	7,004,342 B2	2/2006	Bourque et al.
D293,869 S	1/1988	Durand	D516,378 S	3/2006	Smith et al.
D320,455 S	10/1991	Malcolm	D519,036 S	4/2006	Stockwell et al.
D320,859 S	10/1991	Malcolm	D519,786 S	5/2006	Betras
5,082,135 A	1/1992	DeCoster	D521,318 S	5/2006	Huang
D328,014 S	7/1992	DeCoster et al.	D521,803 S	5/2006	Bieger
5,185,499 A *	2/1993	Yahraus ..... 174/59	D526,841 S	8/2006	Webb
D333,704 S	3/1993	Malcolm	D526,847 S	8/2006	Freeman
5,275,277 A	1/1994	Gallegos	D527,583 S	9/2006	Freeman
D346,308 S	4/1994	Cautereels et al.	D528,365 S	9/2006	Hsu
5,346,095 A	9/1994	Deal	D528,863 S	9/2006	Hayes et al.
5,413,244 A	5/1995	Ramsey	D529,340 S	10/2006	Laib et al.
5,415,339 A	5/1995	Howard	D533,747 S	12/2006	Jin
5,423,160 A	6/1995	Rosen	D535,152 S	1/2007	Gluck
D368,234 S	3/1996	Dickinson et al.	7,185,783 B1	3/2007	Miller
5,634,569 A	6/1997	DeCoster	D542,332 S *	5/2007	Miyahara ..... D18/4.1
5,678,726 A	10/1997	Porteous	7,213,719 B2	5/2007	Pedmo et al.
D387,619 S	12/1997	Gross et al.	D545,625 S	7/2007	Webb
5,712,767 A *	1/1998	Koizumi ..... 361/761	D546,126 S	7/2007	Bhavnani
5,772,111 A	6/1998	Kirsch	D552,420 S	10/2007	Liu
5,775,577 A *	7/1998	Titus ..... 229/403	D556,513 S	12/2007	Yelland
D399,099 S	10/1998	Cousins	D557,562 S	12/2007	Kramer
5,850,935 A	12/1998	Luburic et al.	D558,515 S *	1/2008	Holub ..... D7/396.2
D407,270 S	3/1999	Wilson	D559,039 S	1/2008	Freeman
D410,174 S	5/1999	Sheu	D559,040 S	1/2008	Freeman
D413,067 S	8/1999	Haley	D560,437 S	1/2008	Karam
5,950,917 A	9/1999	Smith	D562,075 S	2/2008	Mehta
D416,757 S	11/1999	Ginuntoli	D563,173 S	3/2008	Karam
6,109,518 A	8/2000	Mueller et al.	D565,902 S	4/2008	Bodum
D433,337 S	11/2000	Cautereels	D567,026 S	4/2008	Karam
D436,295 S	1/2001	Furman et al.	D568,106 S	5/2008	Karam
D441,252 S *	5/2001	Gitschlag ..... D7/396.2	D569,190 S	5/2008	Karam
D443,475 S	6/2001	Miura	D572,534 S	7/2008	Karam
D444,672 S	7/2001	Miura	D572,977 S	7/2008	Karam
6,264,068 B1	7/2001	Ours et al.	D575,110 S	8/2008	Karam
D446,684 S	8/2001	Price	D575,111 S *	8/2008	Karam ..... D7/532
D446,687 S	8/2001	Furman et al.	D575,987 S *	9/2008	Williams ..... D7/523
			D577,547 S	9/2008	Willat et al.
			D577,959 S *	10/2008	Sandberg ..... D7/523

# US D612,202 S

Page 3

---

7,552,841	B2 *	6/2009	Hollis et al. ....	220/703	DE	4419161	12/1995
2003/0157224	A1	8/2003	Westserhof et al.		DE	29802377	6/1998
2004/0045974	A1	3/2004	Gruber et al.		EP	0371918	6/1990
2005/0061821	A1	3/2005	Smith et al.		FR	2207836	6/1974
2005/0236468	A1 *	10/2005	Sadlier .....	229/403	GB	395996	7/1933
2005/0279728	A1	12/2005	Finlay et al.		GB	1096451	12/1967
2006/0076395	A1	4/2006	Hayes et al.		GB	1251595	10/1971
2006/0091102	A1	5/2006	Bourque et al.		GB	1461394	1/1977
2006/0207962	A1	9/2006	Coley, Jr. et al.		GB	2352612	2/2001
2006/0243699	A1	11/2006	Smith				
2007/0084822	A1	4/2007	Bohen et al.				
2009/0139890	A1 *	6/2009	Hatcher .....	206/457			

## FOREIGN PATENT DOCUMENTS

DE 1216139 5/1966

## OTHER PUBLICATIONS

Partial View Photo of Thermos taken approximately Dec. 11, 2008.

\* cited by examiner

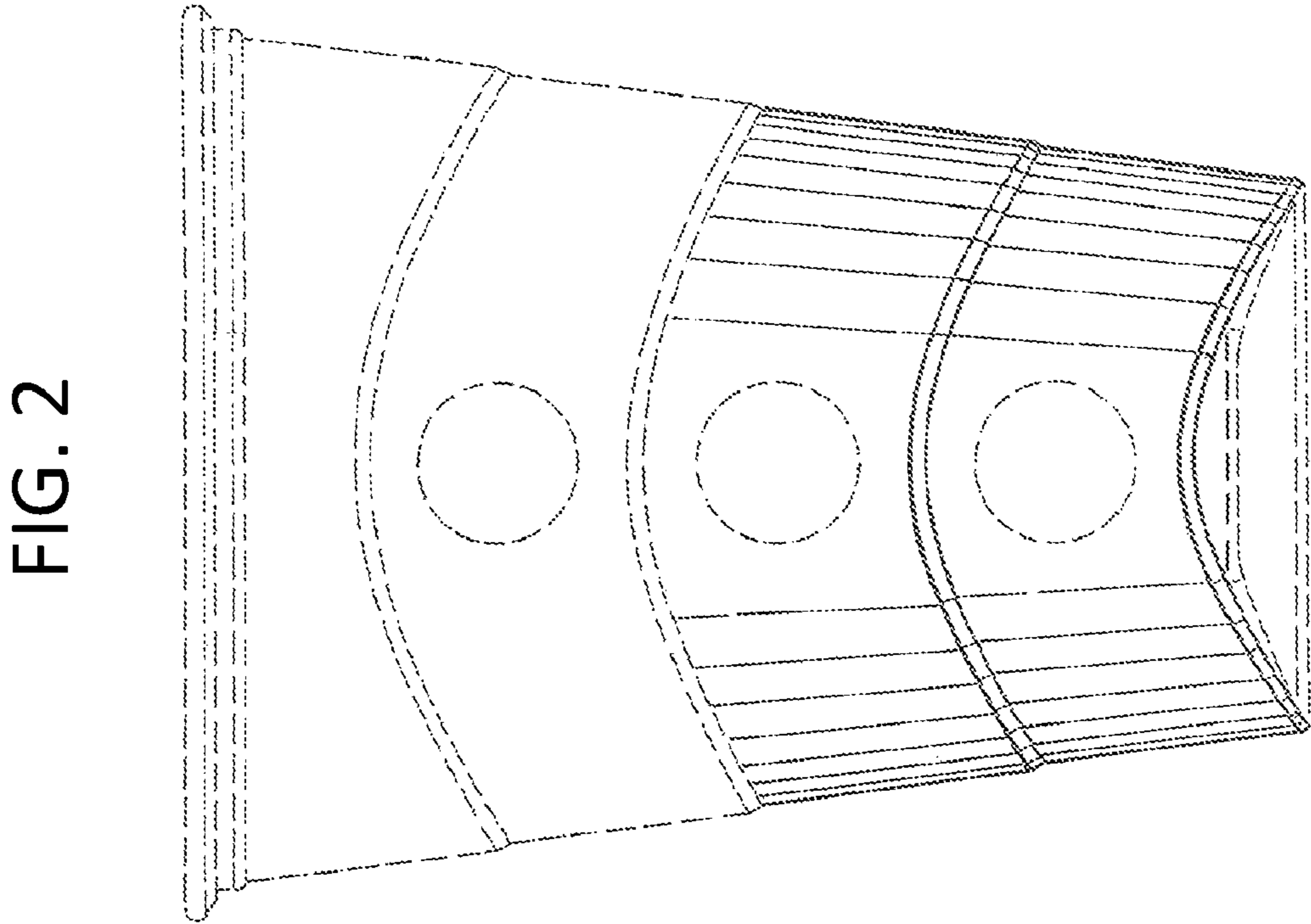


FIG. 2

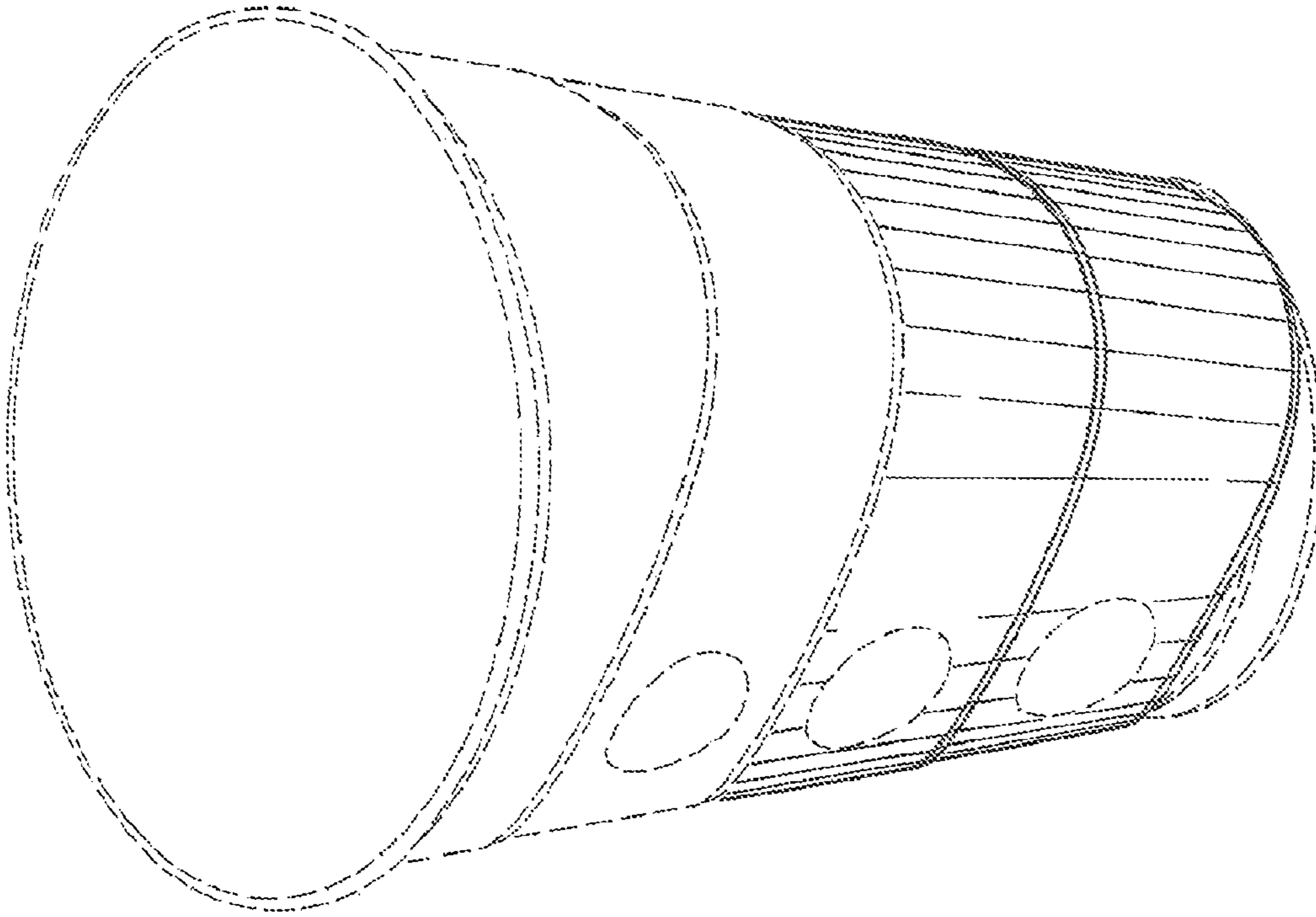


FIG. 1

FIG. 3

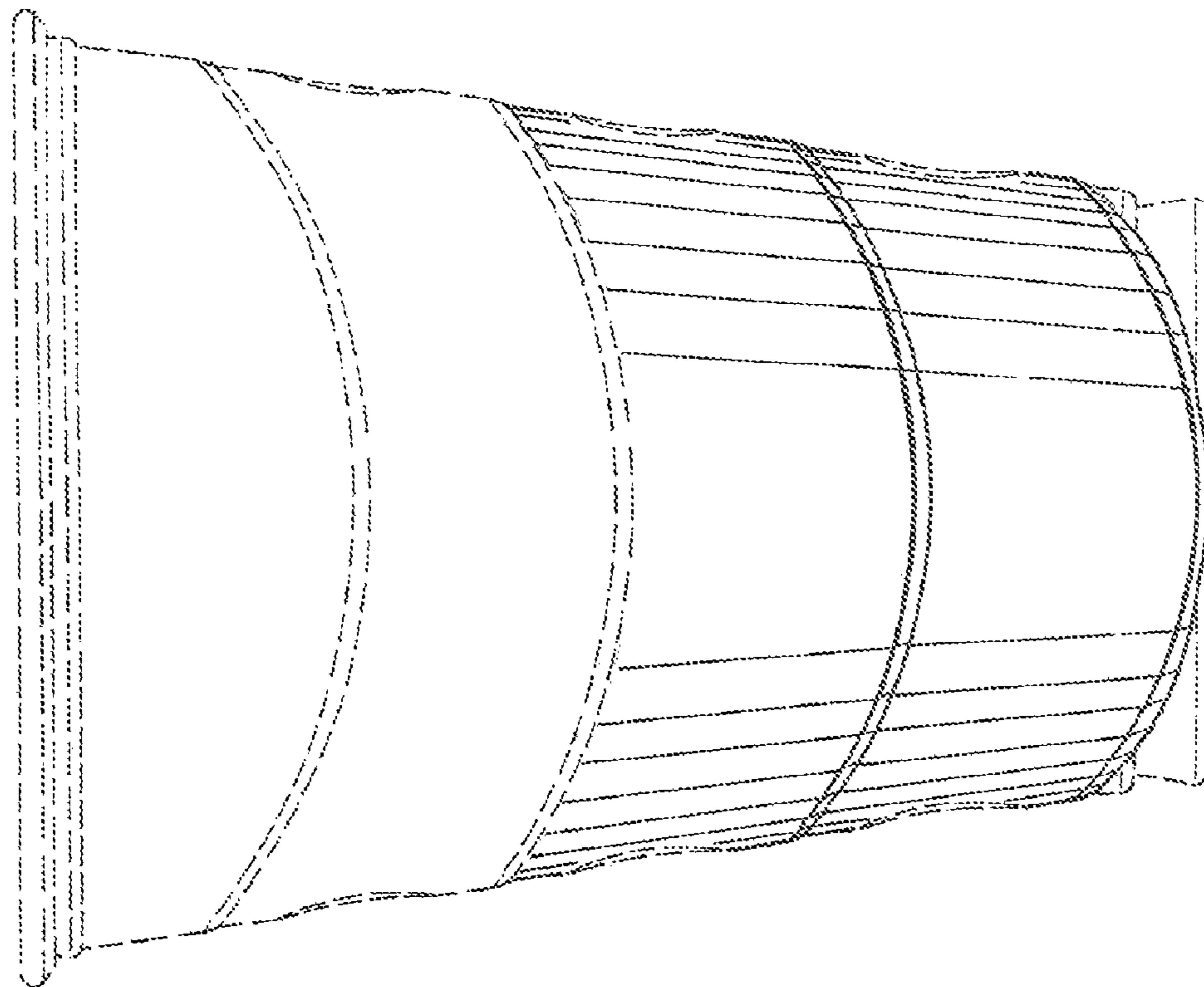


FIG. 4

